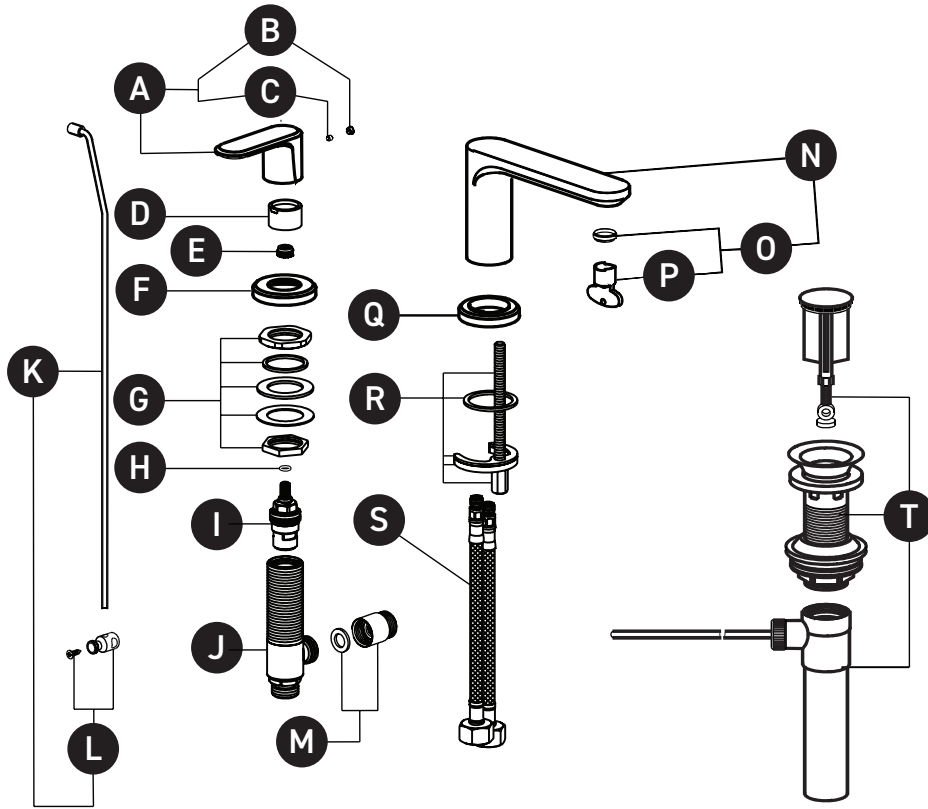


ORDER BY PART NUMBER

## ILLUSTRATED PARTS

### LV102

Meda™ Widespread Lavatory Faucet



ID	Kit Number	Finish
A	ZZ990340*	See below
B	ZZ933710	N/A
C	ZZ940630	N/A
D	ZZ986080*	See below
E	ZZ933300	N/A
F	ZZ990350*	See below
G	ZZ933480	N/A
H	ZZ946640	N/A
I	ZZ96225004 CLOCKWISE	N/A
	ZZ96224004 COUNTER CLOCKWISE	N/A
J	ZZ93150019 (H)	N/A
	ZZ93151019 (C)	N/A
K	ZZ969820*	See below
L	ZZ933430	N/A
M	ZZ961380	N/A
N	ZZ990370*	See below
O	ZZ965760	N/A
P	ZZ965750	N/A
Q	ZZ990360*	See below
R	ZZ986100	N/A
S	ZZ986110	N/A
T	ZA107550*	See below

\*Finish Determined by Suffix

Finish	Description
APC	Polished Chrome
PN	Polished Nickel
STN	Satin Nickel

For warranty or additional information, contact:

U.S.A.  
houseofrohl.com/support  
1-800-777-9762

QUEBEC / MARITIMES / WESTERN CANADA  
houseofrohl.ca/support  
1-866-473-8442

ONTARIO  
houseofrohl.ca/support  
1-800-287-5354

Riobel

PERRIN & ROWE  
LONDON



victoria ⊕ albert®

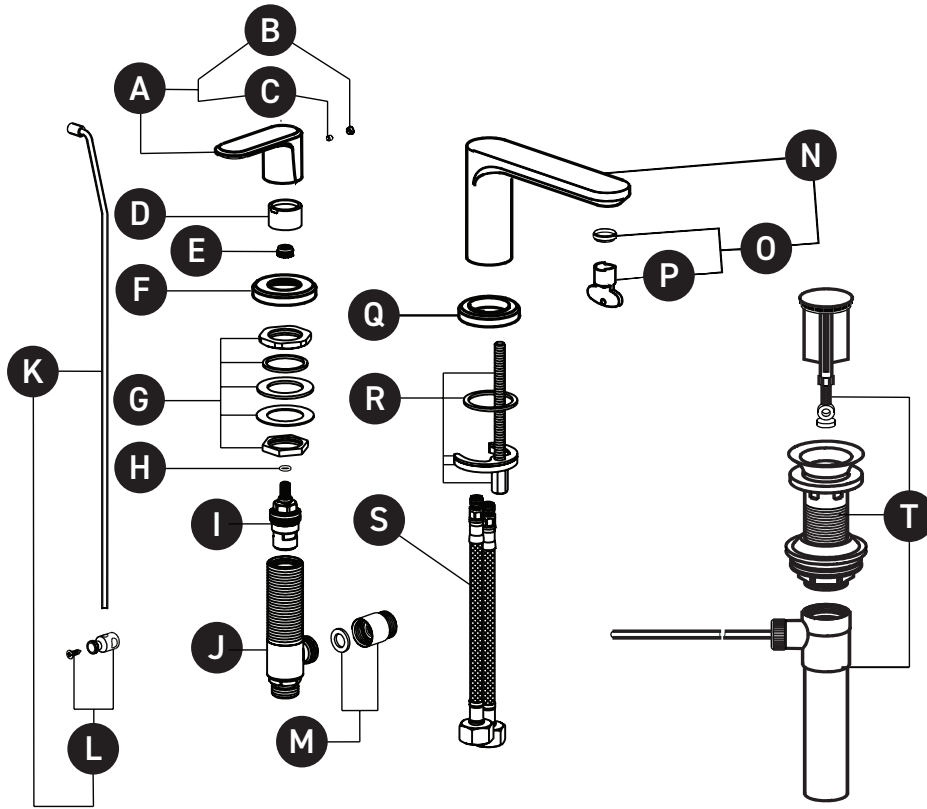
ROHL

**VEUILLEZ EFFECTUER VOTRE COMMANDE  
PAR NO DE RÉFÉRENCE**

## ILLUSTRATIONS DES PIÈCES

### LV102

Robinet de lavabo espacé Meda™



ID	Référence du kit	Finition
A	ZZ990340*	Voir ci-dessous
B	ZZ933710	N/A
C	ZZ940630	N/A
D	ZZ986080*	Voir ci-dessous
E	ZZ933300	N/A
F	ZZ990350*	Voir ci-dessous
G	ZZ933480	N/A
H	ZZ946640	N/A
I	ZZ96225004 CLOCKWISE	N/A
J	ZZ96224004 COUNTER CLOCKWISE	N/A
J	ZZ93150019 (H)	N/A
J	ZZ93151019 (C)	N/A
K	ZZ969820*	Voir ci-dessous
L	ZZ933430	N/A
M	ZZ961380	N/A
N	ZZ990370*	Voir ci-dessous
O	ZZ965760	N/A
P	ZZ965750	N/A
Q	ZZ990360*	Voir ci-dessous
R	ZZ986100	N/A
S	ZZ986110	N/A
T	ZA107550*	Voir ci-dessous

**\*Finition déterminée par le Suffixe**

Finition	Description
APC	Laiton poli
PN	Nickel poli
STN	Nickel satiné

**Pour la garantie ou des informations supplémentaires, contactez:**

U.S.A.  
houseofrohl.com/support  
1-800-777-9762

QUÉBEC / MARITIMES / OUEST CANADIEN  
houseofrohl.ca/support  
1-866-473-8442

ONTARIO  
houseofrohl.ca/support  
1-800-287-5354

Riobel

PERRIN & ROWE  
LONDON



victoria ⊕ albert®

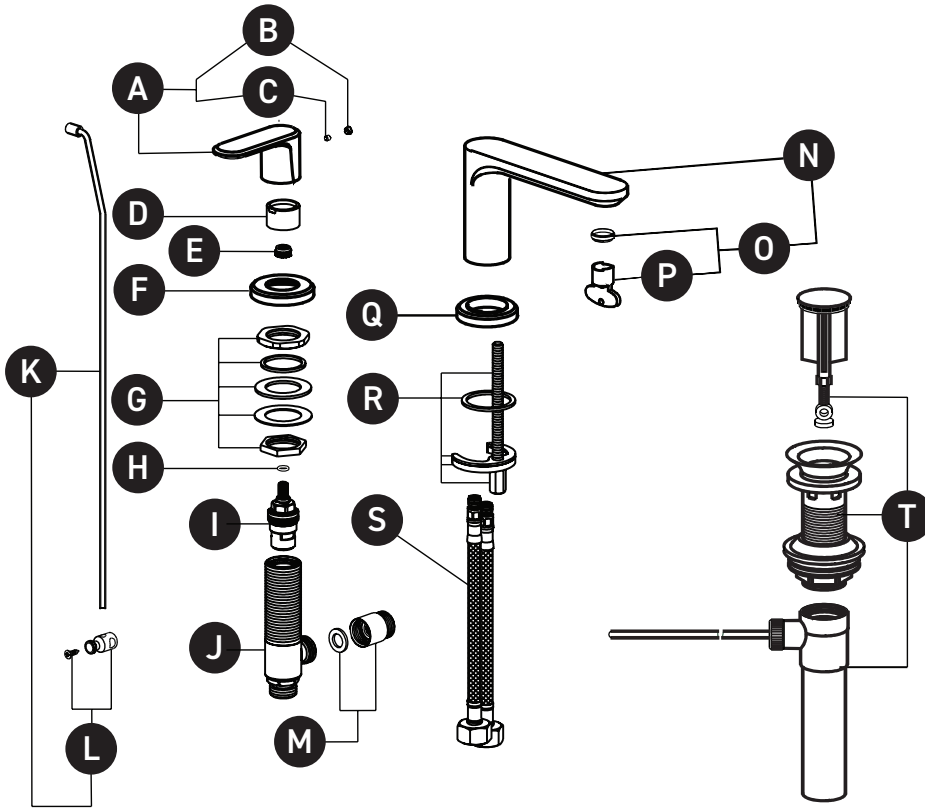
ROHL

PEDIR POR NÚMERO DE REFERENCIA

## PIEZAS ILUSTRADAS

**LV102**

Grifo para lavabo extendido Meda™



ID	Referencia del kit	Acabado
A	ZZ990340*	Ver más abajo
B	ZZ933710	N/A
C	ZZ940630	N/A
D	ZZ986080*	Ver más abajo
E	ZZ933300	N/A
F	ZZ990350*	Ver más abajo
G	ZZ933480	N/A
H	ZZ946640	N/A
I	ZZ96225004 CLOCKWISE	N/A
J	ZZ96224004 COUNTER CLOCKWISE	N/A
K	ZZ93150019 (H)	N/A
L	ZZ93151019 (C)	N/A
M	ZZ969820*	Ver más abajo
N	ZZ933430	N/A
O	ZZ961380	N/A
P	ZZ990370*	Ver más abajo
Q	ZZ965760	N/A
R	ZZ965750	N/A
S	ZZ990360*	Ver más abajo
T	ZZ986100	N/A
	ZZ986110	N/A
	ZA107550*	Ver más abajo

\*Acabado determinado por el sufijo

Acabado	Descripción
APC	Cromo pulido
PN	Níquel pulido
STN	Níquel satinado

Para garantía o información adicional, comuníquese con:

U.S.A.  
houseofrohl.com/support  
1-800-777-9762

QUEBEC / MARITIMOS / CANADA OCCIDENTAL  
houseofrohl.ca/support  
1-866-473-8442

ONTARIO  
houseofrohl.ca/support  
1-800-287-5354

Riobel

PERRIN & ROWE  
LONDON



victoria ⊕ albert®

ROHL