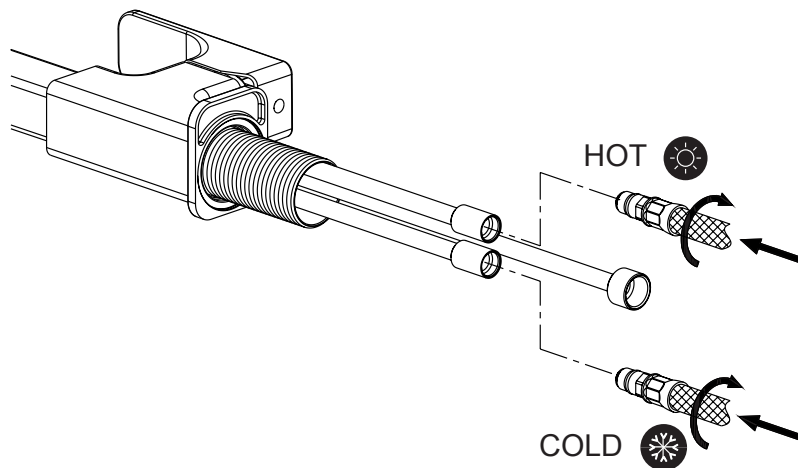


OPERATING CONDITIONS

- Minimum dynamic pressure..... 7.0 PSI
- Recommended operational pressure (static)..... 14.0 - 70.0 PSI
(ATTENTION: when pressure exceeds 70.0 PSI, we recommend the installation of a pressure reducer)
- Maximum operational pressure (static)..... 150 PSI
- Maximum test pressure (static)..... 200 PSI
- Maximum hot water temperature..... 170° F
- Recommended hot water temperature..... 140° F (for safety and energy saving)
- Hot water connection..... left
- Cold water connection..... right

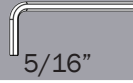
DATOS TÉCNICOS

- Presión dinámica mínima..... 7.0 PSI
- Presión de trabajo recomendada (estática)..... 14.0 - 70.0 PSI
(Nota: para presiones superiores a los 70.0 PSI les recomendamos instalar un reductor de presión)
- Presión máxima de trabajo (estática)..... 150 PSI
- Presión máxima de prueba (estática)..... 200 PSI
- Temperatura máxima agua caliente..... 170° F
- Temperatura aconsejada agua caliente 140° F (para seguridad y ahorrar energía)
- Conexión agua caliente..... izquierda
- Conexión agua fría derecha

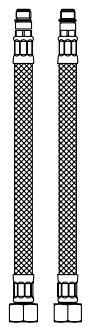
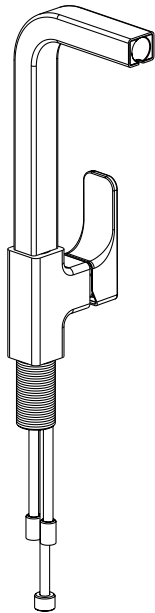




Not Included Tools



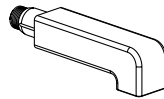
Included Parts



B1



B2



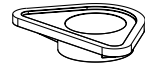
E1



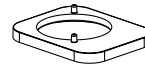
F1



G1



C1



D1



H1



A1



A2

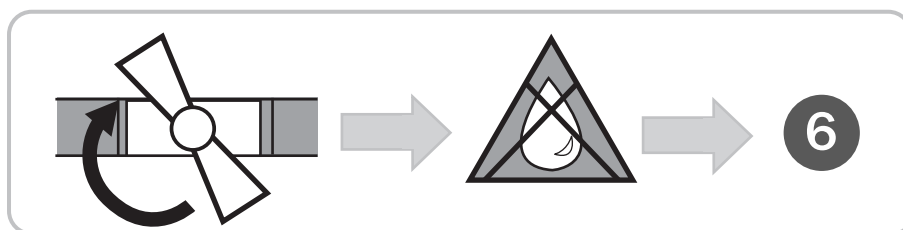
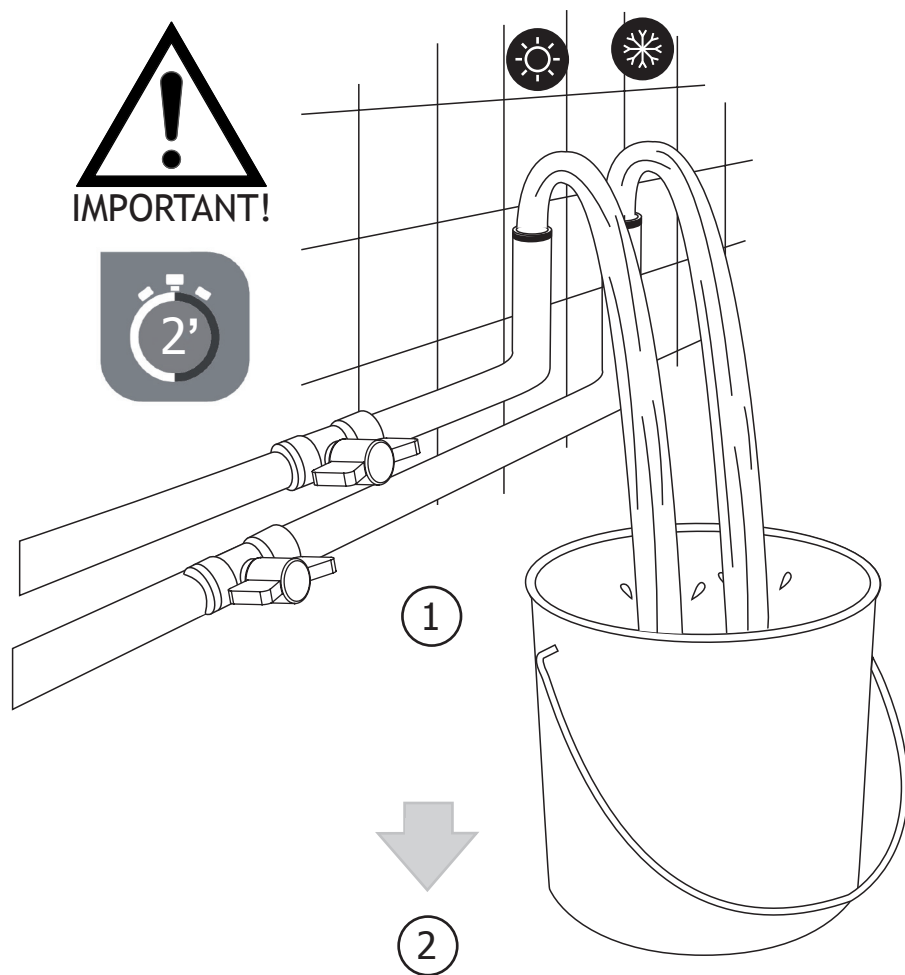


A3

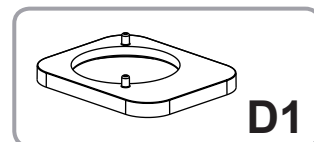
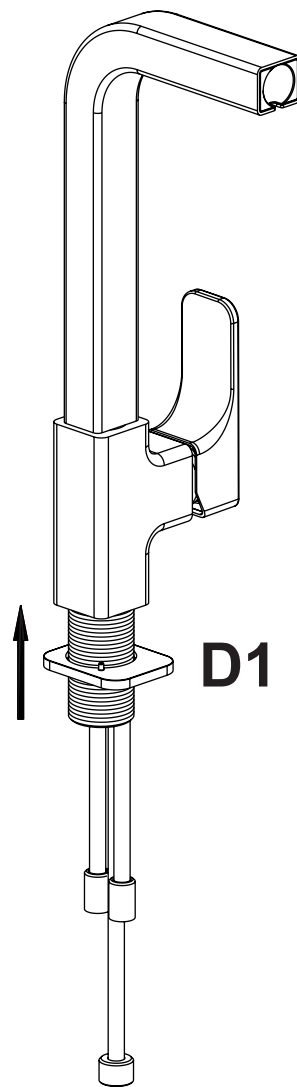


A4

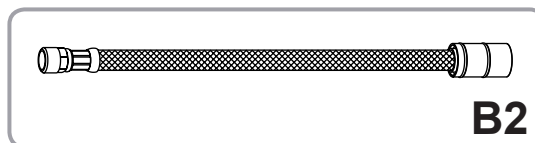
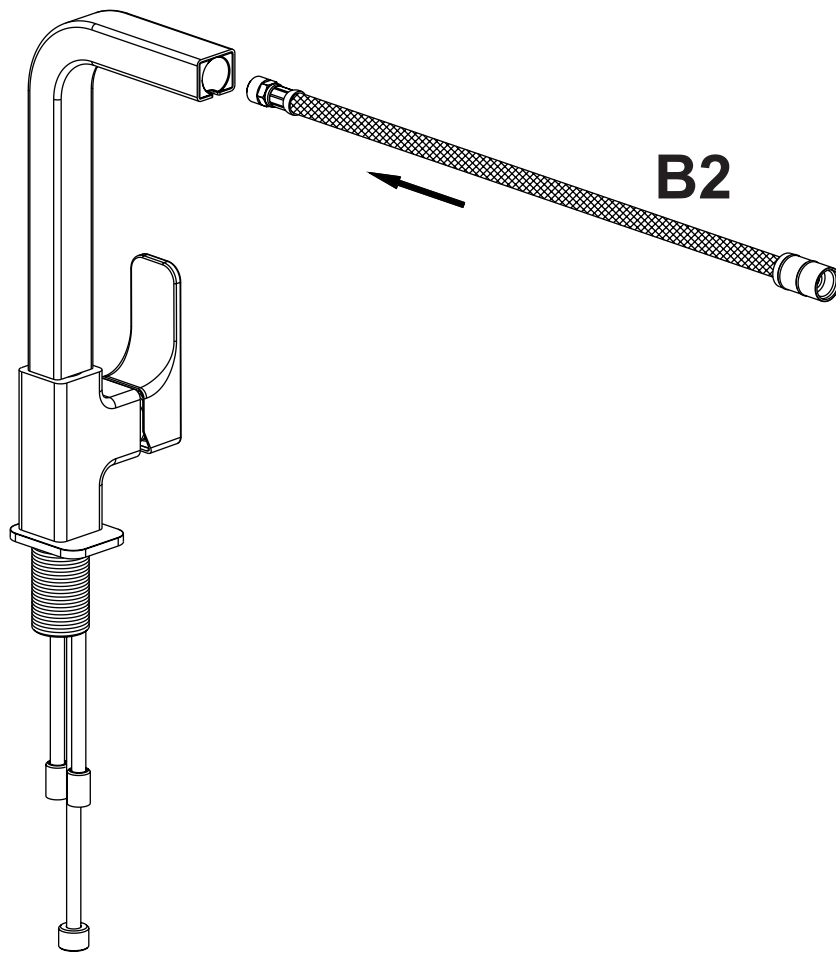
Flush hot and cold water lines before faucet installation.



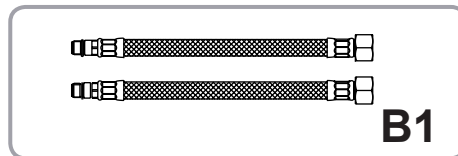
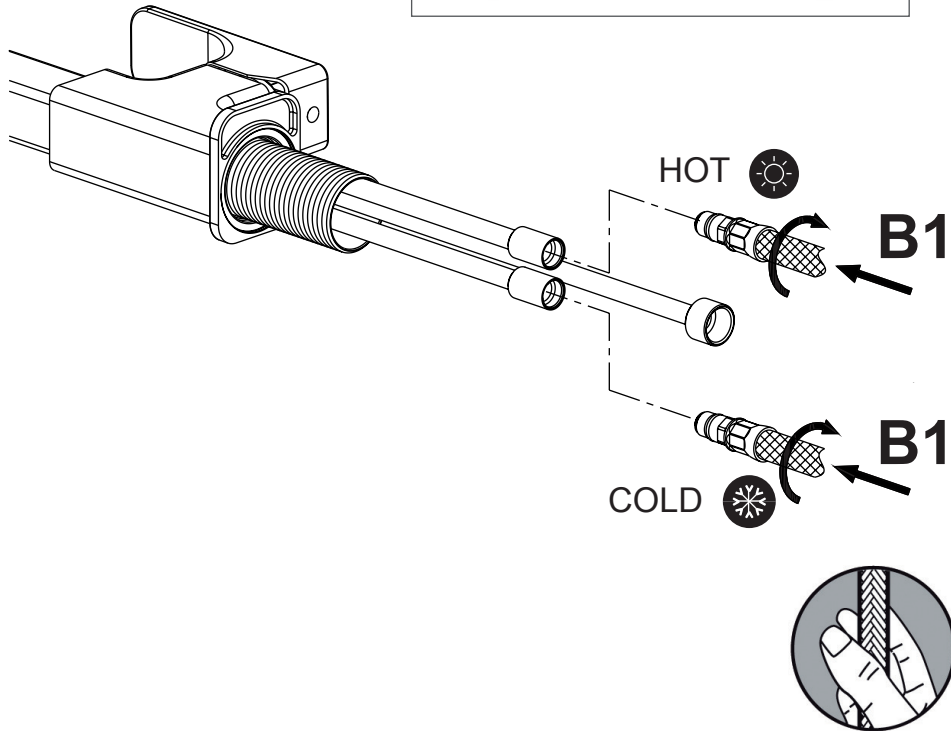
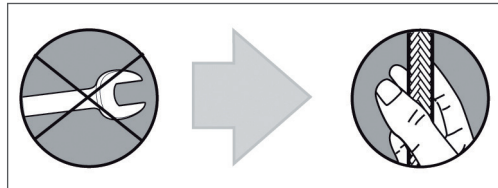
Install the base “D1”.



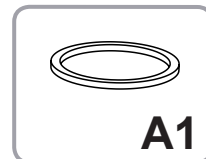
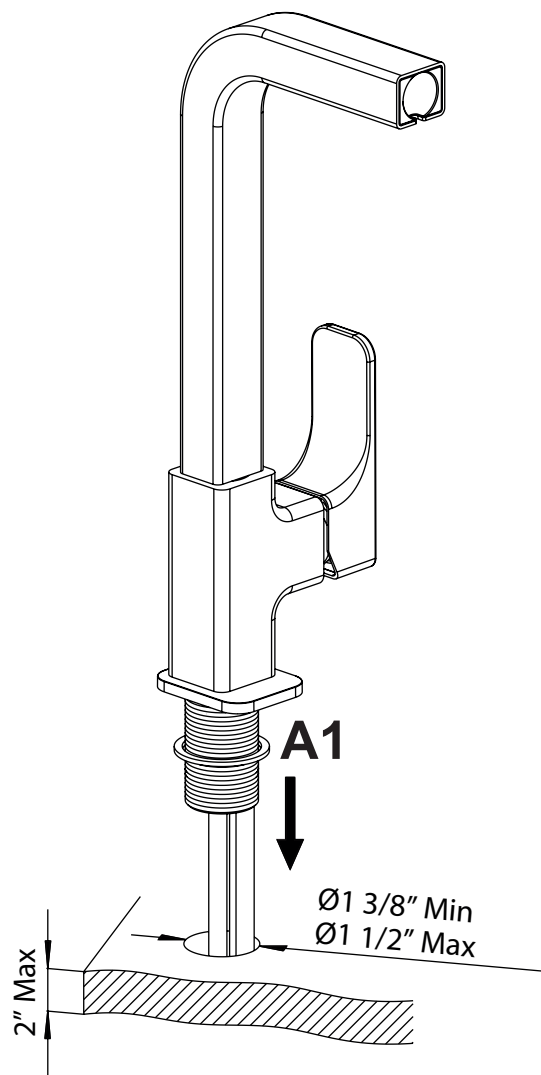
Guide handspray hose "B2" through top side of faucet body.



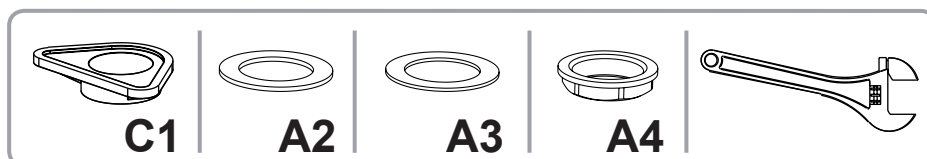
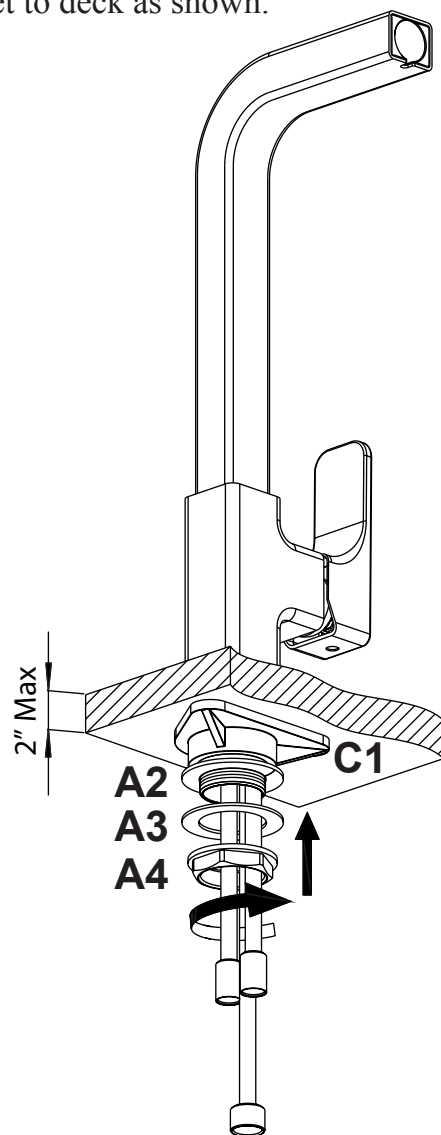
Thread in hot and cold water supply lines "B1" by rotating lines by hand only.



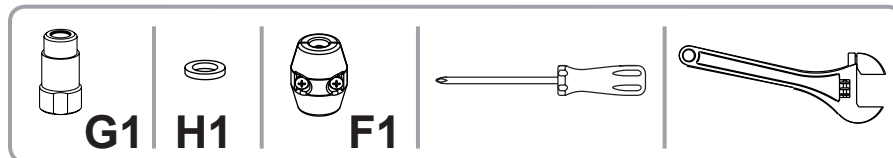
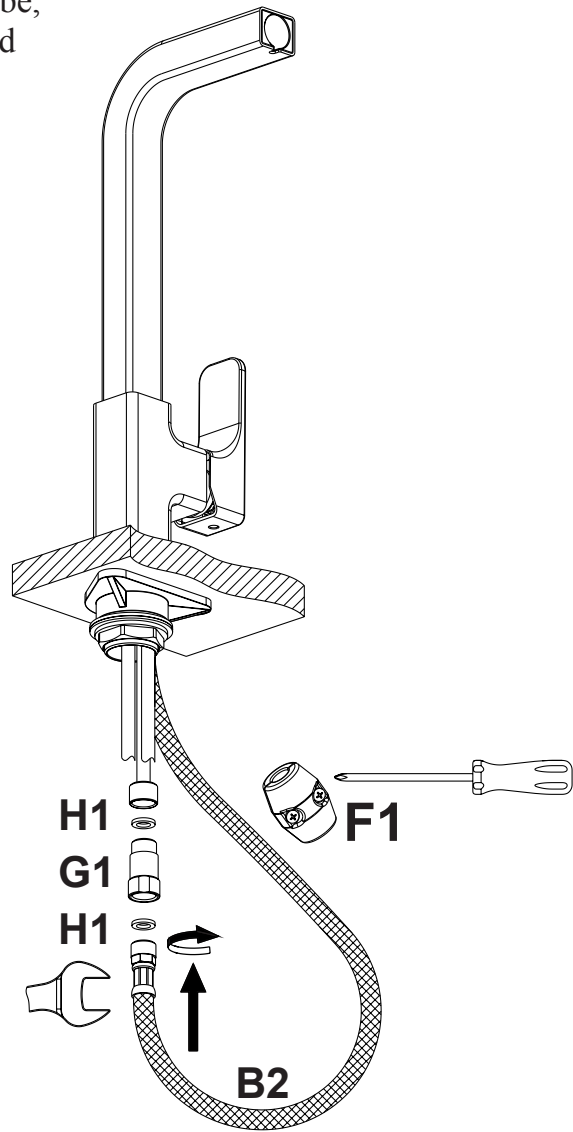
Install faucet into deck, fitting "A1" washer.



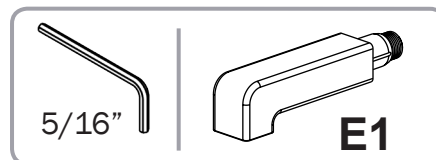
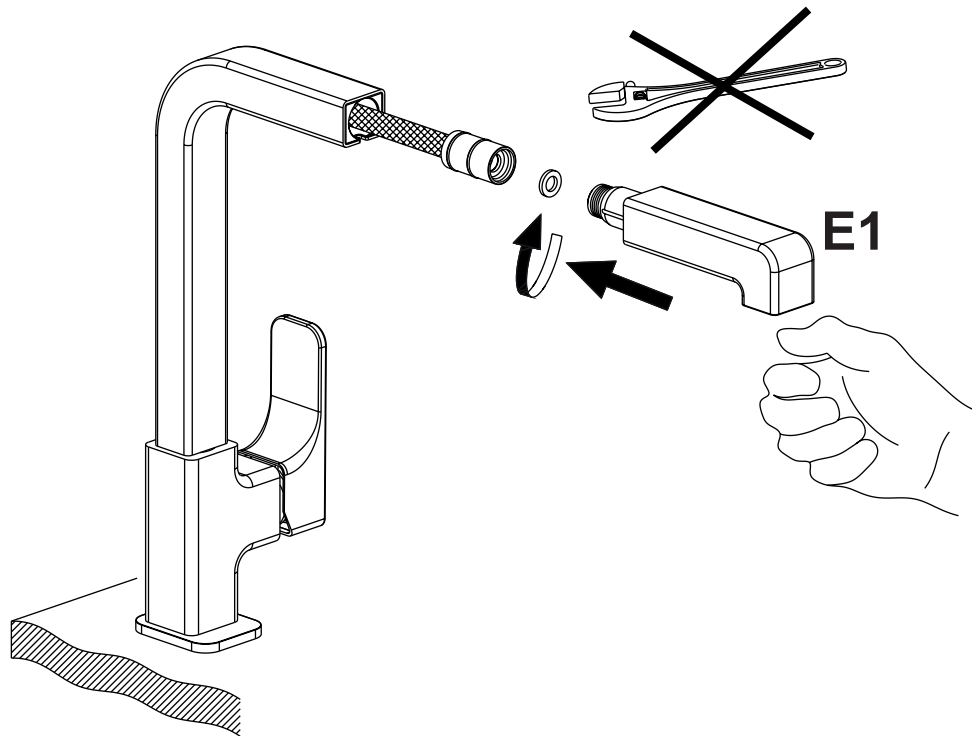
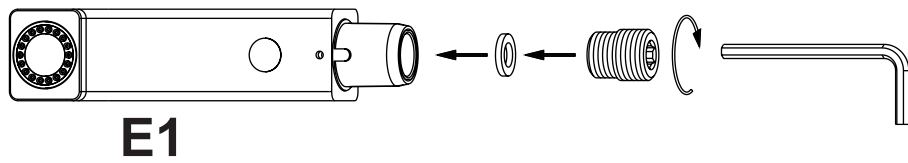
Secure faucet to deck as shown.



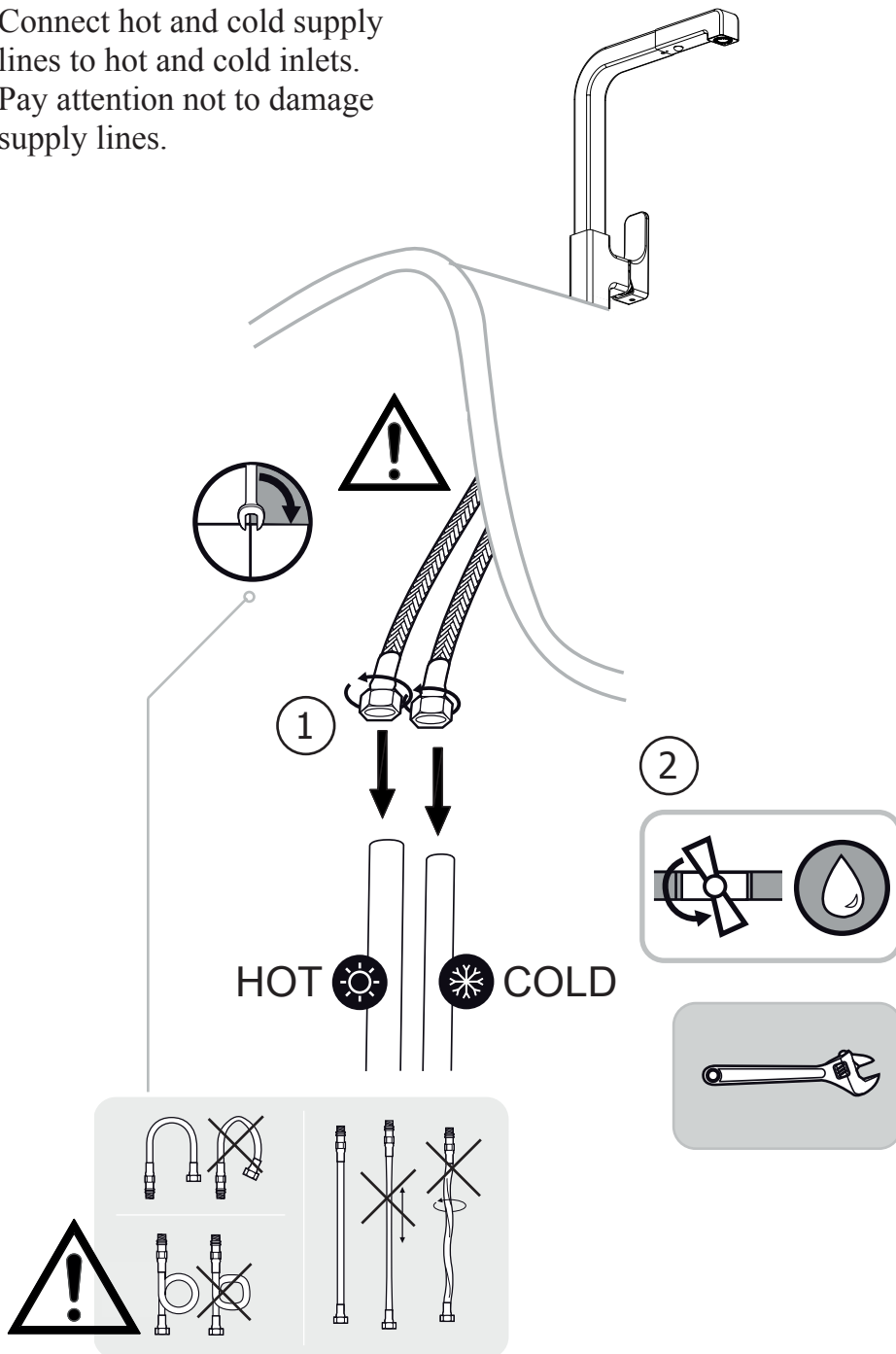
Install weight “F1” on hose and secure hose attachment to mixed water outlet tube, with connector “G1” and seal washer “H1”.



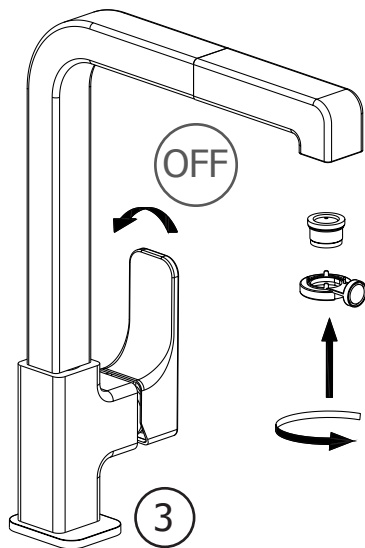
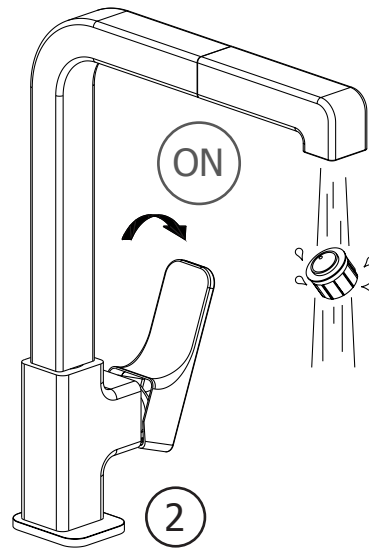
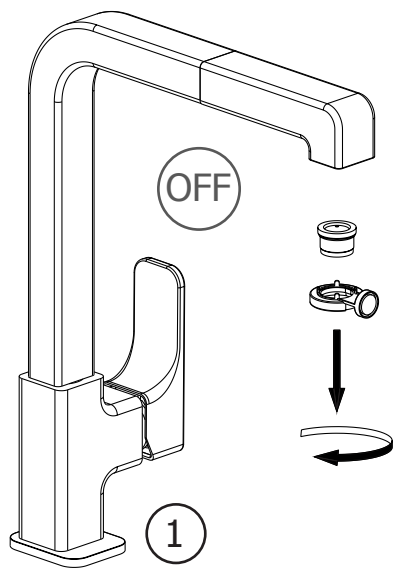
Install the shower as shown.



Connect hot and cold supply lines to hot and cold inlets.
Pay attention not to damage supply lines.

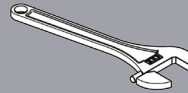
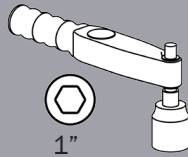


Servicing the aerator.

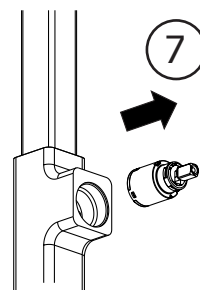
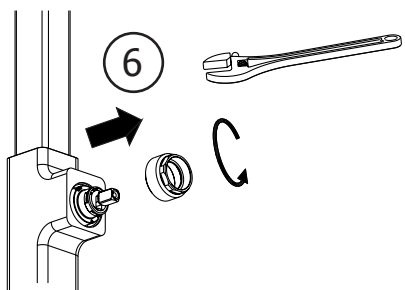
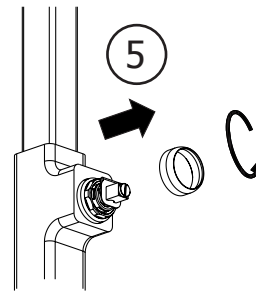
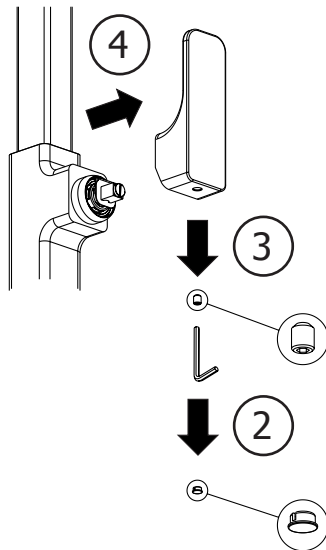
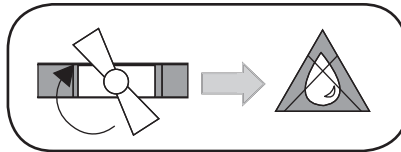


Replacing faucet cartridge.

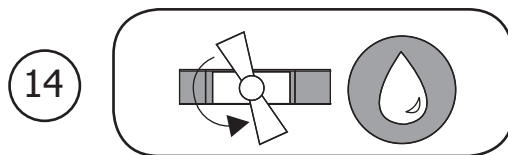
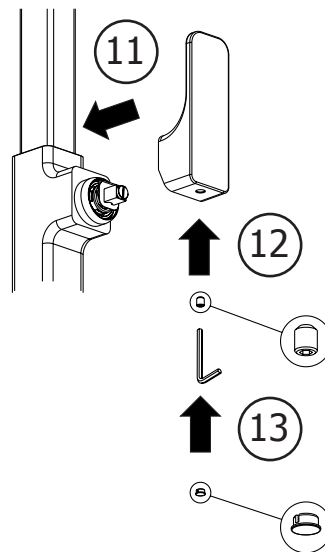
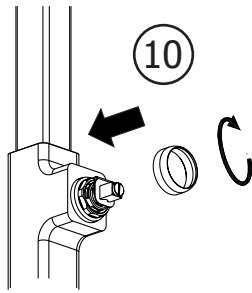
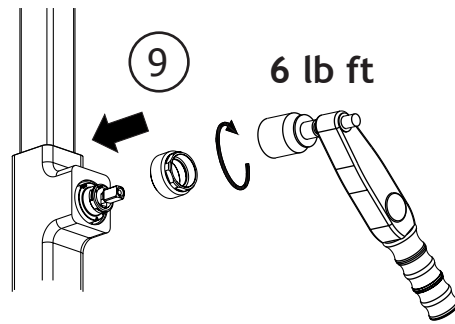
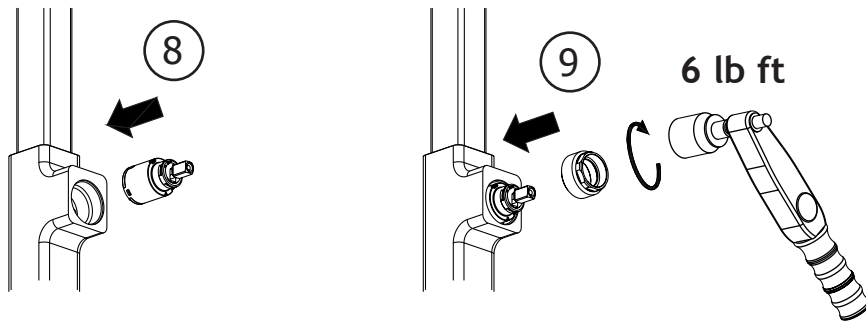
Not Included Tools



1



Replacing faucet cartridge.



Maintaining Your Faucet Finish

No matter which finish you select, here are a few simple steps to keep your ROHL kitchen and bath fixtures looking beautiful for years:

- Daily, pat the fixture dry with a soft cloth after each use - this is the single most important care you can give any finish!
- Occasionally, use a mild clear liquid soap with a neutral PH balance and water to gently clean your faucet. Do not use Dove or anti-bacterial soap. these products will leave a residue that could harm your finish.
- When necessary, a 50/50 solution of vinegar and water can be applied to remove hard water deposits. Do not soak the product in the solution. Vinegar is a mild acid which will harm the finish with prolonged contact.
- Avoid all cleaning products that contain ammonia, bleach, and alcohol. They may damage the finish. Use clear liquid soap with a neutral PH balance.
- Care and use products mentioned in this brochure may be ordered through your local ROHL retailer.

1. WIPE DOWN AFTER USE TO AVOID SPOTTING
2. USE A SOFT CLOTH FOR DETAIL CLEANING
3. DO NOT USE SPRAY CLEANERS WITH AMMONIA, ALCOHOL OR BLEACH
4. DO NOT USE ABRASIVES LIKE COMET, AJAX OR BONAMI

FINISH	CLEANING	CARE
POLISHED CHROME	50/50 VINEGAR AND WATER	FLITZ WAX OR GAGNON'S SX
SATIN NICKEL	50/50 VINEGAR AND WATER	FLITZ WAX OR GAGNON 'S SX

FOR WATER SPOTTING ON POLISHED CHROME, USE SIMICHROME PASTE.