



TRADITIONAL SINGLE LEG FLOOR MOUNTED TUB FILLER

ROHL Country Bath Verona/Arcana/Acqui/San Julio

T1587

FEATURES

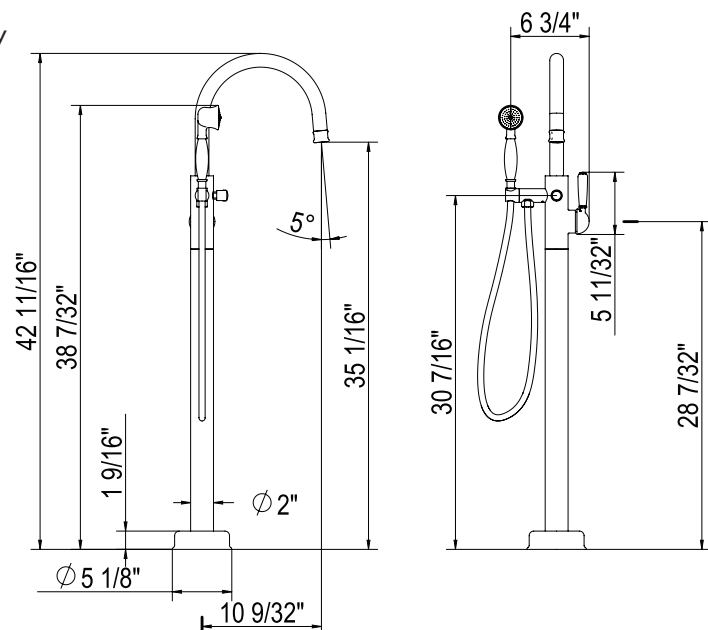
- Popular single leg, floor mounted tub filler
- Solid brass construction
- Side mounted single metal lever for volume and temperature control
- Ceramic disc cartridge for long lasting performance
- Single-function handshower with easy clean spray face
- Swivel spout; 10 9/32" spout reach; 34 7/8" spout outlet height
- 59" flexible metal hose length
- 8.2 GPM flow rate at 60 PSI for tub filler and 2.0 GPM for handshower
- Rough must be recessed under the finished floor
- Remote thermostatic valve may be needed; verify local code requirements
- 1/2" female connections
- Rough available as a separate part. R922390000 ROHL rough only

COLORS/FINISHES

- Polished Chrome
- Polished Nickel
- Satin Nickel

WARRANTY

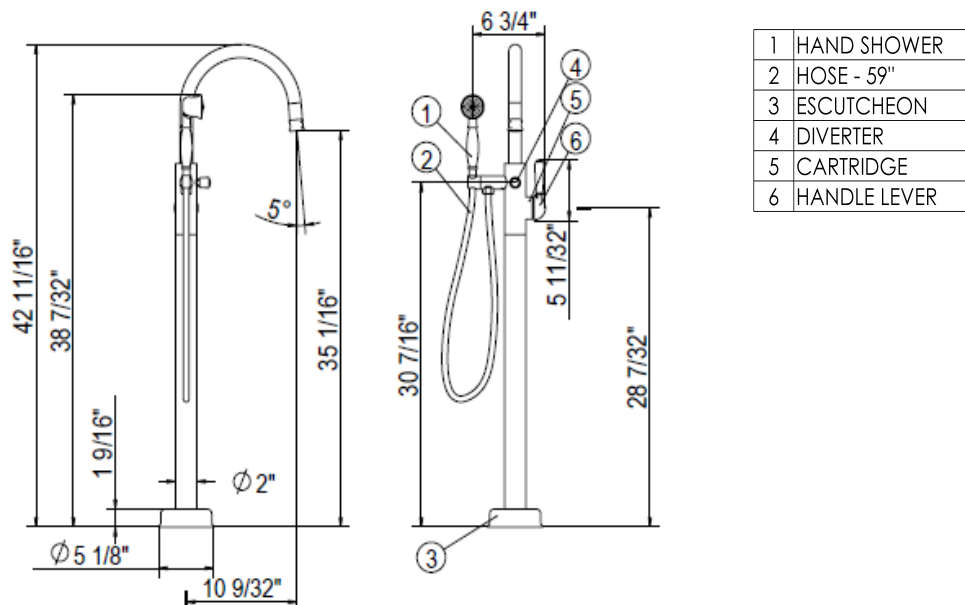
- Limited Lifetime



INSTALLATION INSTRUCTIONS

ROHL COUNTRY BATH FREE STANDING TUB FILLER

INSTALLATION INSTRUCTIONS T1587LAPC, T1587LPN, T1587LSTN



Please leave instructions with the home owner once installed.

SYSTEM REQUIREMENTS

To ensure the optimum performance and customer satisfaction, please adhere to the following:

Flush out all pipe work prior to installation.

Maximum operating pressure 75psi

NOTE: Pressures over 75psi will require that the house have a pressure regulator installed to limit the pressure below 75psi.

Maximum hot water temperature 145°F

If the water temperature exceeds 145°F an approved tempering valve must be fitted.

Maximum flow rate: 8.2 US gallons/minute at 60psi flow pressure.

Hand shower flow rate is 2gpm.

Please follow local code guidelines for Asse 1016.

41978 07/15

ROHL

Authentic Luxury for Kitchen and Bath®

www.rohlhome.com

INSTALLATION INSTRUCTIONS

Care and Maintenance: After use, wipe down with a soft, dry cloth.

For all chrome plated surfaces clean this product with warm soapy water and then dry with a dry soft cloth.

Nickel plated, satin and Inca brass finishes should be cleaned with a soft cloth and warm water. Then dry with a dry soft cloth.

Do not use cream cleaners or cleaning agents containing a corrosive acid or scouring agent including: Softscrub, Comet, Ajax and Bonami, as these may damage the surface of the faucet.

Do not use any spray cleaners with ammonia or alcohol like Windex, 409 or Fantastik.

Any use of unsuitable cleaning agents causing damage to the surface will not be covered by the warranty.

For further understanding, please refer to your ROHL Homeowner's Guide to Care & Maintenance brochure.

WARRANTY: Warranty is limited lifetime. See ROHL website for details. (www.rohlhome.com)

A basic in-line filter system is recommended for the house to protect any debris from entering the water supply line to the house (i.e. due to construction or service work on the street water main).

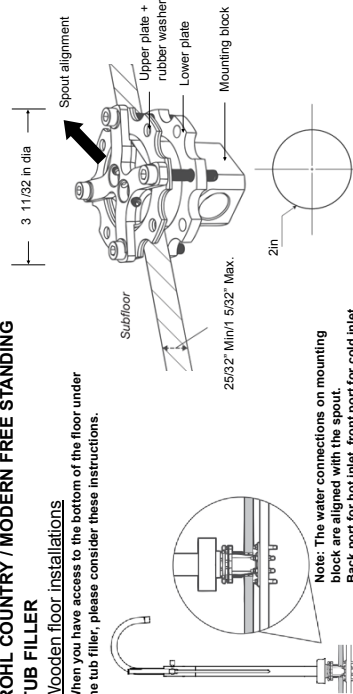


ROHL LLC 3 Parker, Irvine, CA 92618
714-557-1933 www.rohlhome.com

INSTALLATION INSTRUCTIONS

ROHL COUNTRY / MODERN FREE STANDING TUB FILLER

Wooden floor installations
When you have access to the bottom of the floor under the tub filler, please consider these instructions.



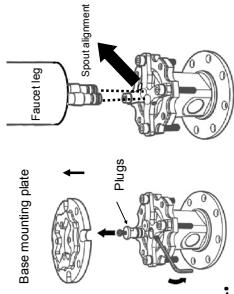
Note: The water connections on mounting block are aligned with the spout. Back port for hot inlet, front port for cold inlet.

2. block are aligned with the spout.

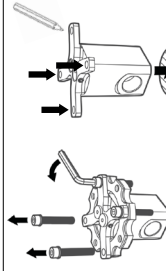
- Verify the distance of the faucet from the bath to insure that the water will flow into the bath.
- Cut hole in wood floor 2 inch diameter. Floor min 25/32 - Max 1 5/32.

Note: Wood floor area top, bottom + inside hole needs to be sealed for protection from any moisture.

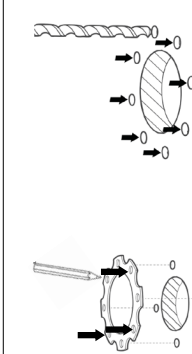
3. Remove block plate. Not required when there is no subfloor.



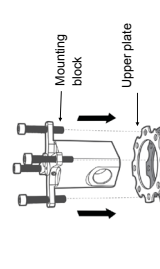
- Remove base mounting plate. Temporary remove plugs and grub screws. (Do not lose.) Temporary fit faucet to mounting block to ensure correct alignment of the spout. **Note:** The water connections on mounting block are aligned with the spout.



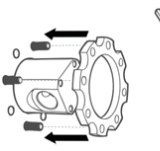
- Remove screws and plates.
 - Position mounting block.
 - Mark drill holes for mounting block.**Note:** Check the alignment of the tub spout one last time before positioning the mounting block.



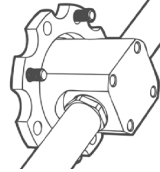
- Position upper plate over marked holes.
 - Mark drill holes for upper plate.



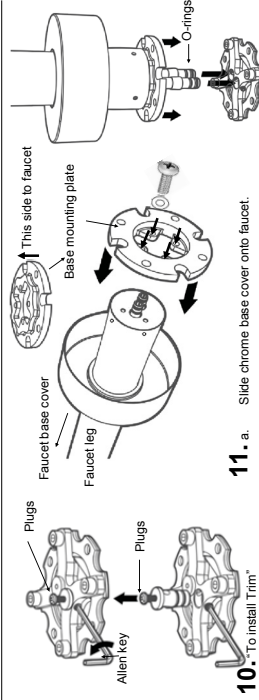
- Install the rubber washer then the upper plate and install the mounting block over drill holes.
 - Install screws into mounting block and through upper plate/washer.**Note:** Arrow for approx faucet spout.



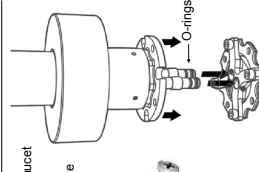
- From under floor: Install lower plate.
 - From above floor: Install clamping screws to lower plate and tighten.



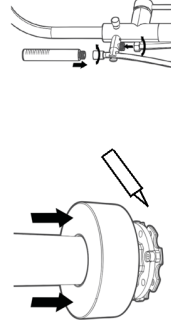
- Connect water supply to mounting block under wooden floor.**Note:** There are no shutoffs, but the hot and cold supplies do have plugs to remain in place during construction.



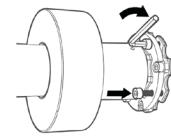
- Slide chrome base cover onto faucet.
 - Screw the base mounting plate to faucet base with the 4 screws and washers supplied and tighten. **Note:** Flat side of plate must be facing downwards.



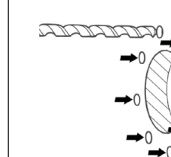
- Apply grease to faucet O-rings.
 - Install faucet by easing onto mounting block. (4 O-rings spare in kit.)



- Apply a silicone bead around base behind cover on finished floor for seal.
 - Slide cover over mounting.



- With locking screws supplied tighten mounting plate.
 - Turn on the water and do a pressure test.



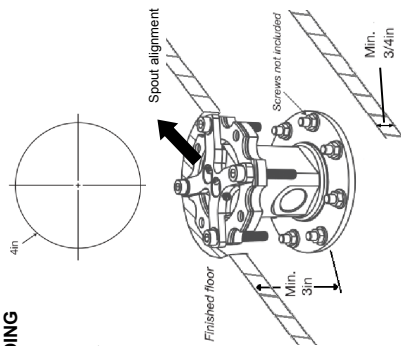
- Install hand shower and hose; ensure washers are in place.

INSTALLATION INSTRUCTIONS

ROHL COUNTRY / MODERN FREE STANDING TUB FILLER

Concrete subfloor installations

When you have a concrete or solid surface, that requires pre fabrication or foundation drilling installation, consider these instructions.

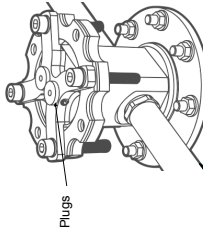
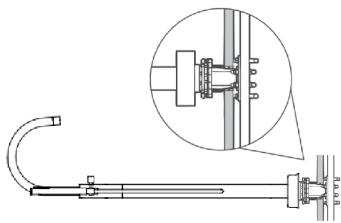


Minimum requirements:
4 inches - Floor cut-out.
3 inches - Base of mounting block to the finished floor.

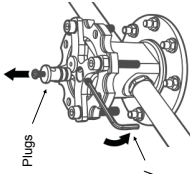
¾ inch - Concrete subfloor.

Note: Mounting block screws not supplied.

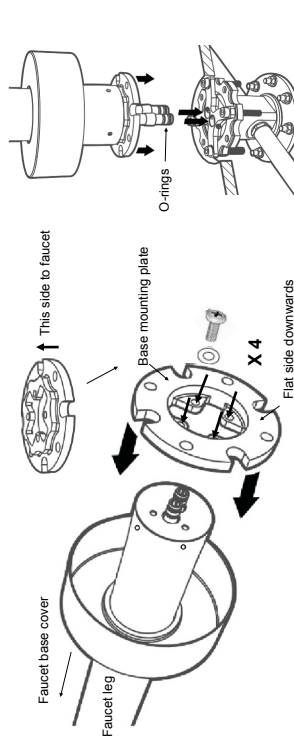
Note: The water connections on mounting block are aligned with the spout. Back port for hot inlet, front port for cold inlet.



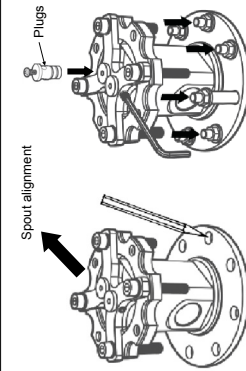
3. a. Connect water supply to mounting block on the sub floor with **hot on the left, cold on the right**.
 - b. Check for leaks.
 - c. Confirm the finish floor height.
- Note: There are no shutoffs, but the hot and cold supplies do have plugs to remain in place during construction.



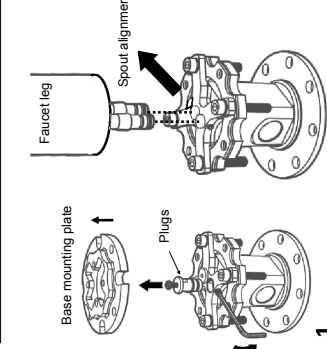
4. Note: When laying the finish floor, do not cover mounting bolts above and below the rough. "To install the trim". After the finish floor is in place: Shut off the water supply.
- a. Remove plugs and grub screws.
- b. Remove plugs and grub screws.



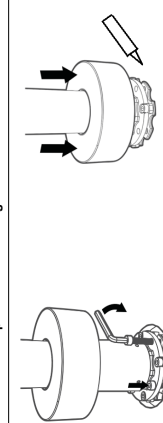
5. a. Slide the chrome base cover onto faucet.
 - b. Screw the base mounting plate to faucet base with the 4 screws and washers supplied and **tighten**.
- Note: Flat side of plate must be facing downwards.



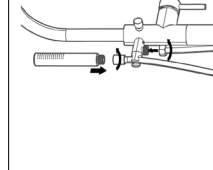
2. a. Verify the distance of the faucet from the bath to insure that the water will flow into the bath and mark out for drill holes.
 - b. Note: Check that the water connections on mounting block are aligned with the spout.
 - c. Install mounting block to concrete subfloor. (Floor anchors not supplied.)
 - d. Verify subfloor is level.
- Note: Reinstall plugs and grub screws. Note: Push plug in first then install grub screw.



1. a. Remove base mounting plate.
 - b. Temporary remove plugs and grub screws. (Do not lose.)
 - c. Temporary fit faucet to mounting block to ensure correct alignment of the spout.
- Note: The water connections on mounting block are aligned with the spout.



7. a. With locking screws supplied tighten mounting plate.
- b. Turn on the water and do a pressure test.



8. a. Apply a silicone bead around base behind cover on finished floor for seal.
- b. Slide cover over mounting.

6. a. Apply grease to faucet O-rings.
- b. Install faucet by easing onto mounting block. (4 spare O-rings in kit.)

9. Install hand shower and hose; Ensure washers are in place.