

ROHL

Authentic Luxury for Kitchen and Bath®

www.rohlhome.com



HEX EXPOSED TUB SET WITH HANDSHOWER

ROHL Country Bath Collection

A1801LH (Metal Hex Levers)

A1801LP (Porcelain Levers)

A1801XM (Cross Handles)

A1801LC (Crystal Levers)

A1801XC (Crystal Cross Handles)

FEATURES

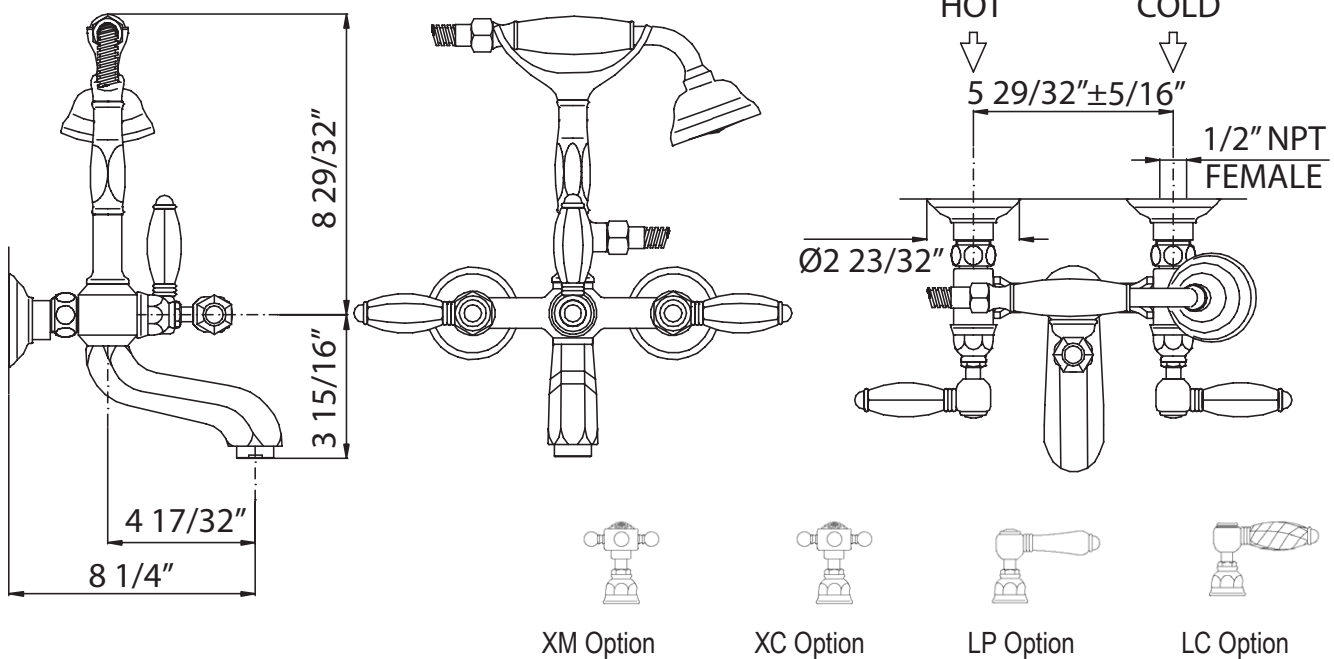
- Wall mounted exposed two handle tub filler with cradle and single-function brass handshower with metal insert for LH/XM/LC/XC and porcelain insert for LP
- 5 29/32" center to center ±5/16"
- 39 3/8" length hose
- Includes wall unions C7205 1/2" F x 3/4" M
- If the deck unions AR00380 or the floor pillar legs ZA383 are used, you MUST include the adaptor C5574EXT. Allow for an extra 2 5/8" in length. This may effect your rough-in dimensions.
- Spout reach 4 17/32"
- 10 GPM @ 60PSI

COLORS/FINISHES

- Polished Chrome
- Polished Nickel
- Satin Nickel
- Inca Brass
- Tuscan Brass

WARRANTY

- Limited Lifetime

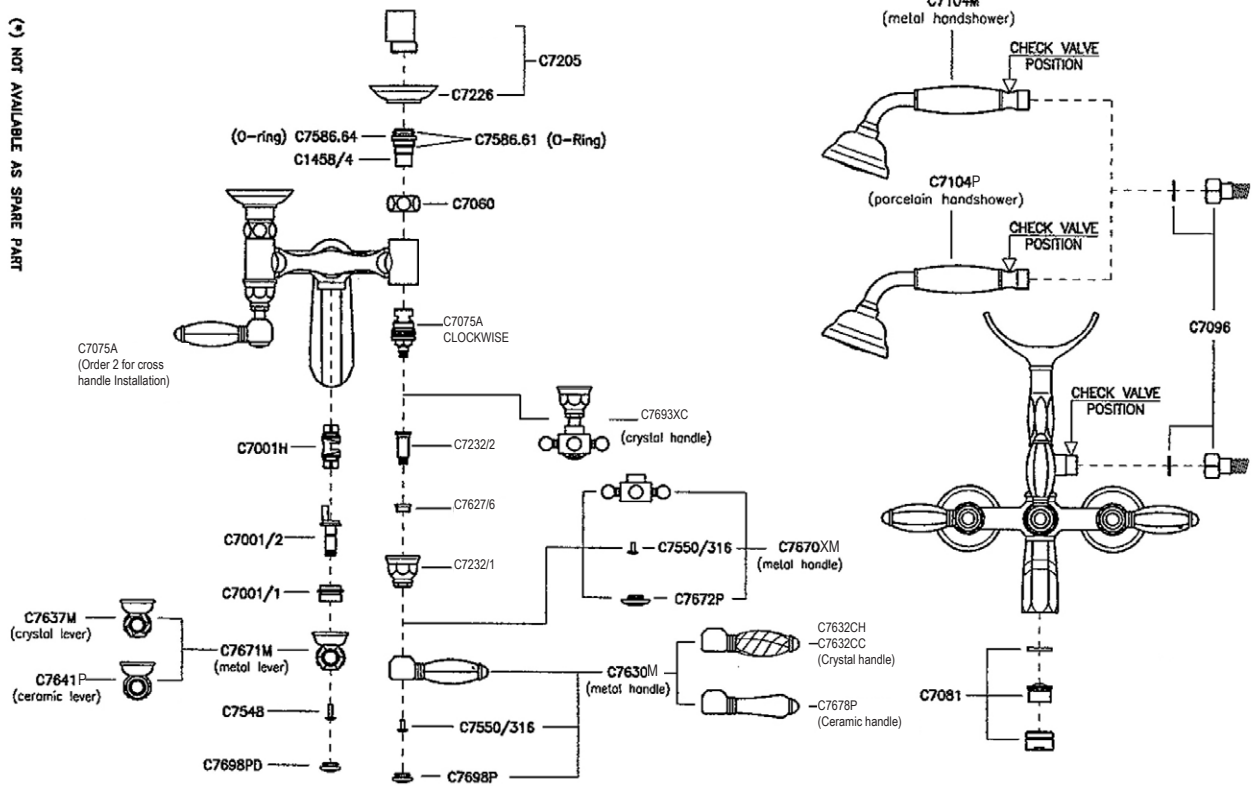


ROHL

Authentic Luxury for Kitchen and Bath®

www.rohlhome.com

A1801 Spare parts



Installation Instructions

INSTALLATION AND CARE & MAINTENANCE GUIDE

Installation guide

Bathtub set with shower.

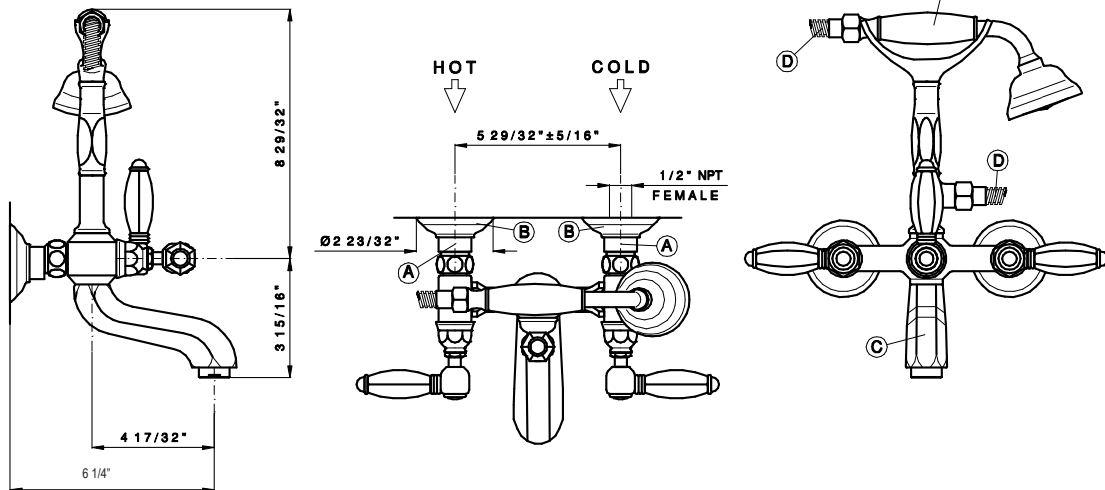
Art.A1801LH--

Art.A1801XM--

Art.A1801LP--

Art.A1801LC--

Art.A1801XC--



Please note, you may have to install an inline anti-scald device. Check your local code requirements.

a - Preparation

Flush out the pipework to remove any foreign matter.

The hot supply should be on the left when viewed from the front of the fitting.

b - Assembly

- Connect the eccentric shank (A) to side valve inlet.
- Assemble the round cap for eccentric (B), place caulking between wall and cap.
- Fix the body of sink mixer (C), with the hexagonal nuts.
- Connect the double spiral flex hose (D) to the body (C), placing the washer between the two parts.
- Connect the hand shower (E) to the double spiral flex hose (D), placing the washer between the two parts.
- Ensure all connections are firmly tightened.

c - Before use

Turn on the Hot and Cold supplies to the faucet.

Maximum temperature for Hot water supply to the faucet is 145° F.

Minimum recommended pressure is 15 psi - Maximum recommended pressure is 75 psi.

Check the installation carefully for leaks.

If further building work is to be carried out in the vici of the faucet, it should be covered to prevent paint, adhesive, etc. from damaging the surface.

Installation Instructions

Care and use for finishes

Country Bath Products are all authentic finishes that have not been coated with any product.

After each use, pat the fixture down to remove any excess water. This will prevent any water spotting or mineral build-up. Use only soft liquid soap and water to clean the surface. Use a soft brush to clean any gaps. Avoid any products that have ammonia or alcohol like Windex, 409 or Fantastik. These products can damage the finish leaving black or white spots. Never use an abrasive product like Softscrub, Comet, Ajax or Bon Ami.

For deep polishing we recommend Bruno's Wax for all finishings.

Tuscan Brass is a living finish and has no warranty. It will lighten with use. To extend the life of the finish, apply Bruno's Wax by patting it on, letting it dry and patting it off. Never rub or buff this finish.

WARNING: the use of cleaning products not recommended might irreparably harm the surfaces of the faucets which in such case are not covered by our warranty.

Limescale

The faucet is fitted with an aeration device in the Hot/Cold water outlet.

This may need occasional cleaning especially in hard water areas.

This is accomplished by unscrewing the outlet in a counter clockwise direction, dismantling and leaving the inner screen mesh immersed over night in vinegar or lemon juice.

Do not use chemical descaling liquids for this purpose.

ATTENTION

READ THESE INSTRUCTIONS BEFORE INSTALLATION AND USE OF ALL FAUCETS AND WALL VALVES

INSTALLATION and WARRANTY INSTRUCTIONS TECHNICAL INFORMATION

All flexible hoses are designed and manufactured for use with water in exposed locations only. **Do not expose** to household cleaners, chlorine, chloride, hydrochloric acid or other corrosive chemicals.

- All connections with threads M10x1 male must be hand tighten. **Do not over tighten. Over tightening may cause damage to the hose.**

All faucets washers and o-rings are designed and manufactured for use with water. **Do not expose** to household cleaners, chlorine, chloride, hydrochloric acid or other corrosive chemicals.

Faucets are designed for use with the temperatures and pressures listed below:

- minimum cold water supply 50 °F
- maximum hot water supply 145 °F
- minimum pressure 15 psi
- maximum pressure 75 psi
- maximum fixing torque value = 10 lbf.ft.
-

Please note: The recommended best pressure for best performance is between 40 psi and 60 psi. More pressure than 60 psi or less pressure than 40 psi may affect the diverting action in side spray faucets.

- Do not use any Rohl Country/ Nicolazzi faucet with sulphurous water.
- The minimum temperature for all faucets is 50 degrees F. Below 50 degrees F will void the warranty.
- When available, filter systems must be placed between hot and cold supply lines and the faucet. Improper use or non-use of filters may make diverting faucets with hand sprays perform poorly.
- Don't modify faucet and their components
- Use only original spare parts if there are replacements to be ordered.
- Installation must be made by authorized plumbers or installers. Improper installation or diagnosis of problems is not covered by the warranty.
- Yearly maintenance of cleaning and flushing is recommended.

Operation and use of any faucet or wall valve that do not conform to these technical instructions will void the warranty.