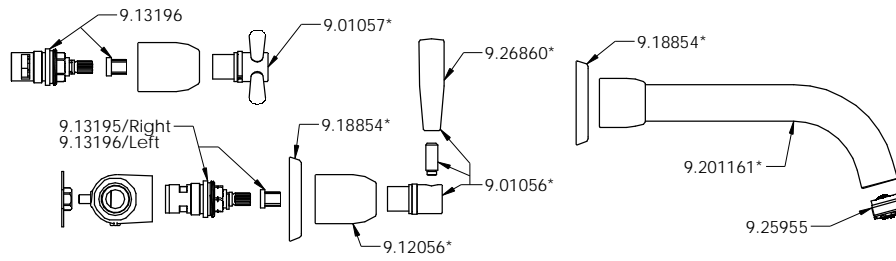
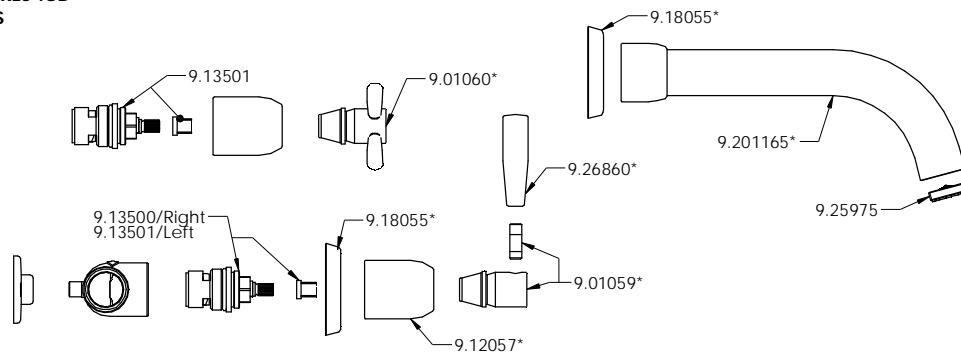


**SPARES
LAV SETS**



**SPARES TUB
SETS**



* Where indicated please specify color