



HEX EXPOSED TUB SET WITH HANDSHOWER AND FLOOR PILLAR LEGS

ROHL Italian Country Bath Collection

AKIT1801LH (Metal Hex Levers)

AKIT1801LP (Porcelain Levers)

AKIT1801XM (Cross Handles)

AKIT1801LC (Crystal Levers)

AKIT1801XC (Crystal Cross Handles)

FEATURES

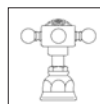
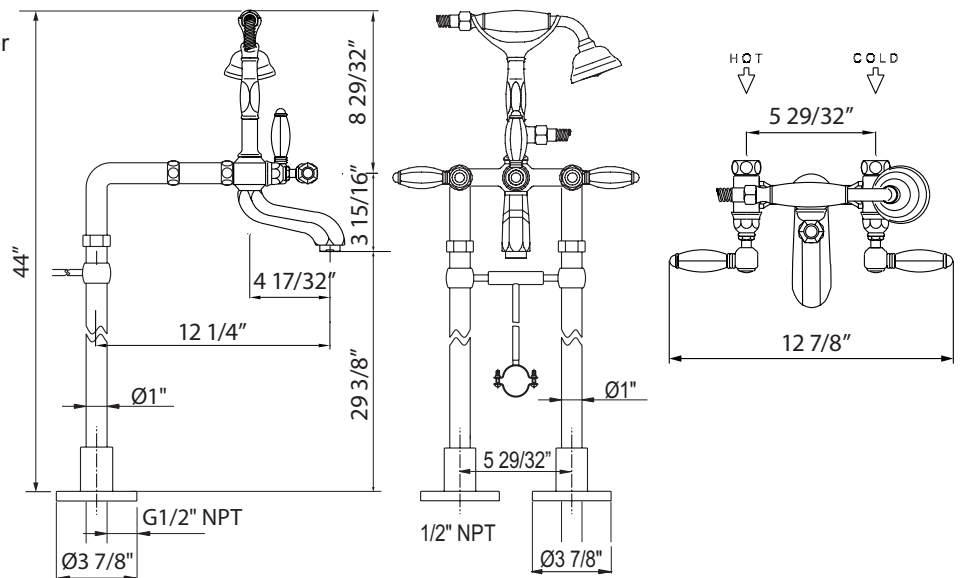
- Floor mounted exposed two handle tub filler with cradle and single-function brass handshower with metal insert for LH/XM/LC/XC and porcelain insert for LP
- 5 29/32" center to center ±5/16"
- Fixed center to center measurements
- Maximum male stub out 9/16" for floor legs
- Floor legs cannot be cut down
- 10 GPM @ 60 PSI
- For wall or deck applications, call ROHL
- 39 3/8" length hose
- Decorative shut offs available (order two for a set)
 - ZA10384021-APC
 - ZA1038402B-PN
 - ZA1038402Z-IB
 - ZA1038402A-STN
 - ZA1038402V-TCB
- 2" straight union extension available, C7205EXT*
- Kit includes:
 - A1801
 - C5574EXT
 - ZA383
- Spout reach 4 17/32"

COLORS/FINISHES

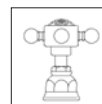
- Polished Chrome
- Polished Nickel
- Satin Nickel
- Inca Brass
- Tuscan Brass

WARRANTY

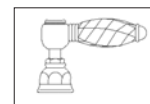
- Limited Lifetime



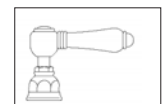
XM Option



XC Option

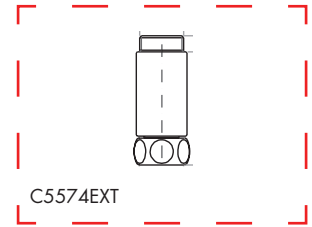


LC Option

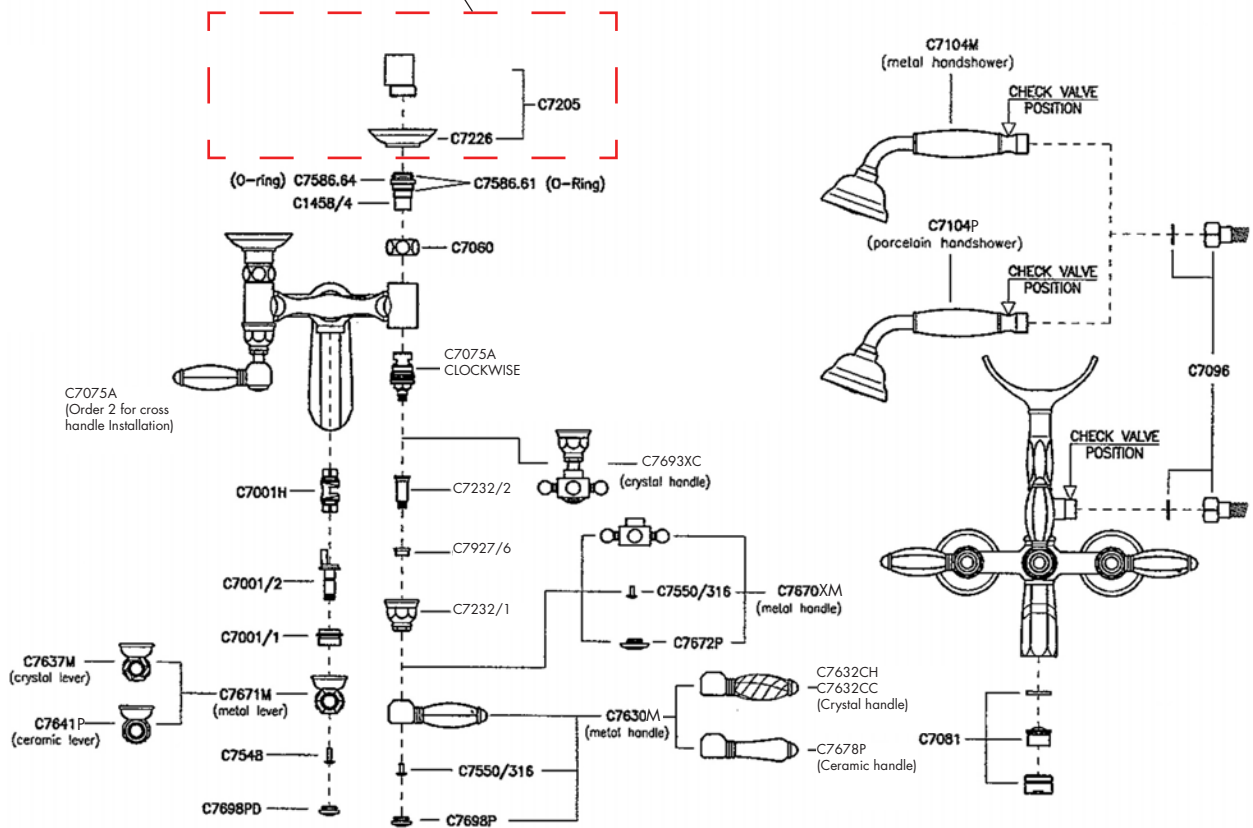


LP Option

A1801 Spare parts



For wall installation only.
Use C5574EXT for the kit.



Installation Instructions

Installation guide

Bathtub set with shower.

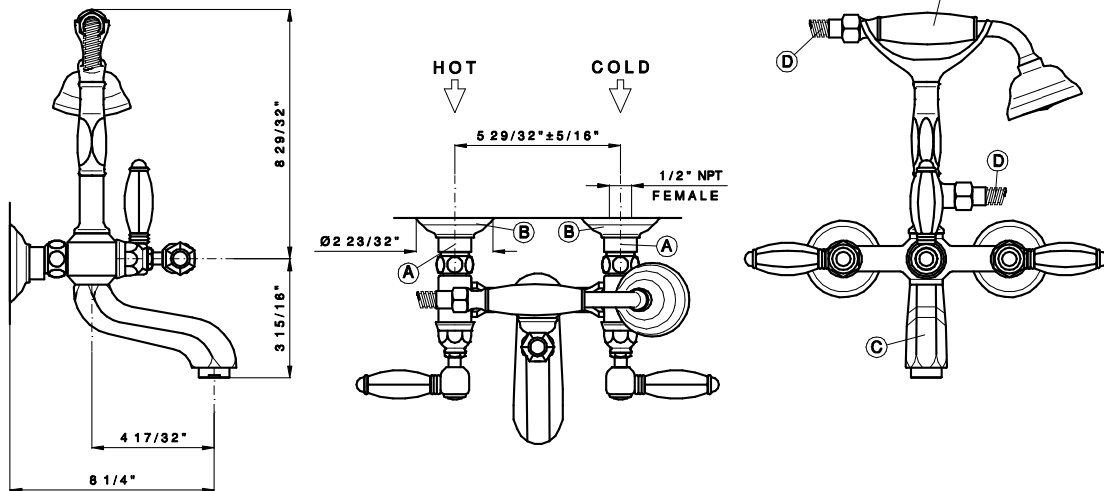
Art.A1801LH--

Art.A1801XM--

Art.A1801LP--

Art.A1801LC--

Art.A1801XC--



Notes: Faucet must be installed a minimum of 2 inches above fixture rim. Install per local codes. Faucet must be installed with a listed in-line anti-scald device.

a - Preparation

Flush out the pipework to remove any foreign matter.
The hot supply should be on the left when viewed from the front of the fitting.

b - Assembly

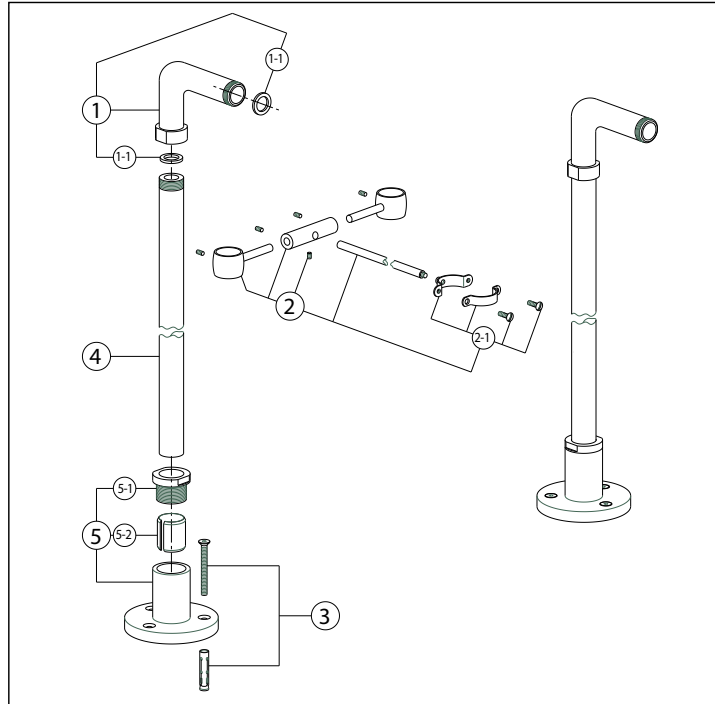
- Connect the eccentric shank (A) to side valve inlet.
- Assemble the round cap for eccentric (B), place caulking between wall and cap.
- Fix the body of sink mixer (C), with the hexagonal nuts.
- Connect the double spiral flex hose (D) to the body (C), placing the washer between the two parts.
- Connect the hand shower (E) to the double spiral flex hose (D), placing the washer between the two parts.
- Ensure all connections are firmly tightened.

c - Before use

Turn on the Hot and Cold supplies to the faucet.
Maximum temperature for Hot water supply to the faucet is 145° F.
Minimum recommended pressure is 15 psi - Maximum recommended pressure is 75 psi.
Check the installation carefully for leaks.
If further building work is to be carried out in the vicinity of the faucet, it should be covered to prevent paint, adhesive, etc. from damaging the surface.

Installation Instructions

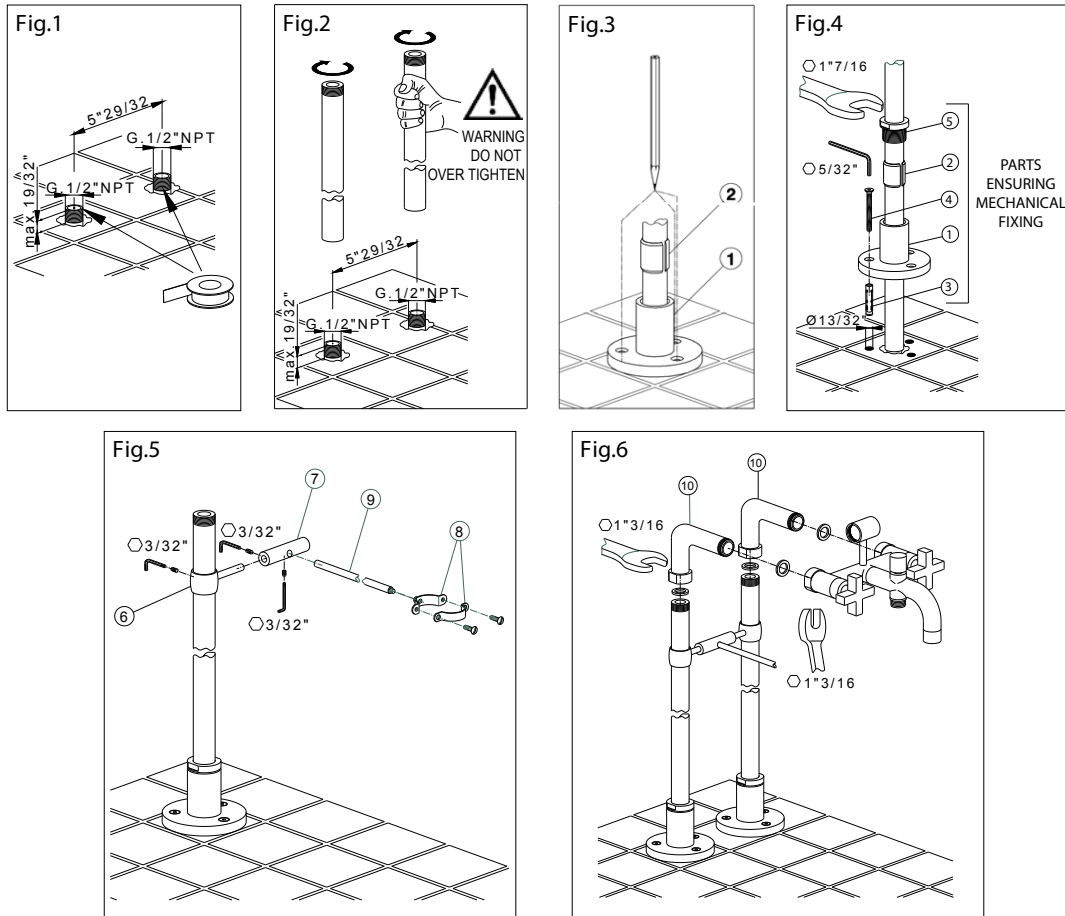
SPARE PARTS FOR ZA 383 FLOOR LEGS



POS.	DESCRIPTION	CODE
1	90° union pillar leg	ZZ 93750 0
1-1	Gasket NBR 90 SH. 24x16x2,7	ZZ 92689 0
2	Waste tube connection	ZZ 94083 0
2-1	Waste tube connection	ZZ 94127 0
3	Installation set	ZZ 94343 0
4	G1/2" NPT floor pillar leg	ZZ 94355 0
5	Base for floor pillar leg	ZZ 94356 0
5-1	Fixing ring	ZZ 94357 0
5-2	Cut bush	ZZ 94358 0

Installation Instructions

ASSEMBLY INSTRUCTIONS FOR ART. ZA10383



Installation requirements: 2 x 1/2" NPT male stub outs at 5 29/32" centers

Please note: if installing with an Italian Country Bath exposed tub filler you must install a set of adaptors, C5574EXT

Fig.1 Apply Teflon tape to the male connection.

Fig.2 Hand tighten, then turn with a strap wrench 1/2 to 3/4 turn to make a seal.

WARNING: Do not over tighten. Over tightening could cause the brass to crack. Test for leaks before installing floor escutcheons.

Please note that the threaded connection only ensures hydraulic water tightness, please note that mechanical fixing of floor legs is ensured by the whole part assembly of components listed as 1-2-3-4-5 in Picture4.

Fig.3 Slide on base escutcheons (1) and the cut bushings (2). Mark the screw holes for drilling.

Fig.4 Drill a hole using a 13/32" drill and install floor anchors (3).

Slide the base escutcheons (1) to the floor, align with holes and tighten allen screws (4) using a 5/32" wrench.

Insert the cut bushings (2) into the base escutcheons (1) and slide on the threaded ring (5). tighten using a 1 7/16" wrench.

Fig.5 Install waste tube connection rings (6) into the horizontal sleeve (7) and slide onto pillar legs

Screw the clamp (8) to the rod (9) and install the clamp with the rod (8 & 9) onto the horizontal sleeve (7)

Use the clamp to anchor the frame to the overflow pipe of the tub drain Square off the installation and tighten allen screws using a 3/32" wrench.

Fig.6 Install elbow unions (10) to pillar legs, using a 1 3/16" wrench, ensuring that all washers create a seal.

Install tub faucet to elbow unions using a 1 3/16" wrench, ensuring all washers create a seal

Cod. 0101034000 Ed.08.14

Installation Instructions

Care and use for finishes

Country Bath Products are all authentic finishes that have not been coated with any product.

After each use, pat the fixture down to remove any excess water. This will prevent any water spotting or mineral build-up. Use only soft liquid soap and water to clean the surface. Use a soft brush to clean any gaps. Avoid any products that have ammonia or alcohol like Windex, 409 or Fantastik. These products can damage the finish leaving black or white spots. Never use an abrasive product like Softscrub, Comet, Ajax or Bon Ami.

For deep polishing we recommend Bruno's Wax for all finishings.

Tuscan Brass is a living finish and has no warranty. It will lighten with use. To extend the life of the finish, apply Bruno's Wax by patting it on, letting it dry and patting it off. Never rub or buff this finish.

WARNING: the use of cleaning products not recommended might irreparably harm the surfaces of the faucets which in such case are not covered by our warranty.

Limescale

The faucet is fitted with an aeration device in the Hot/Cold water outlet.

This may need occasional cleaning especially in hard water areas.

This is accomplished by unscrewing the outlet in a counterclockwise direction, dismantling and leaving the inner screen mesh immersed overnight in vinegar or lemon juice.

Do not use chemical descaling liquids for this purpose.

Installation Instructions

ATTENTION

READ THESE INSTRUCTIONS BEFORE INSTALLATION AND USE OF ALL FAUCETS AND WALL VALVES

INSTALLATION and WARRANTY INSTRUCTIONS TECHNICAL INFORMATION

All flexible hoses are designed and manufactured for use with water in exposed locations only. **Do not expose** to household cleaners, chlorine, chloride, hydrochloric acid or other corrosive chemicals.

- All connections with threads M10x1 male must be hand tighten. **Do not over tighten. Over tightening may cause damage to the hose.**

All faucets washers and o-rings are designed and manufactured for use with water. **Do not expose** to household cleaners, chlorine, chloride, hydrochloric acid or other corrosive chemicals.

Faucets are designed for use with the temperatures and pressures listed below:

- minimum cold water supply 50 °F
- maximum hot water supply 145 °F
- minimum pressure 15 psi
- maximum pressure 75 psi
- maximum fixing torque value = 10 lbf.ft.
-

Please note: The recommended best pressure for best performance is between 40 psi and 60 psi. More pressure than 60 psi or less pressure than 40 psi may affect the diverting action in side spray faucets.

- Do not use any Rohl Country/ Nicolazzi faucet with sulphurous water.
- The minimum temperature for all faucets is 50 degrees F. Below 50 degrees F will void the warranty.
- When available, filter systems must be placed between hot and cold supply lines and the faucet. Improper use or non-use of filters may make diverting faucets with hand sprays perform poorly.
- Don't modify faucet and their components
- Use only original spare parts if there are replacements to be ordered.
- Installation must be made by authorized plumbers or installers. Improper installation or diagnosis of problems is not covered by the warranty.
- Yearly maintenance of cleaning and flushing is recommended.

Operation and use of any faucet or wall valve that do not conform to these technical instructions will void the warranty.