



WALL MOUNT LAVATORY FAUCET WITH CROSS HANDLES

ROHL Perrin & Rowe® Edwardian Bath

U.3561X

FEATURES

- 1/2" wall valve lav set with separate spout and handles
- 7" wall mount spout with 1/2" inlet
- 1/2" female nipple needed
- 1/4-turn ceramic disc valves
- U.6702 remote pop-up set available
- 1.2 GPM

Extension kit for valves only, order (2) U.3243 for 1 1/4" or U.3243S for 5/8"

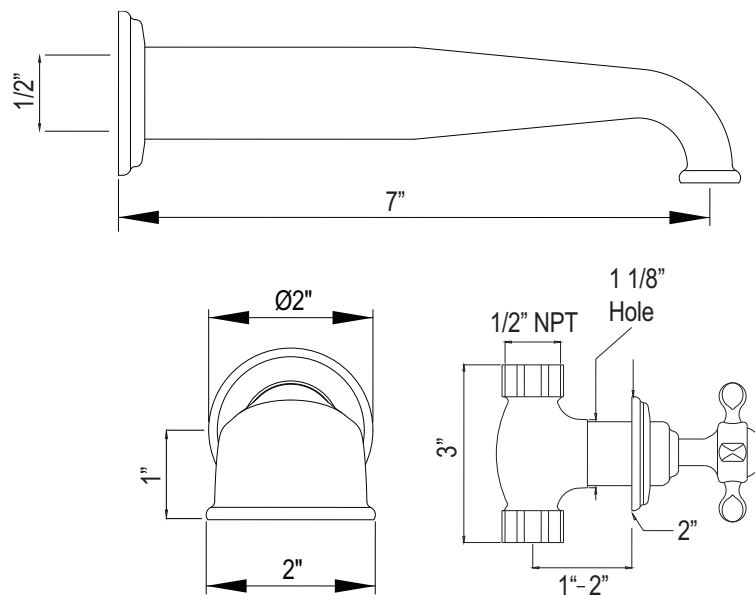
FINISHES

- Polished Chrome
- Polished Nickel
- Satin Nickel
- Inca Brass*
- English Bronze

*Inca Brass available by special order only

WARRANTY

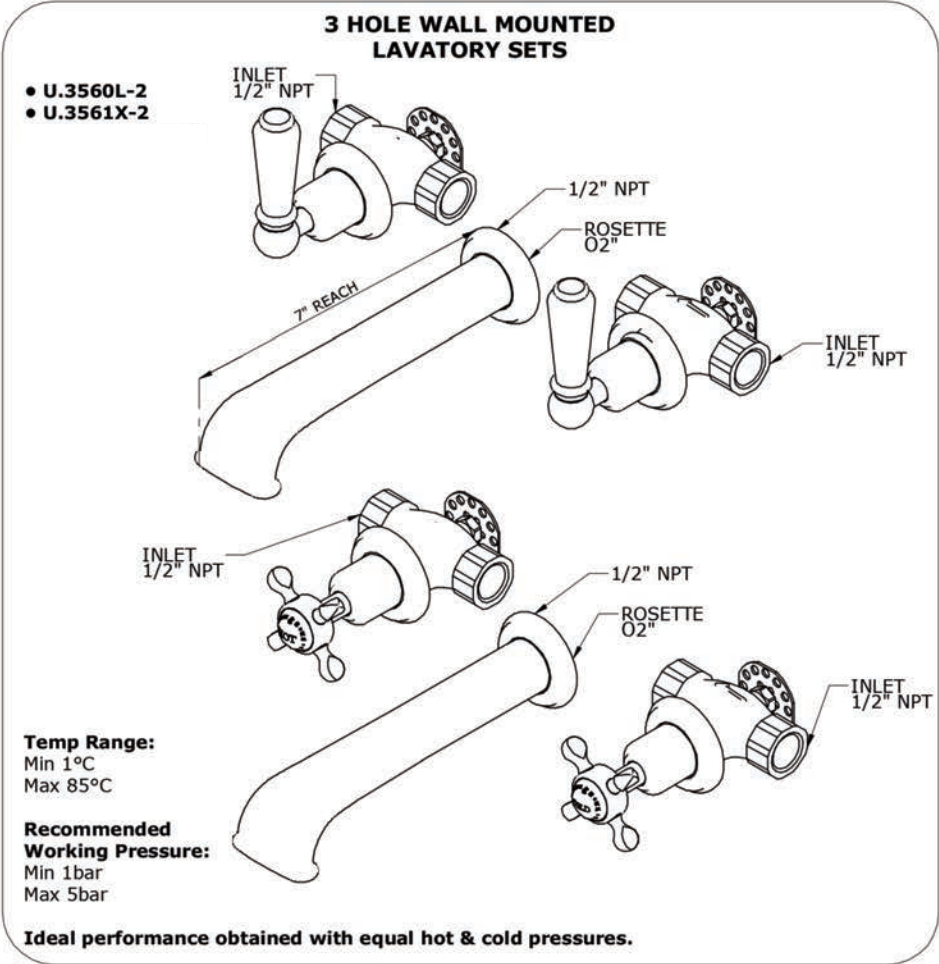
- Limited Lifetime



Installation Instructions



The Traditional Bathroom Collection
Installation & User Guide



Consult your local ROHL showroom for additional information and specifications. For complete warranty details and a list of showrooms, go to www.rohlhome.com.

Installation Instructions

The Traditional Bathroom Collection Installation & User Guide

Congratulations on the purchase of your Perrin & Rowe bathroom product. Correctly installed and with sensible care, this product will give you many years of trouble free service.

IMPORTANT INFORMATION

Before you proceed... We recommend you engage the services of a registered plumber to install this product.

Perrin & Rowe taps require a maximum inlet pressure supply of 500 kpa (72psi). For installations where the inlet water supply pressure is ever above 500kpa, pressure-limiting valves must be installed prior to this tap.

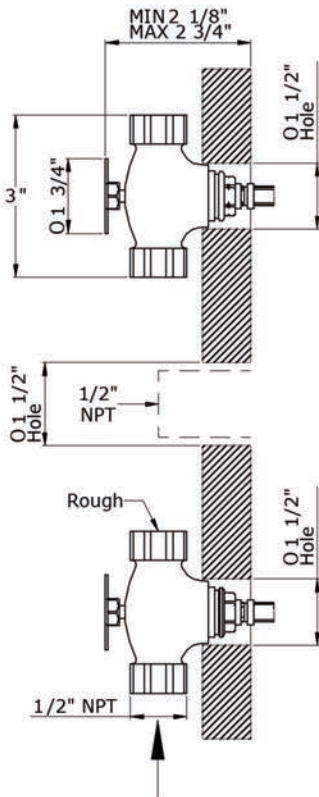
It is essential that the information contained herein is carefully read and understood prior to installing and operating this tap.

Preparation for the installation

Flush the pipework before installing this tapware.

Once unpacked remove Trim Kit ready for installation.

•U.3560L •U.3561X



- Follow placement dimensions supplied for installation.
- When installing products make sure allowance is made for tiles etc.
- Cavity should be sufficient to allow for servicing of valves.
- Assemble nozzle rosette, fitting base seal supplied between rosette and wall finish.
- Fit nozzle onto shank using thread sealing materials sparingly.

Concealed Wall Valve

Ensure the handle is vertical when the valve is in the 'off' position.

- Assemble trim to rough ensuring handle is aligned correctly. If it is not, remove and turn a few splines until correct alignment can be achieved.

Use the above instructions to install the 3 Hole Lav Set on the next page.

Installation Instructions

•U.3560L •U.3561X •U.3605

The diagram illustrates the installation of the ROHL tap. It shows a side view of the tap body with dimensions: a minimum hole diameter of 1/8" and a maximum of 3/4", a total height of 3", and a diameter of 1 3/4". A top view shows the tap body with a 1/2" NPT connection and a 1/4" maximum wall thickness. Labels include: MIN 1/8" MAX 2 3/4", 3", O 1 3/4", O 1 1/2" Hole, Trim, spout, Base Seal, Rosette, Rough, 1/2" NPT, and 1 1/4" MAX WALL THICKNESS.

OPERATION

- This tap is fitted with quarter-turn ceramic disc valve units. Water flow from off to fully on is achieved by rotating the handles a quarter-turn. Ceramic disc valves are available opening in a clockwise or anti-clockwise direction. Should the handle of an installed tap operate in the wrong direction, this can be remedied by changing the ceramic disc valve to the other version.

CLOSED

OPEN

No Groove / LEFT VALVE

Groove / RIGHT VALVE

- Fit the handle in the correct position for when the valve is in the 'off' position and once you have correct alignment, screw the barrel clockwise to tighten it onto the valve. Slide the rosette along the barrel to tighten and against the wall. There is no o-ring between the rosette and the wall however a small amount of white putty or other removable sealant can be placed on the rear of the rosette. **Please do not seal with silicone as it will hamper the removal of the handle for future servicing.**
- Turn on the water supply and check the installation for leaks.
- If further building work is to be carried out in the vicinity, cover the tap to avoid plaster, paint etc damaging the finish.
- Please ensure that the installation complies with all plumbing regulations and codes

BEFORE USE

- Carefully check the installation for leaks.
- If further building work is to be carried out in the vicinity, cover the tap with a plastic bag to avoid damaging the finish.
- Please ensure that the installation complies with the local plumbing codes.

CARE & MAINTENANCE

- Occasional cleaning with warm soapy water, followed by a polish with a soft cloth is all that is required to keep the plated finish in good condition.
- If you wish to occasionally polish your tap and it has a Chrome, Nickel or Pewter finish, we recommend a gentle metal cleaner such as AUTOSOL metal polish, which is available from hardware and automotive parts stores.
- **Do not use any cleaners on Gold or English Bronze taps.**
- **Do not use proprietary abrasive liquids, powders, or pads to clean the product. You will damage the plated finish and void your warranty.**

Installation Instructions

CARE & MAINTENANCE

Occasional cleaning with warm soapy water, followed by a polish with a soft cloth is all that is required to keep the plated finish in good condition.

Do not use proprietary abrasive liquids, powders, or pads to clean the product. You will damage the plated finish and void your guarantee.

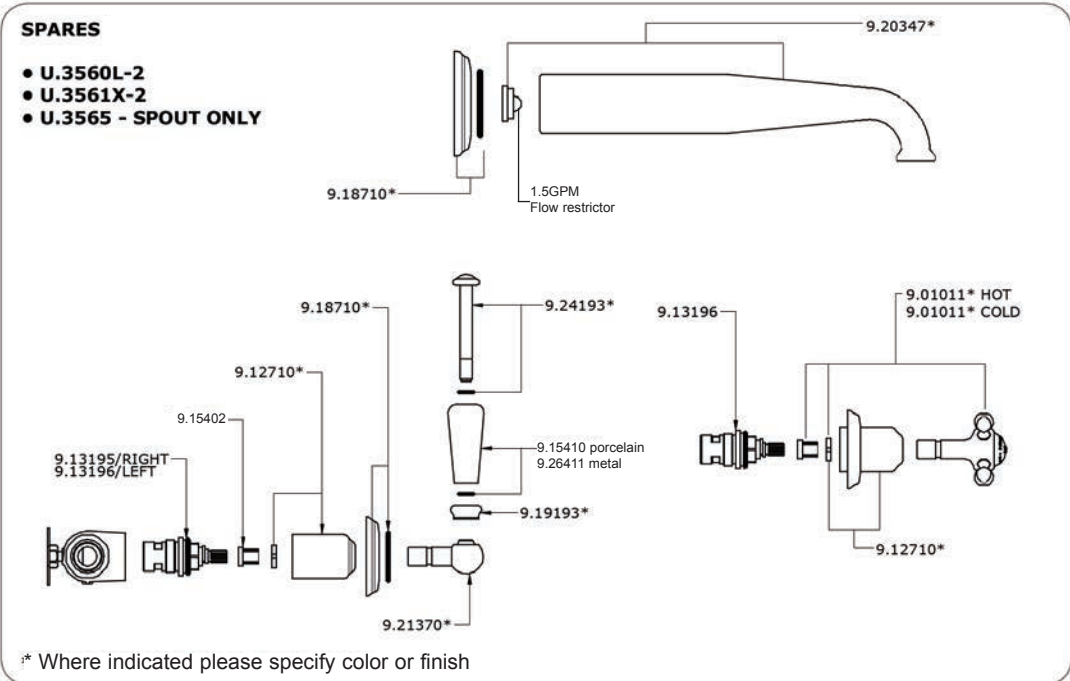
ROHL WARRANTY POLICY

All products supplied by ROHL carry warranties against manufacturing defects.

Perrin & Rowe products carry a Limited Lifetime Warranty.

ROHL LLC will provide free of charge, as its options, replacement part(s) or product (or a comparable alternative product) to replace those which have proven defective in materials or workmanship.

For full ROHL LLC WARRANTY please contact ROHL or visit www.rohlhome.com



SPARE PARTS & SERVICE

ROHL
Authentic Luxury for Kitchen and Bath®
3 Parker
Irvine
CA 92618
(714) 557-1933
www.rohlhome.com

Perrin & Rowe products are manufactured in England using quality materials, the latest technology and built to the highest standards.

We would like to thank you for purchasing this Perrin & Rowe product and invite you to view the comprehensive range of Perrin & Rowe tapware, shower fittings, bathroom accessories, soap dispensers and bathroomware.

Please contact us to receive our latest product catalogues or view them on www.perrinandrowe.com.au

Perrin & Rowe is a registered trademark. 9003560U Issue 1