



GRACELINE WALL MOUNT WIDESPREAD LAVATORY FAUCET

Michael Berman Graceline™

MB2030LM (Lever Handles)

MB2030DM (Metal Dial Handles)

FEATURES

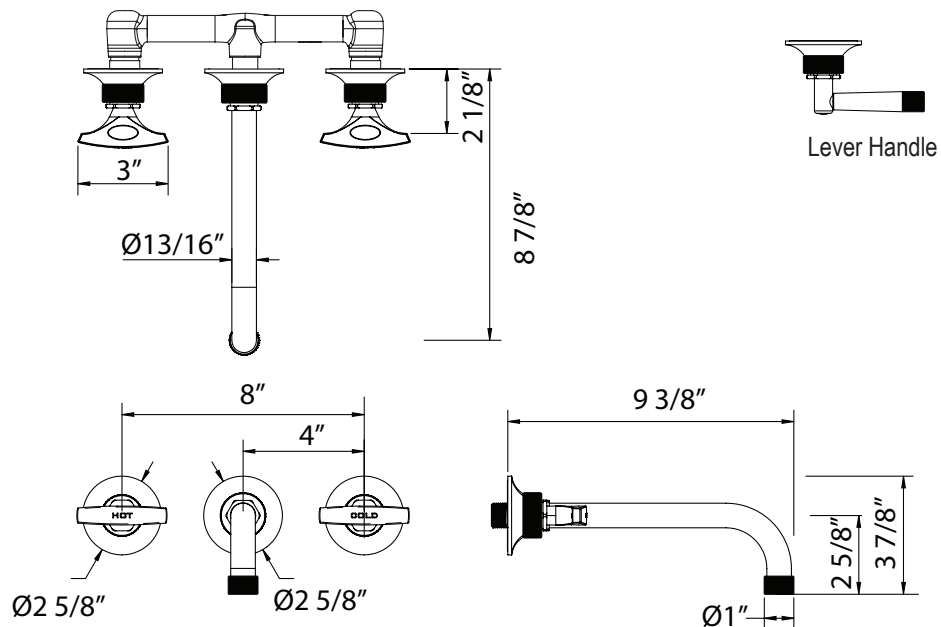
- 1/2" female NPT wall valves
- 1/2" male NPT spout connection
- 8 7/8" spout reach
- 9 3/8" overall spout length
- 3 x 1 3/8" cutouts
- 1/4-turn ceramic valves
- 1.2 GPM aerator
- Brass construction

COLORS/FINISHES

- Polished Chrome
- Polished Nickel
- Satin Nickel
- French Brass**
- Satin Gold*

WARRANTY


- Limited lifetime
- * 5 Years Warranty on Satin Gold Finish
- ** No Warranty on French Brass Finish



INSTALLATION INSTRUCTIONS

ITEM NO.	PART NUMBER	DESCRIPTION	QTY.
1	11428	AERATOR CACHE TINY JUNIOR 1.2GPM 43.2260.450 PINK	1
2	3-028/00	ASSY, SPOUT WALL LAV MB GRACELINE	1
2.1	30188/00	BASE, WALL MOUNT LAV/RT	1
2.2	2-123/00	ASSY, SPOUT WALL LAV	1
2.3	90117	O-RING, 7/8"ID X 33/32"THK., AS-568-117	2
2.4	30173/00	ESCUTCHEON BASE, MB GRACELINE	1
2.5	90139	O-RING, 2-3/16"ID X 3/32"THK., AS-568-139	1
3	3-346/00	ASSY, HANDLE LEVER MB GRACELINE	2
3.1	30182/00	HANDLE, LEVER MB-PD2	1
3.2	30181/00	HUB, HANDLE LEVER MB GRACELINE	1
3.3	30177/00	HEX HANDLE BOTTOM, MB PD2	1
3.4	92053	WASHER, .70"ID X .88"OD X .063"THK	1
3.5	92013	SCREW, SOCKET HD CAP 8-32 THREAD, 3/8" LENGTH	1
3.6	30179	STEM 20PT MB GRACELINE	1
3.7	30178/00	HUB FOR HANDLES, MB GRACELINE	1
3.8	90015	O-RING, 9/16"ID X 11/16"OD X 1/16"THK, AS-568-015	1
3.9	30180/00	ESCUTCHEON BASE, MB GRACELINE	1
3.10	90139	O-RING, 2-3/16"ID X 3/32"THK., AS-568-139	1

NOTE(S):

1. APPLY NSF COMPLIANT GREASE TO ANY O-RING, SEALING JOINTS, AND/OR PIVOTAL POINTS. 

2. APPLY NSF COMPLIANT LOCTITE TO THREADED AREA. 

