



TRIM FOR PRESSURE BALANCE CONCEALED BATH OR SHOWER MIXER WITHOUT DIVERTER

ROHL Country Bath Arcana

AC100X - (Cross Handle)

AC100L - (Ornate Metal Lever)

AC100LM - (Classic Metal Lever)

AC100OP - (Ornate Porcelain Lever)

FEATURES

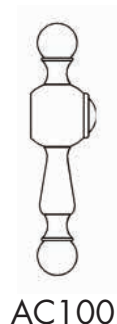
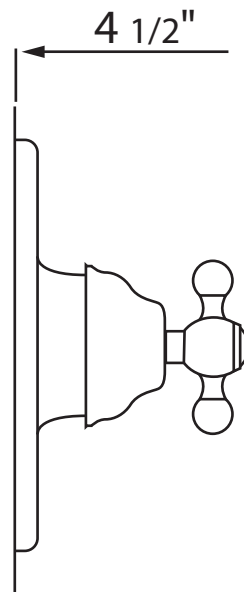
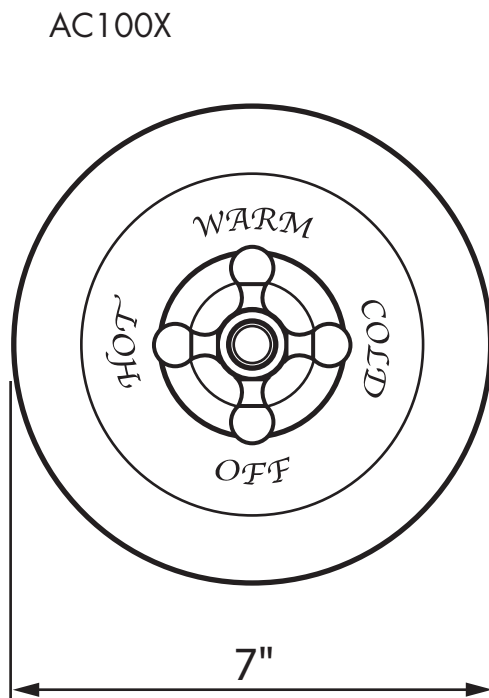
- Pressure balance concealed bath or shower mixer trim
- Coverplate, dome, and handle made from solid brass
- **Must order RMV-1 rough to complete**

FINISHES

- Polished Chrome
- Polished Nickel
- Satin Nickel
- Tuscan Brass
- Inca Brass

WARRANTY

- Limited Lifetime
- * No Warranty on Tuscan Brass Finish (TCB)



AC100L

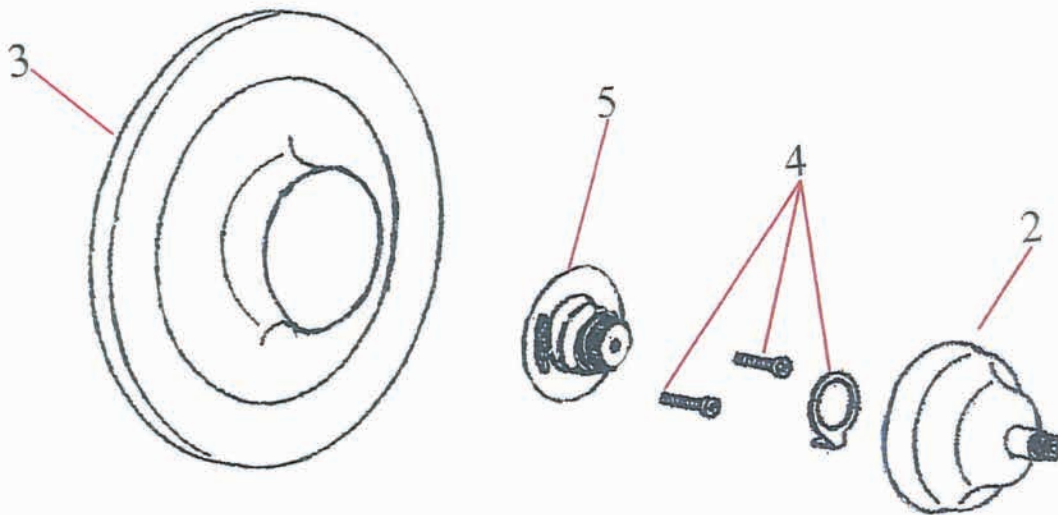


AC100OP



AC100LM

AC100 Spare Parts

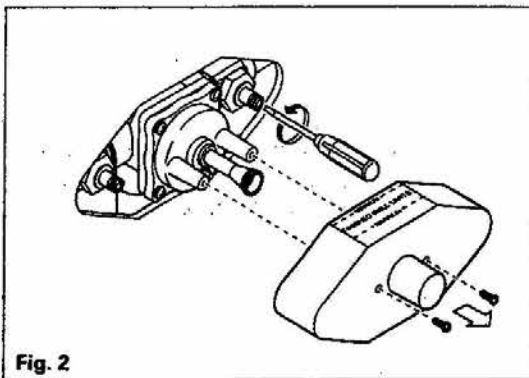
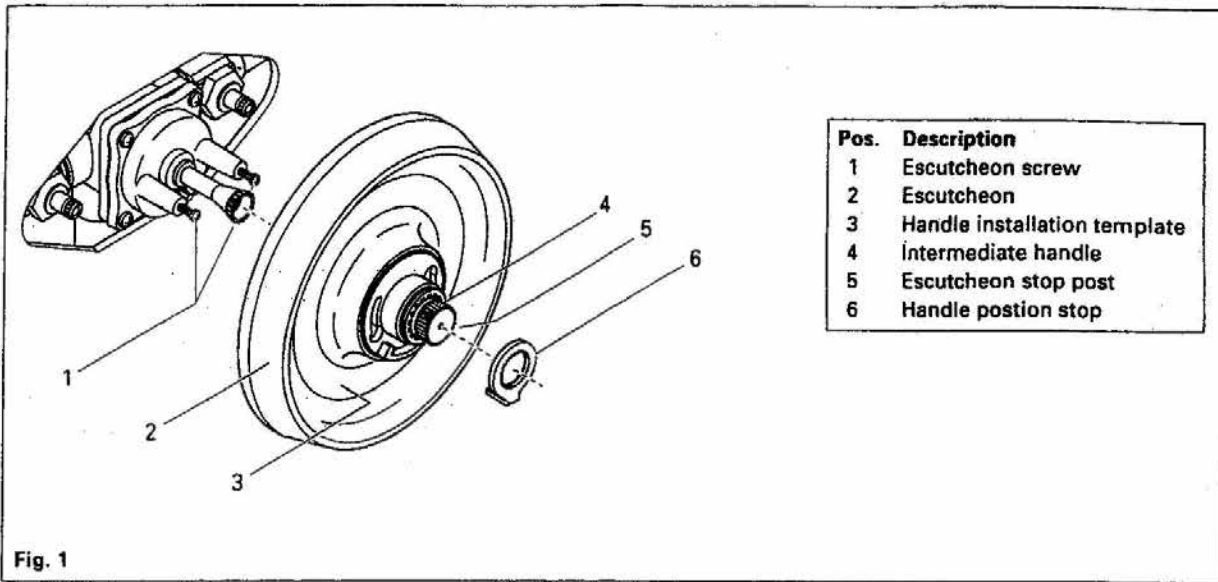


Part Details:

1. Lever Options		L (Ornate Metal Lever)	LM & LP (Classic Metal Lever & Porcelain Lever)	X (Cross Handle)
OP (Ornate Porcelain Lever)				
	ZZ9736602	ZZ922810	ZZ9509402 (LM) ZZ9315802 (LP)	ZZ9341602
2. Cover with Spindle				ZZ931640*
3. Faceplate Escutcheon				ZZ931630*
4. Hot Limit Stop with Faceplate Screws				2303-1210
5. Intermediate Handle Assembly				2303-0347

Installation Instructions

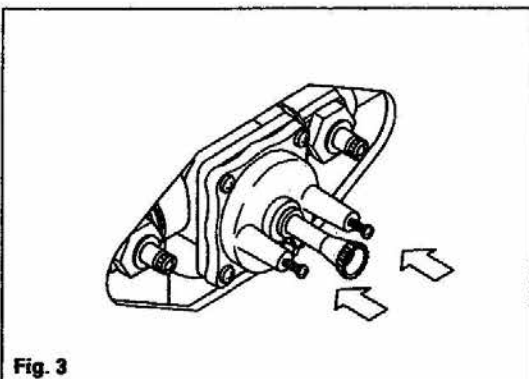
Trim Set for Concealed Valves
Installation Instructions



Installation

NOTE: Failure to follow these instructions may cause damage or improper operation and nullify the warranty!

- Remove the two screws from the finish wall template, then remove the template.
- Make sure the hot and cold water supply is fully open using the service stop valves, if available.



- Install the two packaged escutcheon screws into the valve cover tappings. These screws allow for variation in wall thickness when mounting the escutcheon to the valve cover.

Consult your local ROHL showroom for additional information and specifications. For complete warranty details and a list of showrooms, go to www.rohlhome.com.

Installation Instructions

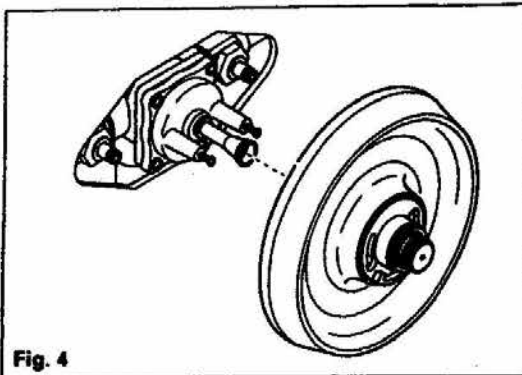


Fig. 4

- Line up the escutcheon screw heads with the pre-cut notches in the center of the escutcheon.

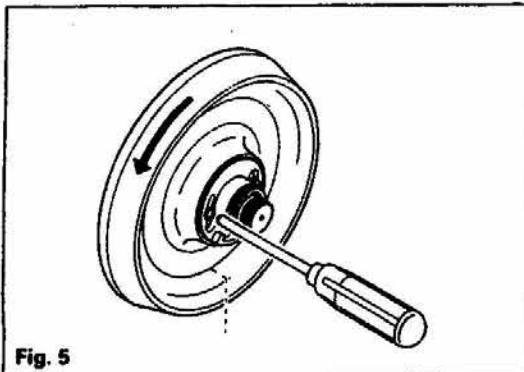


Fig. 5

- Slide the escutcheon over the screw heads and rotate the escutcheon counterclockwise until the center line arrow on the handle installation template is vertical and pointing down.
- Tighten the escutcheon screws so the escutcheon is aligned and is tight to the wall so as not to slip or rotate.

Setting Handle Position Stop

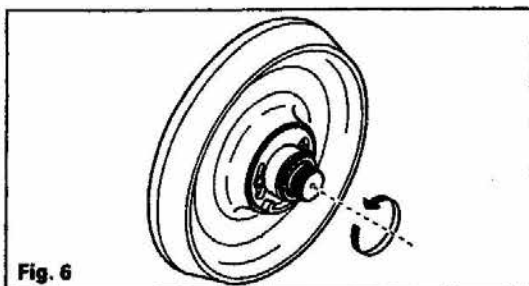


Fig. 6

- Rotate the intermediate handle counterclockwise until a desired and safe hot water temperature is reached (recommended maximum is 110 °F / 43.3 °C).

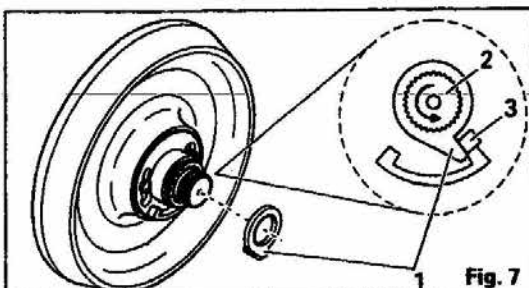


Fig. 7

- Place the handle position stop (1) over the splines on the intermediate handle (2) with the stop ring resting against the escutcheon stop post (3).

Installation Instructions

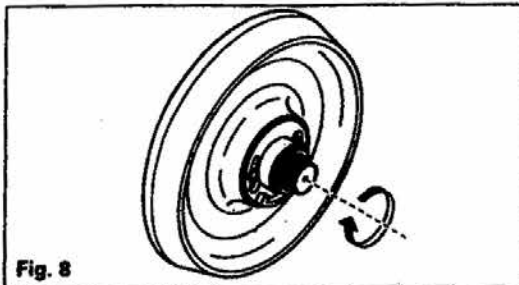


Fig. 8

- Rotate the intermediate handle clockwise until it stops, closing the valve.

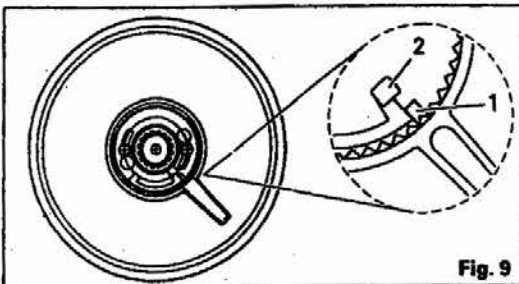


Fig. 9

- Place the lever handle onto the intermediate handle, lining up the handle stop (1) with the escutcheon stop post (2).

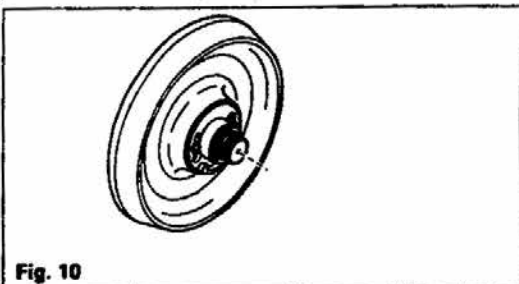


Fig. 10

- Install handle screw and fasten to the intermediate handle.
- Gently press the handle button into place.

Spare Parts

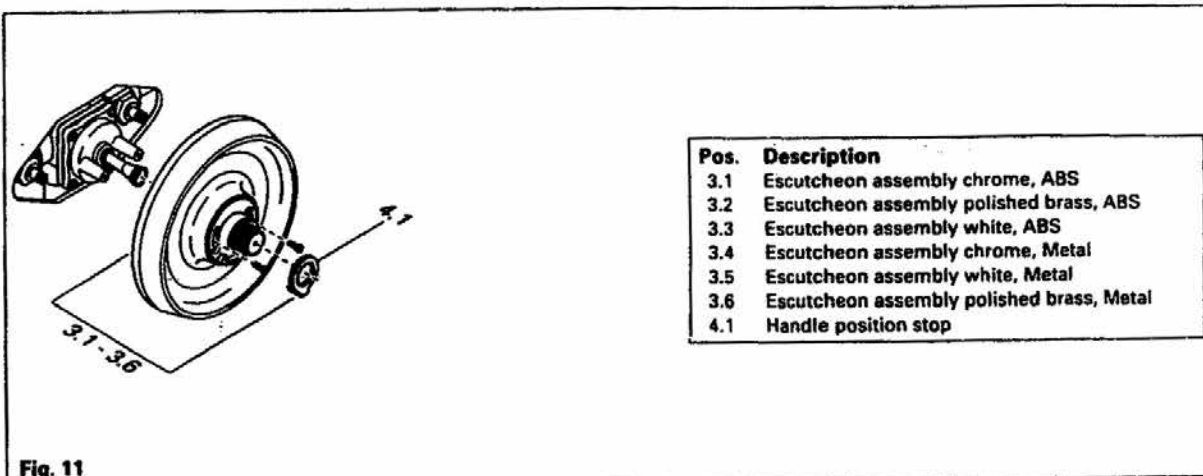


Fig. 11

Installation Instructions

Trouble Shooting

MALFUNCTION	CAUSE	REMEDY
Shower control opening through hot.	Hot and cold water supplies have been connected in reverse.	Rotate cartridge as described in "Pressure Balancing Valve Installation Instructions".
Tub filler or shower head drips after shutting off the valve.	Water remains in the piping column to the shower head. (This is normal) Incorrect setting of the mechanical stop against the stop pin causing a partially opened cartridge. O-ring seal on the inlet of the cartridge is faulty.	Allow approximately 3-5 minutes to drain column, or push lever on tub spout to the tub fill position.* Reset the mechanical stop as described in "Pressure Balancing Valve Installation Instructions". Check the O-ring for cuts or damage and replace if necessary.
Shower insufficiently hot.	Adjustable handle position stop incorrectly set.	Refer to the instruction on "Setting handle position stop". Check hot water source for temperature setting.
Valve body too deep into wall. No flow of hot or cold water.	The measured rough in or finished wall surface is incorrect. Either the hot or cold side is not fully pressurized. Debris caught inside the inlet of the cartridge. Valve could be installed too deep.	Install either the 1/2" or 3/4" extension kit. Be sure service stops are both wide open and system is fully pressurized. Remove cartridge and flush out or remove any debris lodged inside the hot or cold inlets. Install either the 1/2" or 3/4" extension kit.

***Note: At no time try to stop dripping by applying extreme force when closing the valve!**

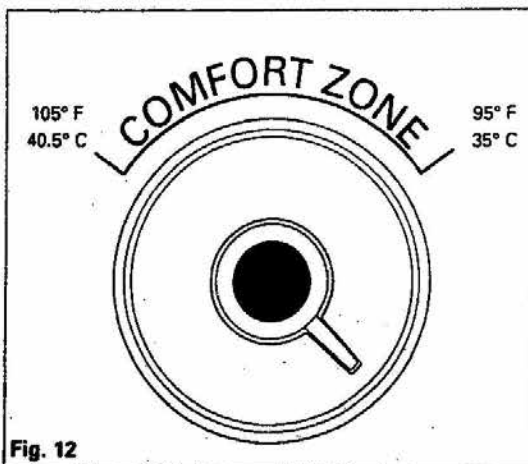


Fig. 12

Operation

A counterclockwise rotation opens the valve beginning with cold water. This prevents accidental scalding. A handle position stop can be adjusted to limit the exposure to an extremely hot mixed water temperature. To close the valve, you again return through cold water.

The valve's comfort zone ensures a safe, reliable and precise adjustment of mixed water temperature in the range from 95°F (35°C) to 105°F (40.5°C).

The featherlight touch of the lever handle provides simple and easy control for the young or elderly.

WARNING! At no time try to stop dripping by applying extreme force when closing the valve.

Maintenance

Warning! Many household cleaners contain mild abrasives or chemicals and should never be used for cleaning chromium plated, gold plated, or other special finishes. These finishes should be cleaned using a mild detergent or soap solution, a soft cloth, and always wiped dry for best results.