



SINGLE-HOLE PEDESTAL LAVATORY

Vitreous China

RFE2370

FEATURES

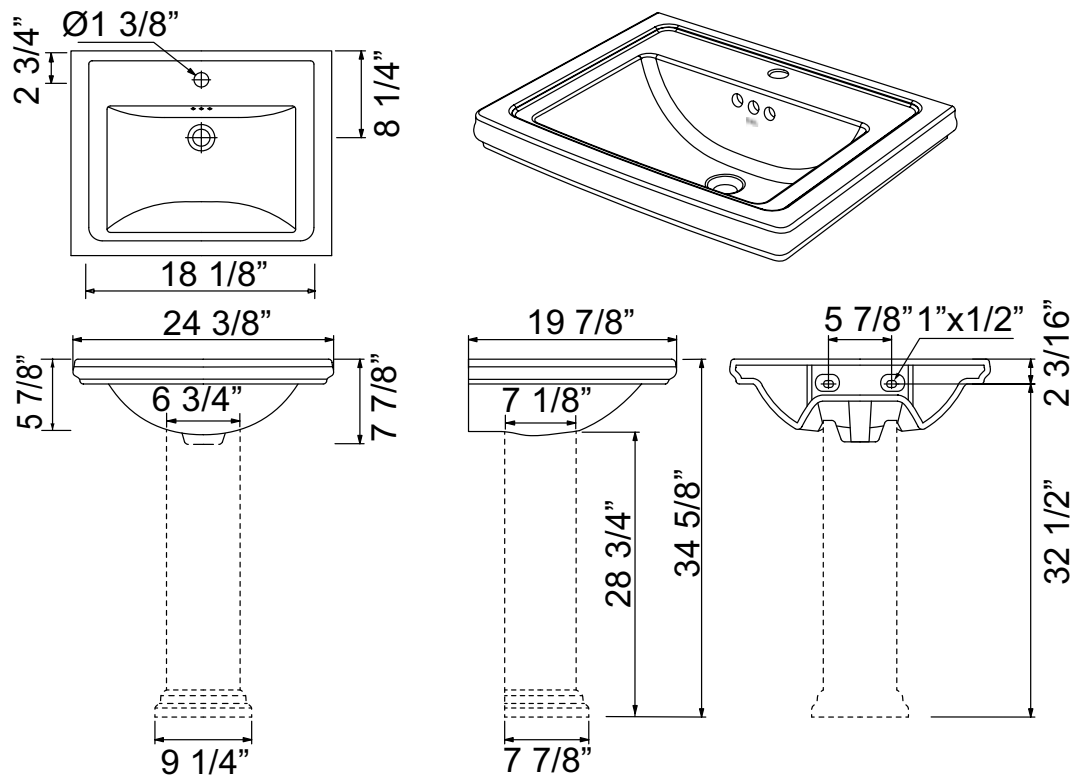
- 24 3/8" x 19 1/2" External dimension
- 34 5/8" height for maximum comfort with RFE2371 pedestal
- Spacious basin with rear overflow
- Drilled for single-hole faucet
- Mounting hardware included
- For use with RFE2371 pedestal
- Includes ROHL logo

COLORS/FINISHES

- White
- Biscuit

WARRANTY

- 1 year on manufacturer defects



INSTALLATION INSTRUCTIONS

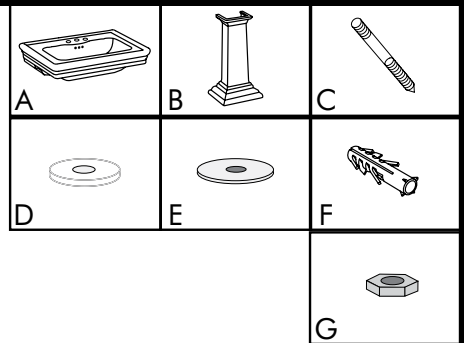
Pedestal Installation Instructions

- RFE2370WH and RFE2370BS
- RFE2371WH and RFE2371BS
- RFE2373WH and RFE2373BS

INSTALLATION PROCEDURE

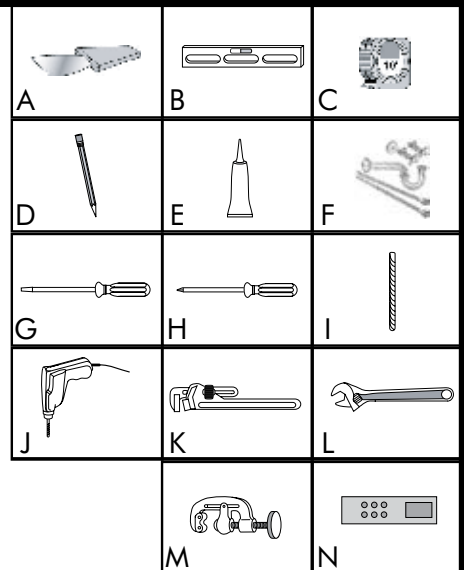
PARTS:

A Pedestal Basin	
B Pedestal Leg	
C Hanger Bolts	x2
D Plastic Washers	x2
E Steel Washers	x2
F Wall Anchors	x2
G Stainless Steel Nuts	x2



TOOLS AND MATERIALS REQUIRED:

A Putty Knife
B Carpenter's Level
C Measuring Tape
D Pencil
E Bathroom Silicone or Caulking
F Lavatory Water Supply Kit
G Regular Screw Driver
H Philips Screw Driver
I Drill Bits (5/8" or 1/8")
J Drill
K Pipe Wrench
L Adjustable Wrench
M Tubing Cutter
N Stud Finder (Optional)



INSTALLATION INSTRUCTIONS

Pedestal Installation Instructions

- RFE2370WH and RFE2370BS
- RFE2371WH and RFE2371BS
- RFE2373WH and RFE2373BS

INSTALLATION PROCEDURE

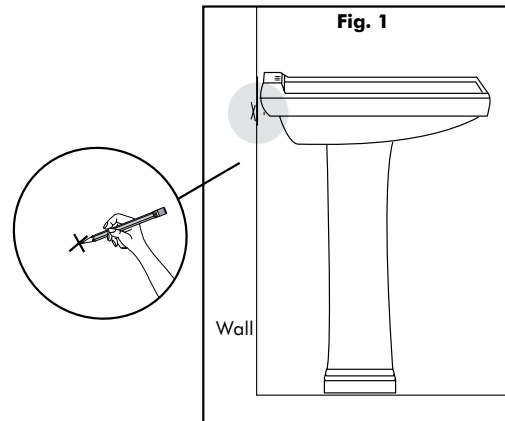
1 Shut off the water supply then disconnect and drain the water supply lines.

2 Locate proper position for pedestal lavatory. Make sure that you have access to all plumbing and drain fittings, door clearance and any other obstructions.

3 Place pedestal basin on pedestal leg and move into the desired position against the wall. Make sure that the pedestal basin is levelled on the pedestal leg. With a pencil, mark the location of the pedestal basin support holes on the wall. (Figure 1)

4 On marked location on the wall, drill holes for anchors if the pedestal will not be attached onto a stud. If the pedestal will be mounted onto a stud, then drill holes for hanger bolts.

5 Carefully remove pedestal basin from pedestal leg and install faucet and pop-up assembly as per the manufacturers installation instructions.



INSTALLATION INSTRUCTIONS

Pedestal Installation Instructions

- RFE2370WH and RFE2370BS
- RFE2371WH and RFE2371BS
- RFE2373WH and RFE2373BS

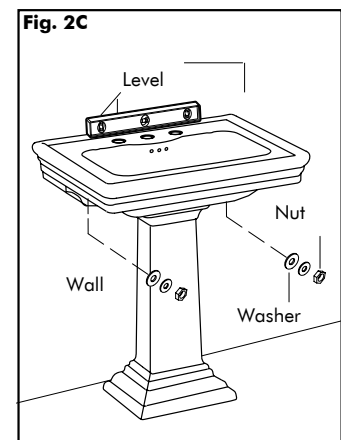
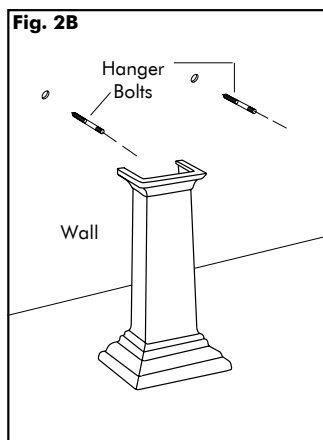
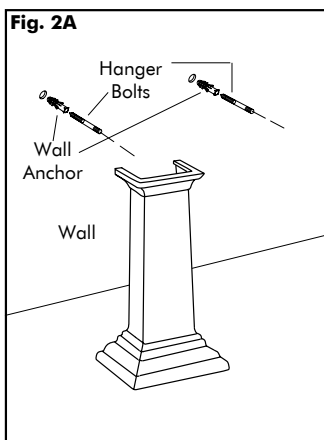
INSTALLATION PROCEDURE

6 If installing directly onto the wall without a stud, use wall anchors with hanger bolts. With anchors already securely inserted into the wall, screw in hanger bolts as per (Figure 2A). Then place the pedestal basin on the pedestal leg. Slide the complete unit into the desired position on the wall at the same time pushing into the hanger bolts. Tighten with washers and nuts (supplied). (Figure 2C)

OR

If installing directly onto a stud, use hanger bolts only. (Figure 2B) Place the pedestal basin on the pedestal leg. Then slide the complete unit in the desired position on the wall. At the same time pushing into the hanger bolts. Tighten with washers and nuts (supplied). (Figure 2C)

Caution: Do not over tighten as this could break the porcelain. Please Note: Pedestal leg should be supporting the pedestal top, since the bolts are not designed to hold the weight of the pedestal top.



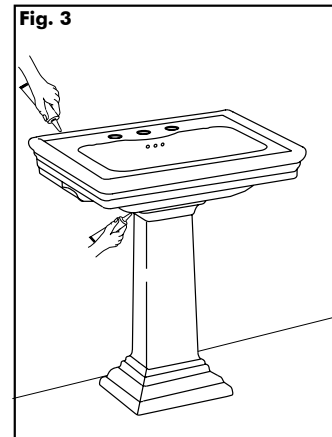
INSTALLATION INSTRUCTIONS

Pedestal Installation Instructions

- RFE2370WH and RFE2370BS
- RFE2371WH and RFE2371BS
- RFE2373WH and RFE2373BS

INSTALLATION PROCEDURE

- 7** Apply a neat bead of bathroom silicone or caulking around the edge of pedestal basin and where the basin contacts the wall and where the pedestal basin connects onto the pedestal leg. (Figure 3)



- 8** Complete any final plumbing connections, such as the lavatory supply kit, as per manufacturer's instructions.

CARE AND MAINTENANCE

- 1** Wipe the outside of the pedestal with a non-abrasive cleaner and a soft towel. Make sure that the complete surface is cleaned and dried.

NOTE: IMPROPER CARE MAY CAUSE THE WARRANTY TO BECOME INVALID.

INSTALLATION INSTRUCTIONS

WARRANTY

**ROHL products all carry warranties against manufacturing defects.
The factories that produce these products set the terms of these warranties.**

Bath Fixtures 1 year on manufacturer defects

ROHL's Promise

ROHL LLC will provide free of charge, at its options, replacement part(s) or product (or a comparable alternative product) to replace those which have proven defective in materials or workmanship.

ROHL LLC will not assume liability for labor expended, freight cost or damages accruing from the use of the material purchased from us. If material is defective, the limit of damage is the price of the defective material. Proof of purchase (original sales receipt) from the original consumer purchaser must be made available to ROHL LLC for all warranty claims. The warranty is not transferable and is extended solely to the original purchaser of the product.

Warranty Exclusion

This warranty is for normal domestic use only and excludes defect or injury caused by or resulting from misuse, abuse, neglect, accidental damage, or improper installation.

General Disclaimer

All warranties other than the Express Warranty herein contained, including but not limited to any implied warranty of merchantability or fitness for a particular purpose, are limited in duration to the applicable warranty period set forth above. Some states do not allow limitations on how long an implied warranty lasts and some states do not allow the exclusion or limitation of incidental or consequential damages, so the above limitations or exclusions may not apply to you. This warranty gives you specific legal rights and you may also have other rights that vary from state to state.

Commercial Warranty

ROHL warrants its products installed in a commercial application to be free from manufacturing defects for a period of one (1) year from the date of acquisition by original owner.

Outside Use

ROHL products are suitable for outside use. However, due to the harsh environment of sun, wind, rain and snow, we do not offer a warranty for these types of installations.