

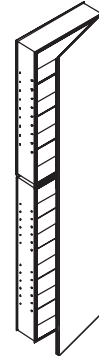
Features

- Recess or surface mount
- Colored glass or tinted mirror doors with mirrored, matte silver interior
- 3-way adjustable concealed hinge system
- SAFESEAL® gasket frame
- Patented swing-out magnifying mirror
- Rust-free aluminum construction
- Right hinge door
- Seven adjustable glass shelves
- 19-1/4" (48.9 cm) W x 70" (177.8 cm) H x 6-5/8" (16.8 cm) D

RIGHT HAND

MF20D6F11R

ALSO MF20D6F12R, MF20D6F13R,
MF20D6F14R, MF20D6F15R, MF20D6F16R,
MF20D6F17R, MF20D6F18R, MF20D6F19R



Codes/Standards Applicable

Specified model meets or exceeds the following:

- None applicable

Specified Model

Model	Description	
MF20D6F11R	Tinted Gray Mirror, right hand	<input type="checkbox"/>
MF20D6F12R	Satin Bronze, right hand	<input type="checkbox"/>
MF20D6F13R	Satin Gray, right hand	<input type="checkbox"/>
MF20D6F14R	Champagne Mesh, right hand	<input type="checkbox"/>
MF20D6F15R	Onyx Mesh, right hand	<input type="checkbox"/>
MF20D6F16R	Hammered Oil Rubbed Bronze, right hand	<input type="checkbox"/>
MF20D6F17R	Hammered Platinum, right hand	<input type="checkbox"/>
MF20D6F18R	Vintage Ivory, right hand	<input type="checkbox"/>
MF20D6F19R	Satin White, right hand	<input type="checkbox"/>

NOTE: Additional hardware is required for installing cabinets side-by-side.

Required Accessories - For Surface Mount and Semi-Recessed Installations Only

MFSK70D611	Tinted Gray Mirror side kit - surface mount	<input type="checkbox"/>
MFSK70D612	Satin Bronze side kit - surface mount	<input type="checkbox"/>
MFSK70D613	Satin Gray side kit - surface mount	<input type="checkbox"/>
MFSK70D614	Champagne Mesh side kit - surface mount	<input type="checkbox"/>
MFSK70D615	Onyx Mesh side kit - surface mount	<input type="checkbox"/>
MFSK70D616	Hammered Oil Rubbed Bronze side kit - surface mount	<input type="checkbox"/>
MFSK70D617	Hammered Platinum side kit - surface mount	<input type="checkbox"/>
MFSK70D618	Vintage Ivory side kit - surface mount	<input type="checkbox"/>
MFSK70D619	Satin White side kit - surface mount	<input type="checkbox"/>
MFSK70D6SR11	Tinted Gray Mirror side kit - semi-recess mount	<input type="checkbox"/>
MFSK70D6SR12	Satin Bronze side kit - semi-recess mount	<input type="checkbox"/>
MFSK70D6SR13	Satin Gray side kit - semi-recess mount	<input type="checkbox"/>
MFSK70D6SR14	Champagne Mesh side kit - semi-recess mount	<input type="checkbox"/>
MFSK70D6SR15	Onyx Mesh side kit - semi-recess mount	<input type="checkbox"/>
MFSK70D6SR16	Hammered Oil Rubbed Bronze side kit - semi-recess mount	<input type="checkbox"/>
MFSK70D6SR17	Hammered Platinum side kit - semi-recess mount	<input type="checkbox"/>
MFSK70D6SR18	Vintage Ivory side kit - semi-recess mount	<input type="checkbox"/>
MFSK70D6SR19	Satin White side kit - semi-recess mount	<input type="checkbox"/>

M SERIES DECORATIVE CABINET

Required Accessories - For Ganging Multiple Cabinets Only

MHANDLEKIT	Chrome handle - required when ganging MF cabinets or	<input type="checkbox"/>
MPUSHKIT	Push-to-open mechanism - required when ganging MF cabinets	<input type="checkbox"/>
MSFMF	Stack filler - required when ganging surface-mounted MF with MT cabinets	<input type="checkbox"/>
MFGKIT	MF ganging kit - hardware required for installing 2 or 3 cabinets side-by-side	<input type="checkbox"/>

NOTE: MF cabinets cannot be ganged with MP cabinets.

Optional Accessories

SLB20D6	Safety-lock box	<input type="checkbox"/>
---------	-----------------	--------------------------

Light options and additional accessories are available. Refer to the Price Guide for more information.

Technical Information

Roughing-in opening	18-1/2" (47 cm) W x 69-1/4" (175.9 cm) H x 6" (15.2 cm) D
Door opening angle	170°

Installation Notes

Install this product according to the installation guide.

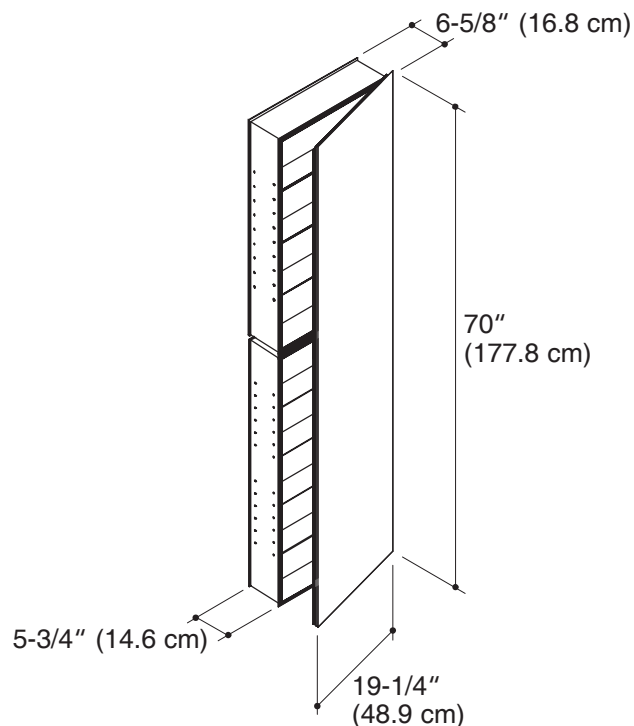
When determining the height of the mirrored cabinet, ensure the mirrored door will clear all obstacles, such as a faucet. A minimum distance of 1" (2.5 cm) is required.

Secure the screws (provided) to a stud to avoid possible property and product damage. If this is not possible, anchors (provided) must be inserted before installing the screws.

Modular components can be joined horizontally.

When ganging cabinets: rough opening width = total width of all cabinets and lights minus 3/4" (1.9 cm).

Recessed cabinets project 7/8" (2.2 cm) from wall.



Product Diagram