

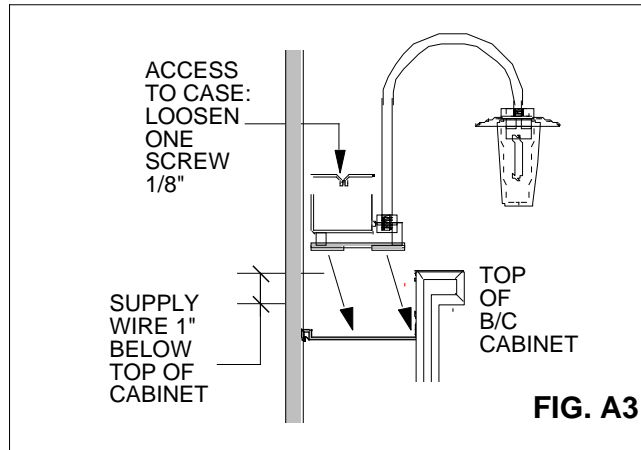
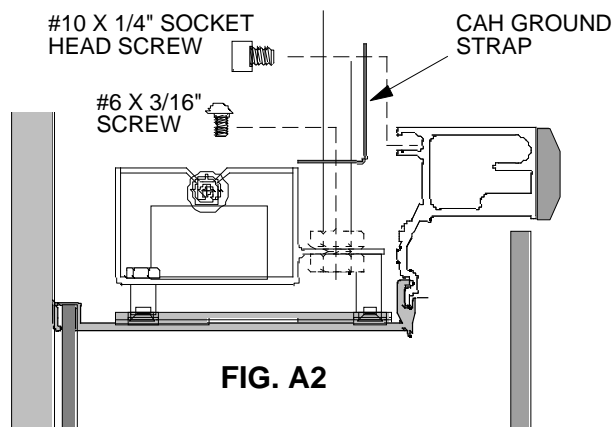
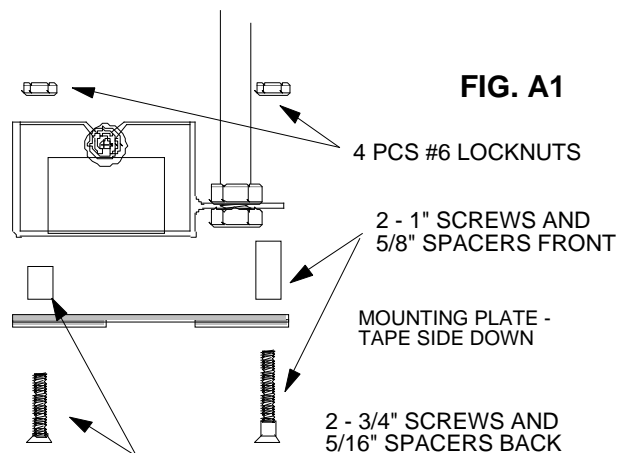
ROBERN CAH LIGHT FIXTURES - HALOGENS FOR ROBERN CABINETS

GENERAL NOTES (LIGHT REFERED TO AS "CAH")

1. THE CAH LIGHTS ARE DESIGNED TO ATTACH TO THE TOP OF A SURFACE MOUNTED ROBERN CABINET. THE CABINET CANNOT BE RECESSED WITH THIS LIGHT. A WALL SWITCHED SUPPLY WIRE IS REQUIRED.
2. IF YOU EXPERIENCE ANY PROBLEMS WITH YOUR LIGHTS CONTACT YOUR DEALER OR ROBERN DIRECTLY.
ROBERN, INC. • 7 WOOD AVENUE • BRISTOL, PA 19007 • 215.826.9800 • 800.877.2376 • FAX 215.826.9633
3. THE CAH FIXTURES WILL ACCEPT UP TO 50 WATT BULBS
CAH-A USES TYPE JC BULBS, CAH-B USES MR-16 BULBS W/ COVER GLASS. UL LISTED FOR DAMP LOCATIONS.
4. BULBS ARE NOT SUPPLIED WITH FIXTURES. BULBS ARE AVAILABLE FROM MOST HARDWARE STORES, ELECTRICAL SUPPLY HOUSES OR VIA MAIL ORDER FROM PL BATH @ 800.488.BATH.
5. IT IS SUGGESTED THAT THE FIXTURES BE USED WITH A STANDARD DIMMER TO CONTROL THE VERY HIGH LIGHT LEVELS THESE FIXTURES CAN PRODUCE.
6. THESE FIXTURES ADDS 5" TO THE OVERALL HEIGHT OF A B/C CABINET (6" FOR SERIES M/F) INSTALLATION. LAYOUT OF THE LIGHTS OVER THE CABINET IS UP TO THE INSTALLER. SUGGESTED LAYOUTS ARE SHOWN.

INSTALLING THE FIXTURE CAHC FOR B/C CABINETS.

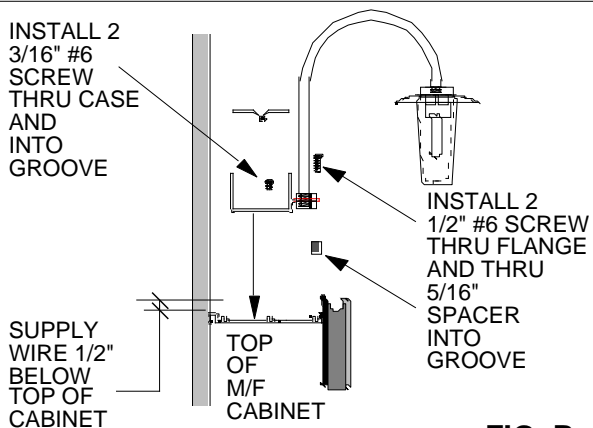
1. THE SUPPLY WIRE LOCATION IS AS SHOWN IN FIG. A3.
2. ATTACH THE MOUNTING PLATE TO THE BOTTOM OF THE FIXTURE AS SHOWN IN FIG. A1
3. CLEAN THE TOP OF THE CABINET THOROUGHLY. IT MUST BE VERY CLEAN, DRY AND FREE OF GREASE OR OIL. USE RUBBING ALCOHOL.
4. MARK THE DESIRED LOCATION OF THE FIXTURE OR FIXTURES WITH A PENCIL ON THE CABINET.
5. REMOVE TAPE LINER AND PRESS FIXTURE INTO PLACE FIRMLY. AS SHOWN IN FIG. A2 & A3.
6. ATTACH THE GROUND / SAFETY STRAP BETWEEN FIXTURE AND CABINET AS SHOWN IN FIGURE A2.



INSTALLING THE FIXTURE CAHM FOR M/F CABINETS.

1. THE SUPPLY WIRE LOCATION IS AS SHOWN. CONNECT THE FIXTURE AS SHOWN IN FIG. C. ACCESS TO WIRING CASE PER FIG. A.
2. MARK THE DESIRED LOCATION OF THE FIXTURE OR FIXTURES WITH A PENCIL ON THE CABINET.
3. INSTALL THE SCREWS SUPPLIED INTO THE GROOVES IN THE TOP OF THE CABINET. BE SURE TO USE THE 5/16" SPACER IN THE FRONT AS SHOWN IN FIG. B.

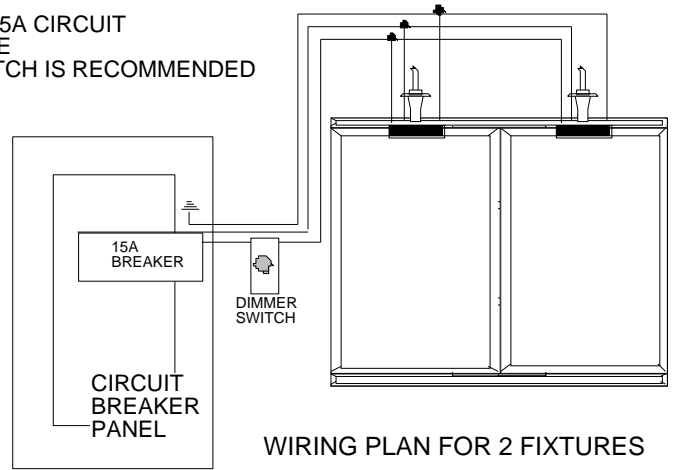
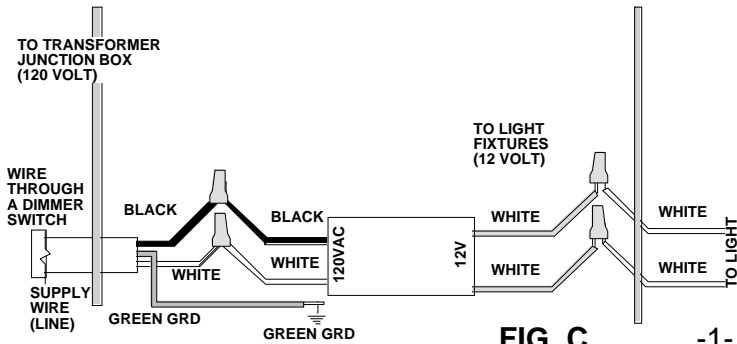
WARNING: INSTALL SCREWS BY HAND, DO NOT OVERTIGHTEN.



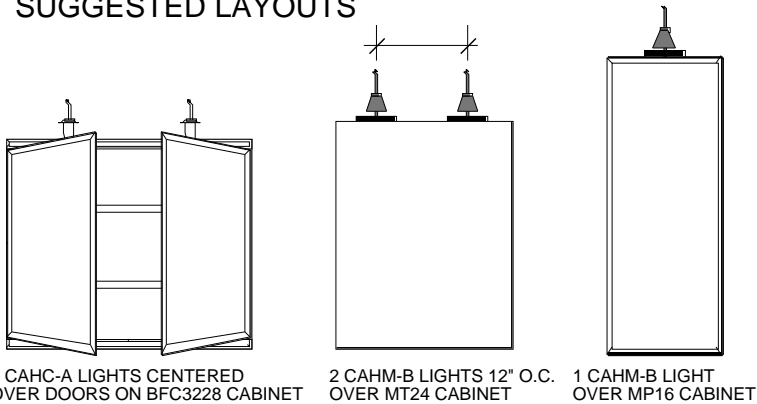
ELECTRICAL HOOK UP (FIG. C.)

CAH • USE A 120VAC 15A CIRCUIT
 50W MAX PER FIXTURE
 NOTE: A DIMMER SWITCH IS RECOMMENDED

SUPPLY WIRE CONNECTION



INSTALLING THE CAH LIGHTS - SUGGESTED LAYOUTS



Limited Warranty One Year Term

Robern warrants to the original purchaser that, it will, at its election repair, replace, or make appropriate adjustment to products made by this company shown to have significant defects in material or workmanship which are reported to Robern in writing within one (1) year from the date of delivery. Robern is not responsible for installation costs.

The warranty time period for operating components including door hinges and opening devices to the original owner extends beyond the one year term.

The warranty is void in the event the product is damaged in transit, or if damage or failure is caused by abuse, misuse, abnormal usage, faulty installation, damage in an accident, improper maintenance, or any repairs other than those authorized by Robern. At the expiration of the one year warranty period, Robern shall be under no further obligation under any warranty, expressed or implied, including the implied warranty of merchantability.

Robern shall not be liable for any consequential damages arising out of or in connection with the use or performance of its products. Some states do not allow limitations on how long an implied warranty lasts or do not allow the exclusion or limitation of incidental or consequential damages, so the above limitation or exclusion may not apply to you.

Any liability against Robern under any implied warranty, including the warranty of merchantability, is expressly limited to the terms of this warranty.

Permission to return any merchandise under this warranty must be authorized by Robern and returned prepaid by the purchaser.

Claims under this warranty should be sent directly to your dealer.

PARTS (CHECK BOX LABEL FOR QTY & MODEL)

- FOR B/C CABINETS
 CAHC-A CHROME AND GLASS
 OR
 CAHC-B ALL CHROME FIXTURE
 OR
 FOR M & F CABINETS
 CAHM-A CHROME AND GLASS
 OR
 CAHM-B ALL CHROME FIXTURE

- HARDWARE BAG for CAHM

- 2 #6 X 1/2" SCREWS
- 2 #6 X 3/16" SCREWS
- 2 5/16" ALUMINUM SPACER
- 2 ORANGE WIRE NUTS

OR

- HARDWARE BAG FOR CAHC

- 2 #6 X 3/4" FLAT HEAD SCREWS
- 2 #6 X 1" FLAT HEAD SCREWS
- 2 5/8" ALUMINUM SPACER
- 2 5/16" ALUMINUM SPACER
- 4 #6 LOCK NUTS
- 1 CAHC MOUNING PLATE
- 1 CAHC GROUNDING STRAP
- 1 #6 X 3/16" SCREW
- 1 #10 X 1/4" SOCKET HEAD SCREW
- 2 ORANGE WIRE NUTS