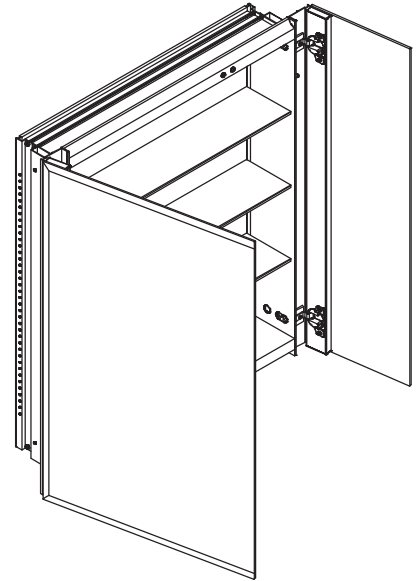


Features

- Recess or surface mount
- Ideal for remodeling: features 1" (2.5 cm) flange to hide gaps, paint lines or any wall imperfections
- Unique 2-door door construction for easy access to frequently used items
- Slow-close functionality
- 108-degree in-set adjustable hinge
- Clean interior due to "hidden" shelf adjustments and off-set door hinge (patent pending)
- 3 Mirror construction: front of door, back of door and inside of cabinet
- Low-profile laminated door design
- Thin door and off-set hinge allow for more storage than any cabinet of similar size
- Anodized aluminum construction
- Three adjustable, cantilever glass shelves
- 24" (61 cm) W x 26" (66 cm) H x 4-3/4" (12.1 cm) D

RC2426D4FB2

ALSO RC2426D4FP2



Codes/Standards Applicable

Specified model meets or exceeds the following:

- None applicable

Specified Model

Model	Description	
RC2426D4FB2	Beveled edge	<input type="checkbox"/>
RC2426D4FP2	Plain edge	<input type="checkbox"/>
Required Accessories - For Surface Mount Installations Only		
RSMK26D4P	Plain mirror side kit with mounting hardware	<input type="checkbox"/>

R³™ SERIES FLAT TWO-DOOR CABINET

Technical Information

Roughing-in opening	22" (55.9 cm) W x 24" (61 cm) H x 4" (10.2 cm) D
Door opening angle	108°

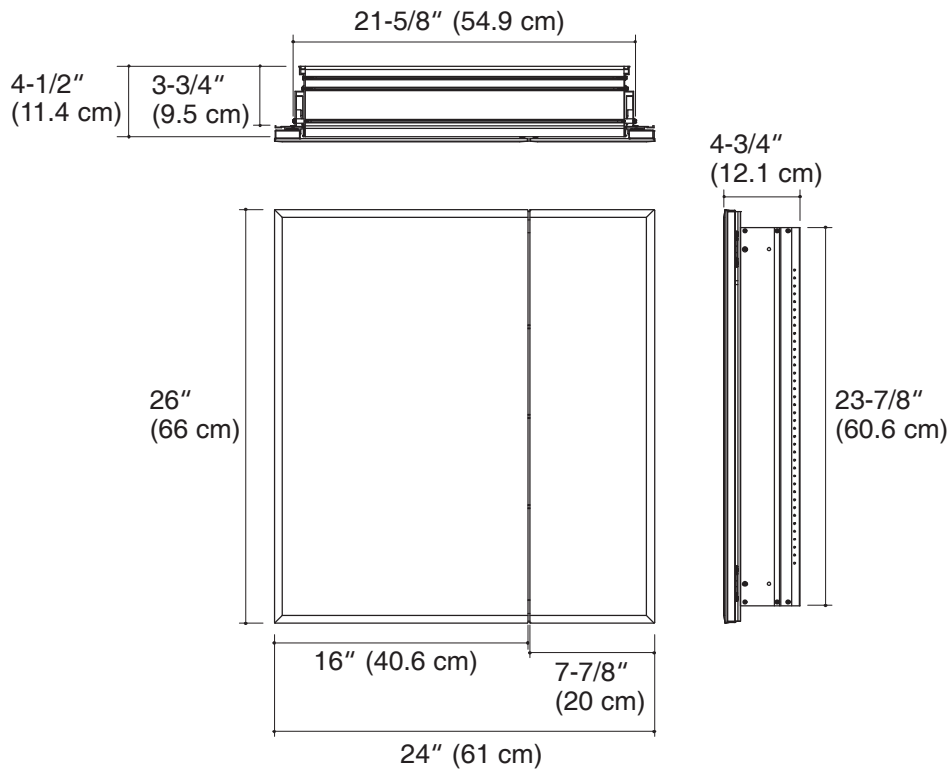
Installation Notes

Install this product according to the installation guide.

When determining the height of the mirrored cabinet, ensure the mirrored door will clear all obstacles, such as a faucet. A minimum distance of 1" (2.5 cm) is required.

Secure the screws (provided) to a stud to avoid possible property and product damage. If this is not possible, anchors (provided) must be inserted before installing the screws.

Recessed cabinets project 1" (2.5 cm) from wall.



Product Diagram