

PLW BATH CABINET INSTRUCTIONS

General Notes

- Unpack the cabinet. Check the box thoroughly for all hardware and loose parts as follows:
A. Cabinet B. Hardware Bag C. Shelving
D. "Z" Bracket
- Remove the doors from the cabinet (See Fig. B Hinge Screw 3) and store the doors in the cabinet box. Be sure edges of doors allows for fast and easy one person installation.
- A square and plumb installation insures proper door operation. A square and level are necessary for proper installation.
- Improper installation voids the warranty. Installed cabinets cannot be returned.
- If you experience any problems with your cabinet, contact your dealer or Robern directly. Have the serial number from inside the cabinet when you call.

Robern • 701 N Wilson Ave • Bristol, PA 19007
800 877 2376 • FAX 215 826 9633

PLW Model Number Designations

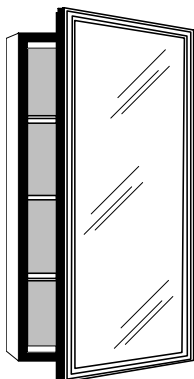
Product Number	Product Type	Product Description
PLW See page 6	Cabinet	Rotate for left/right hand opening
PLSK30	Side Kit	For surface mounting
PLLWSCH PLLWSBN	Light Fixture	Incandescent light - Chrome Incandescent light - Brushed Nickel
PLLWS Frames See page 6	Light Fixture Frame	Matching frame for fixture

PLW1630 or PLW2430 Cabinet

5" deep overall width & height below

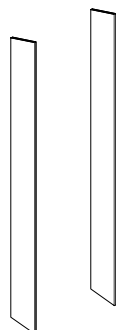
When recessed into the wall

- A. 3 3/4" in wall (4" deep)
- B. 1 1/4" projects out from wall.



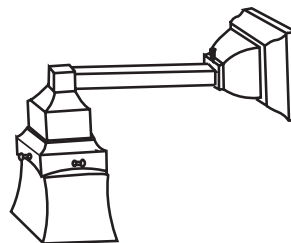
PLSK30 Side Kit

Purchased separately for surface mounted cabinets.



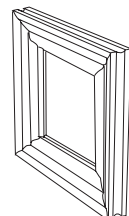
PLLWSCH or PLLWSBN Light Fixtures

Purchased separately. Can be mounted next to or above cabinet.



PLLWS Frames

Optional for PLLWS light.



Selecting Location • Surface and Recess

1. Carefully select the cabinet location, keeping in mind the following:

A. Clearance from faucets must be determined.

B. Side clearance for door swing should be checked.

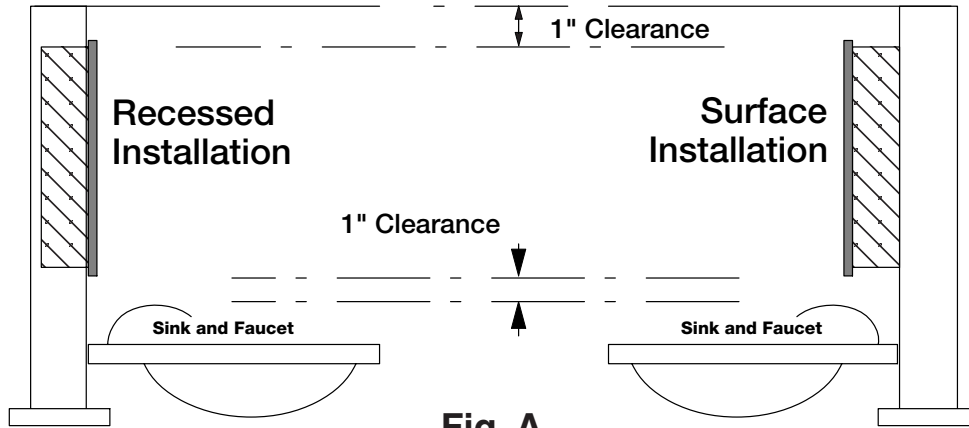
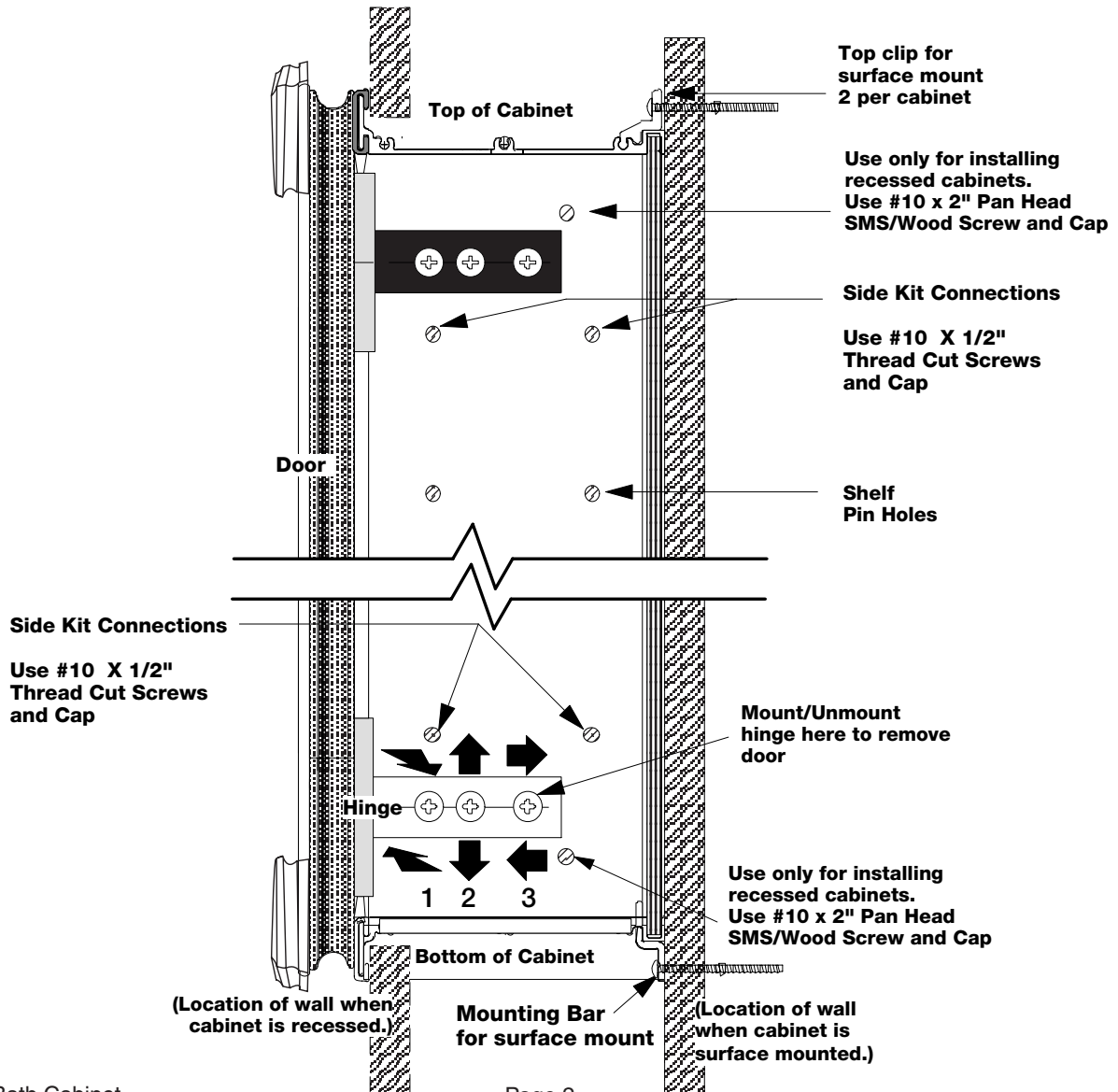


Fig. A

Vertical Cross Section of PLW1630 & PLW2430 Cabinet

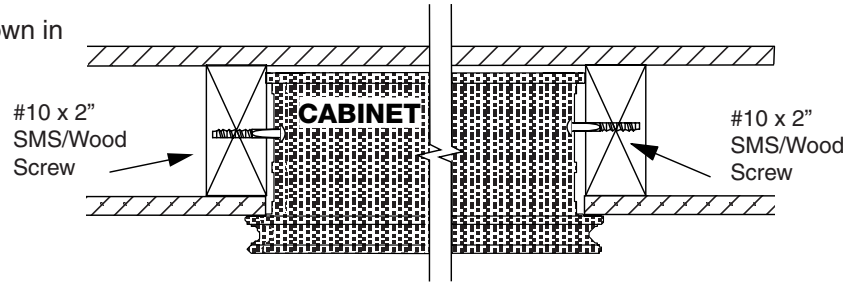
Fig. B



Recessed Cabinet Installation (See below for Surface Instructions)

1. The rough opening must be at least 4" deep and must be framed on all four sides to insure a strong installation.
2. Place the box into the rough opening. Be sure the bottom is level. Install a #10 x 2" pan head screw through the top hole shown in Figure B on page 2.
3. Be sure cabinet is square. Install screws as shown in Figure B. Do not over tighten screws.
4. Place black or white caps over screw heads.
5. Reinstall and adjust door. (See page 4 under checklist.)
6. Install shelf clips. These clips are designed for a tight fit. A slight twisting motion may be necessary. Install shelves as shown on page 5.

Fig. C



Surface Mounted PLW Installation (See above for Recessed Instructions)

1. Each cabinet is shipped with a 30" aluminum "Z" mounting bar. Cut this bar approximately 1" shorter than the overall width of your cabinet.
2. It is strongly recommended that a support similar to that used for a wall mounted sink be framed in the wall during construction as shown below. A completed three door unit is 80 lbs empty.
3. Drill a 7/32" hole through the indent line on the mounting bracket (See Figure D) at the stud or furring strip location. Use the plastic anchors supplied if no furring strip has been installed, making sure each cabinet is supported by at least three anchors. Be sure mounting bar is level.

Poly-Set Anchor Instructions for Hollow Walls

- A. Drill 9/32" hole and insert anchor until flange is flush.
- B. Insert #10 x 2" SMS/Wood Screw thru bracket and anchor. Continue to turn the screw to fully expand the anchor according to the chart below.

Total Wall Thickness	Turns after screw head is against bracket
1/2"	8-9 turns
5/8"	6-7 turns
3/4"	4-5 turns

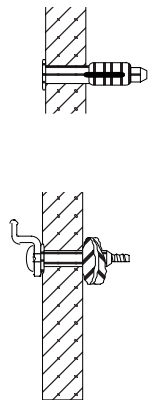


Fig. E

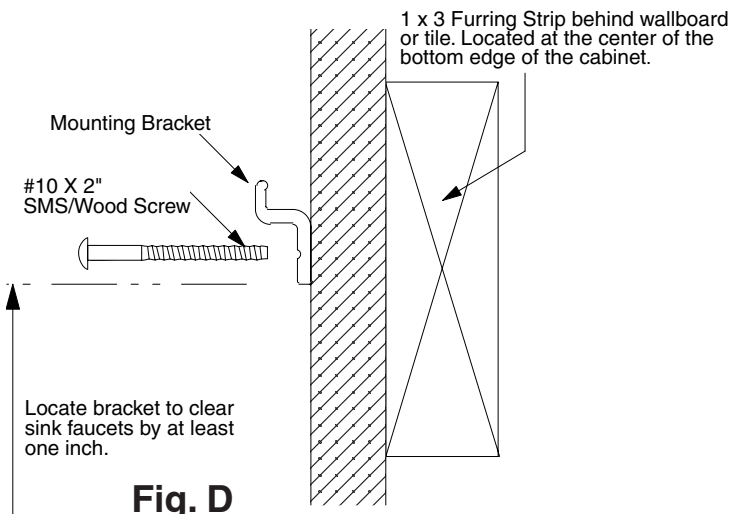


Fig. D

Surface Mounting the Top of the Cabinet

1. Two small "Z" clips are supplied for the top of each cabinet. These clips slide into the screw channel on top of the cabinet. Holes for the clips can be predrilled in the wall per dimensions shown in Figure E.
2. Mount the connected boxes into the bottom "Z" bracket. Tighten the top clips.
3. The PLSK30 Side Kit is used to finish the sides of a surface mount installation. Use the #10 x 1/2" connector block screws as shown in Figure G on page 4.
4. Follow the instructions 4 through 6 for recessed installation above.

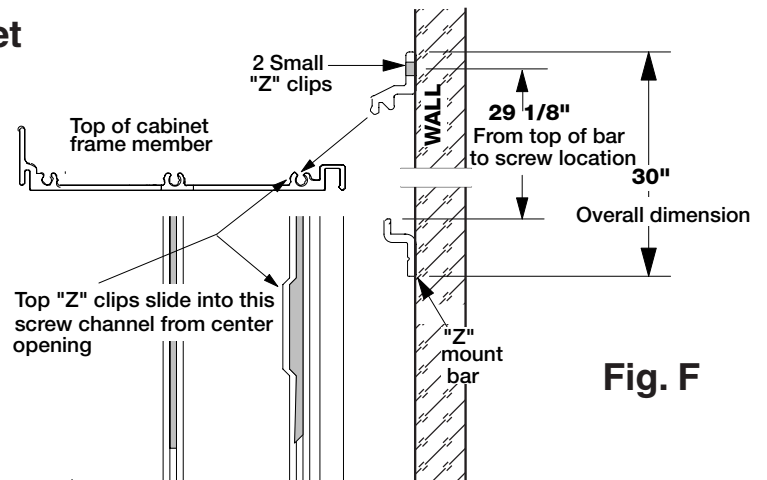
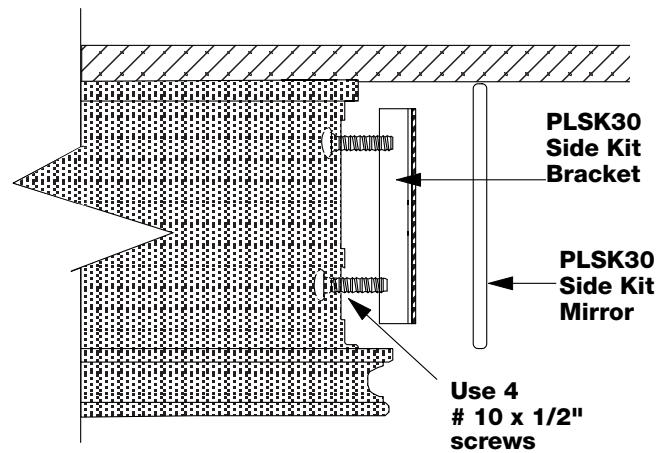


Fig. F

Surface Mounting the Top of the Cabinet - Side Kit Instructions

1. The PLSK30 Side Kit is used to finish the sides of a surface mount installation. Use the #10 x 1/2" connector block screws as shown in Figure G. Refer to the instructions supplied with the Side Kit for installation instructions.
2. Follow the instructions 4 through 6 for recessed installation on page 3.

Fig. G



Checklist • Care & Maintenance

1. Doors

A. The doors are provided with the three way adjustment feature. Height, level, and fit to frame gasket can be adjusted. The use of a #2 Phillips Screwdriver is recommended.

If door is out of level or too close to one side adjust door left or right with screw 1 on page 2, Figure B.

If door is too high or low adjust door down or up with screw 2 shown on page 2, Figure B. This screw is inside the hinge and requires the door to be opened to approx. 90° to access screw.

If door opens stiffly, squeaks, or rubs against gasket, adjust door outwards with screw 3 shown on page 2, Figure B.

2. Cleaning

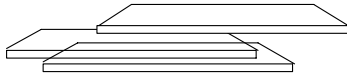
A. The cabinet door and interior are constructed of mirror and aluminum. Use only a damp cloth to clean. Spray the cloth, not the mirror when cleaning. Mirrors are damaged by the use of ammonia or vinegar based cleaners. Rubbing alcohol can be used for stubborn stains.

B. Use no abrasive cleansers on any part of the cabinet. The gasket can be cleaned with a mild non abrasive cleaner such as Bon Ami or Soft Scrub.

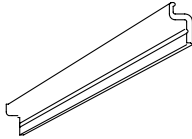
C. The wood frame should be cleaned with a damp cloth only.

Parts List for the PLW Cabinets


1. PLW Cabinet • See suffix codes below for model options
2. Glass Shelves
3 shelves are provided with each cabinet.



3. "Z" Mounting Bracket • This 30" long bracket is used for surface mounted cabinets.



4. Hardware Bag • Contains the Following:

- A. 5 Plastic Anchors 

- B. 36 Black or White Shelf Hole Plugs




- C. 5 SMS/Wood Screws #10 x 2"



- D. 10 Connector Block Screws #10 x 1/2"



- E. 10 Black or White Screw Head Caps 

- F. 2 Small Top Mount "Z" Clips

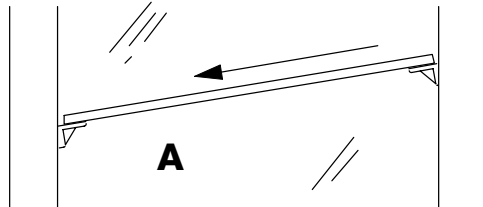


- G. 12 Clear Snap-In Shelf Clips

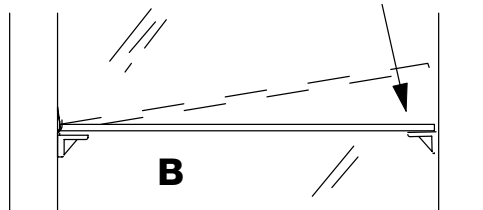


Snap-in Shelf Clips

- A. Push one side of the shelf into the left or right clips.



- B. Snap the shelf down into the opposite side. If the shelf is too tight, repeat the process from the other side.



Parts List for PLSK30 Side Kit

1. 2 Mirrors with Mounting Brackets



2. 2 3" x 3 3/4" Mirrors (not used)



3. 2 2" x 2" Adhesive Pads (not used)



PLSK30 Side Kit is available separately.

It is used only when cabinets are surface mounted.

Limited Warranty

One Year Term

ROBERN warrants to the original purchaser that, it will, at its election repair, replace, or make appropriate adjustment to products made by this company shown to have significant defects in material or workmanship which are reported to ROBERN in writing within one (1) year from the date of delivery. ROBERN is not responsible for installation costs.

The warranty time period for operating components including door hinges and opening devices to the original owner extends beyond the one year term.

The warranty is void in the event the product is damaged in transit, or if damage or failure is caused by abuse, misuse, abnormal usage, faulty installation, damage in an accident, improper maintenance, or any repairs other than those authorized by ROBERN. At the expiration of the one year warranty period, ROBERN shall be under no further obligation under any warranty, expressed or implied, including the implied warranty of merchantability.

ROBERN shall not be liable for any consequential damages arising out of or in connection with the use or performance of its products. Some states do not allow limitations on how long an implied warranty lasts or do not allow the exclusion or limitation of incidental or consequential damages, so the above limitation or exclusion may not apply to you.

Any liability against ROBERN under any implied warranty, including the warranty of merchantability, is expressly limited to the terms of this warranty.

Permission to return any merchandise under this warranty must be authorized by ROBERN and returned prepaid by the purchaser.

Claims under this warranty should be sent directly to your dealer.

PLEASE NOTE

1. A square and plumb installation insures proper door operation. A square and level are necessary for proper installation.
2. Improper installation voids the warranty. Installed cabinets cannot be returned.
3. If you experience any problems with your cabinet contact your dealer or Robern directly. Be sure to have serial number from inside the cabinet.

Robern • 701 N Wilson Ave • Bristol, PA 19007
800 488 2284 • FAX 215 826 9633

Fill in your serial numbers and model numbers here:

Model # _____
 Serial # _____

Model # _____
 Serial # _____

Model	Width	Suffix	Model	Width	Suffix			
PLW	1 Door Units 1630 - 15 1/4"	BHG	Heirloom Gold Frame/Black Cabinet	PLW	2430 - 23 1/4"	BCG	Classic Gold Frame/Black Cabinet	
		BHS	Heirloom Silver Frame/Black Cabinet		BCS	Classic Silver Frame/Black Cabinet		
		BLG	Laurel Gold Frame/Black Cabinet		BBM	Bead Mahogany Frame/Black Cabinet		
		BLS	Laurel Silver Frame/Black Cabinet		WBW	Bead White Frame/White Cabinet		
		BCG	Classic Gold Frame/Black Cabinet		PLLWS	10"	HFG	Heirloom Gold Frame
		BCS	Classic Silver Frame/Black Cabinet			9"	HFS	Heirloom Silver Frame
PLW	2430 - 23 1/4"	BBM	Bead Mahogany Frame/Black Cabinet	8 1/2"	BFM	Bead Mahogany Frame		
		WBW	Bead White Frame/White Cabinet		BFW	Bead White Frame		
		BHG	Heirloom Gold Frame/Black Cabinet		LFG	Laurel Gold Frame		
		BHS	Heirloom Silver Frame/Black Cabinet		LFS	Laurel Silver Frame		
		BLG	Laurel Gold Frame/Black Cabinet		7 1/2"	CFG	Classic Gold Frame	
		BLS	Laurel Silver Frame/Black Cabinet			CFS	Classic Silver Frame	

The following Patens apply to this product: U.S. PAT NO.. 5,355,627

©1996.1998 PL BATH
 ALL RIGHTS RESERVED

PLL Sconce Installation Instructions

General Notes

1. Unpack the light fixture. Be sure to remove hardware bag before discarding carton.
2. Rated for 100W bulb Type-A UL Listed for damp locations.
3. If you experience any problems with your light contact your dealer or Robern directly.

Robern • P.O. Box 2145 • Bristol, PA 19007
215.826.9800 • 800.877.2376 • Fax 215.826.9633

LIGHT TYPE	FINISHES	Sconce Frame (optional)
PLL Sconce	<ul style="list-style-type: none"> • PLLWS 	<ul style="list-style-type: none"> • CH • BN
	<ul style="list-style-type: none"> Chrome Brushed Nickel 	<ul style="list-style-type: none"> Heirloom Gold Heirloom Silver Laurel Gold Laurel Silver Classic Gold Classic Silver Bead Mahogany Bead White
		<ul style="list-style-type: none"> • PLLWSHFG • PLLWSHFS • PLLWSLFG • PLLWSLFS • PLLWSCFG • PLLWSCFS • PLLWSBFM • PLLWSBFW

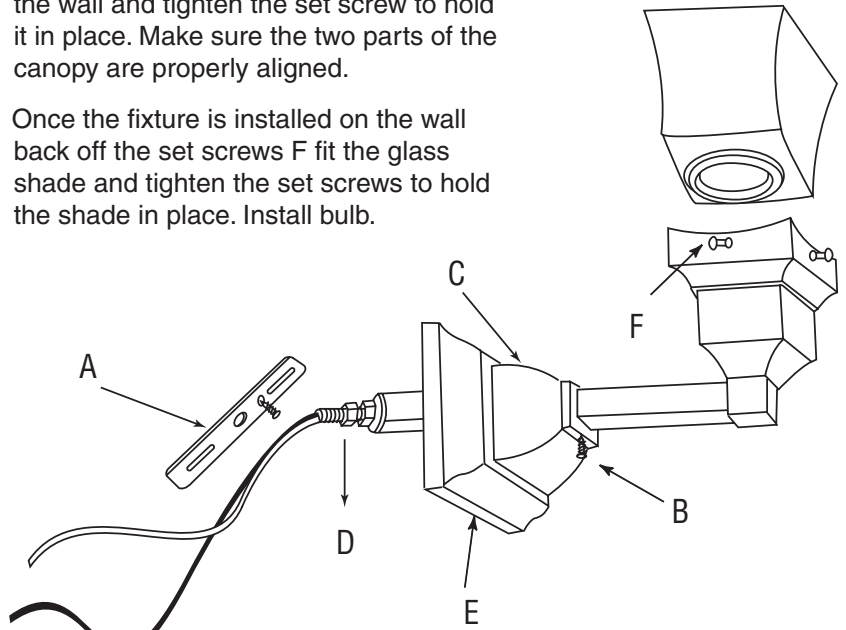
Note:
 If using the optional matching Sconce Frame, See page 2 for instructions.

Installation

1. Attach crossbar A to the electrical box using the screws supplied with the box. Sometimes it is necessary to mount the crossbar at a slight upward angle (use a washer or two under the lower screw) so that the weight of the fixture doesn't make it appear to "droop".
2. Loosen the set screw B on canopy C and carefully slip the canopy toward the elbow or body of the fixture so it is out of your way. Set the larger part of the two part canopy E between the smaller section C and the wall.
3. Screw locknut D about 1/2" down the threaded pipe.
4. Slip the wires through the crossbar and turn fixture clockwise, screwing it securely to the crossbar. Be careful not to twist the wires coming from the threaded pipe.
5. After squaring the fixture to the room, tighten the locknut securely against the cross bar. This prevents any movement when changing bulbs or if the fixture is bumped.
6. Connect the wires from the fixture to the house wiring. If your fixture has a bare ground wire, where you connect it depends on the wiring in your house.

Never connect it to a current-carrying wire. If your house has metal electrical boxes, connect the fixture ground wire to the green ground screw on the crossbar. If you house is new or has been rewired and has plastic boxes, connect the fixture ground wire to the house ground wire.

7. Carefully slide the canopy up against the wall and tighten the set screw to hold it in place. Make sure the two parts of the canopy are properly aligned.
8. Once the fixture is installed on the wall back off the set screws F fit the glass shade and tighten the set screws to hold the shade in place. Install bulb.



• Light can be hung with glass shade facing up or down •

Installing the optional Sconce Frame.

1. Assemble light as shown on page one.
2. Before attaching the light to the metal cross bar (A) slide the sconce frame over the column so it sits as shown in Fig. 2
3. Follow fixture mounting instructions on page one.

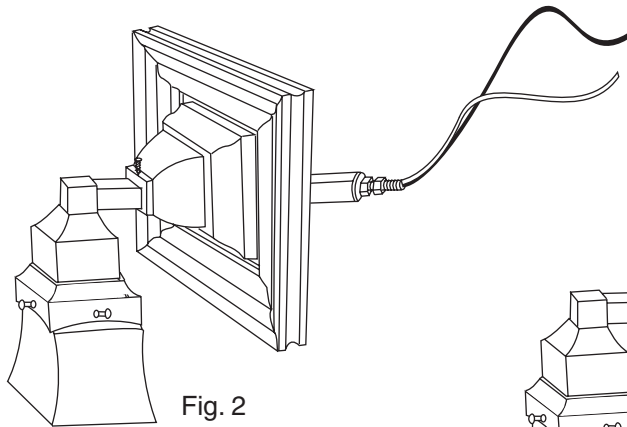


Fig. 2

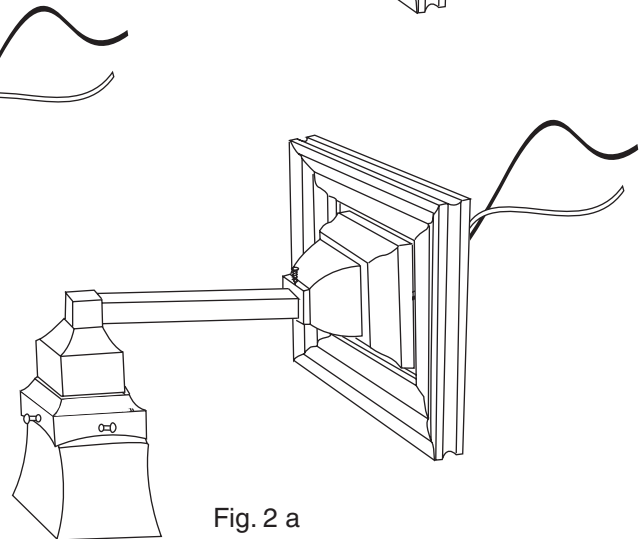


Fig. 2 a

Placement of Sconce

1. For positioning above the cabinet, there must be a minimum of 1" between the light shade and the path of the door swing. To ensure this correct placement install the sconce 8" min above the top of the cabinet door. See Fig. 3
2. To install sconce next to your cabinet use a minimum of 5 1/2" from the side of your cabinet to the center of the sconce, for Heirloom, or Bead style frames. Use 4 1/4" for no-frame or Classic and Laurel style frames. See Fig. 4

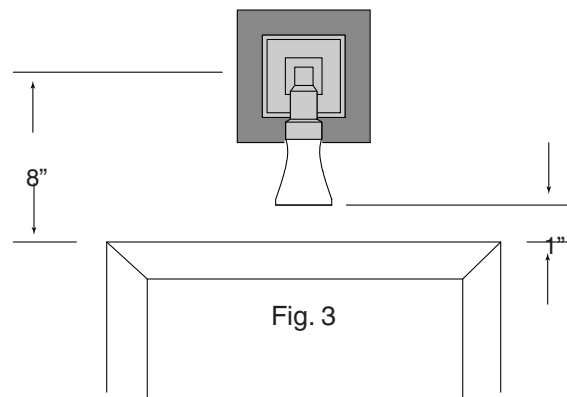


Fig. 3

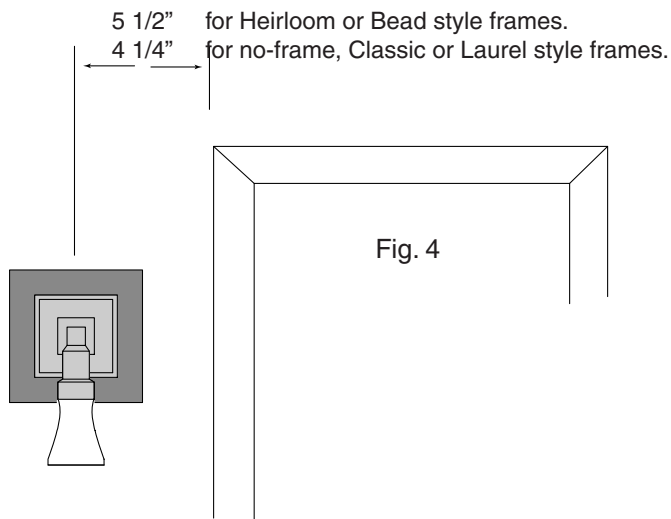


Fig. 4