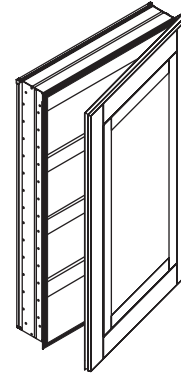


Features

- Recess or surface mount
- Mirrored doors and interior, matte silver interior
- 3-way adjustable concealed hinge system
- SAFESEAL™ gasket frame
- Patented swing-out magnifying mirror
- Rust-free aluminum construction
- Can be installed as a left- or right-hand door swing
- Three adjustable glass shelves
- Layered glass creates a sophisticated showpiece
- Available in tinted gray mirror or tinted white glass
- 19-1/4" (48.9 cm) x 30" (76.2 cm) x 5" (12.7 cm)

MT20D4CDGN ALSO MT20D4CDWN



Codes/Standards Applicable

Specified model meets or exceeds the following:

- None applicable

Specified Model

Model	Description	
MT20D4CDGN	Tinted gray mirror	<input type="checkbox"/>
MT20D4CDWN	White glass	<input type="checkbox"/>
NOTE: Hardware required for installing cabinets side-by-side is included.		
Required Accessories - For Surface-Mount Installations Only		
MTSK30D4G	Tinted gray mirror side kit	<input type="checkbox"/>
MTSK30D4W	White glass side kit	<input type="checkbox"/>
Refer to the Price Guide for additional side kit colors and finishes		
Optional Accessories		
SLB20D4	Safety-lock box	<input type="checkbox"/>
MLLWCDG	Candre™ single wall sconce with tinted gray mirror backplate	<input type="checkbox"/>
MLLWCDW	Candre™ single wall sconce with white glass backplate	<input type="checkbox"/>
Frames, light options, and additional accessories are also available. Refer to the Price Guide for more information.		

CANDRE™ CABINET

Technical Information

Roughing-in opening	18-1/2" (47 cm) x 29-1/4" (74.3 cm) x 4" (10.2 cm)
Door opening angle	170°

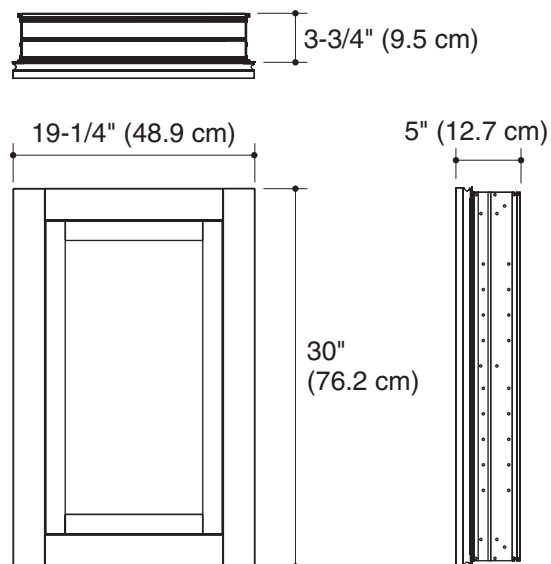
Installation Notes

Install this product according to the installation guide.

When determining the height of the mirrored cabinet, ensure the mirrored door will clear all obstacles, such as a faucet. A minimum distance of 1" (2.5 cm) is required.

Secure the screws (provided) to a stud to avoid possible property and product damage. If this is not possible, anchors (provided) must be inserted before installing the screws.

Recessed cabinets project 1-1/4" (3.2 cm) from wall.



Product Diagram