

**Craft Series Stone Top  
TA56UCOXXX-8CR1 Engineered Stone Top Specification Sheet**

**FEATURES**

- Silestone Quartz surface
- Includes Robern ceramic oval lavatory
- Includes installation hardware

**CODES & STANDARDS**

- IAPMO Certified
- ASME A112.19.2/CSA B45.1

**OPTIONS**

Finish colors available:

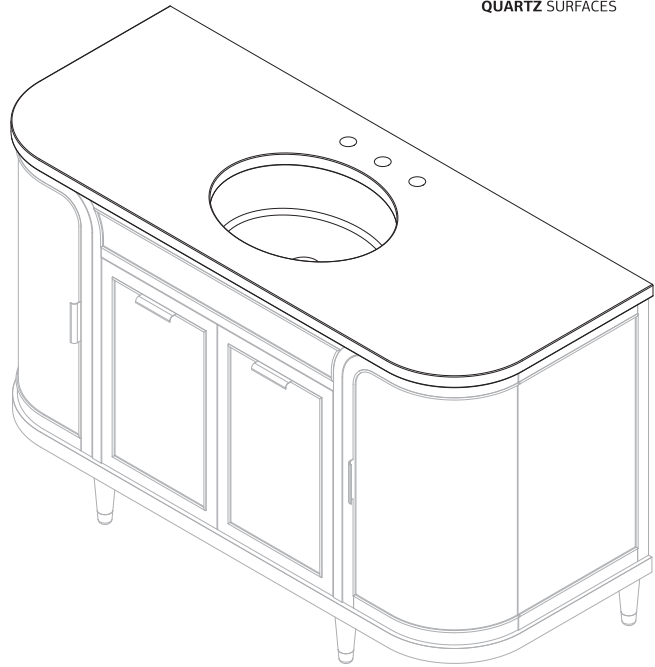
- TA56UCO93-8CR1 - White Zeus Extreme
- TA56UCO95-8CR1 - Eternal Marquina
- TA56UCO96-8CR1 - Pietra
- TA56UCO97-8CR1 - Calypso
- TA56UCO98-8CR1 - Eternal Serena
- TA56UCO100-8CR1 - Eternal Calacatta Gold

Compatible Craft Series Vanities:

- CVRO5620569 - Rosebrook, Gray Oak with Brushed Pewter
- CVRO5620887 - Rosebrook, Light Oak with Aged Brass

**DIMENSIONS**

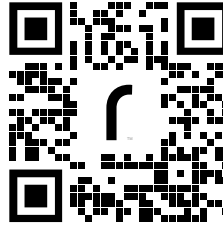
- Width: 56" (1422 mm)
- Depth: 23" (584 mm)
- Thickness: 1-3/16" (30 mm)
- Weight: 125 lbs (57 kg)



**MODEL NUMBER KEY**

CATEGORY	DEPTH	WIDTH	SINK TYPE	SINK LOCATION	OVERFLOW	FINISH COLOR	FAUCET PATTERN
T = Top	A = 23" (559 mm)	56	U = Undermount	C = Center	O = Overflow	(See above)	8CR1 = 8" (203 mm) Three Hole Spread

**MORE INFORMATION**



Scan the QR code to see the details found in the Craft Top installation instructions.

Use the camera app on your mobile device to look at this QR code. This will allow you to quickly access web pages and other relevant documents.

