

**Craft Series Stone Top
TA36UCOXXX-8CR1 Engineered Stone Top Specification Sheet**

FEATURES

- Silestone Quartz surface
- Includes Robern ceramic oval lavatory
- Includes installation hardware



CODES & STANDARDS

- IAPMO Certified
- ASME A112.19.2/CSA B45.1

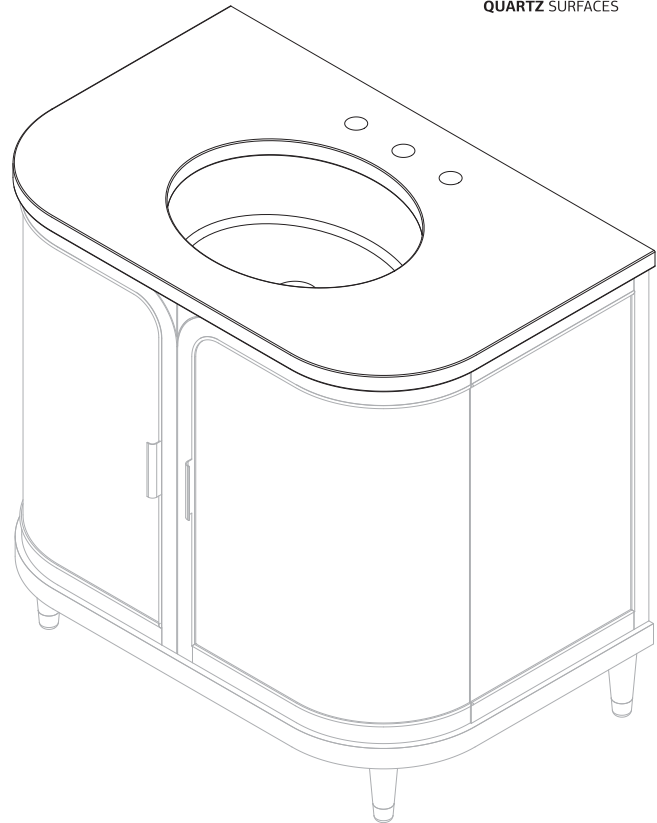
OPTIONS

Finish colors available:

- TA36UCO93-8CR1 - White Zeus Extreme
- TA36UCO95-8CR1 - Eternal Marquina
- TA36UCO96-8CR1 - Pietra
- TA36UCO97-8CR1 - Calypso
- TA36UCO98-8CR1 - Eternal Serena
- TA36UCO100-8CR1 - Eternal Calacatta Gold

Compatible Craft Series Vanities:

- CVRO3620569 - Rosebrook, Gray Oak with Brushed Pewter
- CVRO3620887 - Rosebrook, Light Oak with Aged Brass



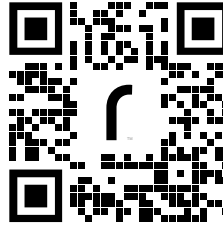
DIMENSIONS

- Width: 36" (914 mm)
- Depth: 23" (584 mm)
- Thickness: 1-3/16" (30 mm)
- Weight: 79 lbs (36 kg)

MODEL NUMBER KEY

CATEGORY	DEPTH	WIDTH	SINK TYPE	SINK LOCATION	OVERFLOW	FINISH COLOR	FAUCET PATTERN
T = Top	A = 23" (559 mm)	36	U = Undermount	C = Center	O = Overflow	(See above)	8CR1 = 8" (203 mm) Three Hole Spread

MORE INFORMATION



Scan the QR code to see the details found in the Craft Top installation instructions.

Use the camera app on your mobile device to look at this QR code. This will allow you to quickly access web pages and other relevant documents.

