

Craft Series Vanity
CVAL56 Alisal Vanity Specification Sheet

FEATURES

- Drawer fronts with integrated metal and wood handle
- Three-way mitered joinery
- Fully welded and polished stainless steel legs
- Top drawer is a false front
- Middle and bottom drawers are plumbing drawers
- Side drawers are full drawers
- Removable glass drawer dividers included

MATERIALS & CONSTRUCTION

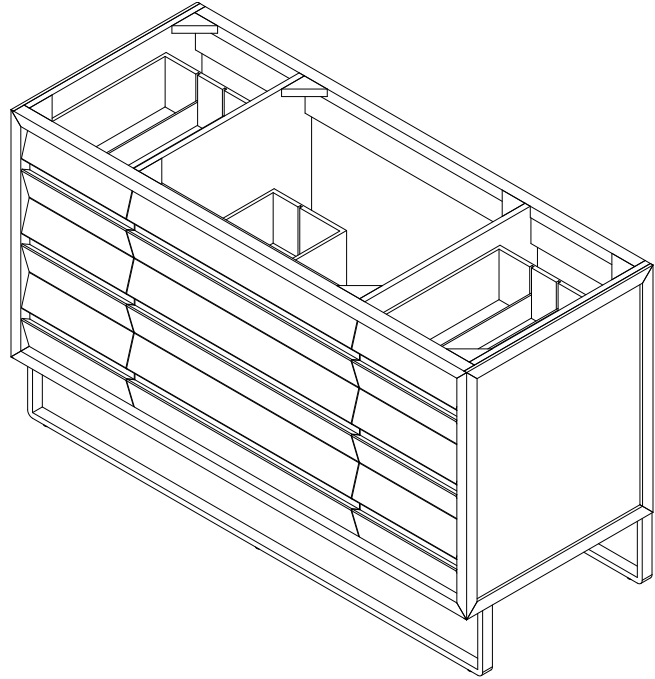
- Solid wood and veneer construction
- Full plywood back panel, no cutout
- Dovetailed drawers
- Blum full extension slow close drawer slides
- Durable, moisture resistant polyurethane finish
- Adjustable leveling feet

OPTIONS

- Available in:
 - CVAL5620269 - Greige Oak with Brushed Pewter
 - CVAL5620988 - Weathered Oak with Antique Bronze
- Coordinating Ann Sacks Stone Tops and Kallista Sink:
 - AS18967, Carrara Marble
 - AS18968, Calacatta Marble
 - P74235-WO-0, Perfect Centric Rectangle

DIMENSIONS

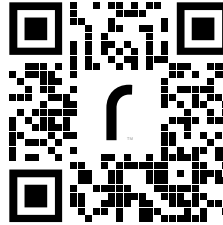
- Width: 55" (1396mm)
- Height: 33-1/4" (844mm)
- Depth: 22-1/2" (571mm)



MODEL NUMBER KEY

PRODUCT LINE	CATEGORY	COLLECTION	WIDTH	FINISH OPTIONS
C = Craft Series	V = Vanity	AL = Alisal	56	(See above)

MORE INFORMATION



Scan the QR code to see the details found in the Craft Vanity installation instructions.

Use the camera app on your mobile device to look at this QR code. This will allow you to quickly access web pages and other relevant documents.

