

CONTENTS

DIMMER RECOMMENDATIONS / MODEL NUMBERS - **2**

TOOLS NEEDED / PARTS - **3**

NOTES - **4**

REPLACING ENDCAPS - **5**

ASSEMBLING THE BRACKETS - **5**

MOUNTING THE BRACKETS TO THE CABINET - **6**

MOUNTING THE BRACKETS BETWEEN CABINETS FOR GANGING- **7**

WIRING THE ELECTRICAL ENCLOSURE - **9**

RECESSED INSTALLATION AND ELECTRICAL WIRING - **9**

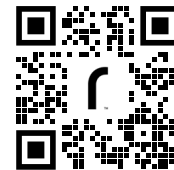
SURFACE INSTALLATION AND ELECTRICAL WIRING - **10/12**

FINAL ASSEMBLY - **12**

PRODUCT ALIGNMENT - **14/15**

USE & MAINTENANCE / WARRANTY - **16**

Scan the QR code to see the entire Inline Series of lights.



Use the camera app on your mobile device to look at this and other QR codes. This will allow you to quickly access web pages and other relevant documents.

GENERAL INFORMATION

This instruction sheet contains information on how to install the Inline Light(s). This series comes in many variations. Please refer to the box or product label for the specific model number. A key is provided on page 2.

Save these instructions for future use and reference. An improper installation voids the warranty. Carefully inspect the light(s) for damage. Installed products cannot be returned.

If you experience any problems with your light(s), contact your dealer or Robern directly.

Limited Warranty — One Year Term

DIMMER RECOMMENDATIONS

For dimmable models Robern recommends the following Dimmer:

Lutron® Model # MACL-153M

Lutron® Model # DVCL-153P

Lutron® Model # MRF2-6CL

Lutron® Model # PD-5NE

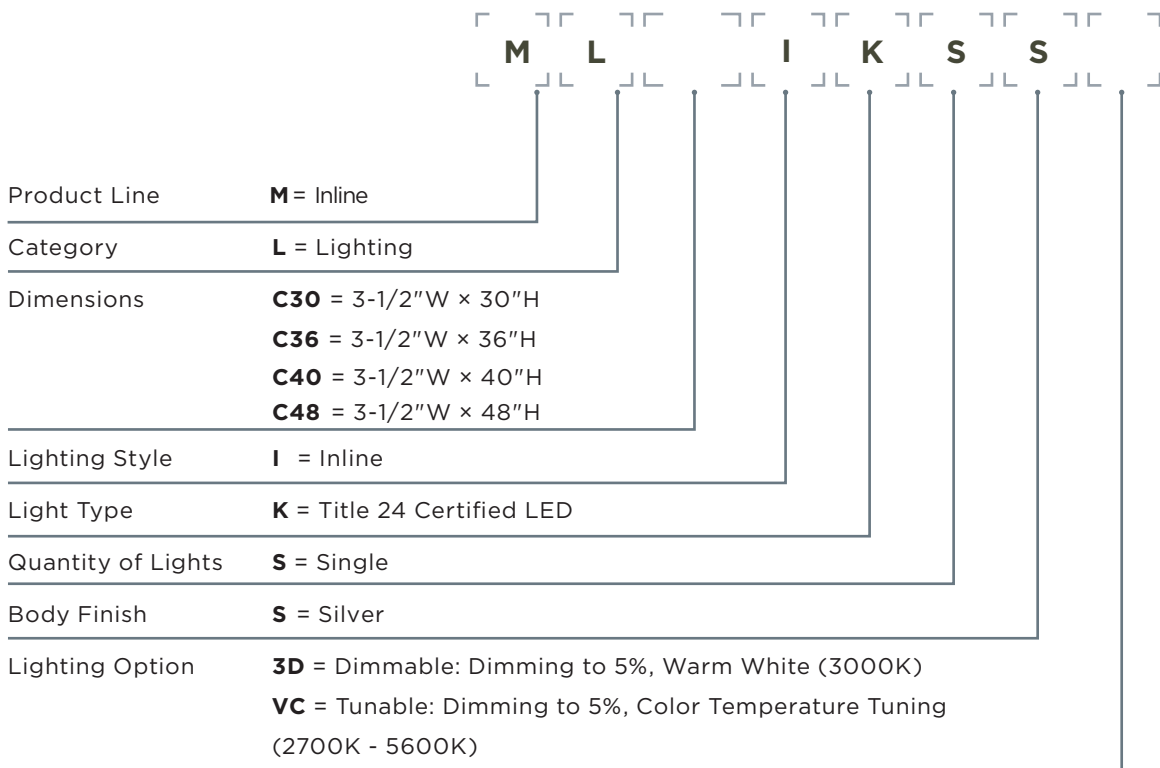
Leviton® Model # DSL-06

Other LED control dimmers may operate with this product but have not been tested or verified. It's recommended that the dimmer be within reach of your mirror so you can adjust the brightness.

For on/off (non-dimming) operation a standard wall switch may be substituted in place of the dimmer.

MODEL NUMBERS

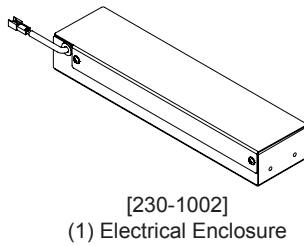
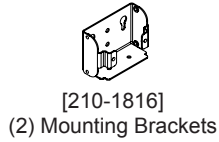
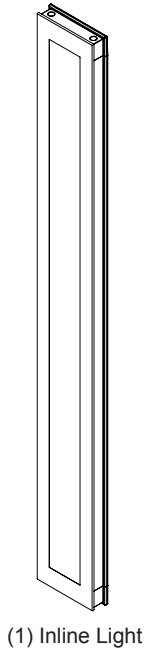
Use the chart below to learn how to read your light model number. Consult the Robern Price Book for a complete list of model numbers.



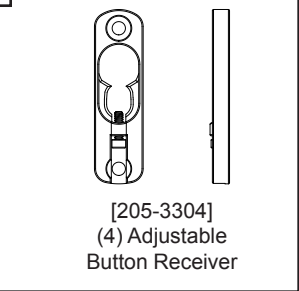
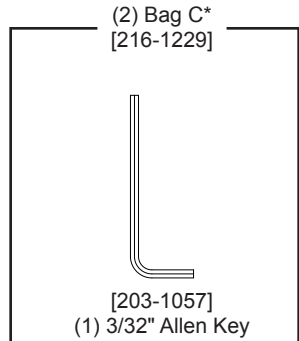
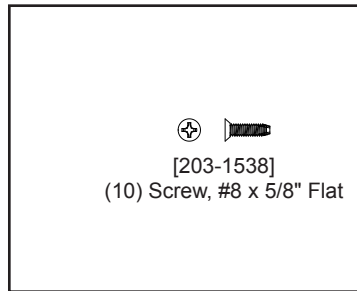
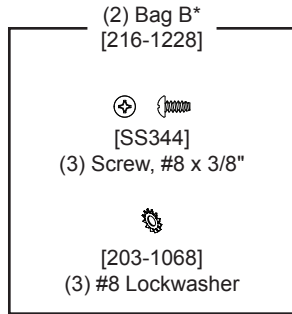
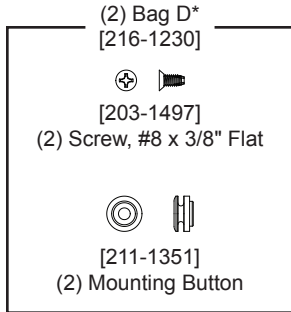
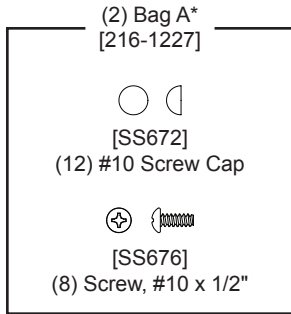
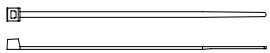
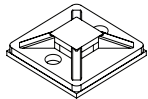
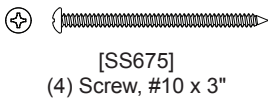
TOOLS NEEDED



PARTS




Hardware Bag* [216-1232]





* Depending on installation, not all parts will be used

NOTES

Unpack the Lights. Check the box thoroughly for all hardware and loose parts. Carefully inspect the fixture for damage.

 **DANGER:** Risk of personal injury. To avoid possible electrical shock, the electricity must be turned off at the circuit breaker or fuse box before attempting any installation procedure.

 **DANGER:** Risk of personal injury. To avoid possible electrical shock, the light fixture must be properly grounded.

 **CAUTION:** Grounding instructions for permanently connected products: This product must be connected to a grounded, metal permanent wiring system or an equipment-grounding conductor must be run with the circuit conductors and connected to the equipment-grounding terminal or lead on the product. All wiring should be done by a qualified licensed electrician.

IMPORTANT: Power for the lights should be provided separately from the electricity to the cabinet so that when lights are turned off, cabinet electricity remains on.

NOTE: Requires minimum 120 VAC 15 amp circuit.

NOTE: Requires an approved compatible dimmer for installation (not included). Refer to the dimmer recommendation on page 2.

Observe all applicable electrical codes and building codes. Wire the light fixtures in accordance with the electrical codes.

This fixture is for indoor use only.

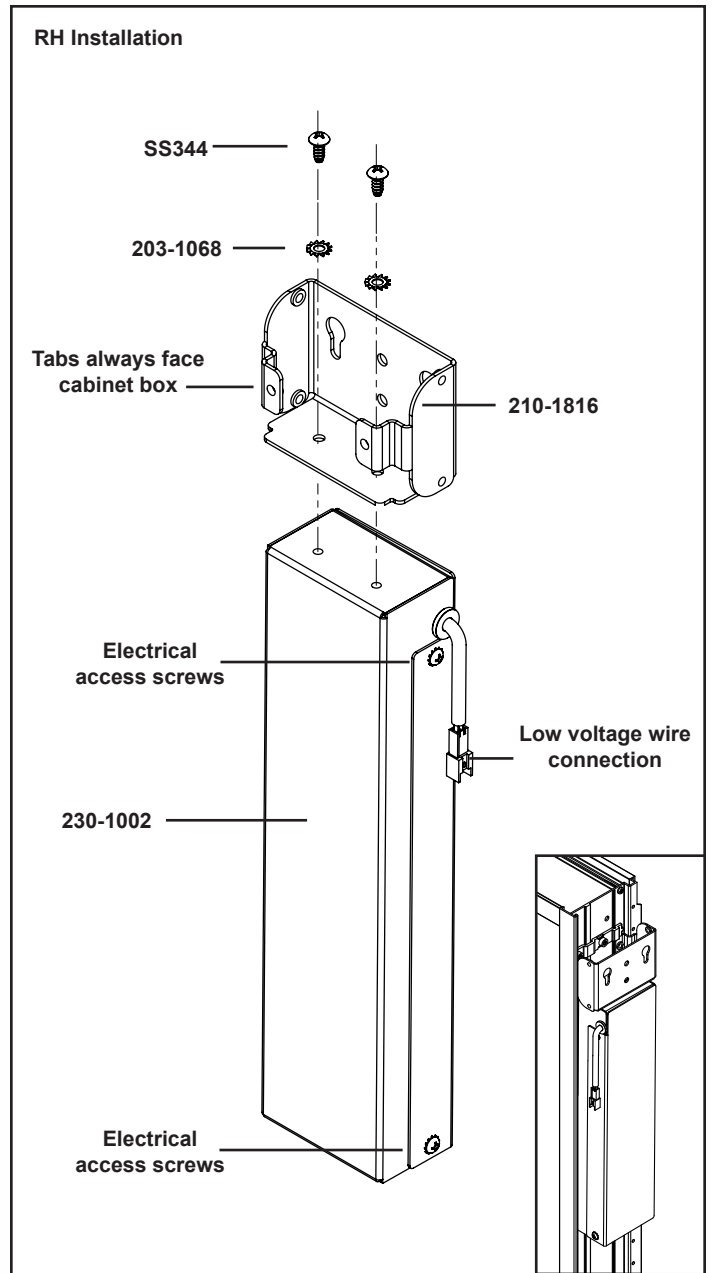
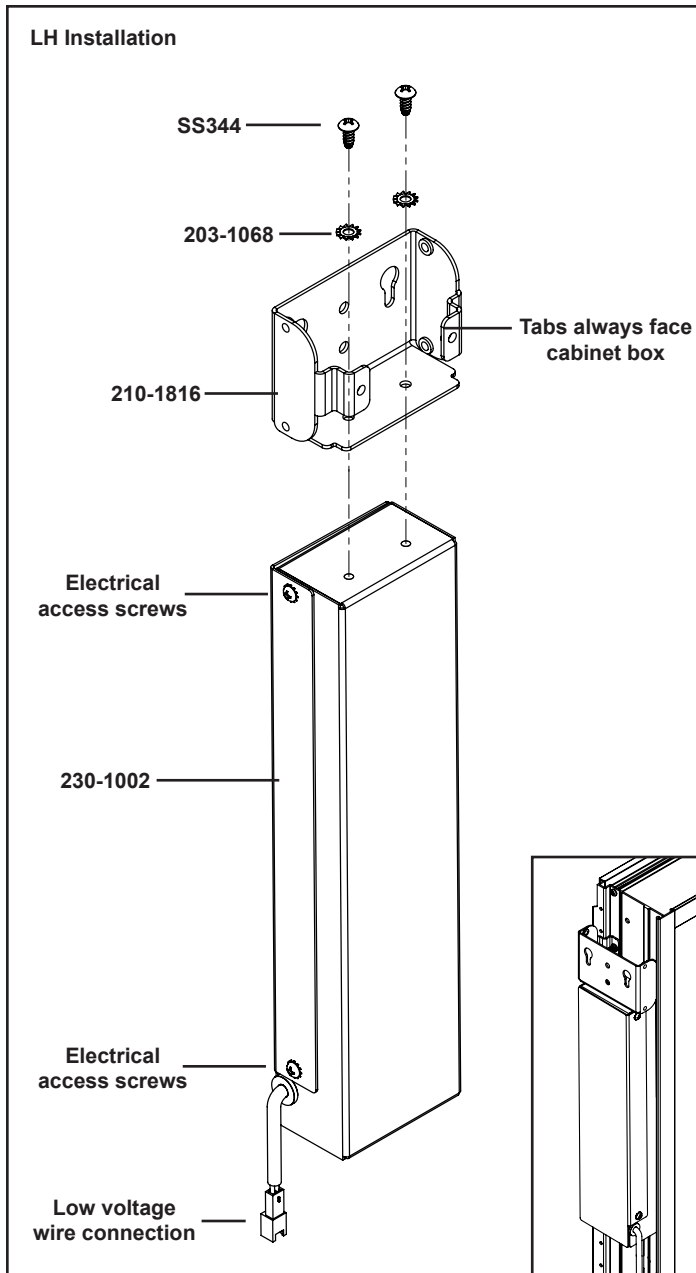
This installation may require the assistance of more than one person depending on your Light/Cabinet configuration.

**DANGER - RISK OF SHOCK -
DISCONNECT POWER BEFORE INSTALLATION**

ASSEMBLING THE BRACKETS

Note: If the light is to be installed on the LH (Left Hand) of a cabinet a LH installation is required. If the light is to be installed on the RH (Right Hand) of a cabinet, a RH installation is required.

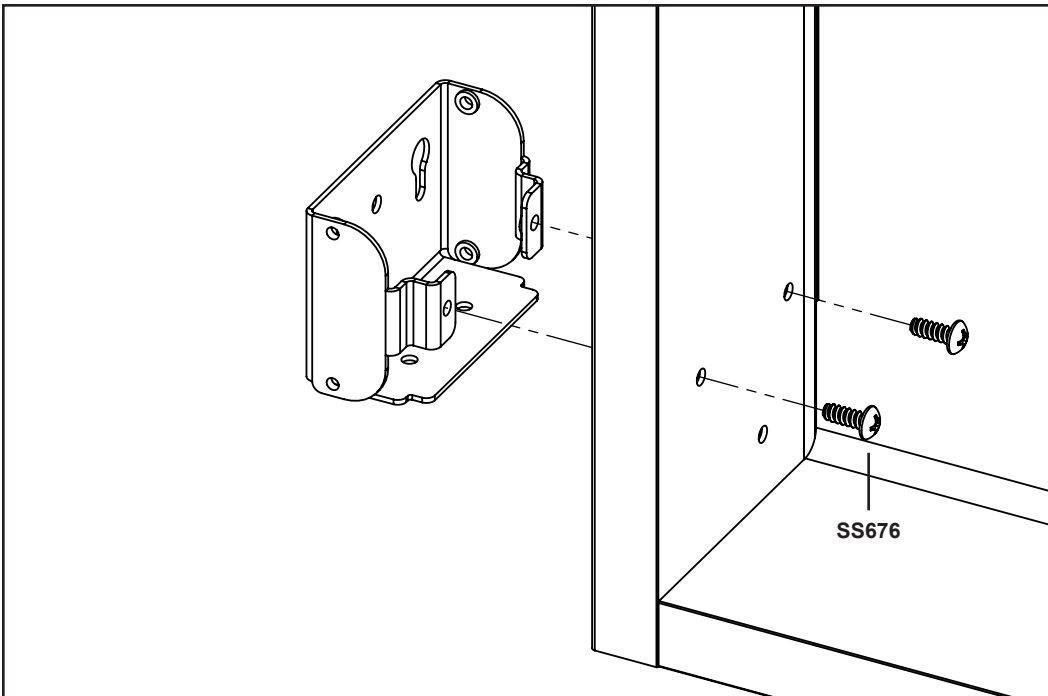
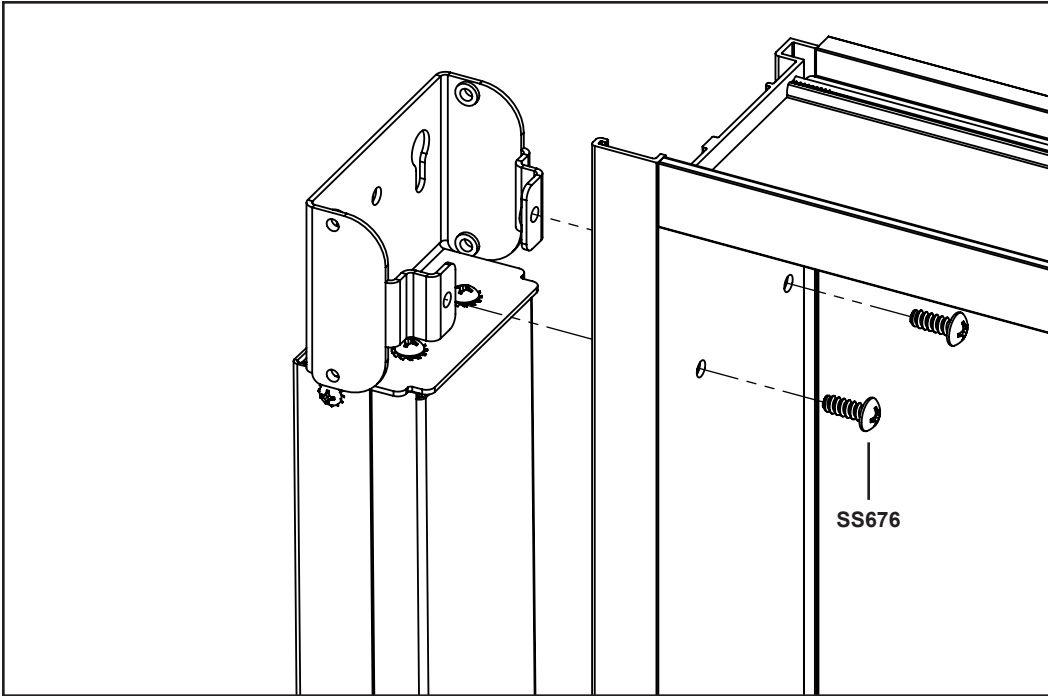
1. Orient one of the mounting brackets [210-1816] (as shown) ensuring that the electrical access screws on the electrical enclosure [205-3563] are pointed toward the front of the cabinet.
2. Attach the included electrical enclosure [205-3563] to the bracket using the supplied #8 screws [SS344] and lockwashers [203-1068].



MOUNTING THE BRACKETS TO THE CABINET

Note: When mounting the lights between cabinets, see the following page.

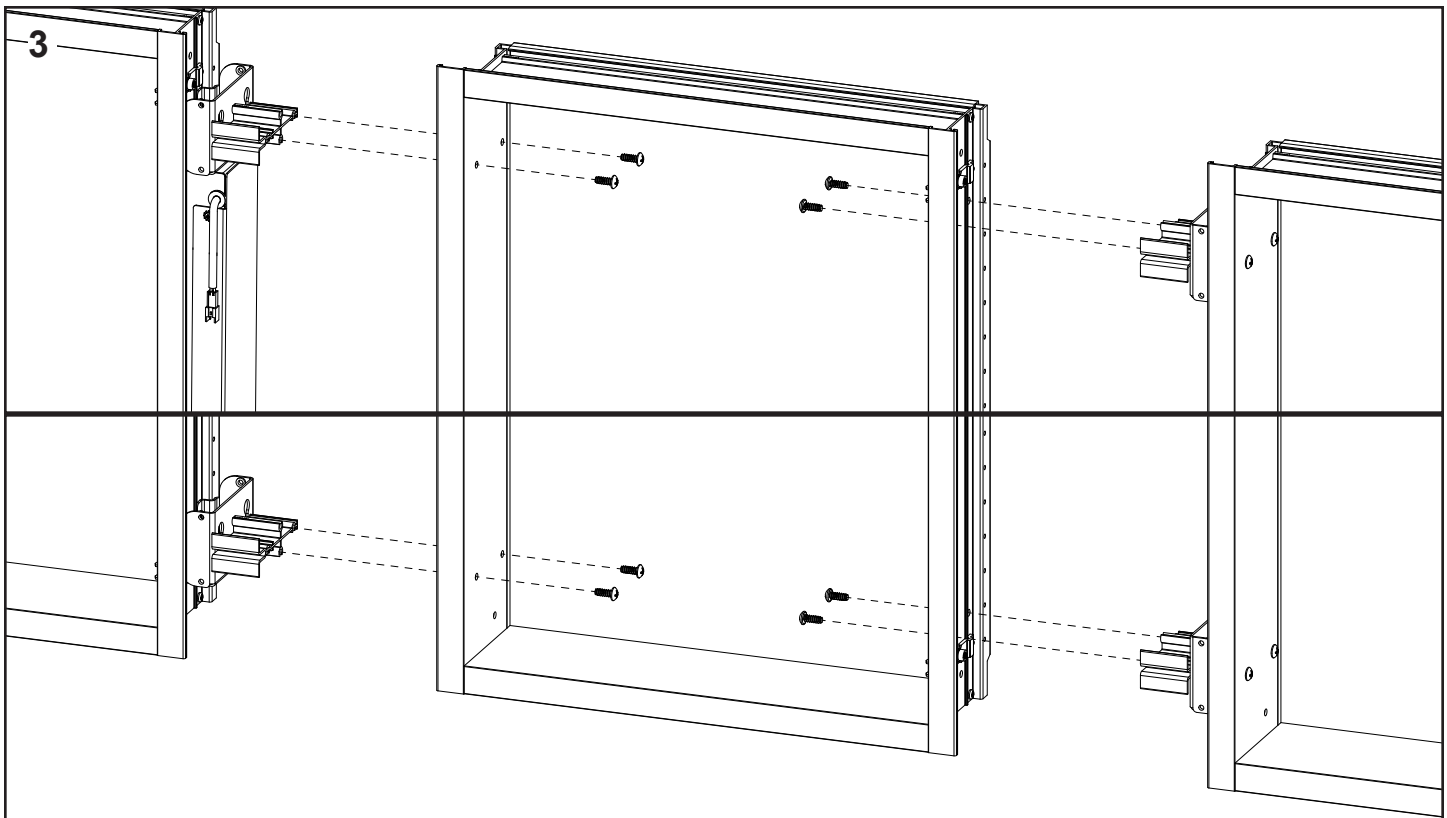
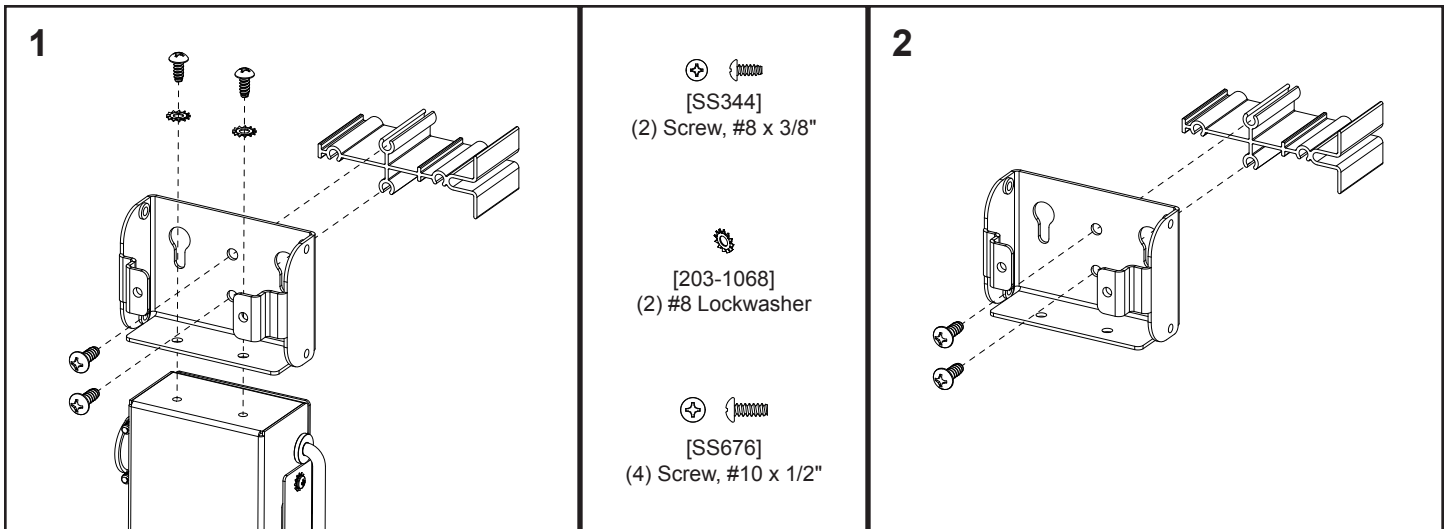
1. Mount the brackets to the cabinet through the ganging locations, as shown, using the supplied #10 screws [SS676].



MOUNTING THE BRACKETS BETWEEN CABINETS FOR GANGING

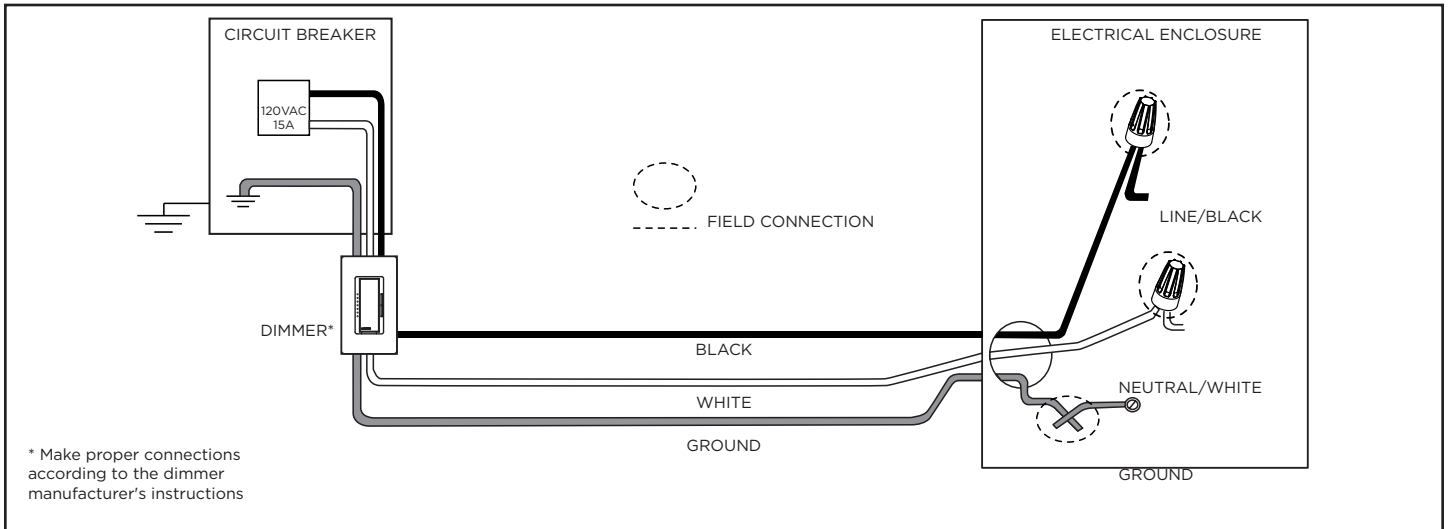
Note: A Ganging Kit (refer to the cabinet's instructions, sold separately) is required for the following instructions. All additional components shown in the following steps will be included with the Ganging Kit. One kit includes enough components to gang two lights between cabinets.

1. Using two #8 x 3/8" screws [SS344] and two lockwashers [203-1068], attach the mounting brackets to the Electrical Enclosure.
2. Using two #10 x 1/2" screws [SS676], attach each mounting bracket to a ganging block, included in the Ganging Kit.
3. Attach the mounting bracket assemblies to each cabinet with four #10 x 1/2" screws [SS676].



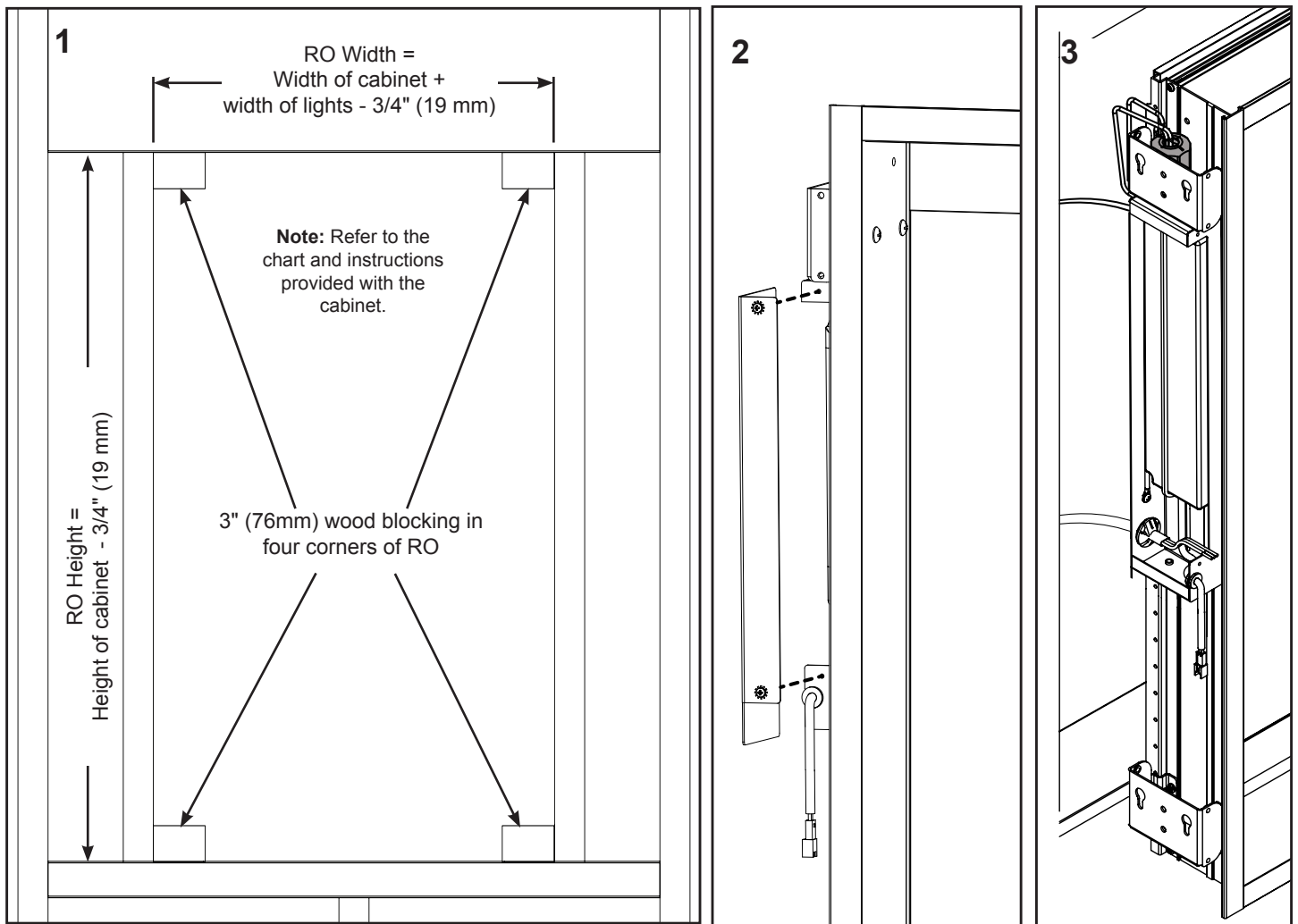
WIRING THE ELECTRICAL ENCLOSURE

1. Follow the Electrical Diagram below during the installation of your light.



RECESSED INSTALLATION AND ELECTRICAL WIRING

1. Prepare your rough opening as shown below. Add blocking to all four corners of the rough opening. Also refer to the chart and instructions provided with the cabinet.
 2. Remove the two #6-32 screws holding the electrical enclosure cover in place. Set the cover and screws aside in a safe place.
 3. With the electrical cover removed, support the cabinet on the edge of the recessed opening and feed the field wire through the field wire strain relief at the back of each enclosure and secure.
 4. Push the cabinet assembly into the recessed opening until the back of the cabinet flange is tight to the finished wall surface.
 5. Using a level, level and plumb the products in the opening. Shim as necessary. Using a square, make sure the cabinet is square in all axis.
 6. Mount the cabinet in place using the #10 Screws [SS675] provided with the lights.
 7. Make the electrical connection according to the electrical diagram on page 9.
- Note:** Leaving too much field wire in the enclosure could prevent it from closing properly and may cause damage to the internal components.
8. Replace the electrical cover utilizing the two #6-32 screws removed in Step 2.



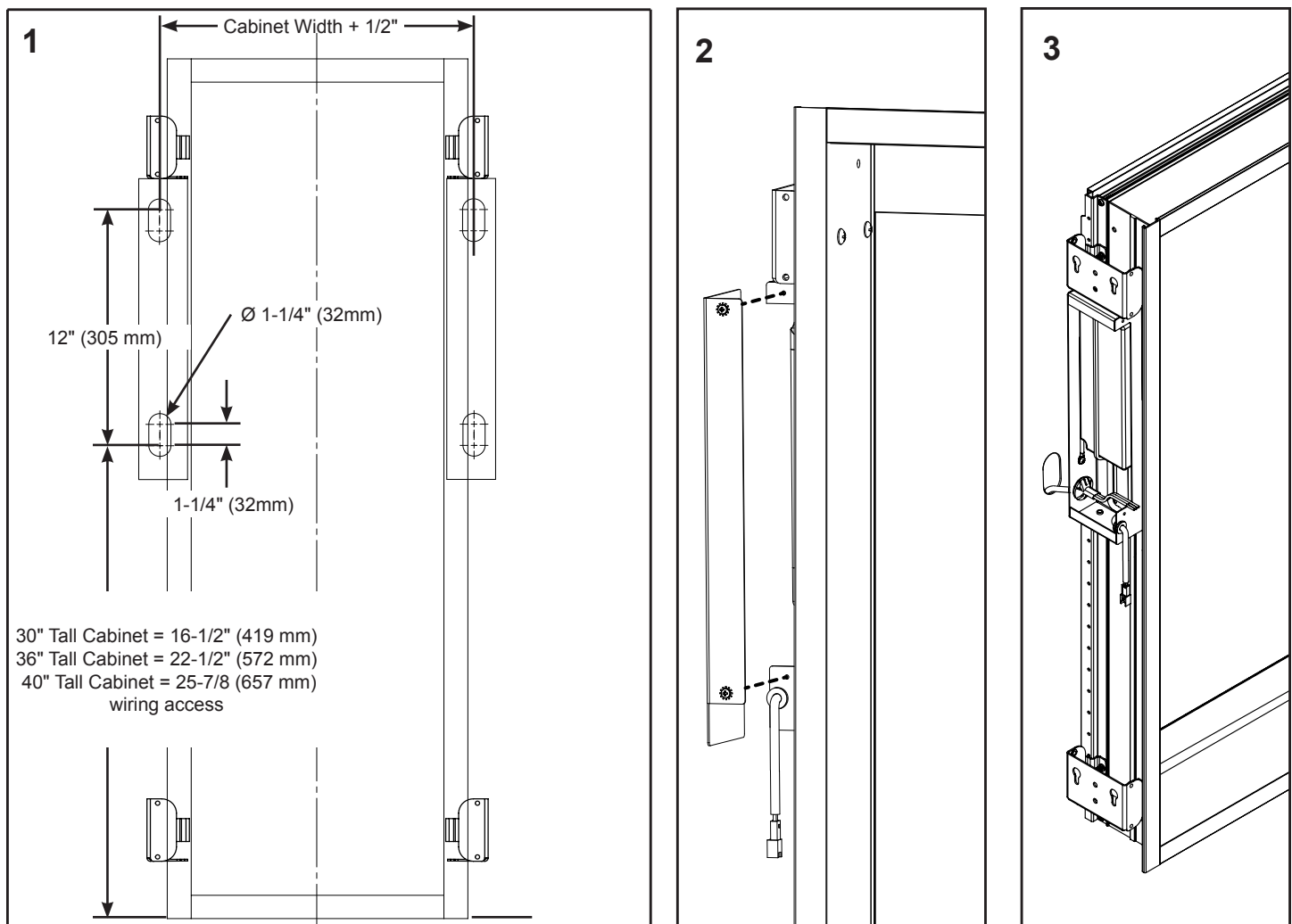
SURFACE INSTALLATION AND ELECTRICAL WIRING

Note: A Surface Mount Kit (refer to the cabinet's instructions, sold separately) is required for the following instructions.

1. Prepare the electrical rough-in as shown below.
2. Remove the two #6-32 screws holding the electrical enclosure cover in place. Set the cover and screws aside in a safe place.
3. With the electrical cover removed, feed the field wire through the field wire strain relief at the back of the electrical enclosure and secure.
4. Mount the cabinet in place following the steps provided in the cabinet's or Surface Mount Kits instructions.
5. Make the electrical connection according to the electrical diagram on page 9.

Note: Leaving too much field wire in the enclosure could prevent it from closing properly and may cause damage to the internal components.

6. Replace the electrical cover utilizing the two #6-32 screws removed in Step 2.



SURFACE INSTALLATION AND ELECTRICAL WIRING

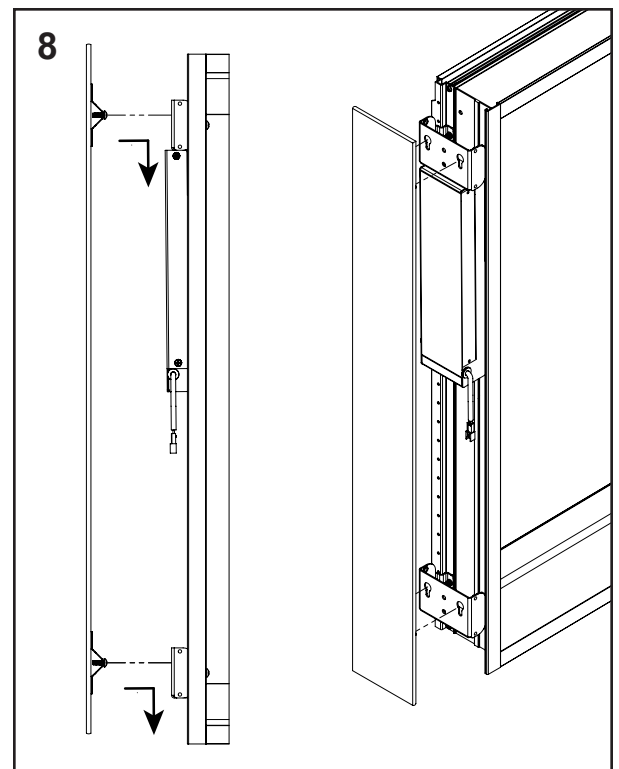
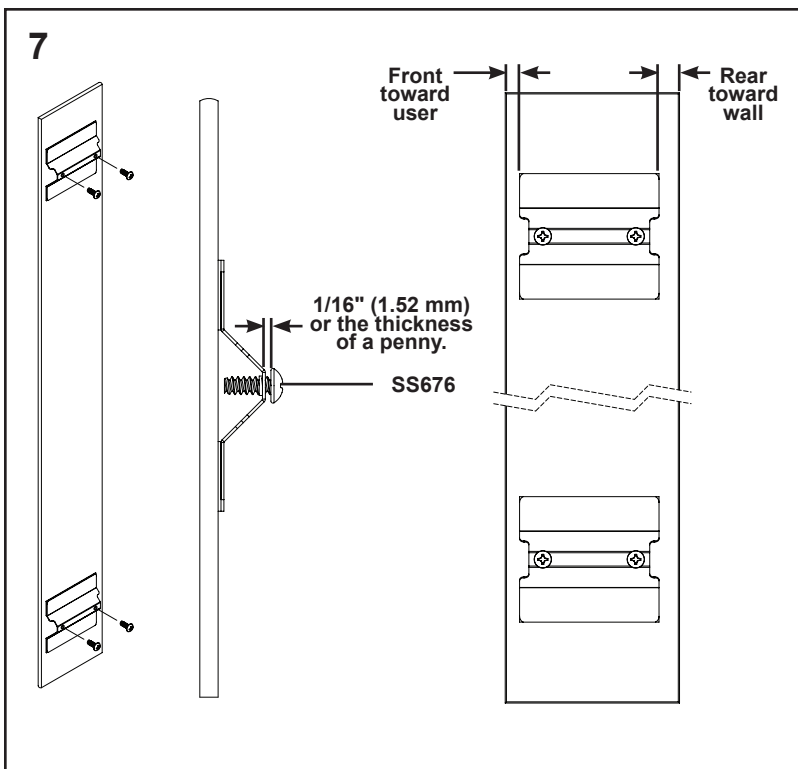
7. Drive the #10 Screws [SS676] provided with the Surface Mount Kit (sold separately) into the holes in the side kit brackets. Use a penny (as detailed in figure 4 below) to set the depth distance.

8. Orienting the sidekit as shown below, insert the Screw Heads into the keyholes on the side of the upper and lower Light Brackets, then slide the sidekit down into place.

Note: If the bracket is not oriented correctly, the side kit cannot be lowered into place and may fall, resulting in damage.

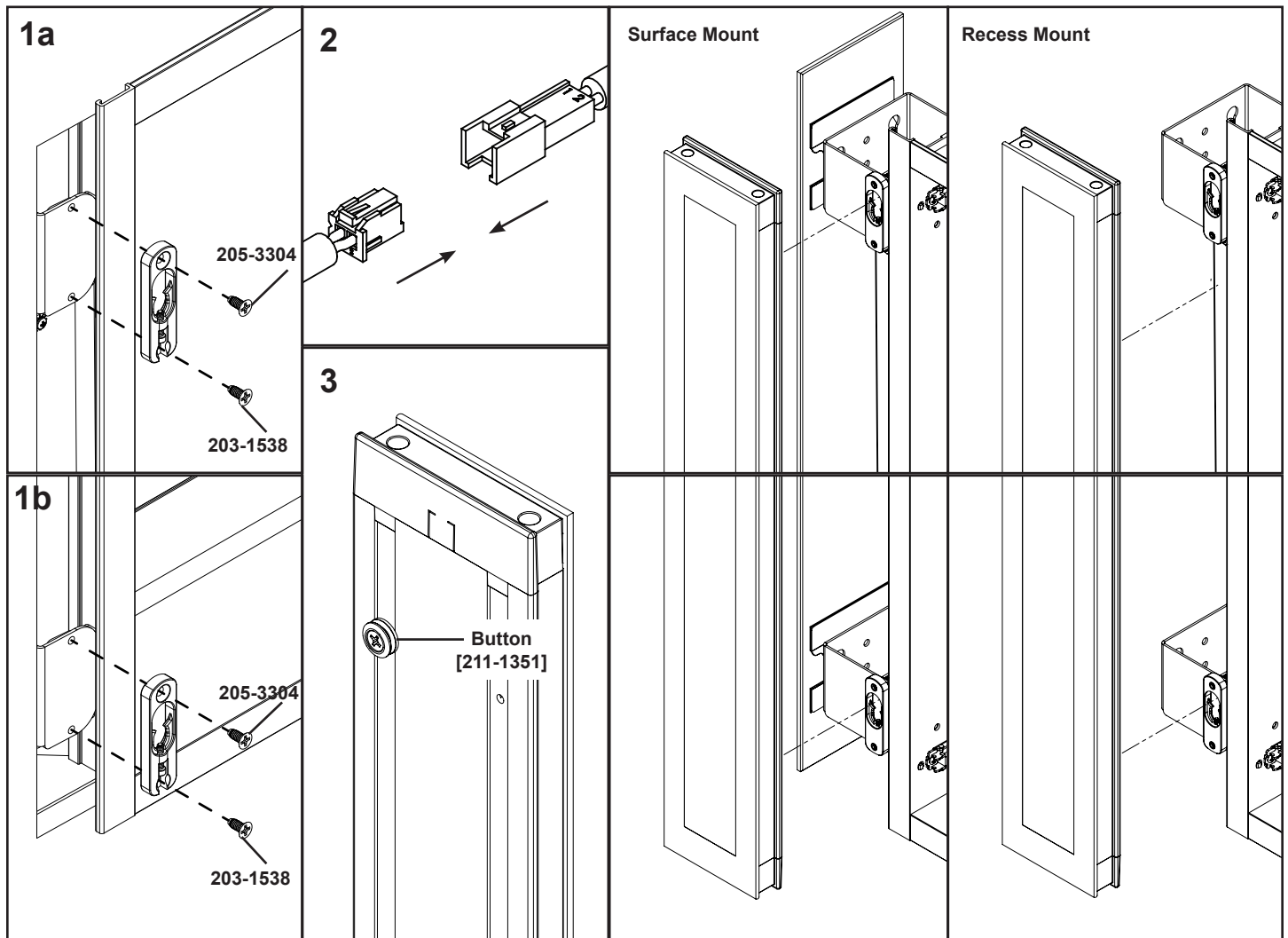
Note: If the Sidekit feels loose, move the sidekit back and forth to determine which screw feels loose. Lift and remove the sidekit from the brackets and rotate the loose screw a 1/4 turn clockwise, repeating as necessary.

Note: If the Sidekit does not lower into place, remove the sidekit from the keyholes and rotate the screws a 1/4 turn counterclockwise.



FINAL ASSEMBLY

1. Using the provided #8 screws [203-1538] attach an adjustable button receiver [211-1362] to each bracket. The screw head on the button receiver must be facing down.
2. Connect the electrical connector from the light to the electrical low voltage wire connector coming out of the electrical enclosure.
3. Align and insert the buttons on the back of the light into the upper and lower adjustable button receivers [205-3304].
4. Slide the light down until it's completely engaged.



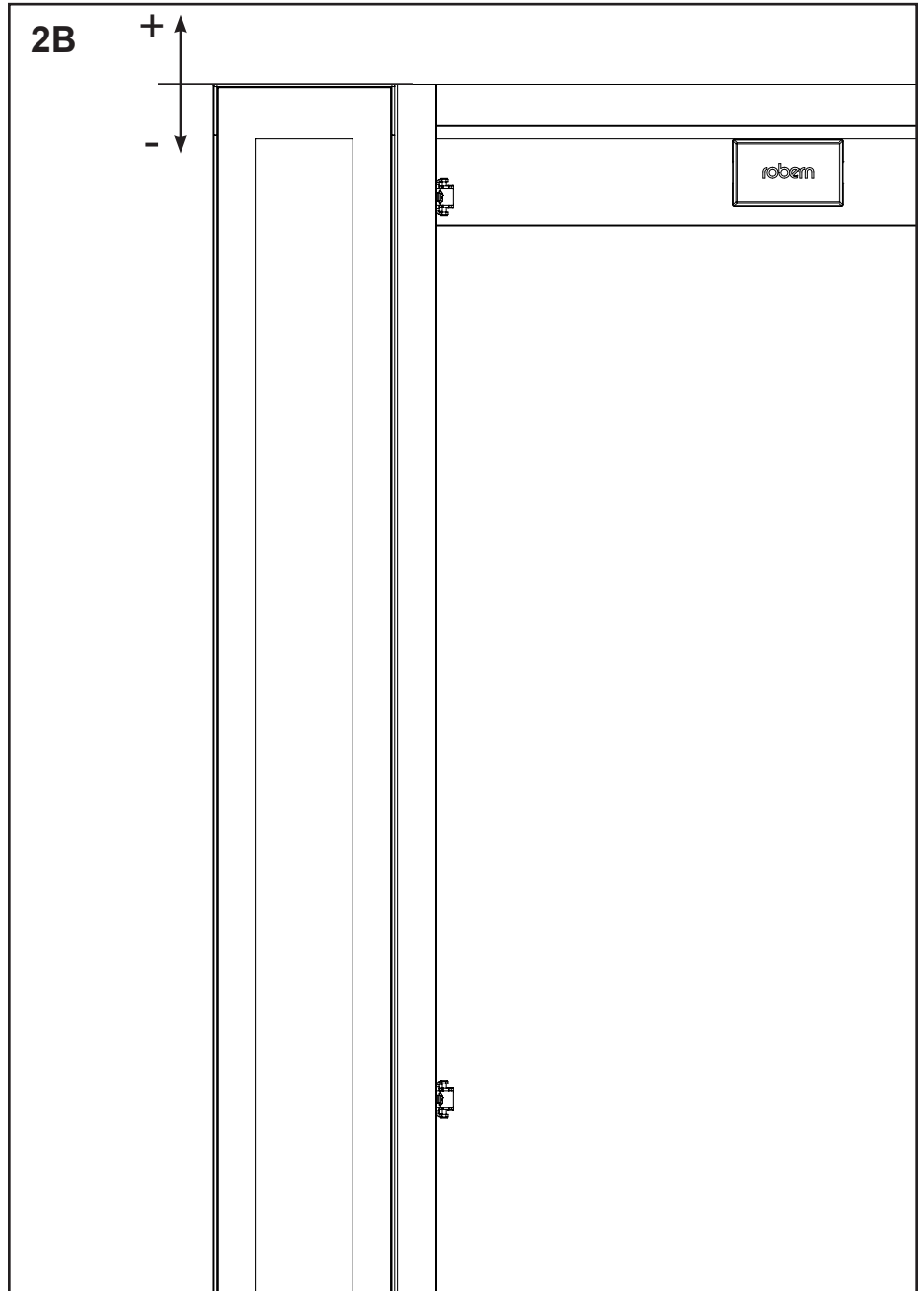
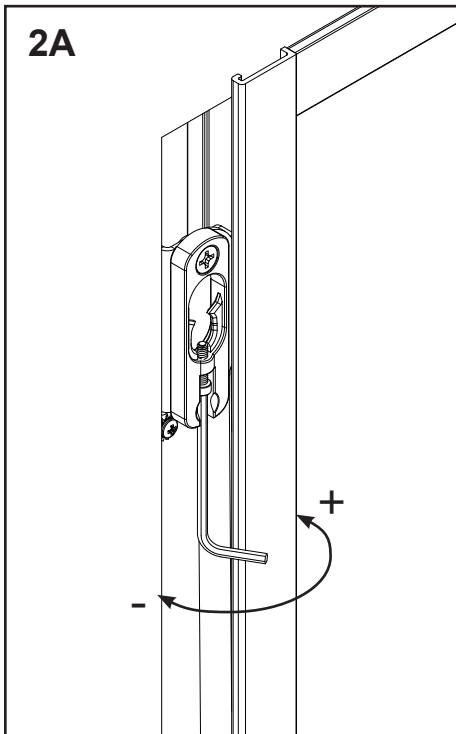
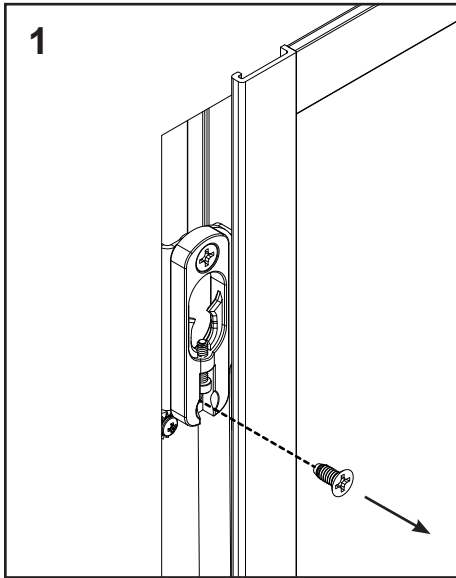
PRODUCT ALIGNMENT

Note: If the top of the light doesn't align with the top of the cabinet flange, remove the light and set aside in a safe place before proceeding with the following steps.

1. Remove the lower mounting screw [203-1538] from the adjustable button receiver to access the adjustment screw.

2A. Using the provided Allen key [203-1057] turn the adjustment screw to raise or lower the light into alignment with the cabinet.

2B. Reattach the light and check alignment. Repeated adjustments may be necessary. Once alignment is achieved, reattach the screw [203-1538] removed in step 1.



PRODUCT ALIGNMENT

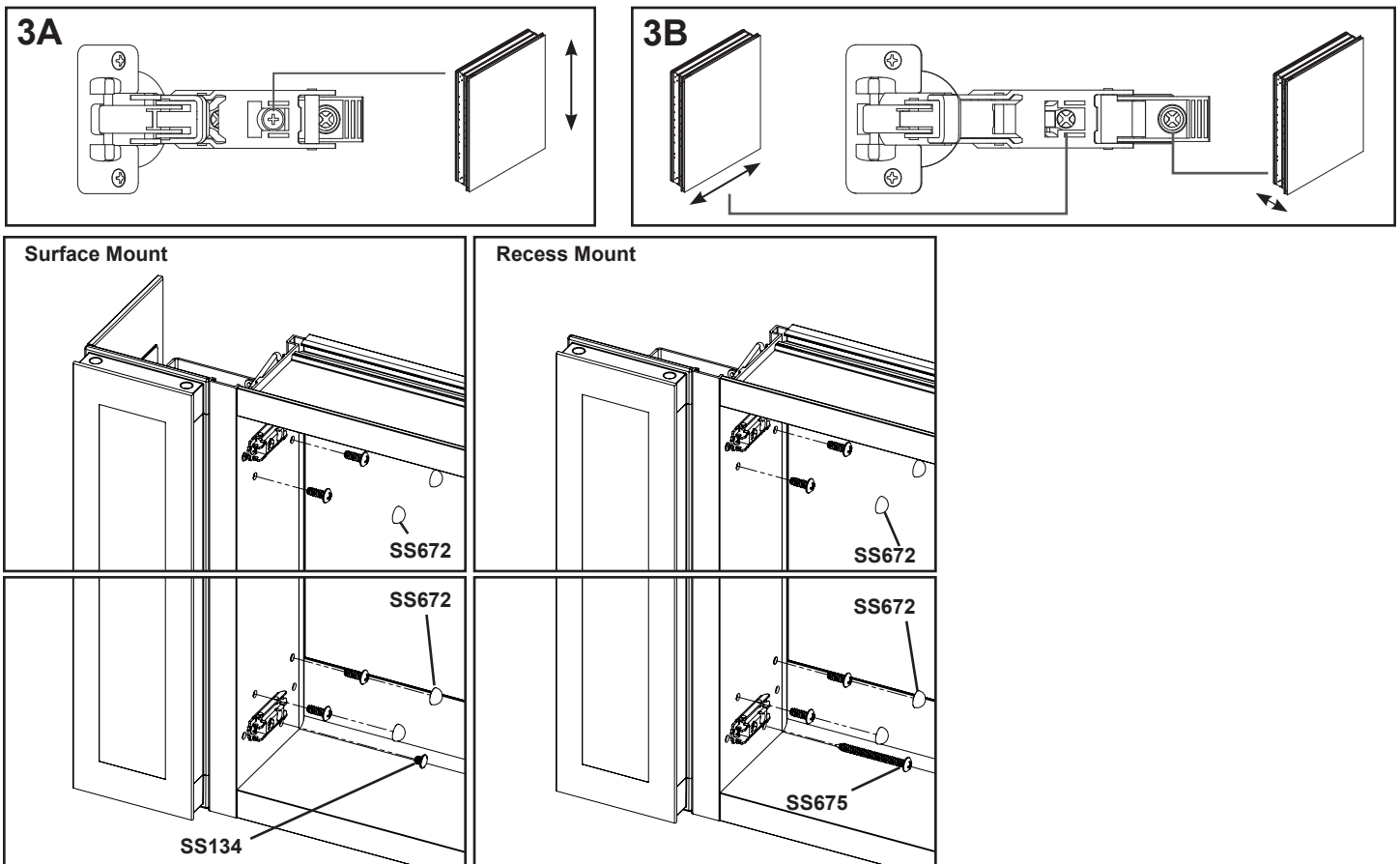
3. Adjust the cabinet doors until they align with the lights using the three-way adjustment features in the hinges, adjusted using a #2 Phillips Head screwdriver.

3A. Height: With the hinge slightly closed, you can access the middle screw. This screw will move your door front up and down.

3B. Side to Side/Depth: With the hinge fully extended, you can access the front and back screws. The front screw will adjust the door from side to side and the rear screw will adjust the door's depth.

4. Press a # 10 screw cap [SS672], provided with each light, onto all exposed screw heads.

5. Press a hole plug [SS134], included with your cabinet hardware, into all open mounting holes.



USE AND MAINTENANCE

CAUTION - RISK OF SHOCK

Risk of personal injury; disconnect power before servicing.

Use only a damp cloth to clean. Ammonia or vinegar-based cleaners can damage the finish.

A 50/50 solution of water and isopropyl alcohol is recommended for cleaning the light fixture.

When cleaning, spray the cloth, not the light fixture or surround surfaces. Do not use abrasive cleansers on any part of the light fixture.



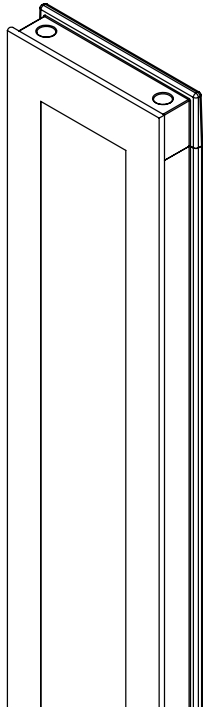
WARRANTY

Limited Warranty One Year Term

Robern warrants to the original purchaser that, it will, at its election repair, replace, or make appropriate adjustment to products made by this company shown to have significant defects in material or workmanship which are reported to Robern in writing within one (1) year from the date of delivery. Robern is not responsible for installation costs. The warranty is void in the event the product is damaged in transit, or if damage or failure is caused by abuse, misuse, abnormal usage, faulty installation, damage in an accident, improper maintenance, or any repairs other than those authorized by Robern. At the expiration of the one year warranty period, Robern shall be under no further obligation under any warranty, expressed or implied, including the implied warranty of merchantability. Robern shall not be liable for any consequential damages arising out of or in connection with the use or performance of its products. Some states do not allow limitations on how long an implied warranty lasts or do not allow the exclusion or limitation of incidental or consequential damages, so the above limitation or exclusion may not apply to you. Any liability against Robern under any implied warranty, including the warranty of merchantability, is expressly limited to the terms of this warranty. Permission to return any merchandise under this warranty must be authorized by Robern and returned prepaid by the purchaser. Claims under this warranty should be sent directly to your dealer.

©2022 Robern, Inc.

All rights reserved



LÁMPARA REGULABLE INLINE™

Instrucciones de instalación

Instrucciones de seguridad importantes

Guarde estas instrucciones

Convient aux emplacements humides /
Adecuadas para ubicaciones húmedas

Scannez le code QR
pour tout voir
série Inline
de lumières.



Escanea el código QR
para ver todo
serie Inline
de luces.

Utilisez l'application appareil
photo sur votre appareil mobile
pour regarder cela et autres
codes QR. Cela permettra
vous permet d'accéder rapide-
ment aux pages Web et autres
documents pertinents.

Usa la aplicación de la cámara en tu
dispositivo móvil para mirar esto y
otros códigos QR. Esto permitirá
usted para acceder rápidamente a
las páginas web
y otros documentos pertinentes.

CONTENU

- Recommandations au gradateur - **2**
- Numéros de modèle - **2**
- Outils Nécessaires / Pièces - **3**
- Remarques - **4**
- Remplacement des embouts - **5**
- Assemblage des Supports - **5**
- Montage des Supports sur l'Armoire - **6**
- Montage des Supports Entre les Armoires - **8**
- Câblage de votre armoire électrique - **9**
- Installation encastré et câblage électrique - **10**
- Installation en surface et câblage électrique - **11/12**
- L'assemblage final - **13**
- Alignement des Produits - **14/15**
- Utilisation et entretien / Garantie - **16**

CONTENIDO

- Recomendaciones del Interruptor de atenuación - **2**
- Números de modelo - **2**
- Herramientas Necesarias / Piezas - **3**
- Notas - **4**
- Reemplazo de tapas extremas - **5**
- Montaje de los Soportes - **5**
- Montaje de los Soportes en el Gabinete - **6**
- Montaje de soportes entre armarios para conexión - **8**
- Cableado de su caja eléctrica - **9**
- Instalación Empotrada y cableado eléctrico - **10**
- Instalación en Superficie y cableado eléctrico - **11/12**
- Asamblea Final - **13**
- Alineación de Productos - **15**
- Uso y mantenimiento / Garantía - **17**

INFORMATION GÉNÉRALE

Cette fiche d'instructions contient des informations sur l'installation du InlineLight. Cette série se décline en plusieurs variantes. Veuillez vous référer à la boîte ou à l'étiquette du produit pour le numéro de modèle spécifique. Une clé est fournie à la page 18.

Conservez ces instructions pour une utilisation et une référence futures. Une installation incorrecte annule la garantie. Inspectez soigneusement la lampe pour tout dommage. Les produits installés ne peuvent pas être retournés.

Si vous rencontrez des problèmes avec votre éclairage, contactez votre revendeur ou directement Robern.

Garantie limitée - Durée d'un an

INFORMACIÓN GENERAL

Esta hoja de instrucciones contiene información sobre cómo instalar Inline Light. Esta serie viene en muchas variaciones. Consulte la caja o la etiqueta del producto para obtener el número de modelo específico. Se proporciona una clave en la página 18.

Guarde estas instrucciones para uso futuro y referencia. Una instalación incorrecta anula la garantía. Inspeccione cuidadosamente la luz en busca de daños. Los productos instalados no pueden ser devueltos.

Si tiene algún problema con su luz, comuníquese directamente con su distribuidor o con Robern.

Garantía limitada: un año

RECOMMANDATIONS AU GRADATEUR

Robern recommande d'utiliser le gradateur
Lutron® modèle # MACL-153M
Lutron® modèle # DVCL-153P
Lutron® modèle # MRF2-6CL
Lutron® modèle # PD-5NE
Leviton® modèle # DSL-06

D'autres gradateurs de commande à LED peuvent fonctionner avec ce produit mais n'ont pas été testés ou vérifiés. Il est recommandé de laisser le variateur à la portée de votre miroir afin de pouvoir régler la luminosité.

Pour un fonctionnement tout ou rien (sans gradation), un interrupteur mural standard peut remplacer le gradateur.

RECOMENDACIONES DEL INTERRUPTOR DE ATENUACIÓN

Para los modelos regulables, Robern recomienda el Atenuador
Lutron® modelo # MACL-153M
Lutron® modelo # DVCL-153P
Lutron® modelo # MRF2-6CL
Lutron® modelo # PD-5NE
Leviton® modelo # DSL-06

Otros atenuadores de control LED pueden funcionar con este producto pero no han sido probados o verificados. Se recomienda que el atenuador esté al alcance de su espejo para que pueda ajustar el brillo.

Para la operación de encendido / apagado (sin atenuación), se puede sustituir un interruptor de pared estándar en lugar del atenuador.

NUMÉROS DE MODÈLE

Utilisez le tableau ci-dessous pour savoir comment lire le numéro de modèle de votre lampe. Consultez le catalogue de prix Robern pour une liste complète des numéros de modèle.

Exemple de modèle: /
Modelo de ejemplo:

M L A30 I K S S 3D

M L I K S S

Gamme De Produits /
Línea de producto

M = Inline

Catégorie/Categoría

L = Éclairage/Encendiendo

Dimensions/
Dimensiones

A30 = 3-1/2" W × 30" H

A36 = 3-1/2" W × 36" H

A40 = 3-1/2" W × 40" H

A48 = 3-1/2" W × 48" H

Style d'éclairage/
Estilo de iluminación

I = Inline

Type de lumière/
Tipo de luz

K = Titre 24 LED/LED por el Título 24

Quantité de lumières/
Cantidad de luces

S = Seule/Soltera

Finition du corps/
Acabado del cuerpo

S = Argent/Plata

Options d'éclairage
/Opción de iluminación

3D = Gradable/Regulable: (3000K)

VC = Réglable/Ajustable: (2700K - 5600K)

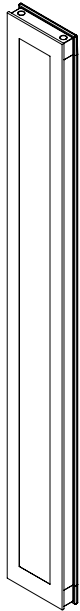
NÚMEROS DE MODELO

Use la tabla a continuación para aprender a leer su número de modelo de luz. Consulte el Libro de precios de Robern para obtener una lista completa de los números de modelo.

OUTILS NÉCESSAIRES / HERRAMIENTAS NECESARIAS



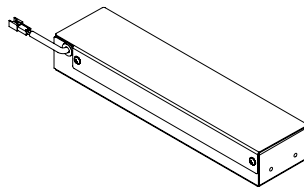
PIÈCES / PIEZAS



(1) Inline Lumière /
Inline Lámpara



[210-1816]
(2) Supports de montage /
Soportes de montaje

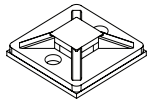


[230-1002]
(1) Boîtier électrique /
Caja eléctrica

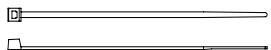
Sac de Visserie / Bolsa de Herrajes* [216-1232]



[SS675]
(4) Vis / Tornillo, #10 x 3"



[219-1076]
(1) Support d'attache de câble /
Sujetacables

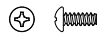


[203-1089]
(1) Attaches de Câble /
Amarras para Cables

(2) Sac / Bolsa A*
[216-1227]



[SS672]
(12) Chapeau à vis /
Tapapernos



[SS676]
(8) Vis / Tornillo, #10 x 1/2"

Sac / Bolsa D*
[216-1230]



[203-1497]
(2) Vis / Tornillo, #8 x 3/8"



[211-1351]
(2) Bouton de Montage /
Botón de Montaje

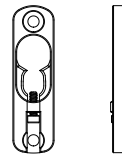
Sac / Bolsa B*
[216-1228]



[SS344]
(3) Vis / Tornillo, #8 x 3/8"

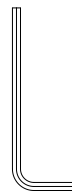


[203-1068]
(3) #8 Rondelle de blocage /
Arandela de seguridad



[205-3304]
(4) Récepteur à Bouton Réglable /
Receptor de Botón Ajustable

(2) Sac / Bolsa C*
[216-1229]



[203-1057]
(1) 3/32" Clé Allen /
Llave Allen





[203-1538]
(10) Vis / Tornillo,
#8 x 5/8" Flat


* Selon l'installation, toutes les pièces ne seront pas utilisées /
Dependiendo de la instalación, no se utilizarán todas las piezas.

REMARQUES

Déballiez la lumière. Vérifiez soigneusement la boîte pour tout le matériel et les pièces détachées. Inspectez soigneusement le luminaire pour tout dommage.

 **DANGER:** Risque de blessures corporelles. Pour éviter un éventuel choc électrique, l'électricité doit être coupée au niveau du disjoncteur ou de la boîte à fusibles avant de tenter toute procédure d'installation.

 **DANGER:** Risque de blessures corporelles. Pour éviter tout choc électrique, le luminaire doit être correctement mis à la terre.

 **ATTENTION:** Instructions de mise à la terre pour les produits connectés en permanence: Ce produit doit être connecté à un système de câblage permanent métallique mis à la terre ou un conducteur de mise à la terre de l'équipement doit être exécuté avec les conducteurs du circuit et connecté à la borne de mise à la terre de l'équipement ou au fil du produit. Tout le câblage doit être effectué par un électricien agréé qualifié.

IMPORTANT: L'alimentation des lumières doit être fournie séparément de l'électricité à l'armoire afin que lorsque les lumières sont éteintes, l'électricité de l'armoire reste allumée.

REMARQUE: Nécessite un circuit d'au moins 120 VCA 15 ampères.

REMARQUE: Nécessite un gradateur compatible approuvé pour l'installation (non inclus). Reportez-vous à la recommandation du gradateur à la page 18.

Respectez tous les codes électriques et codes du bâtiment applicables. Câblez les luminaires conformément aux codes électriques.


Ce luminaire est destiné à une utilisation en intérieur uniquement.


Cette installation peut nécessiter l'assistance de plusieurs personnes en fonction de la configuration de votre éclairage / armoire.


**DANGER -
RISQUE DE CHOC -
DÉBRANCHEZ
L'ALIMENTATION AVANT
L'INSTALLATION**

NOTAS

Desempaca la luz. Revise la caja a fondo para ver todos los accesorios y piezas sueltas. Inspeccione cuidadosamente el accesorio por daños.

 **PELIGRO:** Riesgo de lesiones personales. Para evitar posibles descargas eléctricas, la electricidad debe apagarse en el disyuntor o en la caja de fusibles antes de intentar cualquier procedimiento de instalación.

 **PELIGRO:** Riesgo de lesiones personales. Para evitar posibles descargas eléctricas, el artefacto de iluminación debe estar debidamente conectado a tierra.

 **PRECAUCIÓN:** Instrucciones de conexión a tierra para productos conectados permanentemente: este producto debe conectarse a un sistema de cableado metálico permanente conectado a tierra o un conductor de conexión a tierra del equipo debe funcionar con los conductores del circuito y conectado al terminal de conexión a tierra del equipo o al cable del producto. Todo el cableado debe ser realizado por un electricista calificado y con licencia.

IMPORTANTE: la alimentación de las luces debe proporcionarse por separado de la electricidad al gabinete, de modo que cuando las luces se apagan, la electricidad del gabinete permanece encendida.

NOTA: Requiere un circuito mínimo de 120 VCA y 15 amperios.

NOTA: Requiere un atenuador compatible aprobado para la instalación (no incluido). Consulte la recomendación de dimmer en la página 18.

Observe todos los códigos eléctricos y de construcción aplicables. Cablee las lámparas de acuerdo con los códigos eléctricos.

Este accesorio es solo para uso en interiores.

Esta instalación puede requerir la asistencia de más de una persona dependiendo de la configuración de su Light / Cabinet.

**PELIGRO -
RIESGO DE CHOQUE -
DESCONECTE LA
ALIMENTACIÓN ANTES DE
LA INSTALACIÓN**

ASSEMBLAGE DES SUPPORTS

Remarque: Si la lumière doit être installée sur la LH (main gauche) d'une armoire, une installation LH est requise. Si la lumière doit être installée sur la droite (main droite) d'une armoire, une installation à droite est requise.

1. Orientez l'un des supports de montage [210-1816] (comme illustré) en vous assurant que les vis d'accès électrique sur le boîtier électrique [205-3563] sont dirigées vers l'avant de l'armoire.

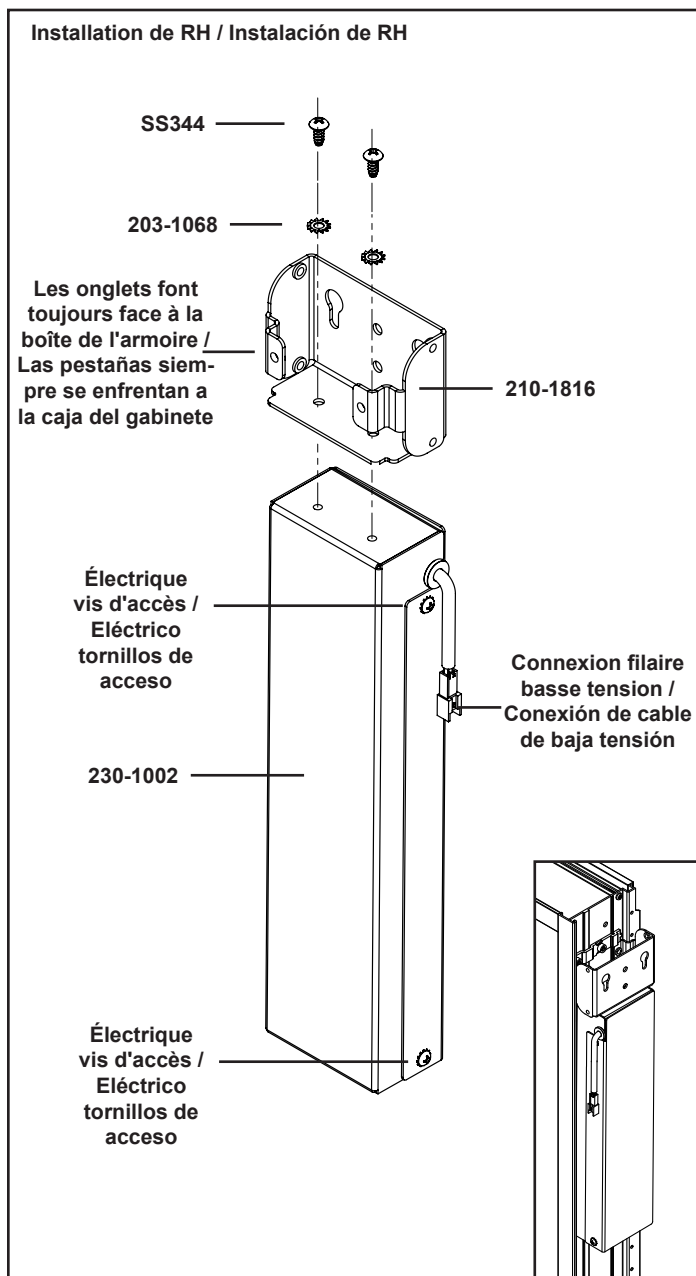
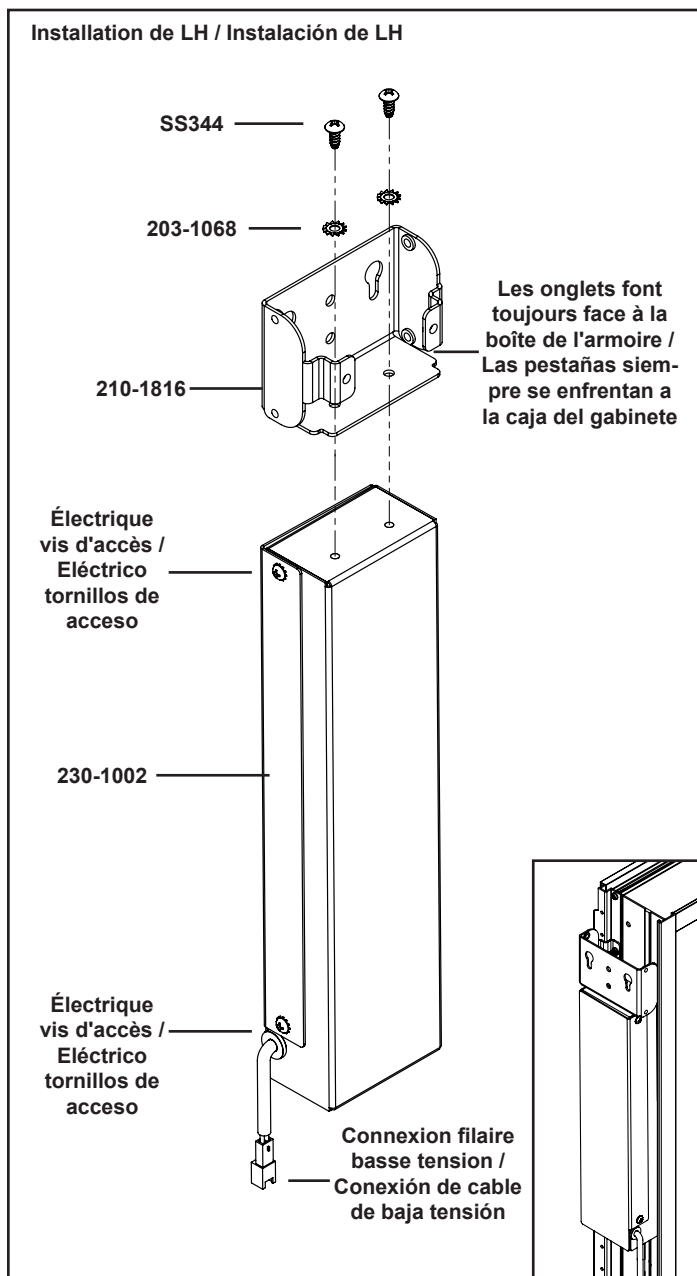
2. Fixez le boîtier électrique inclus (205-3563) au support à l'aide des vis n° 8 [SS344] et des rondelles frein [203-1068] fournies.

MONTAJE DE LOS SOPORTES

Nota: Si la luz se va a instalar en el LH (lado izquierdo) de un gabinete, se requiere una instalación LH. Si la luz se va a instalar en el lado derecho (lado derecho) de un gabinete, se requiere una instalación en el lado derecho.

1. Oriente uno de los soportes de montaje [210-1816] (como se muestra) asegurándose de que los tornillos de acceso eléctrico en el gabinete eléctrico [205-3563] apunten hacia la parte frontal del gabinete.

2. Fije el gabinete eléctrico incluido (205-3563) al soporte utilizando los tornillos # 8 suministrados [SS344] y las arandelas de seguridad [203-1068].



MONTAGE DES SUPPORTS SUR L'ARMOIRE

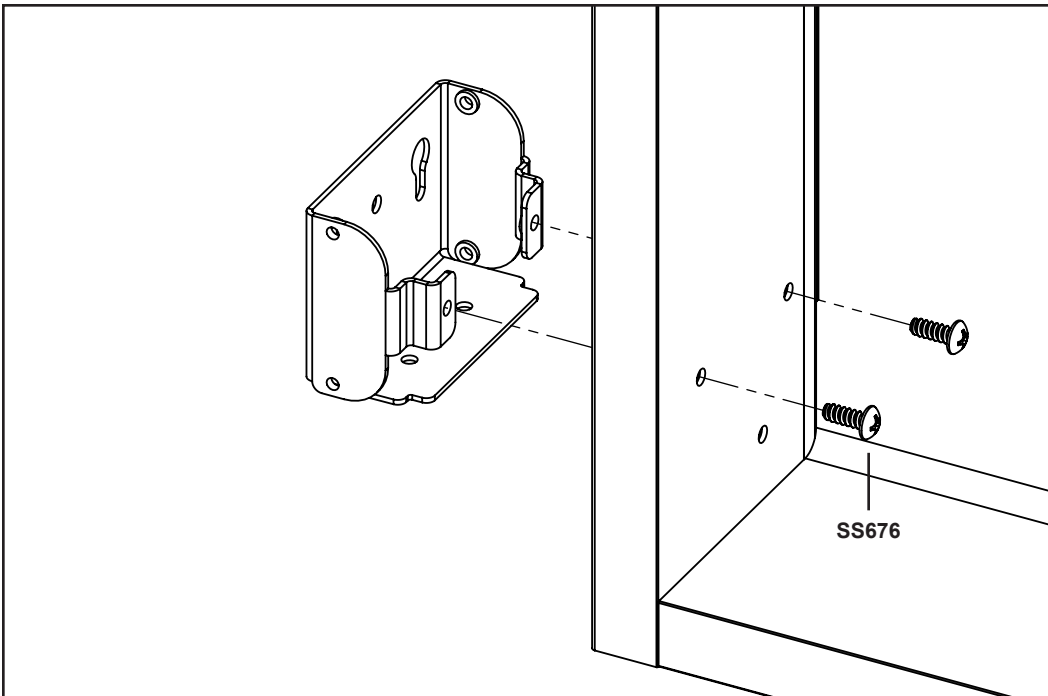
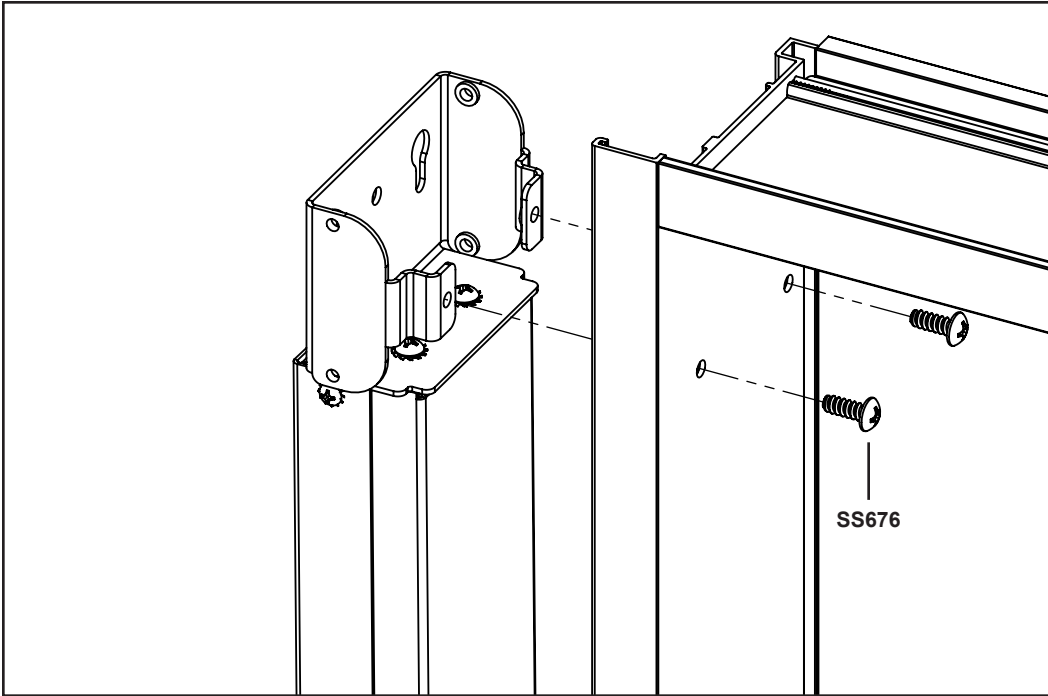
Remarque: Lors du montage des lumières entre les armoires, voir la page suivante.

1. Montez les supports sur l'armoire à travers les emplacements de regroupement, comme illustré, à l'aide des vis #10 fournies [SS676].

MONTAJE DE LOS SOPORTES AL GABINETE

Nota: Cuando monte las luces entre los gabinetes, consulte la siguiente página.

1. Monte los soportes en el gabinete a través de las ubicaciones de agrupamiento, como se muestra, utilizando los tornillos #10 suministrados [SS676].



MONTAGE DES SUPPORTS ENTRE LES ARMOIRES POUR LE JUMELAGE

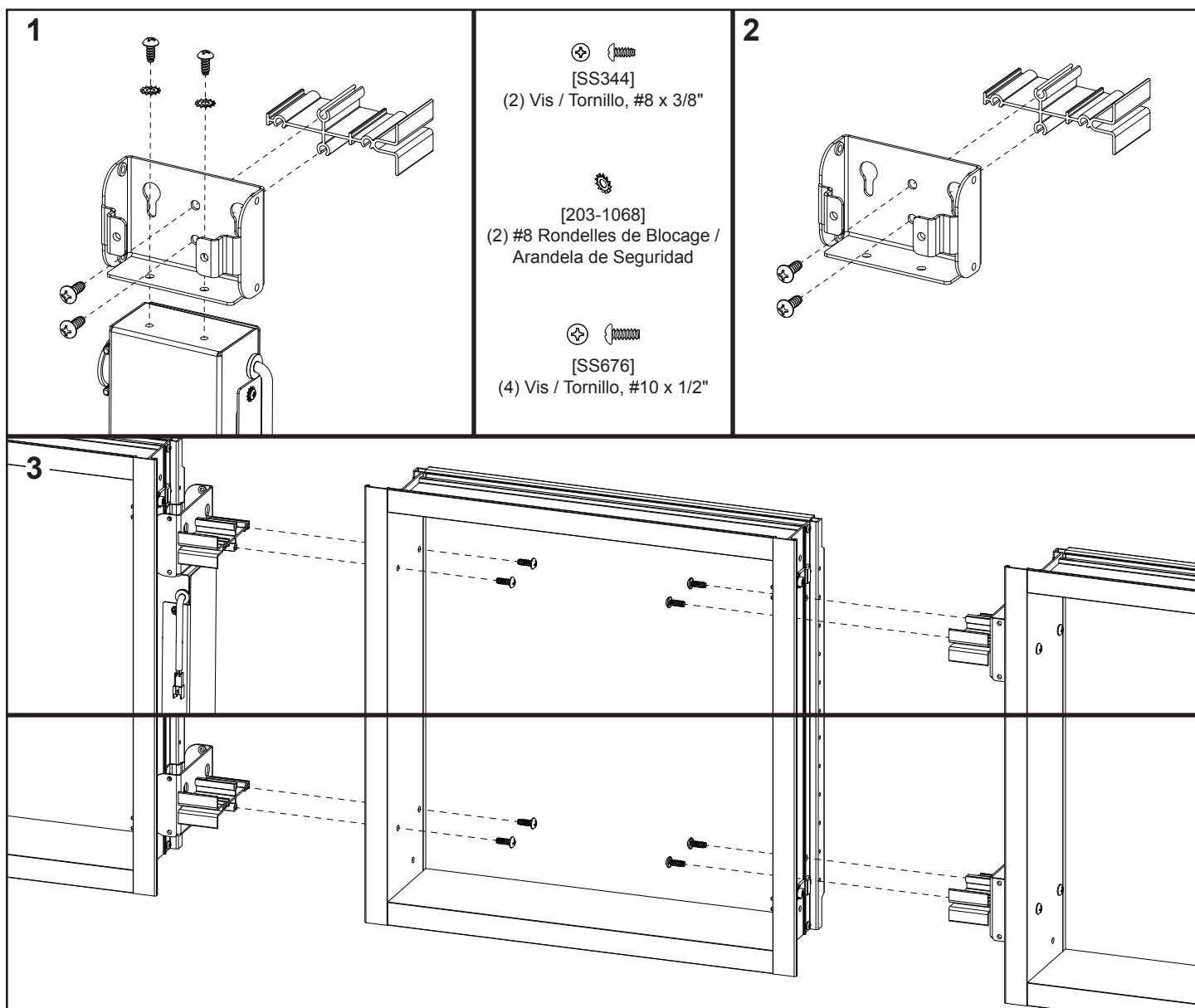
REMARQUE : Un kit de regroupement (voir les instructions de l'armoire, vendues séparément) est requis pour les instructions suivantes. Tous les composants supplémentaires indiqués dans les étapes suivantes seront inclus avec le kit de regroupement. Un kit comprend suffisamment de composants pour regrouper deux lumières entre les armoires.

1. À l'aide de deux vis n°8 x 3/8" [SS344] et de deux rondelles de blocage [203-1068], fixez les supports de montage au boîtier électrique.
2. À l'aide de deux vis de #10x1/2 po [SS676], fixez chaque support de montage à un bloc de montage, inclus dans le Ganging Kit.
3. Fixez les supports de montage à chaque armoire à l'aide de quatre vis #10x1/2 po [SS676].

MONTAJE DE SOPORTES ENTRE ARMARIOS PARA CONEXIÓN

NOTA: Se requiere un kit de unión (consulte las instrucciones del gabinete, que se venden por separado) para las siguientes instrucciones. Todos los componentes adicionales que se muestran en los siguientes pasos se incluirán con el kit de agrupación. Un kit incluye suficientes componentes para agrupar dos luces entre gabinetes.

1. Usando dos tornillos #8 x 3/8" [SS344] y dos arandelas de seguridad [203-1068], fije los soportes de montaje a la caja eléctrica.
2. Tome dos tornillos #10 x 1/2" [SS676] y fije cada soporte de montaje a un bloque de conexión, que se incluye en el Ganging Kit.
3. Fije los conjuntos de soporte de montaje en cada armario con cuatro tornillos #10 x 1/2" [SS676].

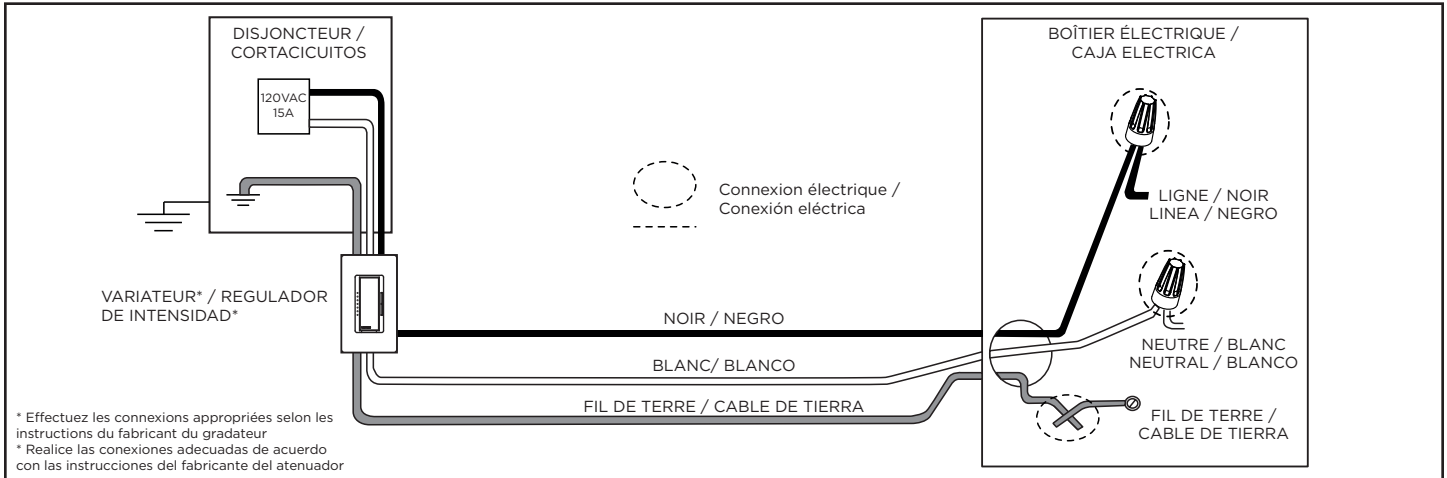


CÂBLAGE DE VOTRE ARMOIRE ÉLECTRIQUE

1. Suivez le schéma électrique ci-dessous lors de l'installation de votre luminaire.

CABLEADO DE SU CAJA ELÉCTRICA

1. Siga el diagrama eléctrico a continuación durante la instalación de su luz.



INSTALLATION ENCASTRÉ ET CÂBLAGE ÉLECTRIQUE

1. Préparez votre ouverture brute comme indiqué ci-dessous. Ajoutez du blocage aux quatre coins de l'ouverture brute. Reportez-vous également au tableau et aux instructions fournies avec l'armoire.

2. Retirez les deux vis n° 6-32 qui maintiennent le couvercle du boîtier électrique en place. Mettez le couvercle et les vis de côté dans un endroit sûr.

3. Une fois le couvercle électrique retiré, soutenez l'armoire sur le bord de l'ouverture encastrée et faites passer le câble de terrain à travers le réducteur de tension du câble de terrain à l'arrière de chaque boîtier.

4. Poussez l'assemblage de l'armoire dans l'ouverture encastrée jusqu'à ce que l'arrière de la bride de l'armoire soit serré contre la surface finie du mur.

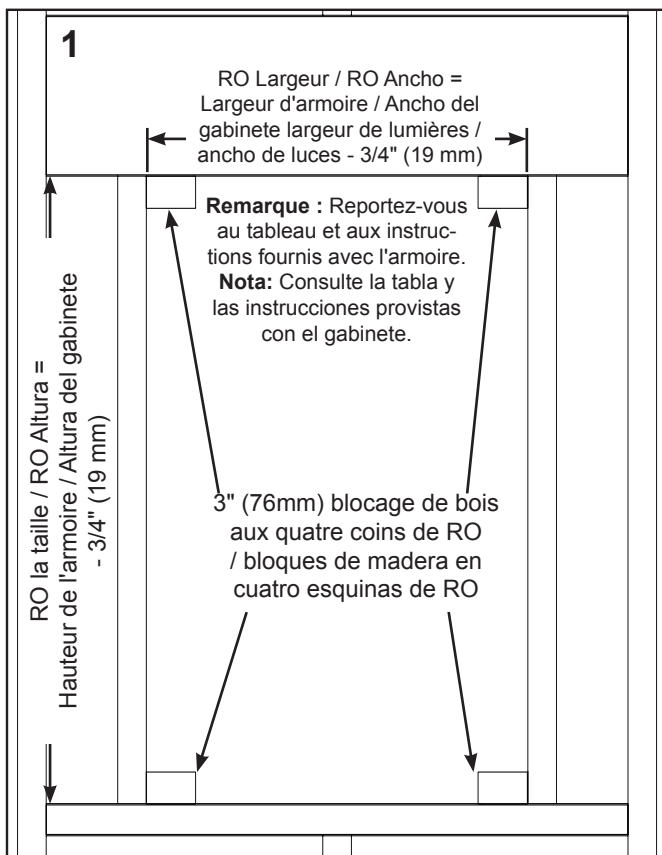
5. À l'aide d'un niveau, nivelez et aplombez les produits dans l'ouverture. Caler si nécessaire. À l'aide d'une équerre, assurez-vous que l'armoire est d'équerre dans tous les axes.

6. Montez l'armoire en place à l'aide des vis #10 [SS675] fournies avec les lumières.

7. Effectuez le raccordement électrique selon le schéma électrique à la page 9.

Remarque: Laisser trop de fil de terrain dans le boîtier peut l'empêcher de se fermer correctement et peut endommager les composants internes.

8. Remplacez le couvercle électrique à l'aide des deux vis #6-32 retirées à l'étape 2. fournies avec les lampes.



INSTALACIÓN EMPOTRADO Y CABLEADO ELÉCTRICO

1. Prepare su abertura preliminar como se muestra a continuación. Agregue bloqueo a las cuatro esquinas de la abertura sin terminar. Consulte también la tabla y las instrucciones provistas con el gabinete.

2. Retire los dos tornillos #6-32 que sujetan la cubierta del gabinete eléctrico en su lugar. Deje la cubierta y los tornillos a un lado en un lugar seguro.

3. Con la cubierta eléctrica quitada, apoye el gabinete en el borde de la abertura empotrada y pase el cable de campo a través del alivio de tensión del cable de campo en la parte posterior de cada gabinete.

4. Empuje el conjunto del gabinete dentro de la abertura empotrada hasta que la parte posterior de la brida del gabinete esté ajustada a la superficie acabada de la pared.

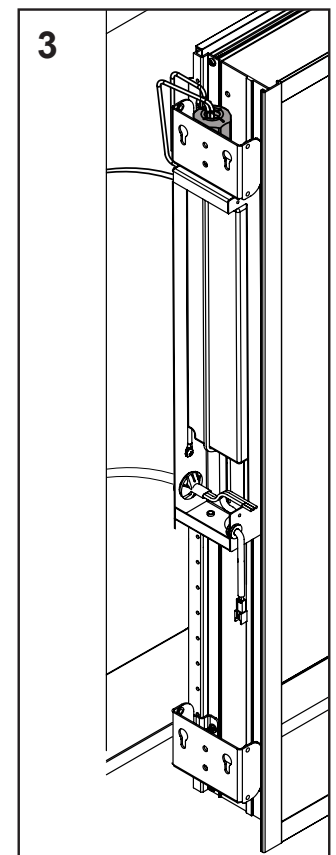
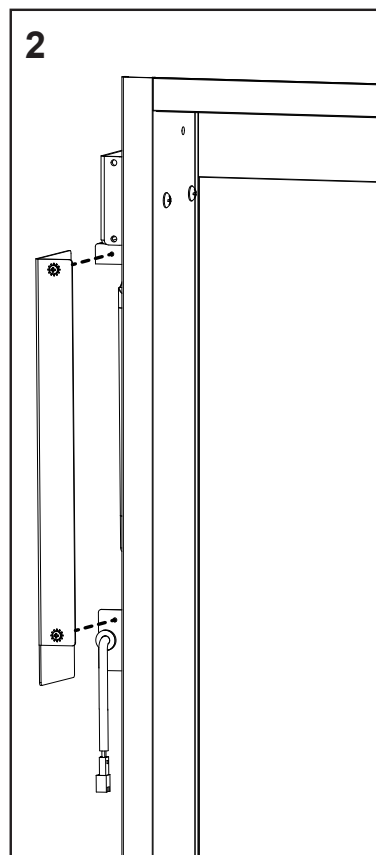
5. Utilizando un nivel, nivele y aplome los productos en la abertura. Calce según sea necesario. Usando un cuadrado, asegúrese de que el gabinete esté cuadrado en todos los ejes.

6. Monte el gabinete en su lugar con los tornillos n.º 10 [SS675] provistos con las luces.

7. Realice la conexión eléctrica según el esquema eléctrico de la página 9.

Nota: Dejar demasiado cable de campo en el gabinete podría evitar que se cierre correctamente y puede causar daños a los componentes internos.

8. Vuelva a colocar la cubierta eléctrica utilizando los dos tornillos #6-32 que retiró en el Paso 2. [SS675] provistos con las luces.



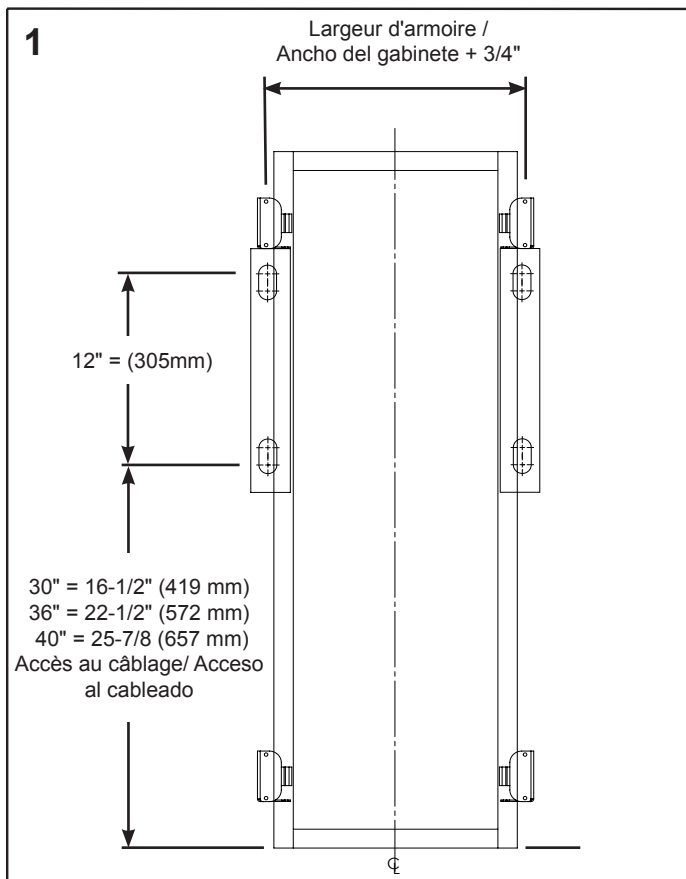
INSTALLATION EN SURFACE ET CÂBLAGE ÉLECTRIQUE

Remarque : Un kit de montage en surface (reportez-vous aux instructions de l'armoire, vendues séparément) est requis pour les instructions suivantes.

1. Préparez le raccordement électrique comme indiqué ci-dessous.
2. Retirez les deux vis n° 6-32 qui maintiennent le couvercle du boîtier électrique en place. Mettez le couvercle et les vis de côté dans un endroit sûr.
3. Une fois le couvercle électrique retiré, faites passer le fil de terrain à travers le réducteur de tension du fil de terrain à l'arrière du boîtier électrique.
4. Montez l'armoire en place en suivant les étapes fournies dans les instructions de l'armoire ou des kits de montage en surface.
5. Effectuez le raccordement électrique selon le schéma électrique à la page 9.

Remarque: Laisser trop de fil de terrain dans le boîtier peut l'empêcher de se fermer correctement et peut endommager les composants internes.

6. Remplacez le couvercle électrique à l'aide des deux vis #6-32 retirées à l'étape 2.



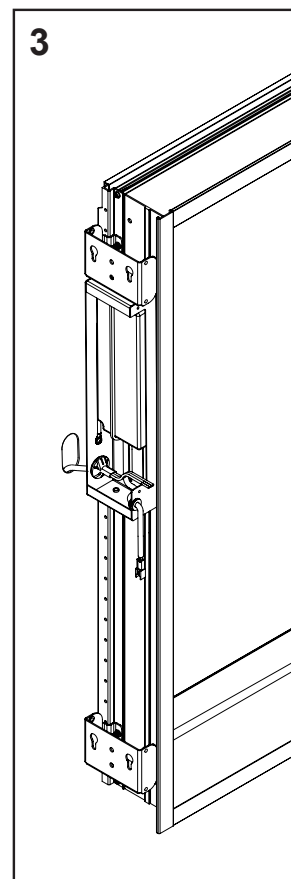
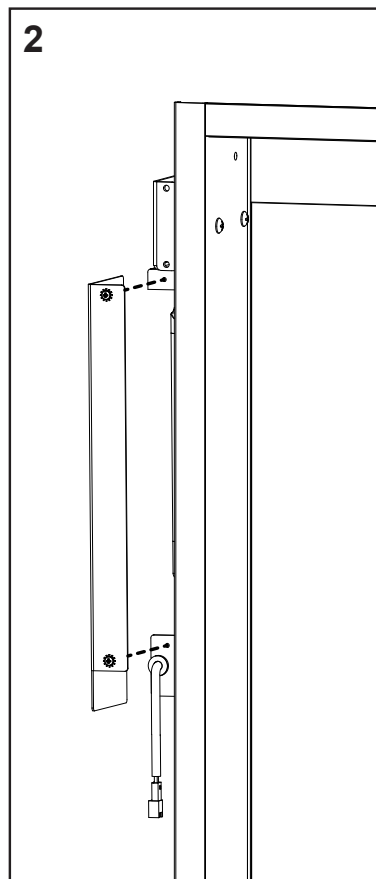
INSTALACIÓN DE SUPERFICIE Y CABLEADO ELÉCTRICO

1. Con la cubierta eléctrica retirada, alimente el cable de campo a Nota: Se requiere un kit de montaje en superficie (consulte las instrucciones del gabinete, que se venden por separado) para las siguientes instrucciones.

1. Prepare la instalación eléctrica como se muestra a continuación.
2. Retire los dos tornillos #6-32 que sujetan la cubierta del gabinete eléctrico en su lugar. Deje la cubierta y los tornillos a un lado en un lugar seguro.
3. Con la cubierta eléctrica quitada, pase el cable de campo a través del alivio de tensión del cable de campo en la parte posterior del gabinete eléctrico.
4. Monte el gabinete en su lugar siguiendo los pasos proporcionados en las instrucciones del gabinete o de los kits de montaje en superficie.
5. Realice la conexión eléctrica según el esquema eléctrico de la página 9.

Nota: Dejar demasiado cable de campo en el gabinete podría evitar que se cierre correctamente y puede causar daños a los componentes internos.

6. Vuelva a colocar la cubierta eléctrica utilizando los dos tornillos #6-32 que retiró en el Paso 2.



INSTALLATION EN SURFACE ET ÉLECTRIQUE

7. Vissez les vis #10 [SS676] fournies avec le kit de montage en surface (vendu séparément) dans les trous des supports latéraux du kit. Utilisez un centime (comme détaillé dans la figure 4 ci-dessous) pour régler la distance de profondeur.

8. En orientant le kit latéral comme illustré ci-dessous, insérez les têtes de vis dans les trous de serrure sur le côté des supports d'éclairage supérieur et inférieur, puis faites glisser le kit latéral vers le bas en place.

Remarque: Si le support n'est pas orienté correctement, le kit latéral ne peut pas être abaissé en place et peut tomber, entraînant des dommages.

Remarque: si le Sidekit semble desserré, déplacez-le d'avant en arrière pour déterminer quelle vis semble desserrée. Soulevez et retirez le kit latéral des supports et tournez la vis desserrée d'un quart de tour dans le sens des aiguilles d'une montre, en répétant si nécessaire.

Remarque: Si le kit latéral ne s'abaisse pas en place, retirez le kit latéral des trous de serrure et tournez les vis d'un quart de tour dans le sens antihoraire.

INSTALACIÓN DE SUPERFICIE Y ELÉCTRICA

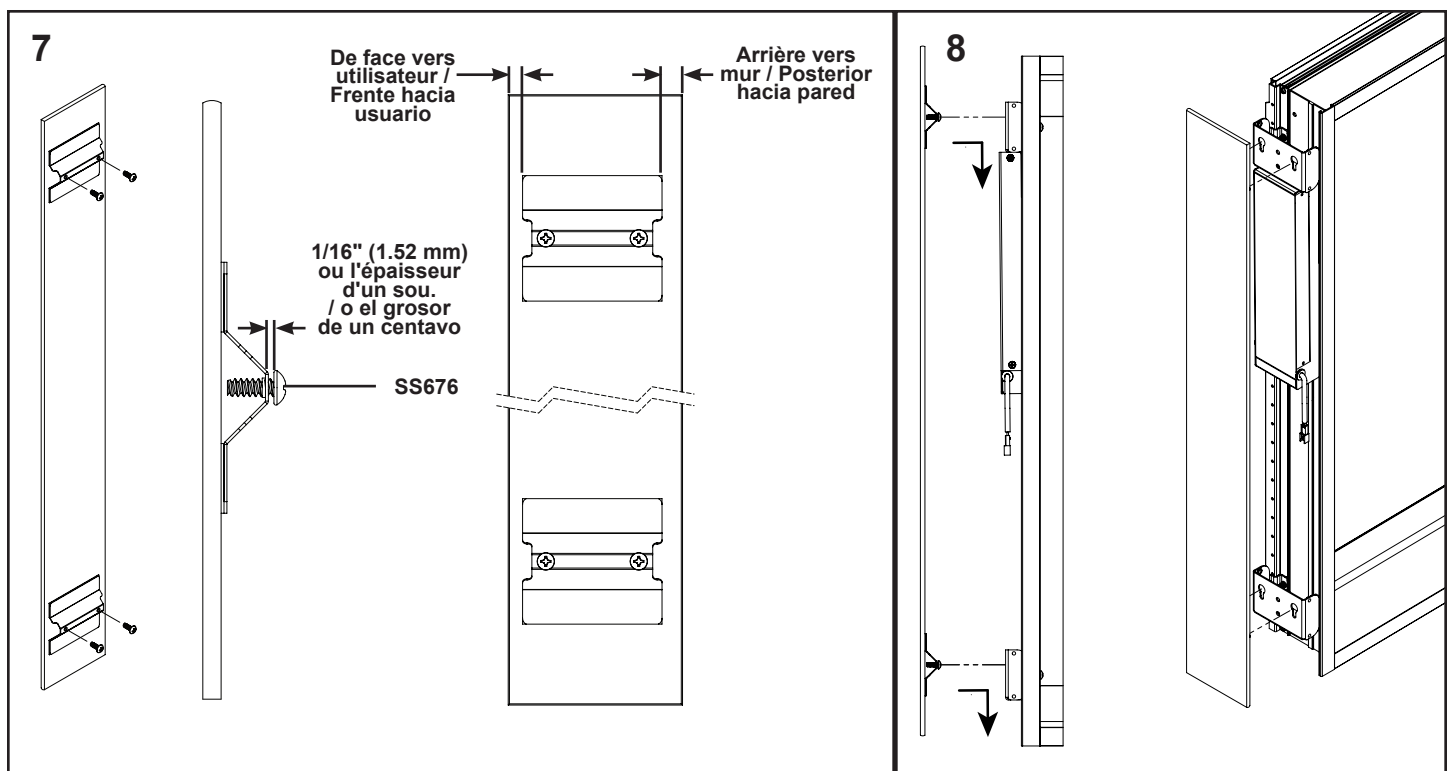
7. Inserte los tornillos n.º 10 [SS676] proporcionados con el kit de montaje en superficie (se vende por separado) en los orificios de los soportes del kit lateral. Use un centavo (como se detalla en la figura 4 a continuación) para establecer la distancia de profundidad.

8. Orientando el kit lateral como se muestra a continuación, inserte las cabezas de los tornillos en los orificios en forma de cerradura en el costado de los soportes de luz superior e inferior, luego deslice el kit lateral hacia abajo en su lugar.

Nota: Si el soporte no está orientado correctamente, el kit lateral no se puede bajar a su lugar y puede caerse y dañarse.

Nota: Si el Sidekit se siente flojo, muévelo hacia adelante y hacia atrás para determinar qué tornillo se siente flojo. Levante y retire el kit lateral de los soportes y gire el tornillo suelto 1/4 de vuelta en el sentido de las agujas del reloj, repitiendo según sea necesario.

Nota: Si el kit lateral no baja hasta su lugar, retírelo de los orificios de la cerradura y gire los tornillos 1/4 de vuelta en sentido contrario a las agujas del reloj.

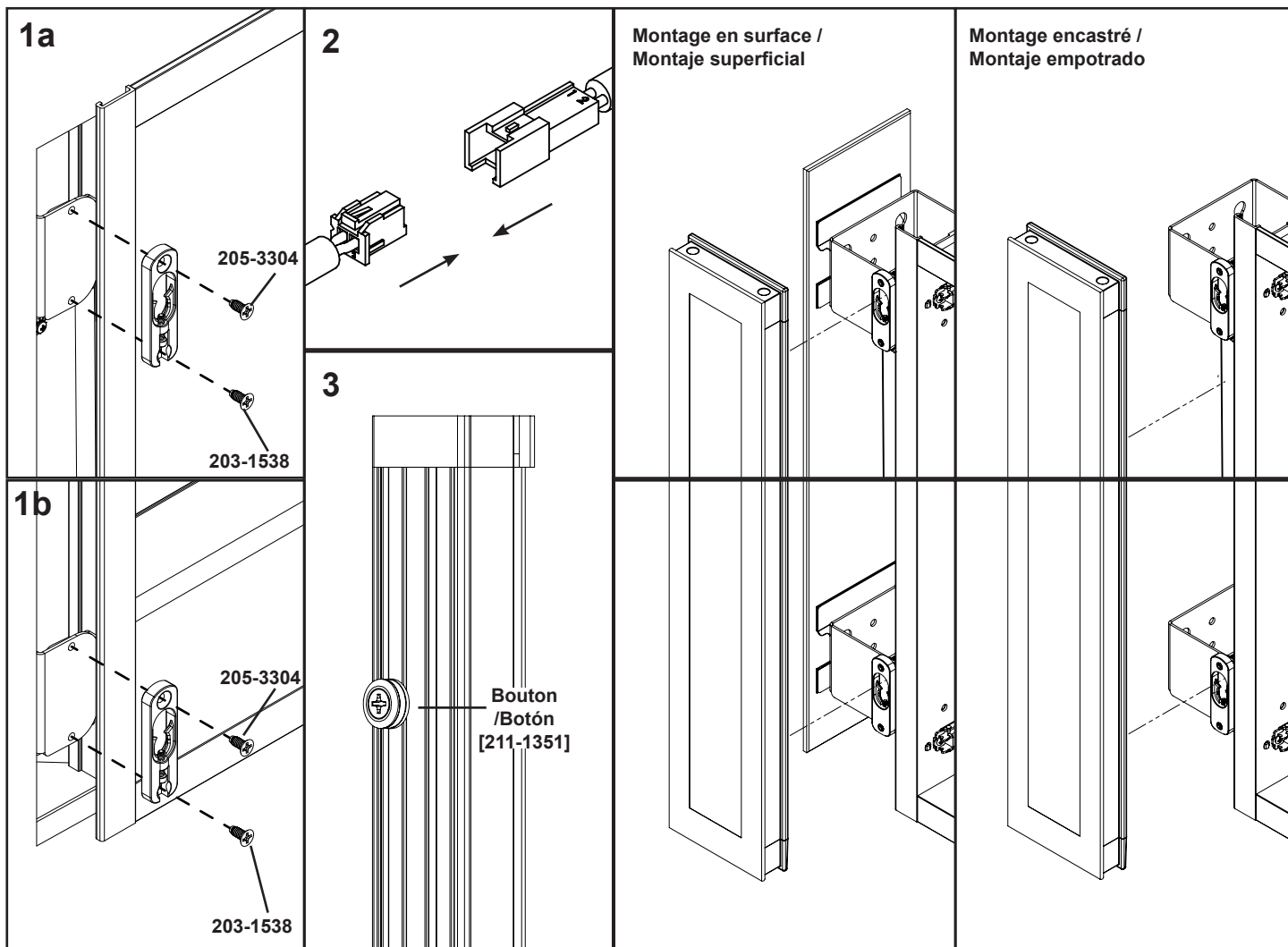


L'ASSEMBLAGE FINAL

1. À l'aide des vis #8 fournies [203-1538], fixez un récepteur de bouton réglable [211-1362] à chaque support. La tête de vis du récepteur du bouton doit être orientée vers le bas.
2. Branchez le connecteur électrique de la lumière au connecteur de fil électrique basse tension sortant du boîtier électrique.
3. Alignez et insérez les boutons à l'arrière de la lampe dans les récepteurs de boutons réglables supérieur et inférieur [205-3304].
4. Faites glisser la lumière vers le bas jusqu'à ce qu'elle soit complètement engagée.

ASAMBLEA FINAL

1. Usando los tornillos de acceso eléctrico [SS217], las 1. Usando los tornillos #8 provistos [203-1538], fije un receptor de botón ajustable [211-1362] a cada soporte. La cabeza del tornillo en el receptor del botón debe mirar hacia abajo.
2. Conecte el conector eléctrico de la luz al conector del cable eléctrico de bajo voltaje que sale del gabinete eléctrico.
3. Alinee e inserte los botones en la parte posterior de la luz en los receptores de botones ajustables superior e inferior [205-3304].



ALIGNEMENT DES PRODUITS

REMARQUE: Si le haut de la lumière ne s'aligne pas avec le haut de l'armoire, retirez la lumière et mettez-la de côté dans un endroit sûr avant de procéder aux étapes suivantes.

1. Retirez la vis de montage inférieure [203-1538] du récepteur à bouton réglable pour accéder à la vis de réglage.

2A. À l'aide de la clé Allen [203-1057] fournie, tournez la vis de réglage pour élever ou abaisser la lumière en alignement avec l'armoire.

2B. Rattachez la lumière et vérifiez l'alignement. Des ajustements répétés peuvent être nécessaires. Une fois l'alignement obtenu, remettez la vis [203-1538] retirée à l'étape 1.

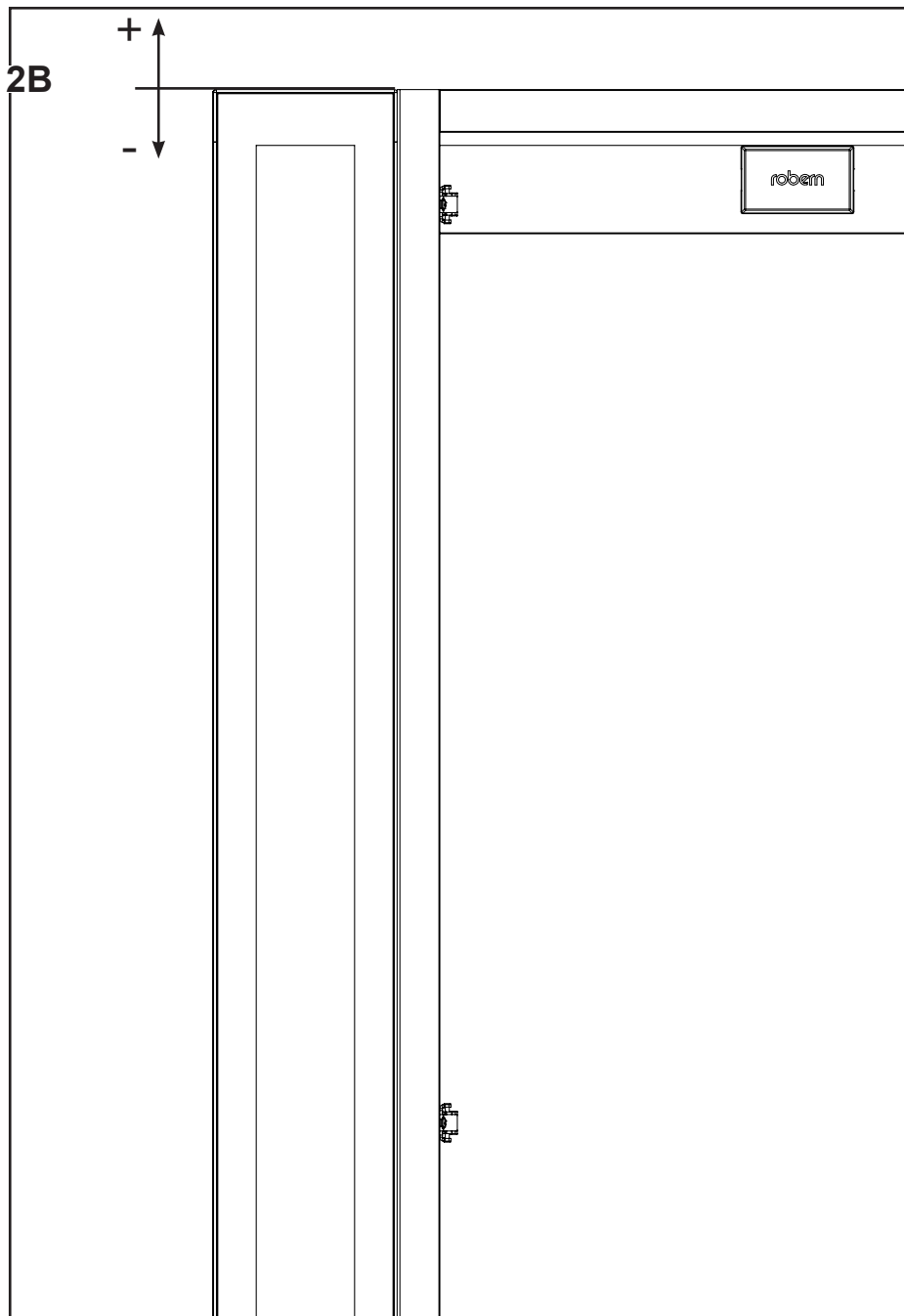
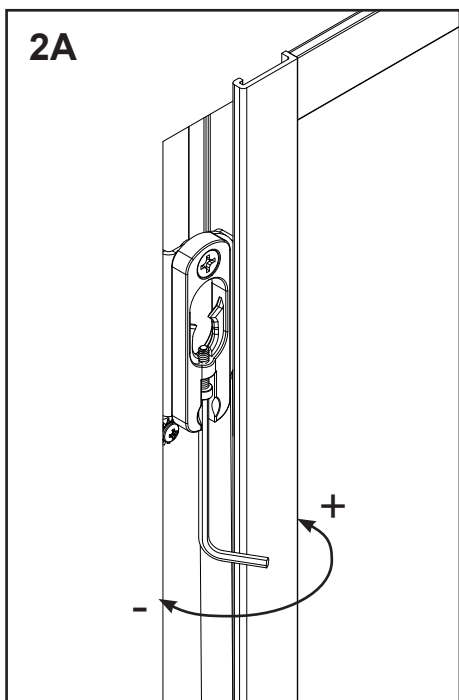
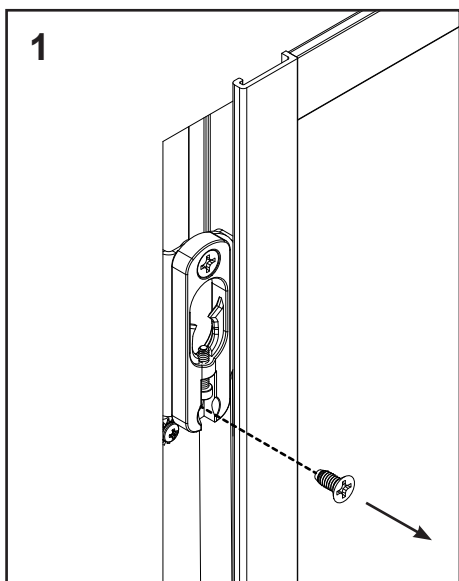
ALINEACIÓN DE PRODUCTOS

NOTA: Si la parte superior de la luz no se alinea con la parte superior del gabinete, retire la luz y guárdela en un lugar seguro antes de continuar con los siguientes pasos.

1. Retire el tornillo de montaje inferior [203-1538] del receptor del botón ajustable para acceder al tornillo de ajuste.

2A. Usando la llave Allen provista [203-1057] gire el tornillo de ajuste para subir o bajar la luz para alinearla con el gabinete.

2B. Vuelva a colocar la luz y verifique la alineación. Ajustes repetidos pueden ser necesarios. Una vez que se logra la alineación, vuelva a colocar el tornillo [203-1538] que retiró en el paso 1.



ALIGNEMENT DES PRODUITS

3. Ajustez les portes de l'armoire jusqu'à ce qu'elles s'alignent avec les lumières à l'aide des fonctions de réglage à trois voies des charnières, ajustées à l'aide d'un tournevis cruciforme n° 2.

3A. Hauteur: Avec la charnière légèrement fermée, vous pouvez accéder à la vis centrale. Cette vis déplacera votre porte vers le haut et vers le bas.

3B. Côté à côté / Profondeur: Avec la charnière complètement déployée, vous pouvez accéder aux vis avant et arrière. La vis avant ajustera la porte d'un côté à l'autre et la vis arrière ajustera la profondeur de la porte.

4. Appuyez un capuchon à vis n° 10 [SS672], fourni avec chaque lampe, sur toutes les têtes de vis exposées.

5. Enfoncez un bouchon de trou [SS134], fourni avec le matériel de votre armoire, dans tous les trous de montage ouverts.

ALINEACIÓN DE PRODUCTOS

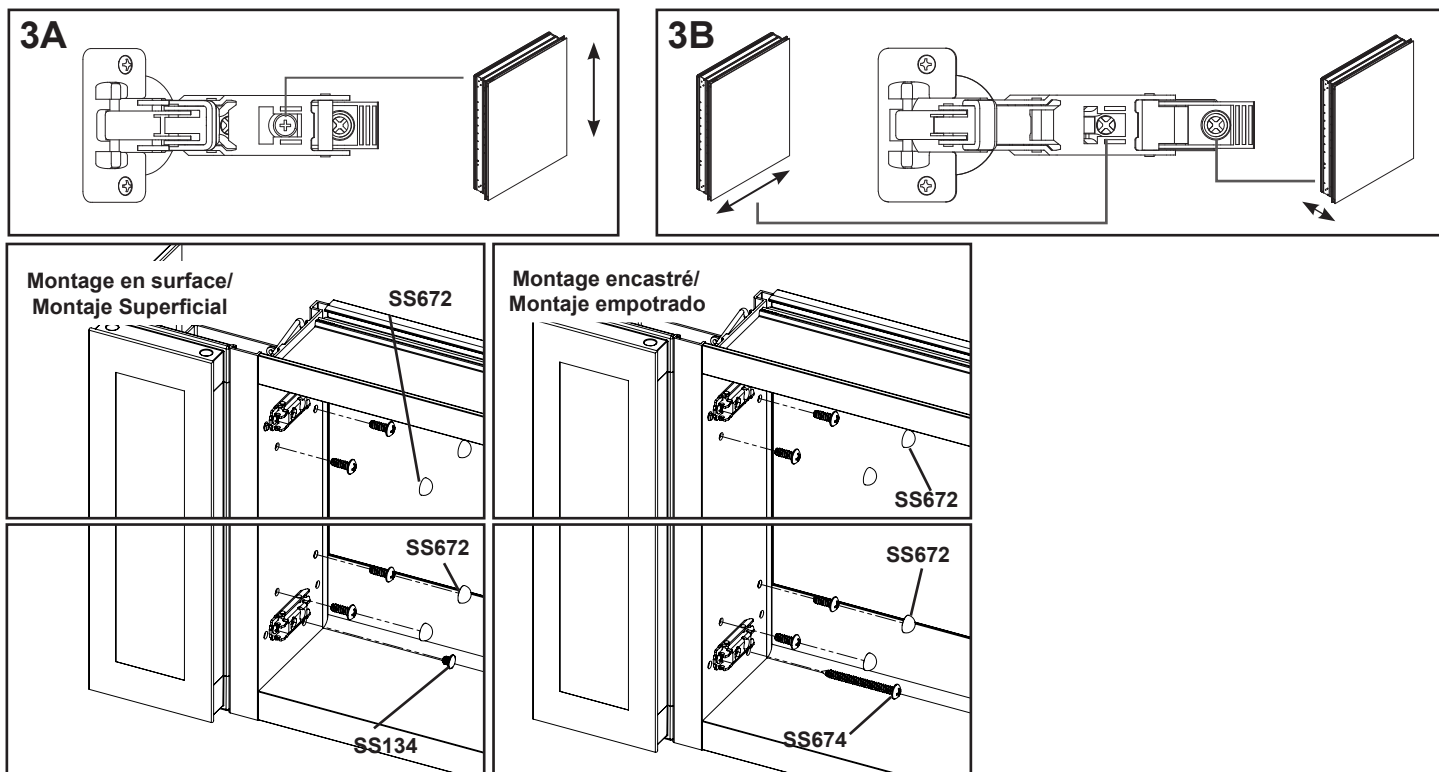
3. Ajuste las puertas del gabinete hasta que se alineen con las luces usando las funciones de ajuste de tres vías en las bisagras, ajustadas con un destornillador Phillips #2.

3A. Altura: con la bisagra ligeramente cerrada, puede acceder al tornillo central. Este tornillo moverá su puerta hacia arriba y hacia abajo.

3B. De lado a lado / Profundidad: con la bisagra completamente extendida, puede acceder a los tornillos frontal y posterior. El tornillo delantero ajustará la puerta de lado a lado y el tornillo trasero ajustará la profundidad de la puerta.

4. Presione una tapa de tornillo #10 [SS672], provista con cada luz, en todas las cabezas de tornillo expuestas.

5. Presione un tapón de orificio [SS134], incluido con el hardware de su gabinete, en todos los orificios de montaje abiertos.



UTILISATION ET ENTRETIEN

ATTENTION - RISQUE DE CHOC

Risque de blessures; déconnecter l'alimentation électrique avant de procéder à un entretien.

Utilisez uniquement un chiffon humide pour nettoyer. Les nettoyeurs à base d'ammoniac ou de vinaigre peuvent endommager la finition.

Une solution 50/50 d'eau et d'alcool isopropylique est recommandée pour nettoyer le luminaire.

Lors du nettoyage, vaporisez le chiffon et non le luminaire ou les surfaces environnantes. N'utilisez pas de nettoyeurs abrasifs sur aucune partie du luminaire.



GARANTIE

Garantie limitée d'un an

La société Robern garantit à l'acquéreur original qu'elle réparera, remplacera ou ajustera de manière appropriée, à son gré, les produits qu'elle fabrique et faisant preuve de défauts significatifs en matériaux ou en qualité de fabrication qui sont signalés à Robern par écrit dans un délai d'un (1) an suivant la date de livraison. Robern n'est pas responsable des frais d'installation. La garantie est annulée si le produit est endommagé en transit, ou si les dommages ou la défaillance sont le résultat d'une utilisation abusive ou inadéquate, d'un usage anormal, ou d'une installation défectueuse, de dommages survenus lors d'un accident, d'un entretien inapproprié, ou de toute réparation effectuée par des personnes non autorisées par Robern. Lors de l'expiration de la période de garantie d'un an, Robern n'assumera aucune obligation ultérieure sous les termes d'une garantie quelconque, expresse ou implicite, y compris la garantie tacite de qualité marchande. La société Robern ne pourra être tenue responsable pour des dommages indirects découlant de l'utilisation ou associés à l'utilisation ou à la performance de ses produits. Certains états ne permettent pas de limites sur la durée de la garantie tacite, ni l'exclusion ou la limite des dommages particuliers, accessoires ou indirects, et, par conséquent, lesdites limites ou exclusions précitées peuvent ne pas s'appliquer à votre cas. Toute responsabilité assumée par Robern sous une garantie implicite quelconque, y compris la garantie de qualité marchande, est limitée de manière expresse aux conditions de la présente garantie. La permission de renvoyer de la marchandise sous les termes de cette garantie doit être autorisée par Robern et les frais de renvoi doivent être prépayés par l'acquéreur. Les réclamations effectuées sous cette garantie doivent être envoyées directement à votre concessionnaire.

©2022 Robern, Inc.
Tous droits réservés

USO Y MANTENIMIENTO

PRECAUCIÓN - RIESGO DE SACUDIDA ELÉCTRICA

Riesgo de lesiones personales; desconecte el suministro eléctrico antes de dar servicio.

Use solo un paño húmedo para limpiar. Los limpiadores a base de amoníaco o vinagre pueden dañar el acabado.

Se recomienda una solución 50/50 de agua y alcohol isopropílico para limpiar la lámpara.

Al limpiar, rocíe el paño, no la lámpara o las superficies circundantes. No use limpiadores abrasivos en ninguna parte de la lámpara.

GARANTÍA

Garantía limitada de un año

Robern garantiza al comprador original que, a su elección reparará, reemplazará, o hará los ajustes apropiados a los productos fabricados por esta compañía que se demuestre que tienen defectos significativos en material o mano de obra y que se reporten a Robern por escrito en menos de un (1) año a partir de la fecha de entrega. Robern no se hace responsable de los costos de instalación. La garantía se anula si el producto sufre daños durante el transporte, o si los daños o las fallas se deben a abuso, uso indebido, uso anormal, instalación defectuosa, daños en un accidente, mantenimiento inadecuado, o reparaciones distintas a las autorizadas por Robern. Al finalizar el año de garantía, Robern no quedará bajo ninguna obligación adicional bajo ninguna garantía, expresa o implícita, incluida la garantía implícita de comercialización. Robern no será responsable de daños emergentes que surjan del uso o del desempeño de sus productos, o en relación con ellos. Algunos estados no permiten limitaciones en cuanto a la duración de una garantía implícita o no permiten la exclusión o la limitación de daños incidentales o indirectos, por lo que es posible que estas limitaciones y exclusiones no se apliquen a su caso. Cualquier responsabilidad contra Robern bajo cualquier garantía implícita, incluida la garantía de comercialización, se limita expresamente a los términos de esta garantía. Robern debe autorizar el permiso de devolución de cualquier mercancía bajo esta garantía, y esta mercancía debe ser devuelta con porte pagado por el comprador. Las reclamaciones bajo esta garantía deben ser enviadas directamente a su distribuidor.

©2022 Robern, Inc.
Todos los derechos reservados