

**INLINE 2.0 SCONCE  
MLC361KSS3DK Specification Sheet**

**FEATURES**

- Designed for easy, installation as a standalone vertical sconce.
- Glass lens plane is flush with cabinet door.
- Warm white 3000K light
- Energy efficient LEDs.
- Dimmable LED using a standard residential dimmer that works with your home’s existing wiring.
- Will operate in high humidity or damp spaces.
- Electrical enclosure is hidden in wall behind product.

Color Temperature	3000K
CRI	90+
R9 Value	80+
Delivered Lumens	671
Source Lumens	1521

**MATERIALS & CONSTRUCTION**

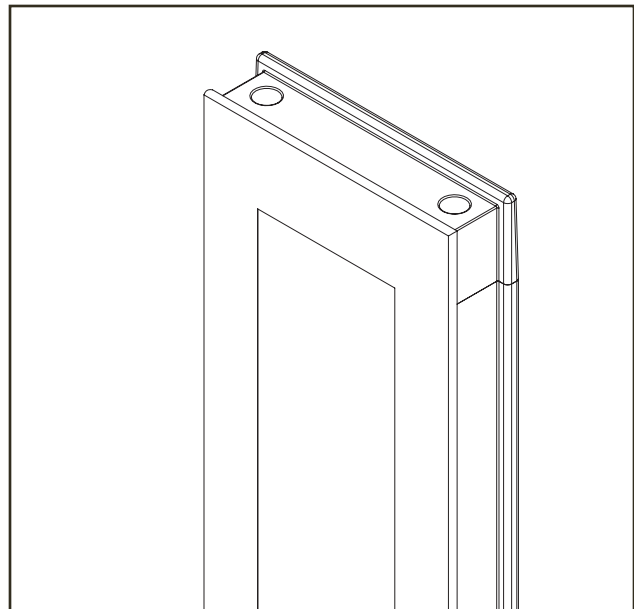
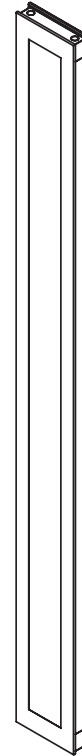
- Rust-free, aluminum and glass construction.
- Satin Anodized back frame.
- Front frosted mirror glass lens.
- Wired internally- Front access serviceability.
- Internal light diffuser evenly distributes light.

**CODES & STANDARDS**

- ETL certified (damp locations) to:
  - UL 8750
  - CSA C22.2 No. 250.13
- TITLE 24 certified

**DIMENSIONS**

Width: 3-1/2" (89mm)  
 Height: 36" (914mm)  
 Depth: 1-1/4" (32mm) when recessed  
 Net Weight: 5lbs



## MODEL NUMBER KEY

Product Line	Category	Dimensions	Body Type	Lamp Type	Qty.	Body Finish	Control Type	Option
ML =Inline 2.0 Light	C36 = 3-1/2" (89mm) X 36" (914mm)	I = Inline 2.0	K = T24 LED	S = Single	S = Satin Anodized	3D = Dimmable , Dimming to 5%, Warm White 3000K	K = Sconce	

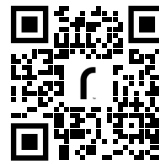
## INSTALLATION

- Sold as individual unit.
- Inline Lighting includes hardware for one sconce.

## ELECTRICAL SYSTEM

- Operates on 120VAC 102.6W 60Hz per fixture.
- Requires switch or dimmer (sold separately).
- ETL (US and Canada) listed for damp locations.
- Recommended field wire locations as shown in drawing.

## MORE INFORMATION



Scan the QR code to see the rough opening and electrical details found in the Inline 2.0 Light installation instructions.

Use the camera app on your mobile device to look at this QR code. This will allow you to quickly access web pages and other relevant documents.

