

**INLINE 2.0 SCONCE
MLC30IKSSVCK Specification Sheet**

FEATURES

- Designed for easy, installation as a standalone vertical sconce.
- Glass lens plane is flush with cabinet door.
- Lighting can range from warm, relaxing tones (2700K) to bright and energizing (5600K) or anything in between.
- Energy efficient LEDs.
- Requires the SWAY? Wall Control (sold separately).
- Will operate in high humidity or damp spaces.
- Electrical enclosure is hidden in wall behind product.

Color Temperature	2700-5600K
CRI	90+
R9 Value	60-80+
Delivered Lumens	570-740
Source Lumens	1260-1494

MATERIALS & CONSTRUCTION

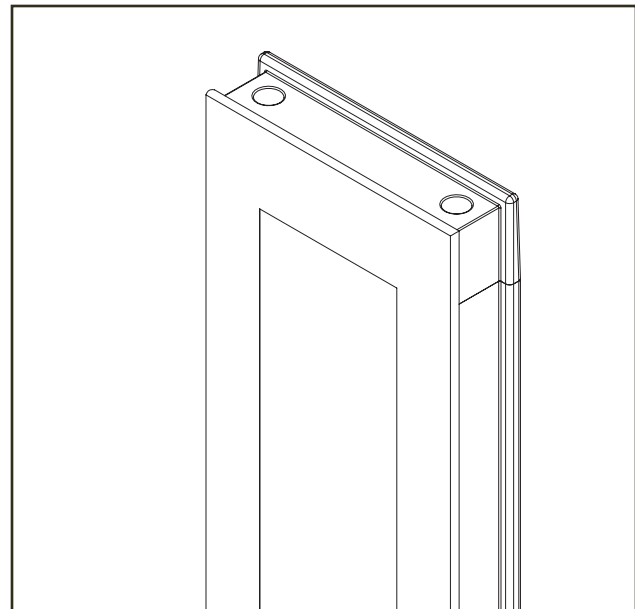
- Rust-free, aluminum and glass construction.
- Front frost mirror glass lens & satin anodized back frame.
- 6' Cat. 5 cable included for connection to SWAY? control or additional Inline lights.
- Wired internally- Front access serviceability.
- Internal light diffuser evenly distributes light.

CODES & STANDARDS

- ETL certified (damp locations) to:
 - UL 8750
 - CSA C22.2 No. 250.13
- TITLE 24 certified

DIMENSIONS

Width: 3-1/2" (89mm)
 Height: 30" (762mm)
 Depth: 1-1/4" (32mm) when recessed
 Net Weight: 5lbs



MODEL NUMBER KEY

Product Line	Category	Dimensions	Body Type	Lamp Type	Qty.	Body Finish	Control Type	Option
ML = Inline 2.0 Light	C30 = 3-1/2" (89mm) X 30" (762mm)	I = Inline 2.0	K = T24 LED	S = Single	S = Satin Anodized	VC = Tunable: Dimming to 5%, Color Temperature Tuning (2700K-5600K)	K = Sconce	

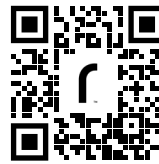
INSTALLATION

- Sold as individual unit.
- Inline Lighting includes hardware for one sconce.

ELECTRICAL SYSTEM

- Operates on 120VAC 60Hz per fixture.
- Requires SWAY? Control (sold separately).
- ETL (US and Canada) listed for damp locations.
- Recommended field wire and cat. 5 locations as shown in

MORE INFORMATION



Scan the QR code to see the rough opening and electrical details found in the Inline 2.0 Light installation instructions.

Use the camera app on your mobile device to look at this QR code. This will allow you to quickly access web pages and other relevant documents.

