

**TENOR™ LIGHTING WITH SWAY™
JLA36RKSCVC Specification Sheet**

FEATURES

- Luxury decorative light design.
- Designed for easy, modular installation to M Series, M Series Reserve™, PL Series, and PL PORTRAY™ cabinets.
- Lighting can range from warm, relaxing tones (2700K) to bright and energizing (5600K) or anything in between.
- Energy efficient LEDs.
- Requires the SWAY™ Wall Control (sold separately).
- Will operate in high humidity or damp spaces.
- Hinge stop required for door hinge swing greater than 110°

Color Temperature	2700-5600K
CRI	90+
R9 Value	60+
Delivered Lumens	630
Source Lumens	1842

MATERIALS & CONSTRUCTION

- Rust-free, aluminum and glass construction.
- Chrome plated back frame.
- Quality glass diffuser for consistent light output.
- Wired internally- Front access serviceability.
- Tenor Lights available with Chrome, Polished Nickel, Matte Black, and Brass finished end caps.

CODES & STANDARDS

- ETL certified (damp locations) to:
 - UL 8750
 - CSA C22.2 No. 250.13
- TITLE 24 certified

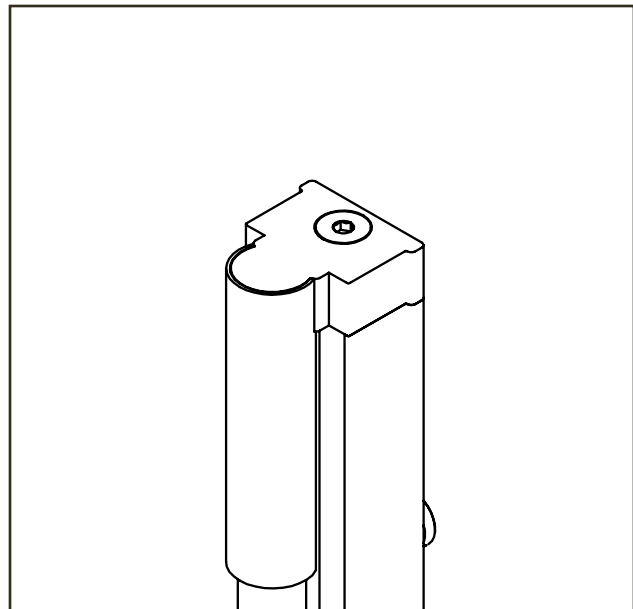
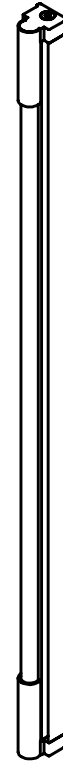
OPTIONS

Works with available cabinet mounting kits:

- Ganging kit
- Surface mount kit
- Semi-recess mount kit

DIMENSIONS

Width: 1-3/8" (35mm)
 Height: 36" (914mm)
 Recess Mounted Depth: 1.75" (44mm) when recessed
 Surface Mounted Depth: 5.50" (140mm) when surface mounted
 Net Weight: 5lbs



MODEL NUMBER KEY

Product Line		Body		Lamp	Control				
Category	Width	Height	Type	Type	Qty.	Body Finish	CCT	Type	Endcap Finish
JL = Tenor Light	A = 1-3/8" (35mm)	36 = 36" (914mm)	R = Round	K = T24 LED	S = Single	C = Chrome	V = Tunable	C = SWAY™ Wall Control	76 = Chrome 77 = Polished Nickel 83 = Matte Black 86 = Brass

INSTALLATION

- Sold as individual unit.
- Fixture adds 1-3/8" per light (2-3/4" pair) to the overall rough-in width.
- Tenor Lighting includes hardware to mount to cabinet.
- 6' Cat. 5 cable included for connection to SWAY™ control or additional TENOR™ lights.
- Ganging kit is required when ganging more than one cabinet. Can be surface mounted with 4" depth (D4) and 6" depth (D6) cabinets (D4 and D6 surface mount kits required). Can be semi-recessed with 6" depth (D6) cabinets (D6 semi-recessed kit required). Can also be fully recessed with 4" depth (D4) and 6" depth (D6) cabinets.

ELECTRICAL SYSTEM

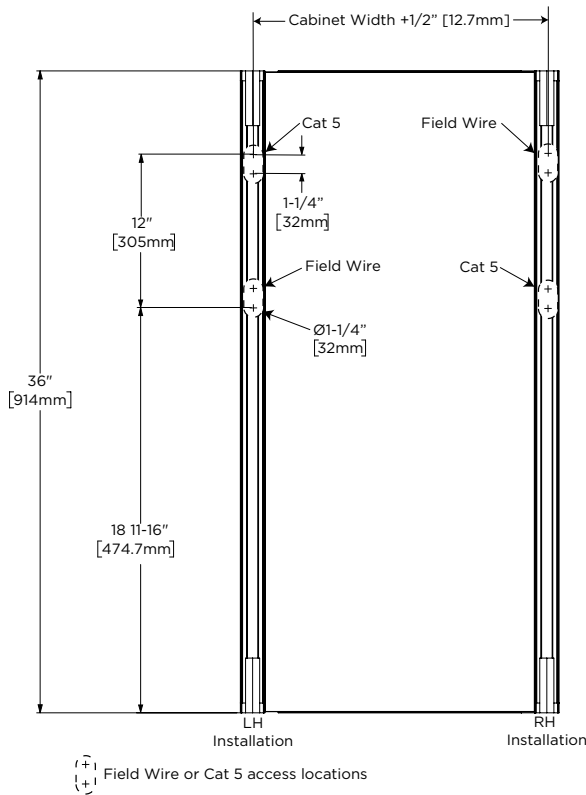
- Operates on 120VAC 68.4W 60Hz per fixture.
- Requires SWAY™ Control (sold separately).
- ETL (US and Canada) listed for damp locations.
- Recommended field wire and cat. 5 locations as shown in drawing.

MORE INFORMATION

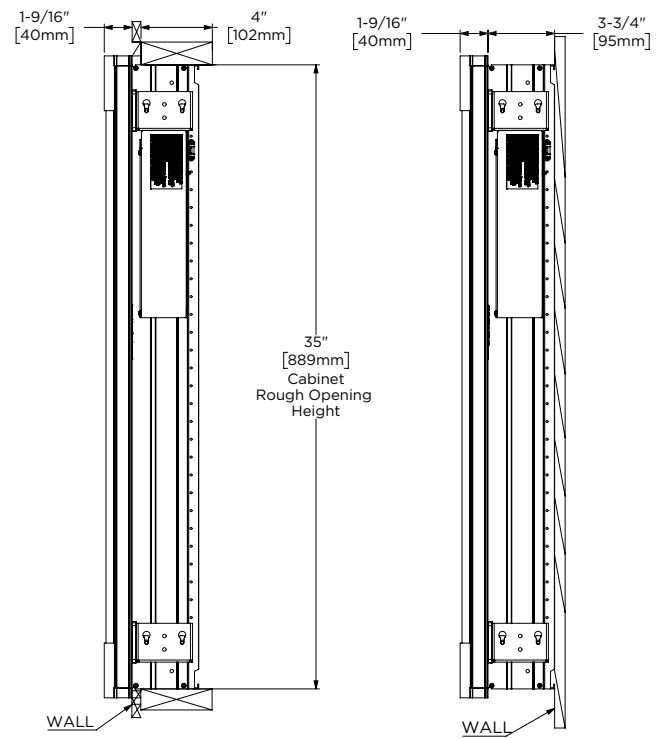


Scan the QR code to see the rough opening and electrical details found in the Tenor with Sway Light installation instructions.

Use the camera app on your mobile device to look at this QR code. This will allow you to quickly access web pages and other relevant documents.



FRONT VIEW



RECESSED MOUNT

SURFACE MOUNT