

Features

- Rounded vanity frame with decorative parting line details
- Carved, integrated drawer pulls
- Top drawer is false front
- Bottom drawer is a plumbing drawer
- Minimalist floating installation
- Removable glass drawer dividers included

Materials & Construction

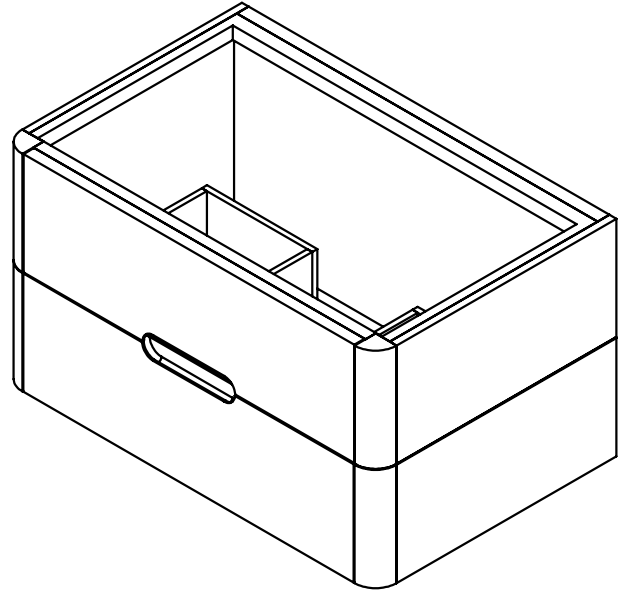
- Solid wood and veneer construction
- Full plywood back panel, no cutout
- Dovetailed drawers
- Blum undermount full extension slow close slides
- Durable, moisture resistant polyurethane finish
- Solid steel mounting brackets

Options

- Available in:
 CVHE36204, Rustic Oak
- Engineered stone tops available:
 TA36UCO93-8CS6
 TA36UCO95-8CS6
 TA36UCO96-8CS6
 TA36UCO97-8CS6
 TA36UCO98-8CS6
 TA36UCO99-8CS6
 TA36UCO100-8CS6
 TA36UCO101-8CS6
- Coordinating mirrors available

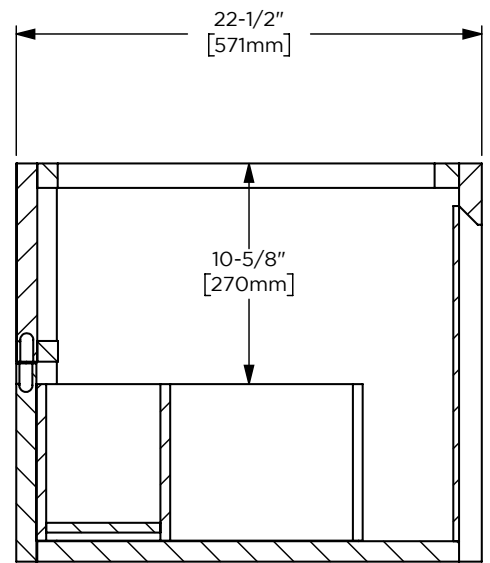
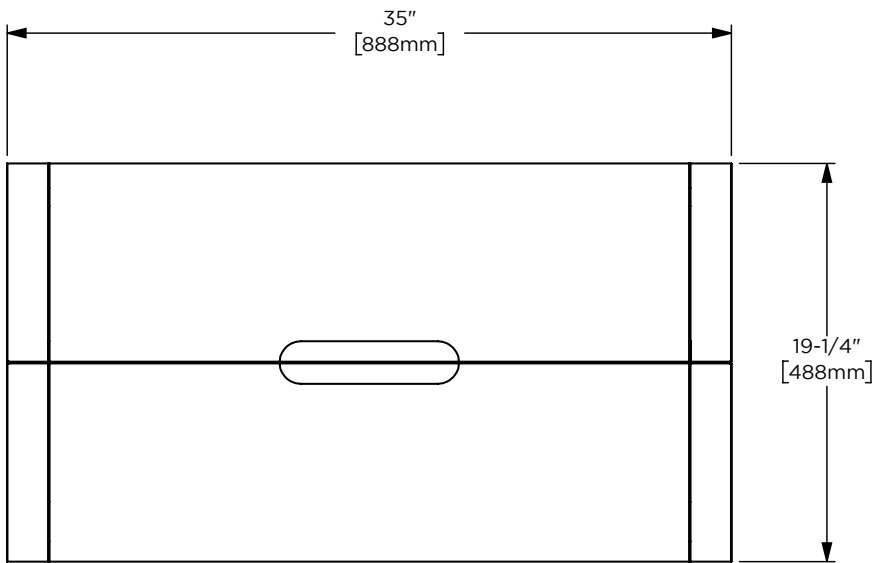
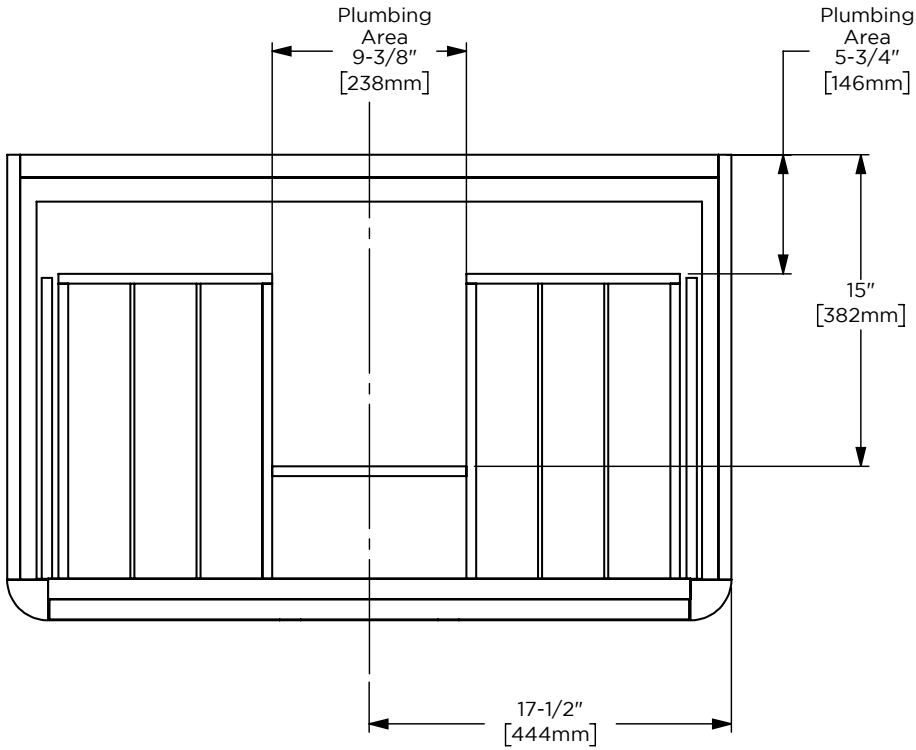
Dimensions

Width: 35"
 Height: 19-1/4"
 Depth: 22-1/2"



Model Number Key

PRODUCT LINE	CATEGORY	COLLECTION	WIDTH	FINISH OPTIONS	OPTIONS
C = Craft Series	V = Vanity	HE = Helden	36"	(See above)	(See above)



Internal
Construction