

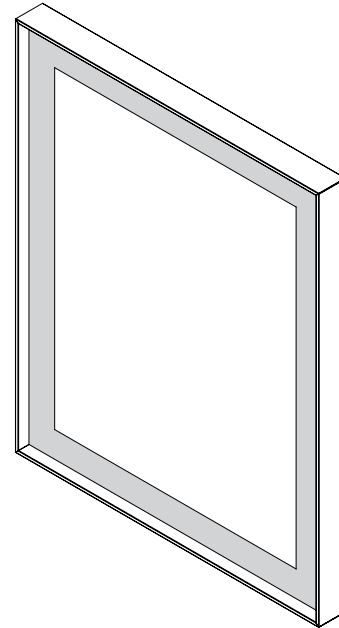
**Features**

- **Slim Museum Frame:** for a shadow box effect and to complement a modern aesthetic, the sleek profile creates a minimalist look
- Match fixtures with metal frame finishes: Matte Gold, Matte Black, Chrome, and Polished Nickel
- Defogging technology ensures a clear reflection using a standard wall switch
- Dimmable LED task lighting to 1%
- Energy efficient LEDs with an estimated life of 53,000 hours
- LED lighting: (measurements may vary)

Kelvin	3000**
CRI	90+
Lumens (Approx)	1270
R9 Value	50+
Lux* (Approx)	490
Foot-candles* (Approx)	45

\* Measured at 18" from center of the mirror

\*\* Starting in Fall 2021, Vitality Lighted Mirrors are being enhanced to 3000K CCT from 2700K CCT. Orders will be fulfilled with 3000K based on existing inventory.



**Construction**

- Durable rust-free anodized aluminum and glass construction
- Plated chrome and polished nickel finishes, and anodized matte gold and matte black finish options are easy to maintain and won't chip, peel, or fade
- Constructed to operate in high humidity or damp spaces
- Quality polished edge mirror
- Salt Spray Tested - ASTM Standard
- Power cords installed for easy plugin installation
- Constructed for surface mounting

**Codes/Standards Applicable**

Sculpt Mirror is UL certified to:

- UL 962
- CSA-C22.2, No. 250.4

**Dimensions**

Height: 31-1/4" (794 mm)  
 Width: 25-1/4" (641 mm)  
 Depth: 2-1/4" (57 mm)  
 Net Weight: 28 - 40 lbs  
 Other sizes available

**Model Number Key**

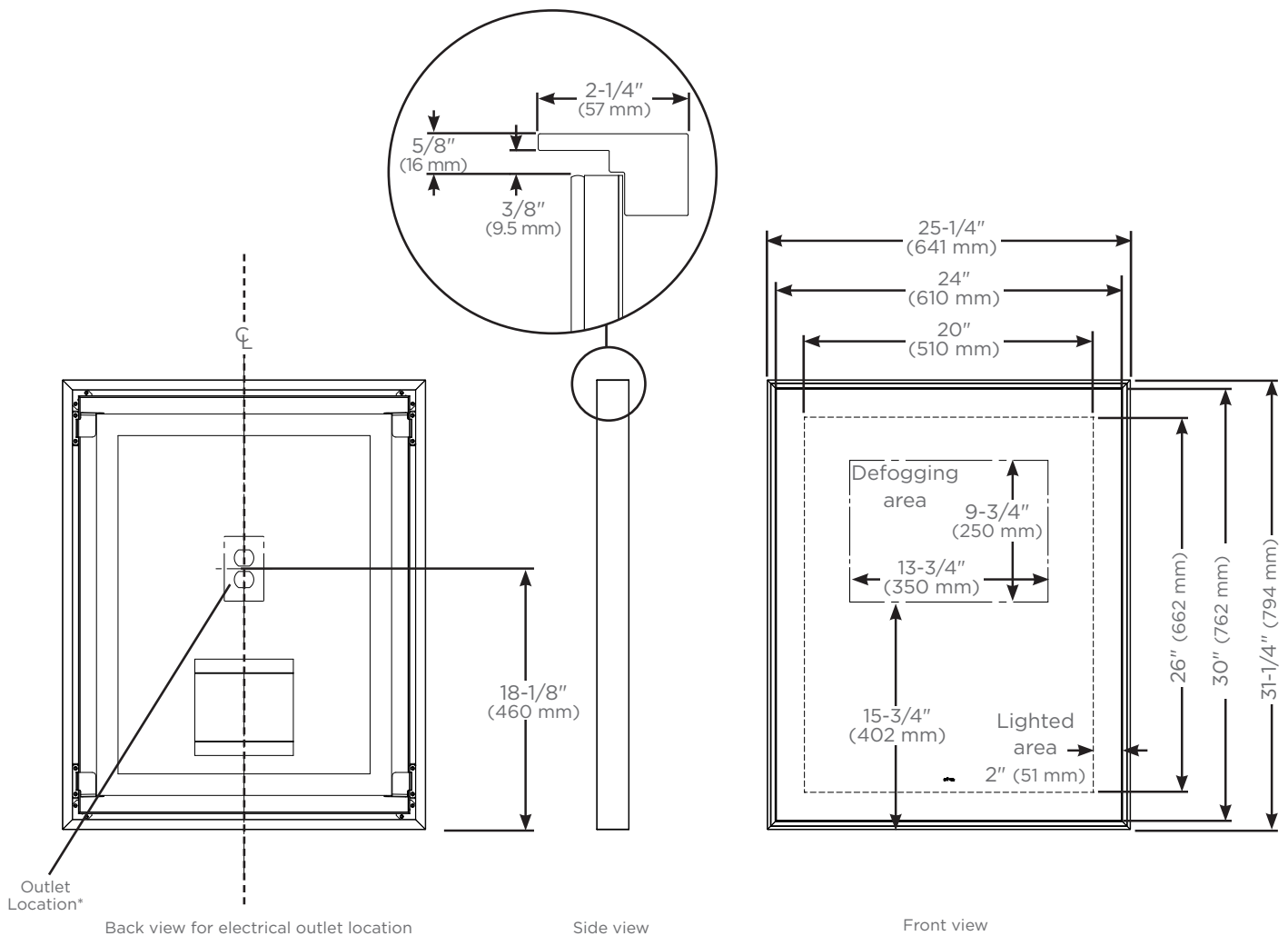
Mirror	Width	Height	Shape	Light Pattern	Style	Defogger	Color Temp	Options
YM	25	31	R = Rectangle	P = Perimeter	SM = Slim Museum	D = Defogger	3 = 3000 Kelvin	76 = Chrome 77 = Polished Nickel 82 = Matte Gold 83 = Matte Black

## Installation

- 120 Vac 60Hz wall outlet location as shown in drawing - Required for source power
- Electrical wiring using standard residential dimmers and switches (not included)
- Compatible with most Triac/Phase-cut dimmers
- Dimmer recommendation: Lutron C.L Dimmers or Caseta Wireless (purchased separately)
- Mirror hangs in portrait orientation
- Includes hardware with easy installation via Plug and Hang System

## Options

- Mirror Style: Title 24 Rectangle Perimeter
- Frame Styles: Slim Museum, Chamfer Museum
- Metal Frame Finishes: Chrome, Polished Nickel, Matte Gold, and Matte Black
- Custom versions available (minimum order quantity required)
- Commercial 0-10V wiring protocols are available for custom quote



\* See instructions 209-1308 for wiring and location

For additional information contact [customerservice@robern.com](mailto:customerservice@robern.com)