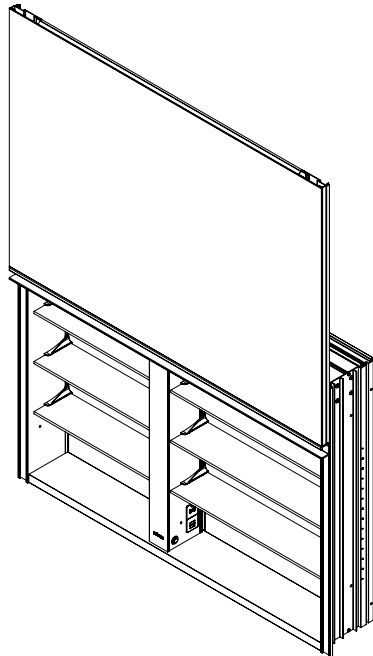
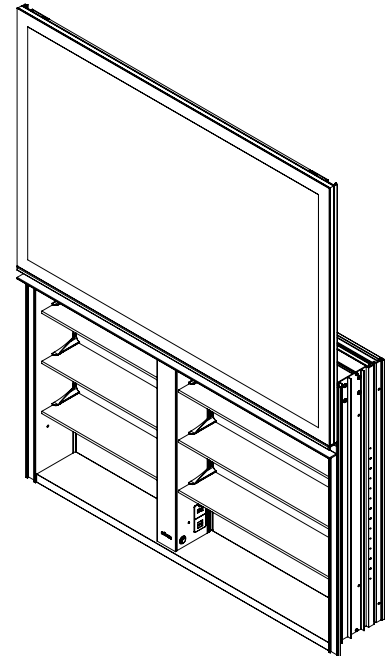


24" Uplift Tech



30", 36", 48" Uplift Tech



30", 36", 48" Uplift Tech
with Perimeter Lighting

CONTENTS

- Section 1 - Recess Mounting - **4**
- Section 2 - Electrical Connections for Electric Models - **5**
- Section 3 - Installation for Non-Electric Models - **7**
- Section 4 - Final Assembly - **8**
- Français / Español - **13**

GENERAL INFORMATION

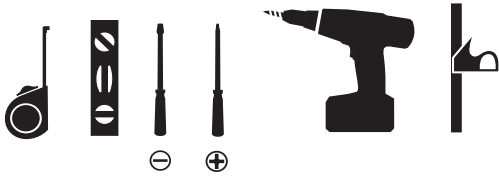
This instruction sheet contains information on how to install an Uplift cabinet in a recessed application. These cabinets are available in different sizes. Read the specific instruction for how your cabinet(s) will be mounted. The cabinets can be surface mounted, recess mounted and semi recess mounted. Electrical options may be provided with your cabinet(s).

Save these instructions for future use and reference. An improper installation voids the warranty. Carefully inspect the cabinet for damage prior to installation. Installed products cannot be returned.

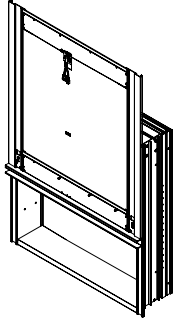
If you experience any problems with your cabinet, contact your dealer or Robern directly.

Limited Warranty — One Year Term

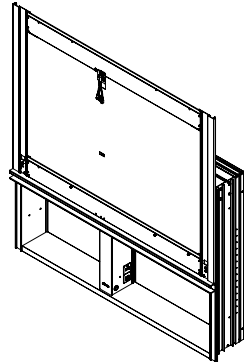
TOOLS NEEDED



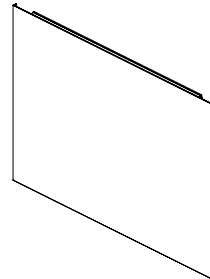
PARTS



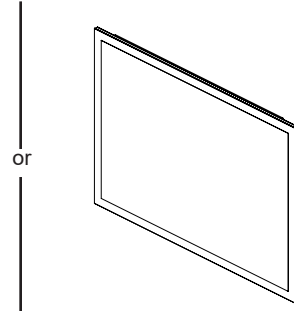
24" Cabinet



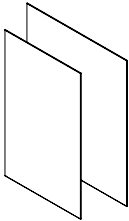
30", 36" or 48" Cabinet



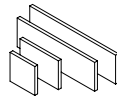
Front Mirror



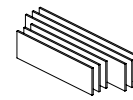
Front Mirror with Perimeter Lighting 30", 36", and 48" only



24" Cabinet, 1 Back Mirror
30", 36", 48" Cabinet, 2 Back Mirrors

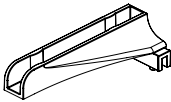


24" Cabinet, 1 Counterweight
30", 36", 48" Cabinet, 2-4 Counterweights



24" Cabinet, 3 Glass Shelves
30", 36", 48" Cabinet, 6 Glass Shelves

Hardware Bag



[211-1305]
24" Cabinet, 6 Clear Shelf Clips
30", 36", 48" Cabinet, 12 Clear Shelf Clips



[SS672]
(6) Screw Cap



[SS134]
(6) Hole plug



3/32 Allen Key



[SS674]
(6) Screw



[203-1514]
(6) Hex Screw

Depending on installation, not all parts will be used.

NOTES

Unpack the mirror. Check the box thoroughly for all hardware and loose parts. Carefully inspect the mirror for damage. All wiring should be done by a qualified licensed electrician.

⚠ WARNING: To reduce the risk of electrical shock, shut off power before wiring the cabinet.

⚠ CAUTION: Requires 120VAC 20Amp circuit.

⚠ CAUTION: This product must be connected to a grounded, metal permanent wiring system or an equipment-grounding conductor must be run with the circuit conductors and connected to the equipment grounding terminal or lead on the product.

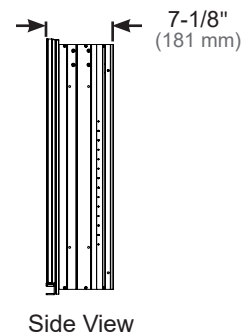
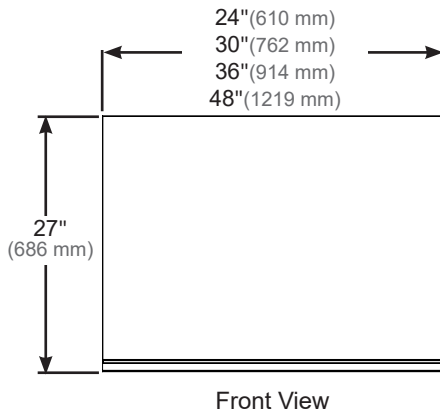
⚠ CAUTION: The cabinet must be wired to a GFI (Ground Fault Interrupter) circuit when used in bathrooms and all other locations required by the National Electric Code.

⚠ CAUTION: Maximum shelf load 26.5 LBS

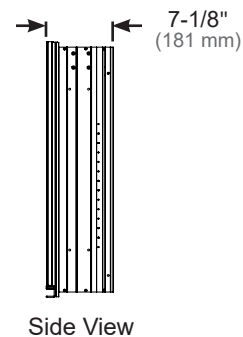
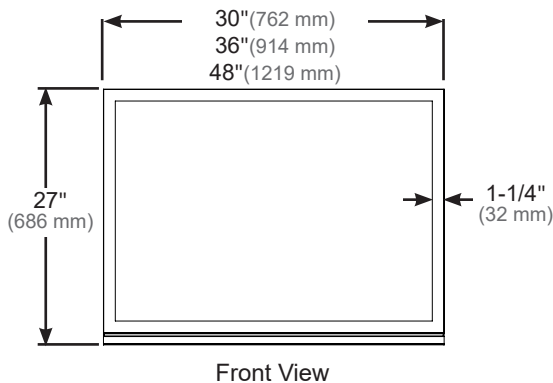
Accessories are available for the Uplift Cabinet. Please consult the accessory instruction guide for installation instructions.

DIMENSIONS

Uplift Tech



Uplift Tech with Perimeter Lighting



robern

© 2019 Robern, Inc. 701 N. Wilson Ave. Bristol, PA 19007 U.S.A.
800.877.2376 www.robern.com

Installation instructions

Part no. 209-1311-rB rev. 08/21/19
Uplift Tech Cabinet

SECTION 1 - RECESS MOUNTING

NOTE: The Semi-Recessed Mounting Kit (USMK27D6SR) allows you to semi-recess your cabinet, and supplies the semi-recessed side kit. (Purchased separately)

These instructions are for recess mounting your cabinet into a 6" (153 mm) deep opening, or semi-recessed mounting your cabinet into a 4" (102 mm) opening. Surface Mount instructions will come with the Surface Mount Kit - USMK27D6P

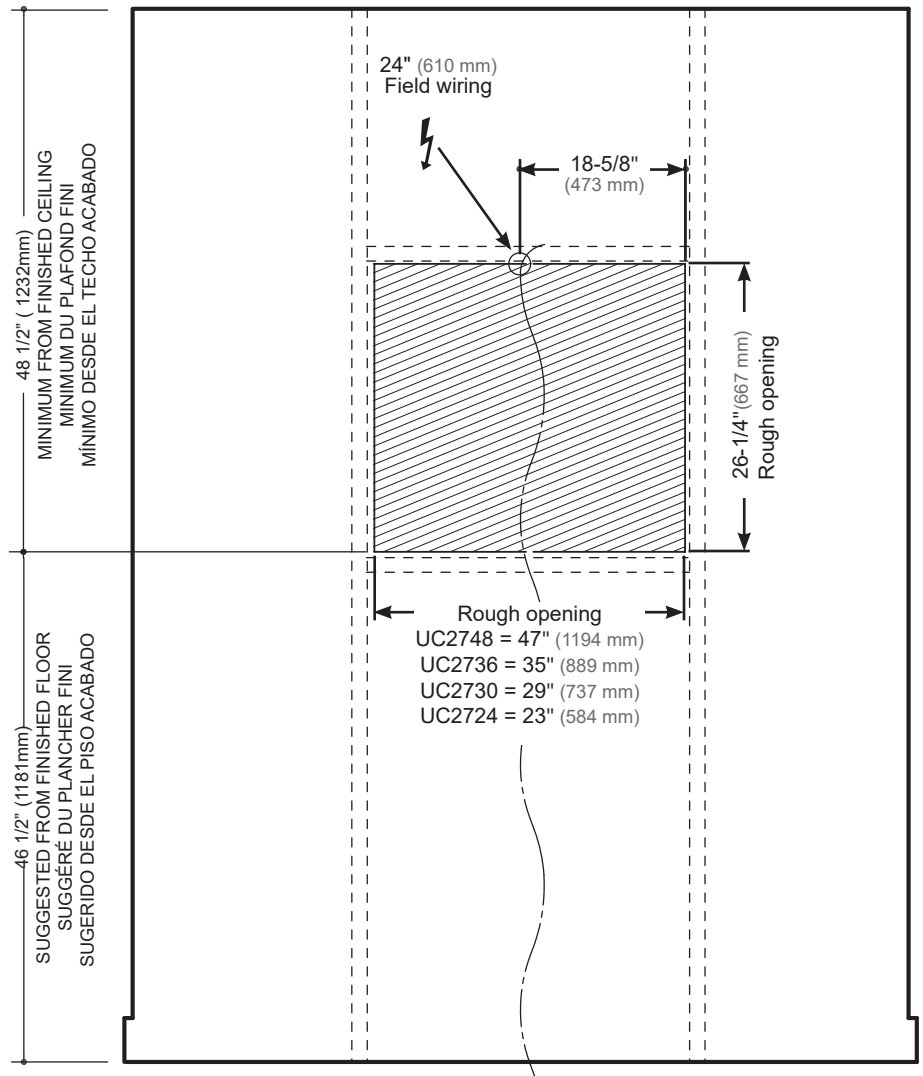
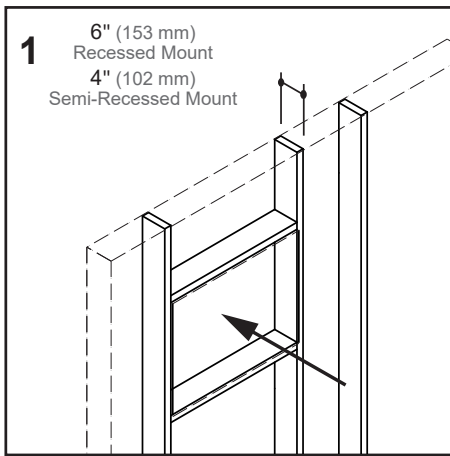
1. Make a rough opening and frame on all sides. Find the specific model dimensions in the diagram below to make the rough opening.

Determine if the cabinet is Electric or Non-Electric to proceed.

For cabinets with a lighted front mirror Robern recommends the Maestro® C•L® Dimmer from LUTRON®, Model # MACL-153M. <http://www.lutron.com/TechnicalDocumentLibrary/369613a.pdf>

Other LED control dimmers may operate with this product but have not been tested or verified. It's recommended that the dimmer be within reach of your mirror so you can adjust the brightness.

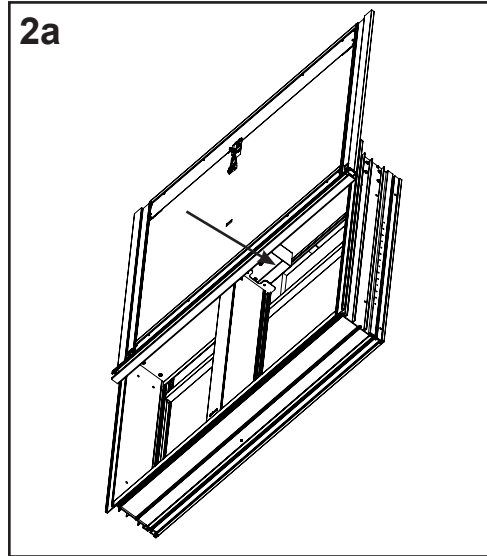
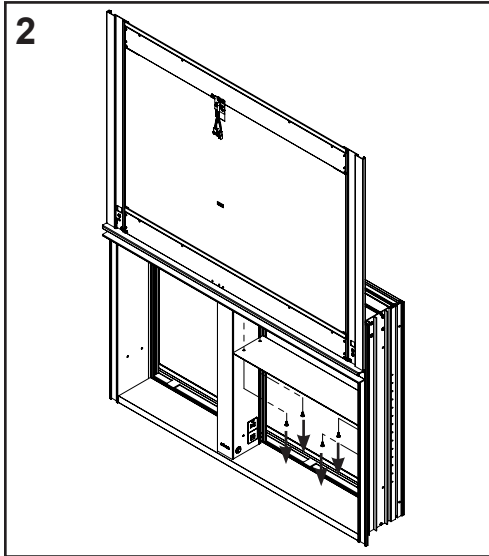
For on/off (no dimmer) operation a standard wall switch may be substituted in place of the dimmer.



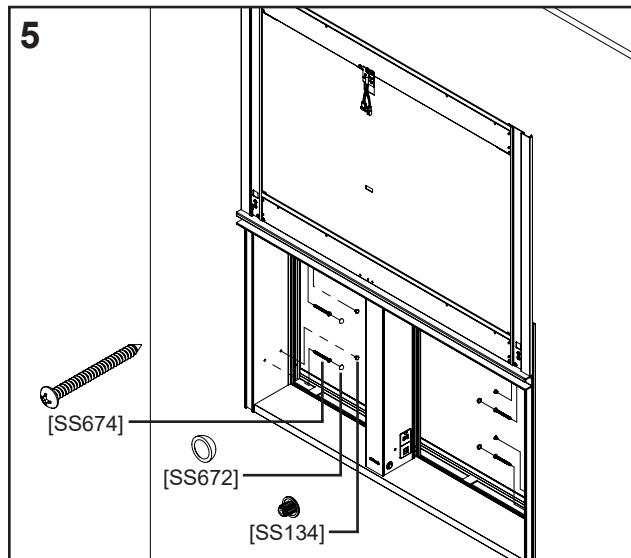
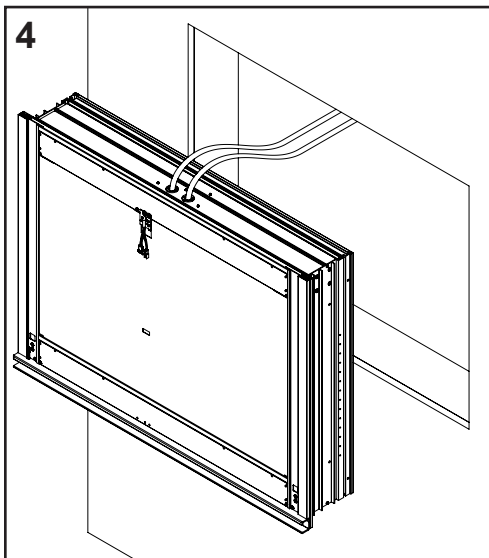
Part no. 209-1311-rB rev. 08/21/19
Uplift Tech Cabinet

SECTION 2 - ELECTRICAL CONNECTIONS FOR ELECTRIC MODELS

1. For electric models, E2 and E4, allow 24" (610 mm) of electric wire.
2. Using the supplied 3/32 Allen Key, remove the four screws to remove the right hand top ceiling panel inside the cabinet.
 - 2a. This will give access to the electrical connection box.
3. Pull field wiring through the top holes and leave them hanging out of the Electrical Connection Box.



4. Place cabinet in rough-in and make sure cabinet is plumb and level. If cabinet is not plumb, shim as required.
5. Install four screws (SS674) followed by the screw caps (SS672) as shown. Insert the hole plugs (SS134) into the remaining four holes.
6. There are three ways to connect Uplift Tech depending on your cabinet's electrical options. Make connections as required. These are detailed on the following page.
7. Go to Section 4 for Final Assembly.

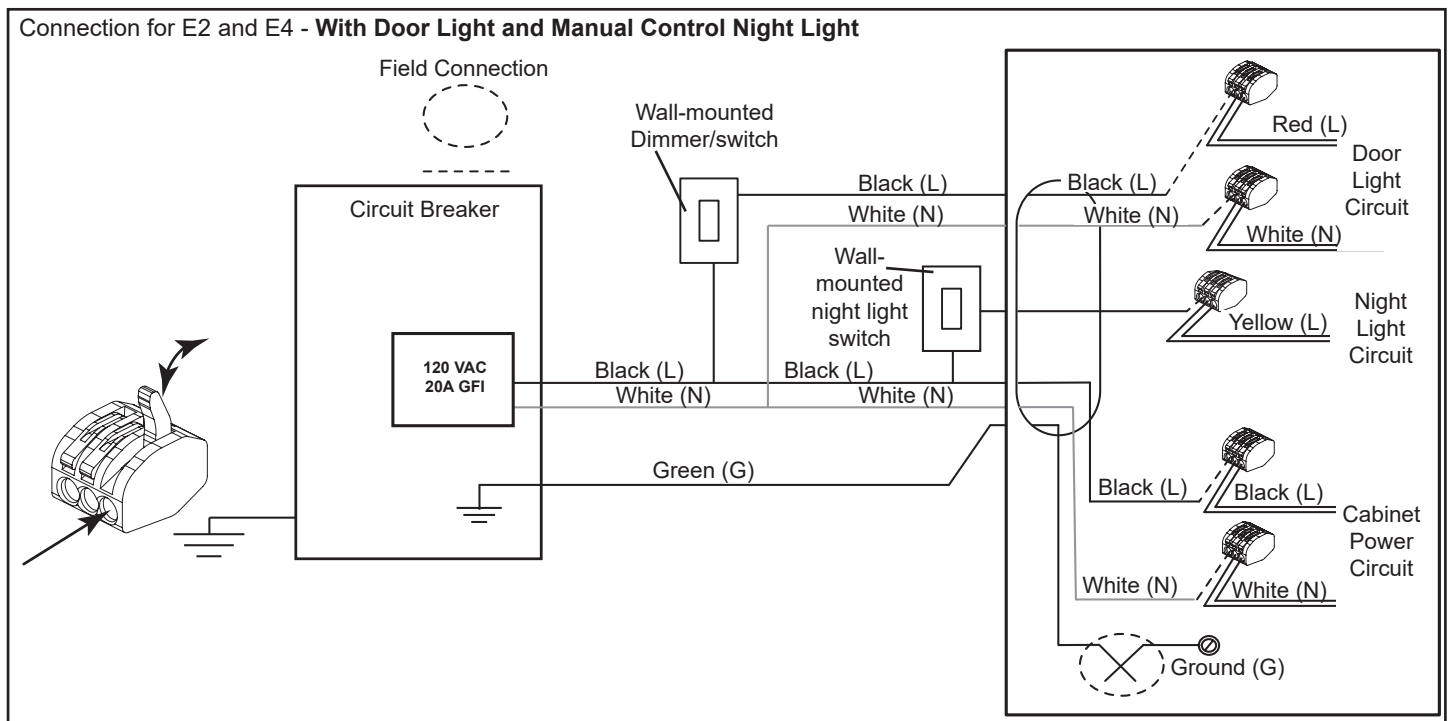
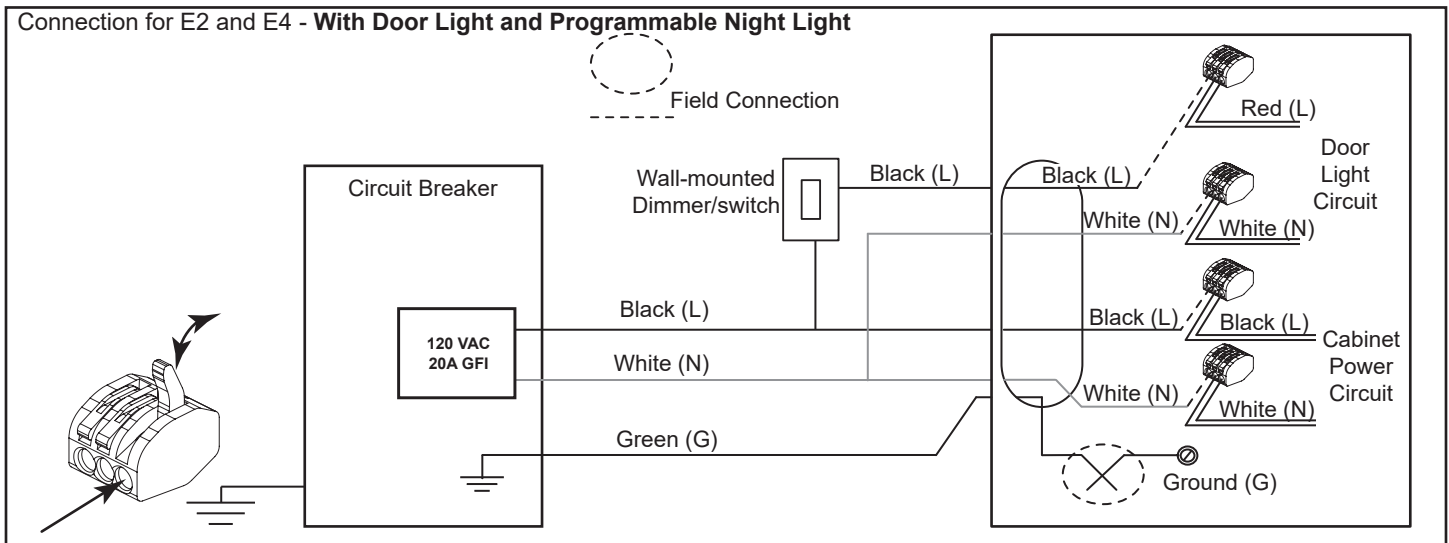
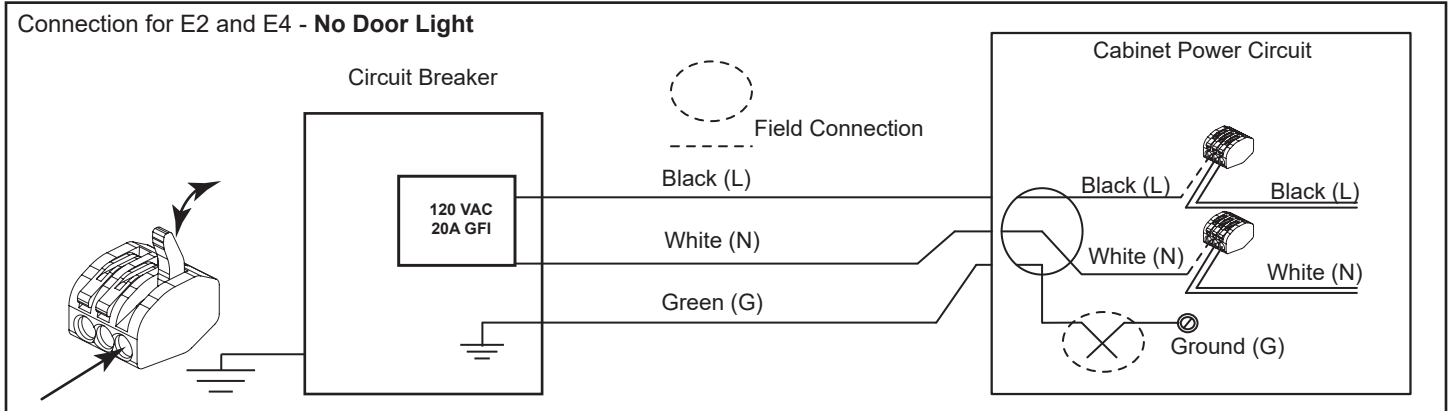


robern

© 2019 Robern, Inc. 701 N. Wilson Ave. Bristol, PA 19007 U.S.A.
800.877.2376 www.robern.com

Installation instructions

SECTION 2 - ELECTRICAL CONNECTIONS FOR ELECTRIC MODELS



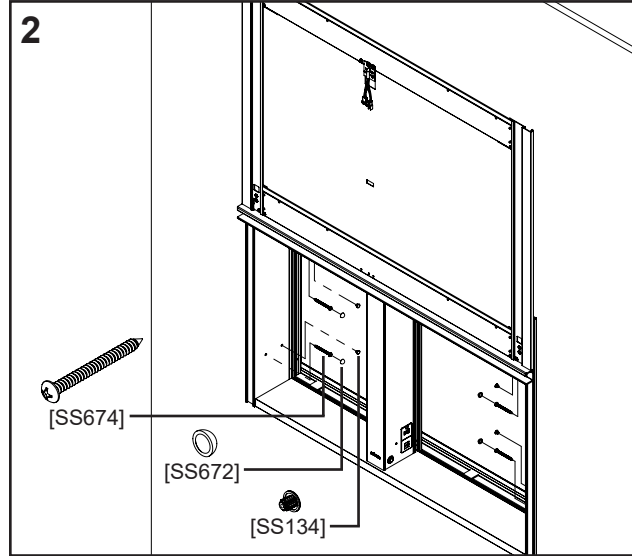
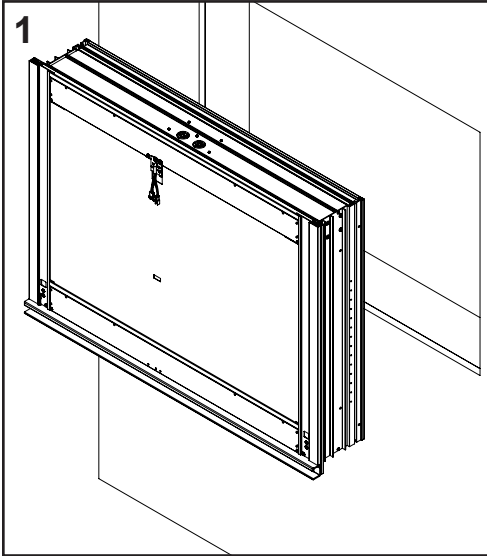
robern

Part no. 209-1311-rB rev. 08/21/19
Uplift Tech Cabinet

© 2019 Robern, Inc. 701 N. Wilson Ave. Bristol, PA 19007 U.S.A.
800.877.2376 www.robern.com

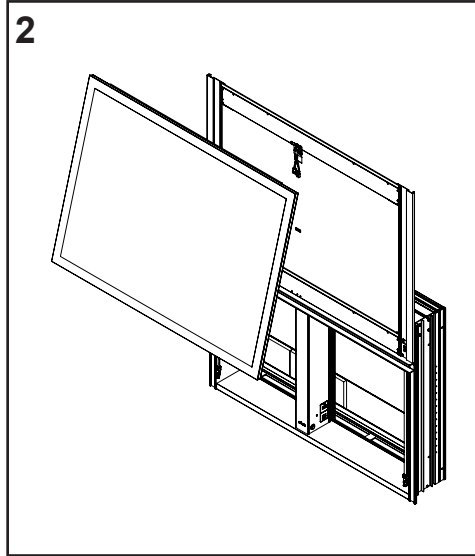
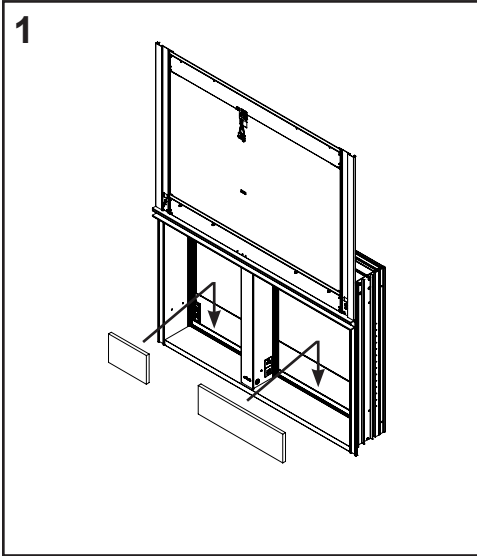
SECTION 3 - INSTALLATION FOR NON-ELECTRIC MODELS

1. Place cabinet in rough-in and make sure cabinet is plumb and level. If cabinet is not plumb, shim as required.
2. Install four screws (SS674) followed by the screw caps (SS672) as shown. Insert the hole plugs (SS134) into the remaining four holes.
3. Go to Section 4 for Final Assembly.

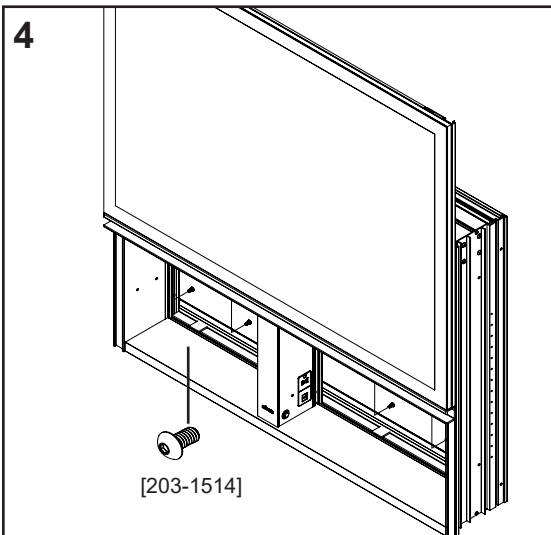


SECTION 4 - FINAL ASSEMBLY

1. Raise door frame and install the counterweight(s), supplied with your cabinet, into the counterweight tray (inside rear of cabinet). Door should remain open.
2. Carefully hang door mirror on door frame.



3. Make door electrical connections to door mirror (if equipped-depends on model).
4. Secure door mirror to door frame by installing 4 screws (203-1514) on the inside lower edge of door frame, using the supplied 3/32 Allen Key. Do not over tighten.



- 5a. Lower and raise door fully to check proper operation.
- 5b. Verify door can be opened partially and will stay open when released.

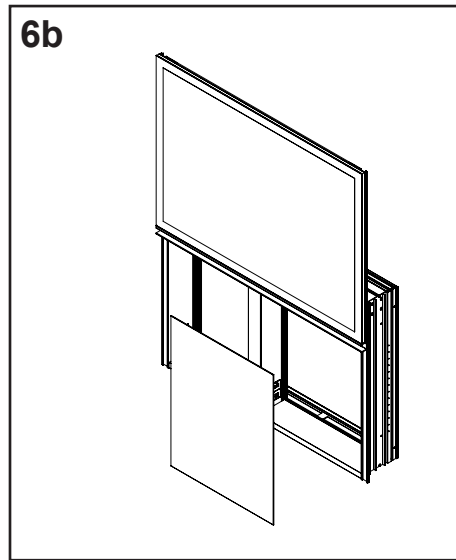
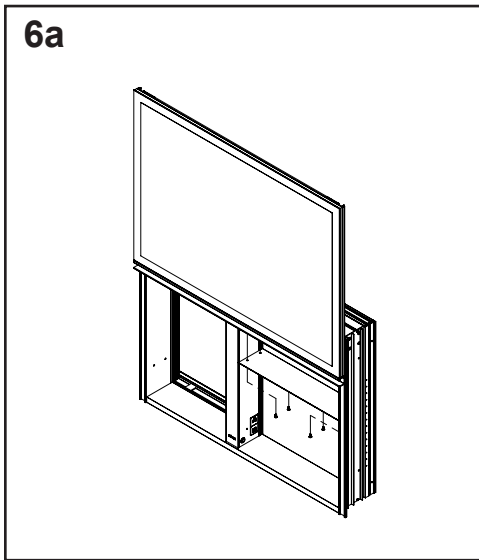
SECTION 4 - FINAL ASSEMBLY

6a. Install back mirrors in cabinet by removing 4 screws securing right hand ceiling, if not already removed from electrical wiring, and place aside. Screws can be removed with supplied 3/32 Allen key.

6b. Position right hand mirror into cabinet and reinstall ceiling. Ceiling should be oriented with flange toward back of cabinet and bent down.

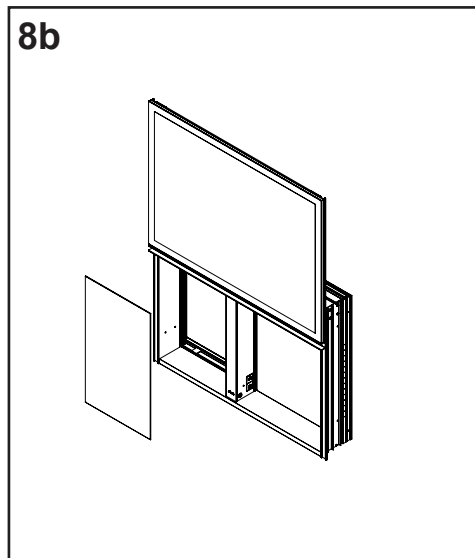
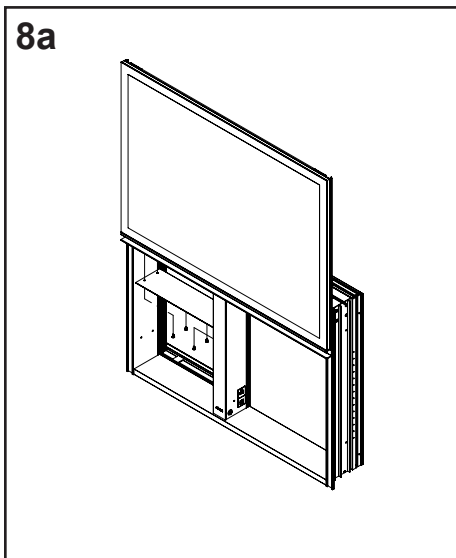
7. Apply electrical power to cabinet and check all functions.

Note: for 24" cabinets, skip to step 9.



8a. Remove 4 screws securing left hand ceiling, and place aside.

8b. Position left hand mirror into cabinet and reinstall ceiling.



robern

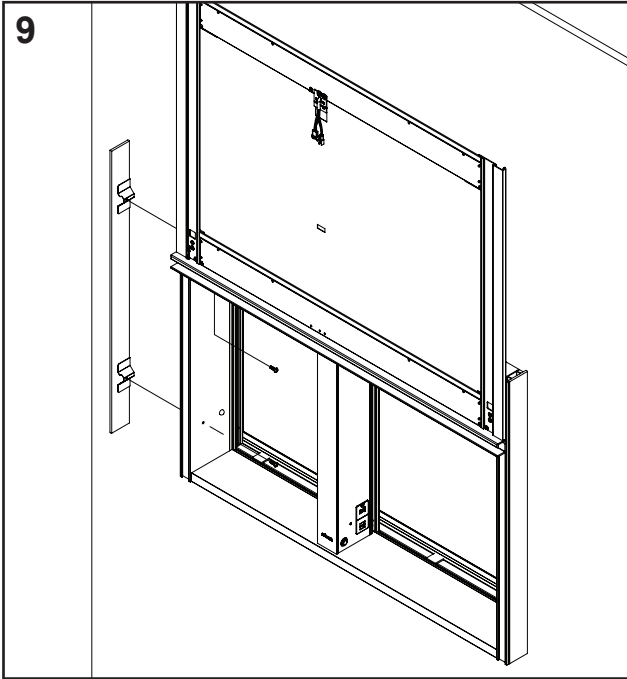
© 2019 Robern, Inc. 701 N. Wilson Ave. Bristol, PA 19007 U.S.A.
800.877.2376 www.robern.com

Installation instructions

Part no. 209-1311-rB rev. 08/21/19
Uplift Tech Cabinet

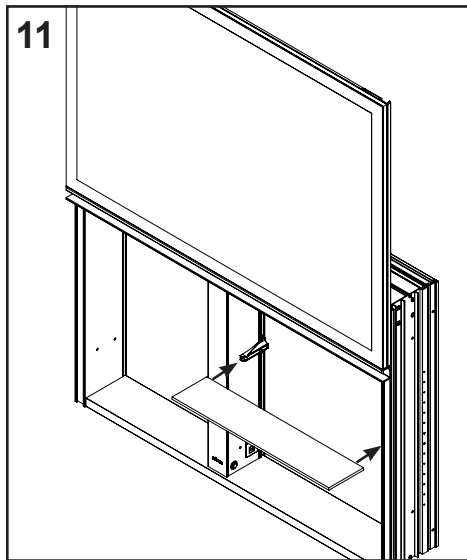
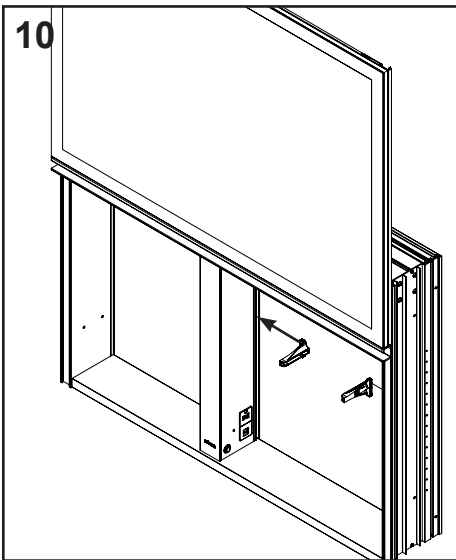
SECTION 4 - FINAL ASSEMBLY

9. Optional Semi-Recessed Side Kits (**USMK27D6SR**) With the cabinet properly installed, slide the cabinet door up to the open position. Attach the side kits using the two screws provided with the Semi-Recessed Kit. Cover screws with caps.



10. The height of the shelves can be adjusted in 1" (25mm) increments. Install shelf clips as shown in channels/holes in interior side of cabinet.

11. Install the shelves into the channel of the clear shelf clip by sliding shelf into clip from front.



robern

© 2019 Robern, Inc. 701 N. Wilson Ave. Bristol, PA 19007 U.S.A.
800.877.2376 www.robern.com

Installation instructions

USE AND MAINTENANCE

At initial power-up, you will notice the interior shelf & defogger flashing a test sequence.

PROGRAMMING THE NIGHT LIGHT

Night light operation using integrated timer

Press and hold the button for approximately 3 seconds. The night light (on door handle) will flash and stay on. The night light is now programmed and will remain on for the next 12 hours. The night light will turn itself back on 24 hours after it was programmed. This programming will remain until power is lost, or the programming is removed.

To remove the programming, press and hold the button for approximately 10 seconds. At 3 seconds, the night light will flash; continue to hold the button until the night light stays off. The programming is removed.

Night light On/Off

Pressing the button will turn the night light on/off. This will not affect your programming.

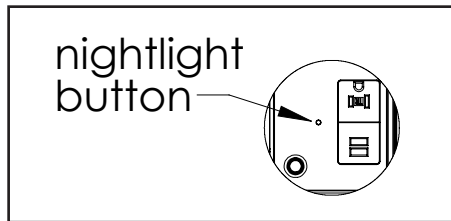
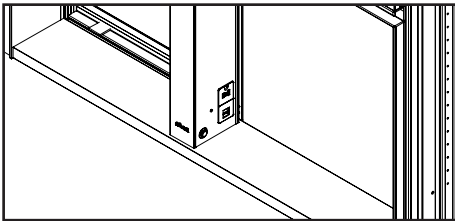
Optional Manual night light operation using external wall switch

A wall switch for the night light eliminates the need for the programming button. However, the button will still turn the night light on and off if the wall switch is in the "on" position. Programming will not be retained when night light is turned off using the external wall switch.

ACTIVATE THE MIRROR DEFOGGER

Press and release the mirror defogger button, and a red LED will illuminate. Your defogger is now on and will shut itself off after 45 minutes.

Press and release your mirror defogger button with the red LED illuminated to manually turn the defogger off.



CLEANING

Use only a damp cloth to clean. Ammonia or vinegar-based cleaners can damage mirrors.

A 50/50 solution of water and isopropyl alcohol is recommended for cleaning the mirrors.

When cleaning, spray the cloth, not the mirror or surround surfaces. Do not use abrasive cleansers on any part of the cabinet.



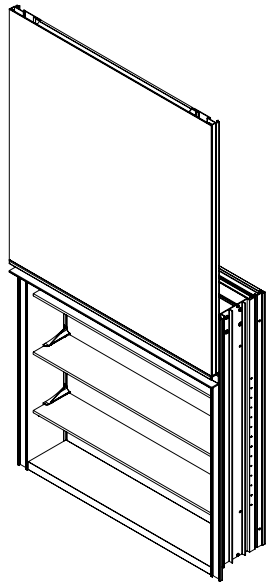
WARRANTY

Limited Warranty One Year Term

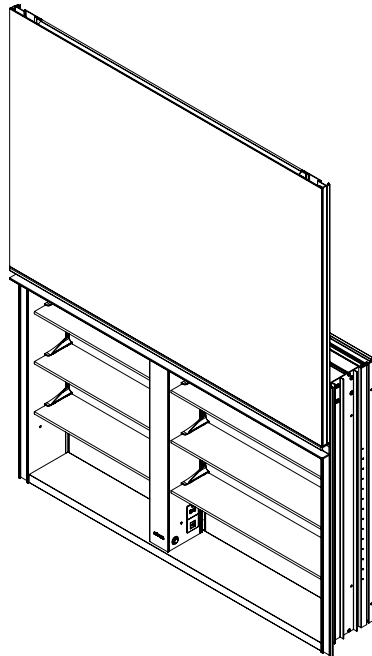
Robern warrants to the original purchaser that, it will, at its election repair, replace, or make appropriate adjustment to products made by this company shown to have significant defects in material or workmanship which are reported to Robern in writing within one (1) year from the date of delivery. Robern is not responsible for installation costs. The warranty is void in the event the product is damaged in transit, or if damage or failure is caused by abuse, misuse, abnormal usage, faulty installation, damage in an accident, improper maintenance, or any repairs other than those authorized by Robern. At the expiration of the one year warranty period, Robern shall be under no further obligation under any warranty, expressed or implied, including the implied warranty of merchantability. Robern shall not be liable for any consequential damages arising out of or in connection with the use or performance of its products. Some states do not allow limitations on how long an implied warranty lasts or do not allow the exclusion or limitation of incidental or consequential damages, so the above limitation or exclusion may not apply to you. Any liability against Robern under any implied warranty, including the warranty of merchantability, is expressly limited to the terms of this warranty. Permission to return any merchandise under this warranty must be authorized by Robern and returned prepaid by the purchaser. Claims under this warranty should be sent directly to your dealer.

©2019 Robern, Inc.

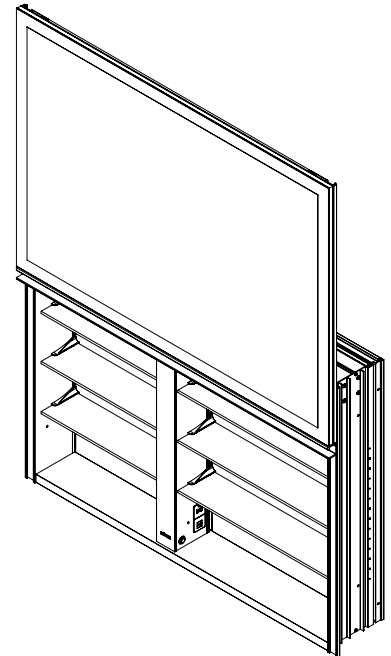
All rights reserved



24" Uplift Tech



30", 36", 48" Uplift Tech



30", 36", 48" Uplift Tech
 avec éclairage de périmètre /
 con iluminación perimetral

TABLE DES MATIÈRES

- Section 1 - Montage de Reces - **16**
- Section 2 - Branchements électriques pour les modèles électriques - **17**
- Section 3 - Installation pour les modèles non électriques - **19**
- Section 4 - L'assemblage final - **20**

INFORMATION GÉNÉRALE

Cette fiche d'instructions contient des informations sur l'installation d'un meuble Uplift dans une application encastrée. Ces armoires sont disponibles en différentes tailles. Lisez les instructions spécifiques pour savoir comment votre armoire sera montée. Les armoires peuvent être montées en surface, encastrées et semi encastrées. Des options électriques peuvent être fournies avec votre ou vos armoires.

Conservez ces instructions pour une utilisation et une référence futures. Une installation incorrecte annule la garantie. Inspectez soigneusement l'armoire pour tout dommage avant l'installation. Les produits installés ne peuvent pas être retournés.

En cas de problèmes avec votre miroir mural, communiquer avec le concessionnaire ou directement avec Robern.

Garantie limitée — Un an

CONTENIDO

- Sección 1 - Montaje de receso - **16**
- Sección 2 - Conexiones Eléctricas para Modelos Eléctricos - **17**
- Sección 3 - Instalación para modelos no eléctricos - **19**
- Sección 4 - Montaje final - **20**

INFORMACIÓN GENERAL

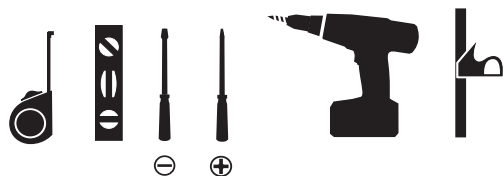
Esta hoja de instrucciones contiene información sobre cómo instalar un gabinete Uplift en una aplicación empotrada. Estos gabinetes están disponibles en diferentes tamaños. Lea las instrucciones específicas sobre cómo se montarán sus gabinetes. Los gabinetes se pueden montar en superficie, empotrar y semi empotrar. Se pueden proporcionar opciones eléctricas con su (s) gabinete (s).

Guarde estas instrucciones para uso futuro y referencia. Una instalación incorrecta anula la garantía. Inspeccione cuidadosamente el gabinete por daños antes de la instalación. Los productos instalados no pueden ser devueltos.

Si tiene algún problema con su espejo de pared, comuníquese con su distribuidor o directamente con Robern.

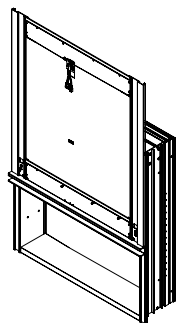
Garantía limitada — Término de un año

OUTILS NÉCESSAIRES

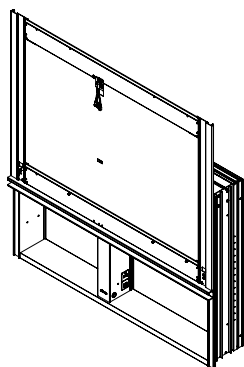


HERRAMIENTAS NECESARIAS

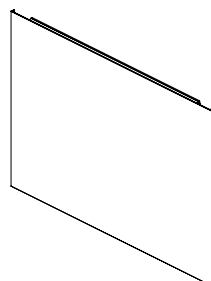
PIÈCES



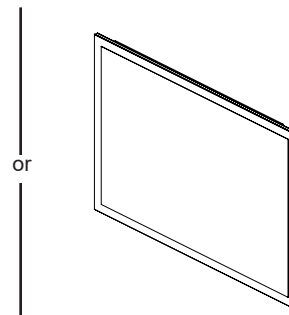
24" /
Cabinet / Gabinete



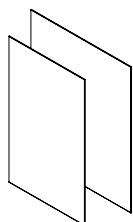
30", 36" or 48"
Cabinet / Gabinete



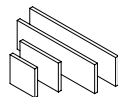
Rétroviseur /
Espejo delantero



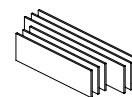
Rétroviseur avec périmètre
Éclairage / Espejo frontal con
perímetro Iluminación
30", 36", and 48"



24" Cabinet / Gabinete,
1 Rétroviseur / Espejo delantero
30", 36", 48" Cabinet / Gabinete,
2 Rétroviseur / Espejo delantero

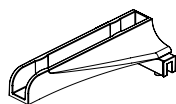


24" Cabinet / Gabinete,
1 Contrepoids / Contrapeso
30", 36", 48" Cabinet / Gabinete,
2-4 Contrepoids / Contrapeso



24" Cabinet / Gabinete,
3 Étagères en verre / Estantes de vidrio
30", 36", 48" Cabinet / Gabinete,
6 Étagères en verre / Estantes de vidrio

Sac de matériel / Bolsa de hardware



[211-1305]
24" Cabinet / Gabinete,
6 Clips de tablette transparents
30", 36", 48" Cabinet / Gabinete,
12 Clips de tablette transparents



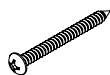
[SS672]
(6) Bouchon à vis /
Tapón de rosca



[SS134]
(6) Bouchon de trou /
Tapón de agujero



3/32 Allen Key



[SS674]
(6) #10 x 2" Vis / Tornillo



[203-1514]
(6) Vis / Tornillo

Selon l'installation, toutes les pièces ne seront pas utilisées. /
Dependiendo de la instalación, no se utilizarán todas las piezas.

REMARQUES

Déballiez le miroir. Vérifiez soigneusement la boîte pour tout le matériel et les pièces détachées. Inspectez soigneusement le miroir pour des dommages. Tout le câblage doit être effectué par un électricien agréé qualifié.

⚠️ AVERTISSEMENT: Pour réduire les risques d'électrocution, coupez le courant avant de câbler l'armoire.

⚠️ ATTENTION: Nécessite un circuit 120VAC 20Amp.

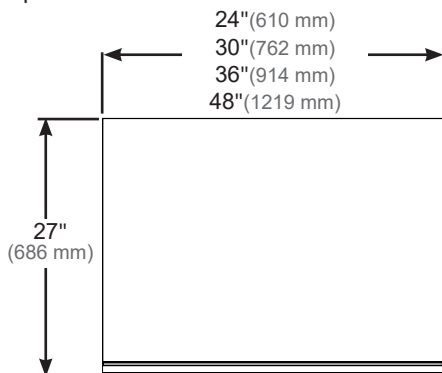
⚠️ ATTENTION: Ce produit doit être connecté à un système de câblage permanent en métal mis à la terre ou un conducteur de mise à la terre de l'équipement doit être branché avec les conducteurs du circuit et connecté à la borne de mise à la terre de l'équipement ou au fil situé sur le produit.

⚠️ ATTENTION: Le coffret doit être câblé sur un circuit GFI (interrupteur de fuite à la terre) lorsqu'il est utilisé dans les salles de bain et tous les autres endroits requis par le Code national de l'électricité.

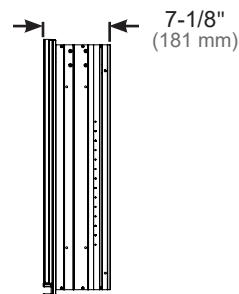
⚠️ ATTENTION: Charge maximale sur l'étagère 26.5 LBS
Des accessoires sont disponibles pour le meuble Uplift. Veuillez consulter le guide d'utilisation des accessoires pour les instructions d'installation.

DIMENSIONS

Uplift Tech

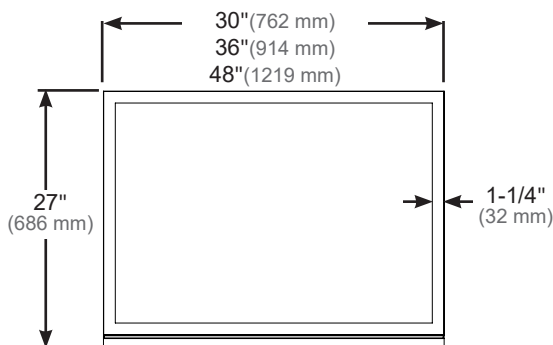


Vue de Face / Vista frontal

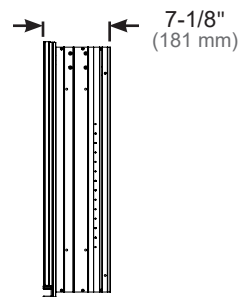


Vue de Côté / Vista lateral

Uplift Tech avec Éclairage de Périphérie / con iluminación perimetral



Vue de Face / Vista frontal



Vue de Côté / Vista lateral

robern

© 2019 Robern, Inc. 701 N. Wilson Ave. Bristol, PA 19007 U.S.A.
800.877.2376 www.robern.com

Instructions d'installation / Instrucciones de instalación

NOTAS

Desempaca el espejo. Revise la caja a fondo para ver todos los accesorios y piezas sueltas. Inspeccione cuidadosamente el espejo en busca de daños. Todo el cableado debe ser realizado por un electricista calificado y con licencia.

⚠️ PELIGRO: Para reducir el riesgo de descarga eléctrica, apague la alimentación antes de cablear el gabinete.

⚠️ PRECAUCIÓN: Requiere un circuito 120VAC 20amperios.

⚠️ PRECAUCIÓN: Este producto debe conectarse a un sistema de cableado metálico permanente conectado a tierra o un conductor de conexión a tierra del equipo debe funcionar con los conductores del circuito y conectado al terminal de conexión a tierra del equipo o al cable del producto.

⚠️ PRECAUCIÓN: El gabinete debe estar conectado a un circuito GFI (Interruptor de falla a tierra) de 20 A cuando se usa en baños y en todas las demás ubicaciones requeridas por el Código Eléctrico Nacional.

⚠️ PRECAUCIÓN: Carga máxima en estante 26.5 LBS
Los accesorios están disponibles para el gabinete Uplift. Consulte la guía de instrucciones de accesorios para obtener instrucciones de instalación.

No. de pièce / Pieza n.° 209-1311-rB rev. 08/21/19
Uplift Tech Cabinet / Uplift Tech Cabinet

SECTION 1 - MONTAGE DE RECES

REMARQUE: Le kit de montage semi-encastré (USMK27D6SR) vous permet de semi-encastrez votre armoire et fournit le kit latéral semi-encastré. (Acheté séparément)

Ces instructions concernent le montage encastré de votre armoire dans une ouverture de 6" (153 mm) de profondeur ou semi-encastré dans une ouverture de 4" (102 mm). Les instructions de montage en surface sont fournies avec le kit de montage en surface - USMK27D6P

1. Faites une ouverture brute et encadrez de tous les côtés. Trouvez les dimensions spécifiques du modèle dans le diagramme ci-dessous pour effectuer l'ouverture brute.

Déterminez si l'armoire est électrique ou non électrique pour continuer.

Pour les armoires avec un miroir avant éclairé, Robern recommande le gradateur Maestro® C • L® de LUTRON®, modèle MACL-153M.
<http://www.lutron.com/TechnicalDocumentLibrary/369613a.pdf>

D'autres gradateurs de commande à LED peuvent fonctionner avec ce produit mais n'ont pas été testés ou vérifiés. Il est recommandé de laisser le variateur à la portée de votre miroir afin de pouvoir régler la luminosité.

Pour le fonctionnement marche / arrêt (pas de gradateur), un interrupteur mural standard peut être remplacé à la place du gradateur.

SECCIÓN 1 - MONTAJE DE RECESO

NOTA: El kit de montaje semi-empotrado (USMK27D6SR) le permite semi-empotrar su gabinete y suministra el kit lateral semi-empotrado. (Comprado por separado)

Estas instrucciones son para el montaje empotrado de su gabinete en una abertura de 6" (153 mm) de profundidad, o para el montaje semi empotrado de su gabinete en una abertura de 4" (102 mm). Las instrucciones de montaje en superficie vendrán con el kit de montaje en superficie - USMK27D6P

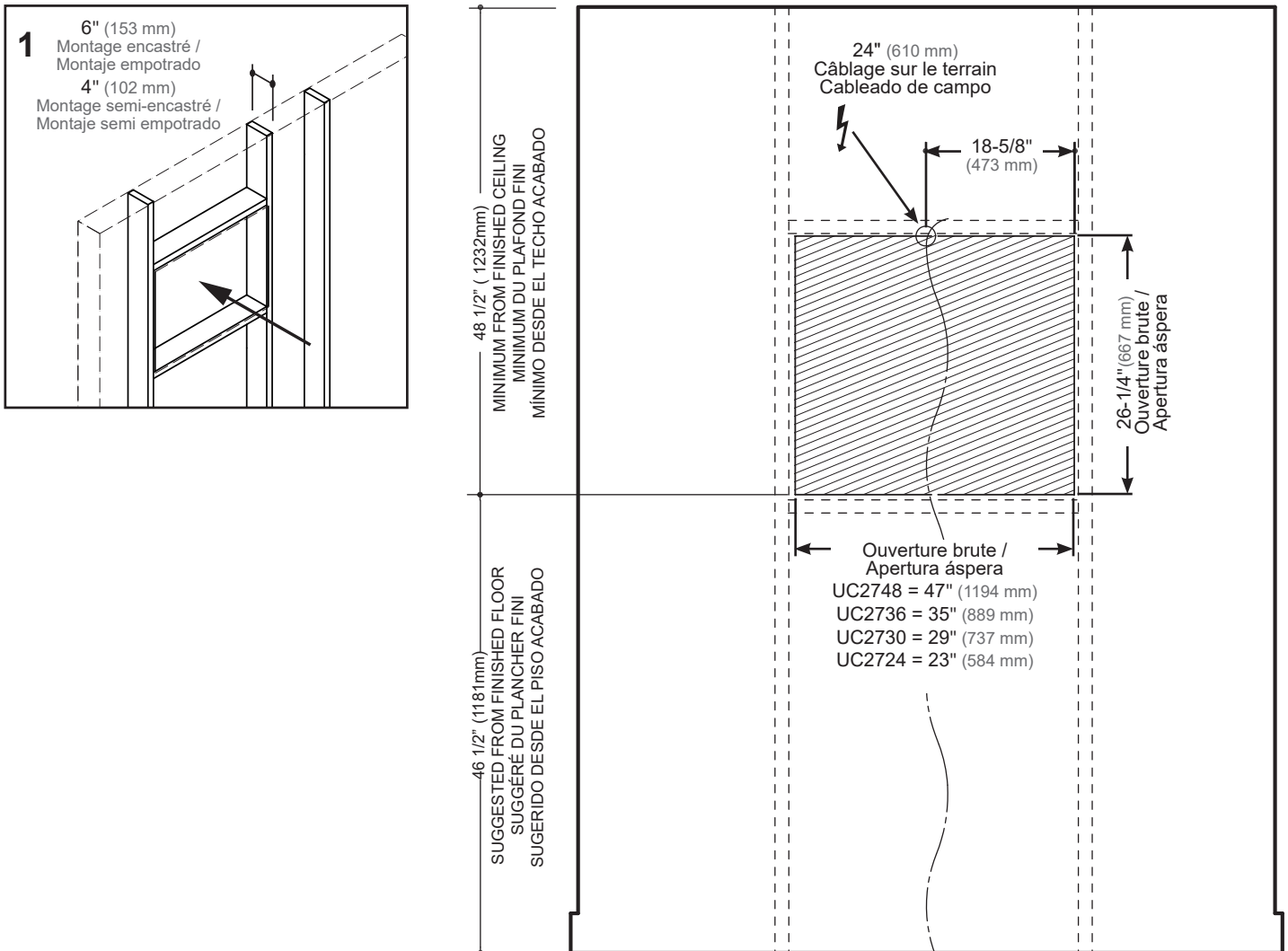
1. Haga una abertura y marco en bruto en todos los lados. Encuentre las dimensiones específicas del modelo en el diagrama a continuación para hacer la apertura aproximada.

Determine si el gabinete es eléctrico o no eléctrico para continuar.

Para armarios con un espejo frontal iluminado, Robern recomienda el Atenuador Maestro® C • L® de LUTRON®, Modelo # MACL-153M.
<http://www.lutron.com/TechnicalDocumentLibrary/369613a.pdf>

Otros atenuadores de control LED pueden funcionar con este producto pero no han sido probados o verificados. Se recomienda que el atenuador esté al alcance de su espejo para que pueda ajustar el brillo.

Para la operación de encendido / apagado (sin atenuador), se puede sustituir un interruptor de pared estándar en lugar del atenuador.



robern

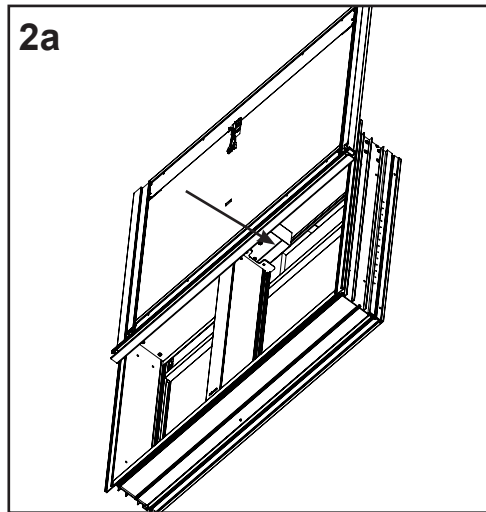
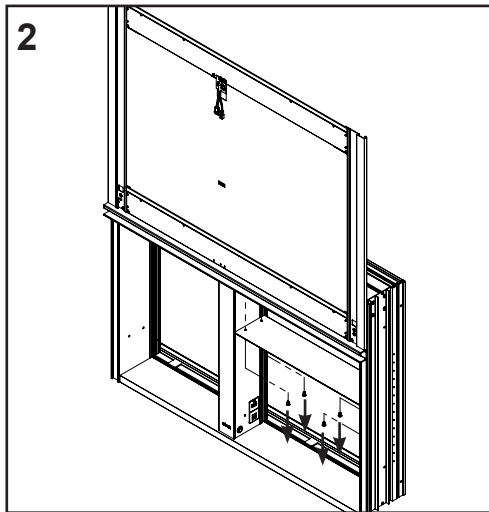
© 2019 Robern, Inc. 701 N. Wilson Ave. Bristol, PA 19007 U.S.A.
800.877.2376 www.robern.com

Instructions d'installation / Instrucciones de instalación

No. de pièce / Pieza n.° 209-1311-rB rev. 08/21/19
Uplift Tech Cabinet / Uplift Tech Cabinet

SECTION 2 - BRANCHEMENTS ÉLECTRIQUES POUR LES MODÈLES ÉLECTRIQUES

1. Pour les modèles électriques, E2 et E4, prévoyez 24 "(610 mm) de fil électrique.
2. Utilisation de la clé Allen fournie 3/32, retirez les quatre vis pour retirer le panneau de plafond supérieur droit à l'intérieur du meuble.
- 2a. Cela donnera accès à la boîte de connexion électrique.
3. Tirez le câblage de terrain par les trous du haut et laissez-le pendre du boîtier de connexion électrique.

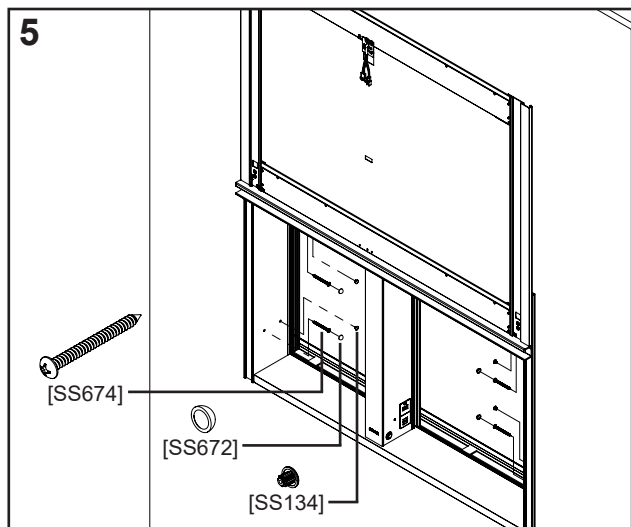
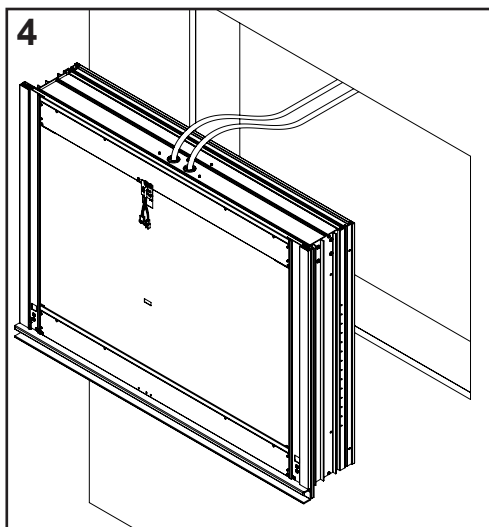


SECCIÓN 2 - CONEXIONES ELÉCTRICAS PARA MODELOS ELÉCTRICOS

1. Para los modelos eléctricos, E2 y E4, permita 24 "(610 mm) de cable eléctrico.
2. Usando la llave Allen 3/32 suministrada, retire los cuatro tornillos para quitar el panel del techo superior derecho dentro del gabinete.
- 2a. Esto dará acceso a la caja de conexión eléctrica.
3. Tire del cableado de campo a través de los agujeros superiores y déjelos colgando de la caja de conexiones eléctricas.

4. Placez l'armoire dans le boîtier et assurez-vous qu'elle est d'aplomb et à niveau. Si le cabinet n'est pas d'aplomb, calez au besoin.
5. Installez quatre vis (SS674) suivies des capuchons à vis (SS672) comme indiqué. Insérez les bouchons de trous (SS134) dans les quatre trous restants.
6. Il existe trois façons de connecter Uplift Tech en fonction des options électriques de votre armoire. Établissez les connexions nécessaires. Celles-ci sont détaillées à la page suivante.
7. Allez à la section 4 pour l'assemblage final.

4. Coloque el gabinete en la instalación y asegúrese de que el gabinete esté nivelado y nivelado. Si el gabinete no está aplomado, calce según sea necesario.
5. Instale cuatro tornillos (SS674) seguidos de las tapas de los tornillos (SS672) como se muestra. Inserte los taponos de los agujeros (SS134) en los cuatro agujeros restantes.
6. Hay tres formas de conectar Uplift Tech dependiendo de las opciones eléctricas de su gabinete. Realice las conexiones según sea necesario. Estos se detallan en la siguiente página.
7. Vaya a la Sección 4 para la Asamblea Final.



robern

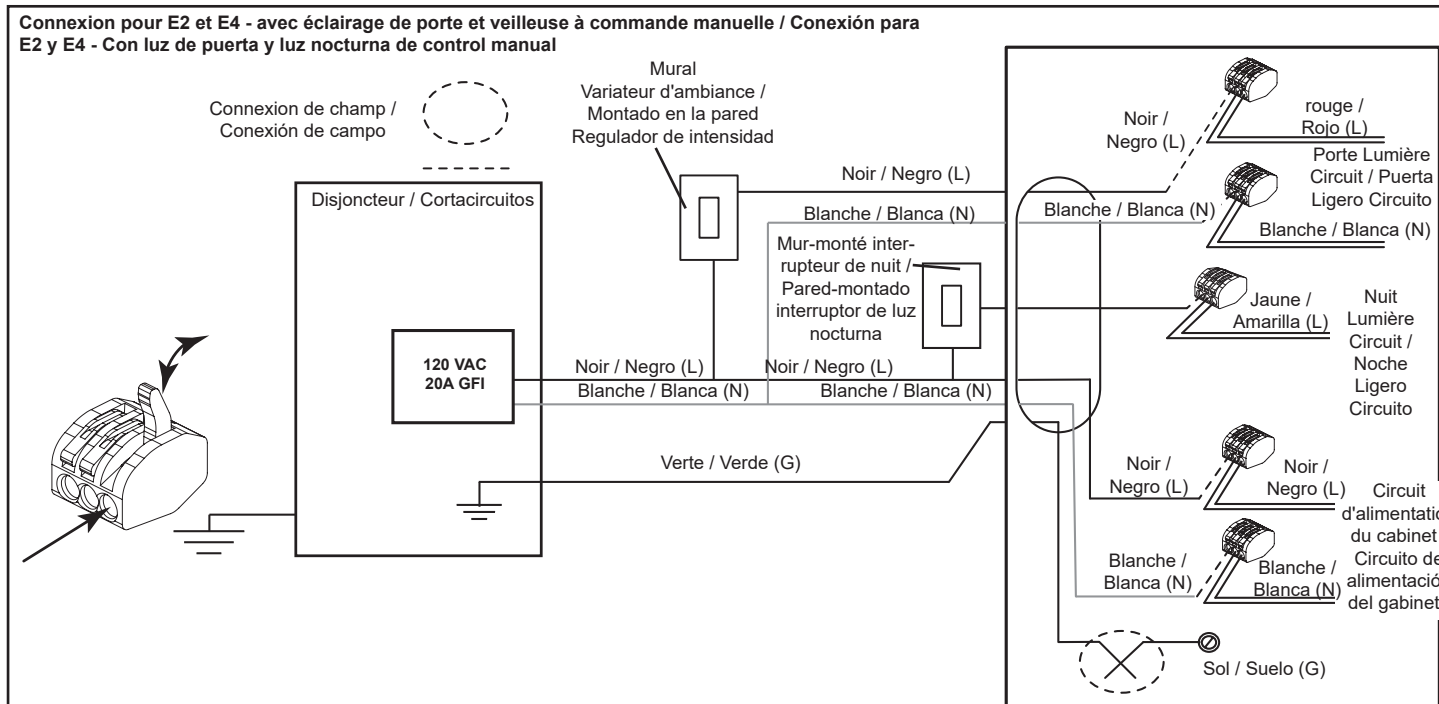
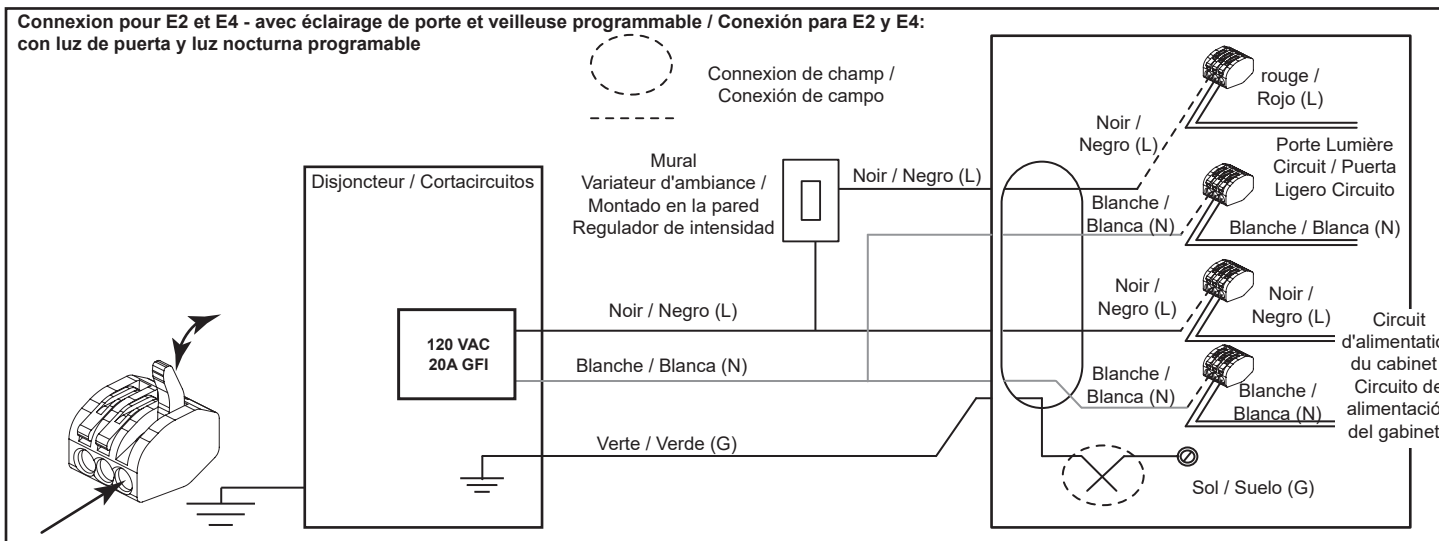
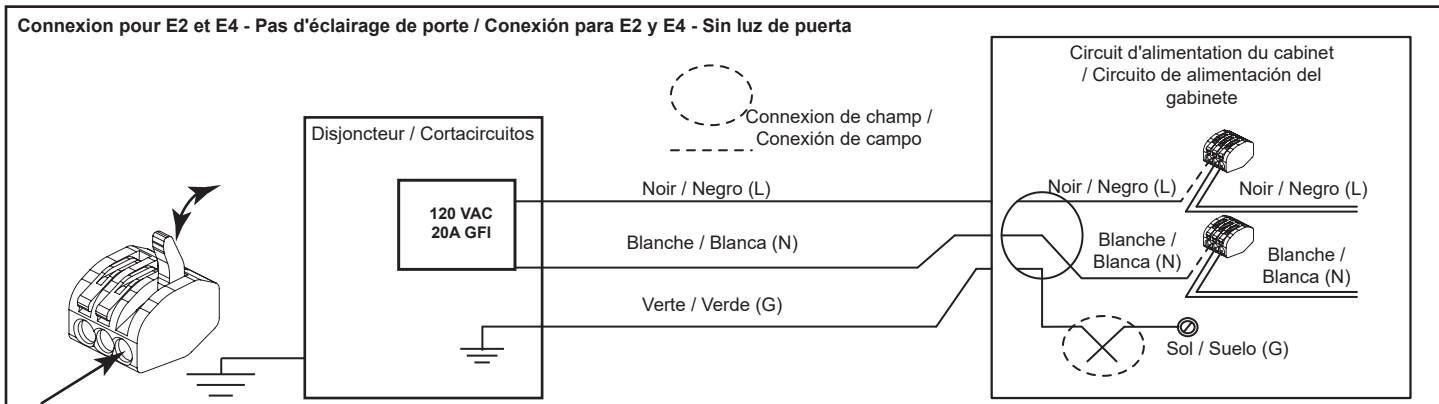
© 2019 Robern, Inc. 701 N. Wilson Ave. Bristol, PA 19007 U.S.A.
800.877.2376 www.robern.com

Instructions d'installation / Instrucciones de instalación

No. de pièce / Pieza n.° 209-1311-rB rev. 08/21/19
Uplift Tech Cabinet / Uplift Tech Cabinet

SECTION 2 - BRANCHEMENTS ÉLECTRIQUES POUR LES MODÈLES ÉLECTRIQUES

SECCIÓN 2 - CONEXIONES ELÉCTRICAS PARA MODELOS ELÉCTRICOS



robern

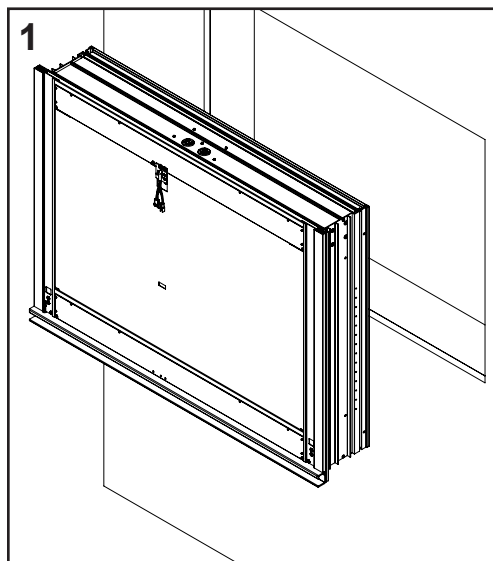
© 2019 Robern, Inc. 701 N. Wilson Ave. Bristol, PA 19007 U.S.A.
800.877.2376 www.robern.com

Instructions d'installation / Instrucciones de instalación

No. de pièce / Pieza n.° 209-1311-rB rev. 08/21/19
Uplift Tech Cabinet / Uplift Tech Cabinet

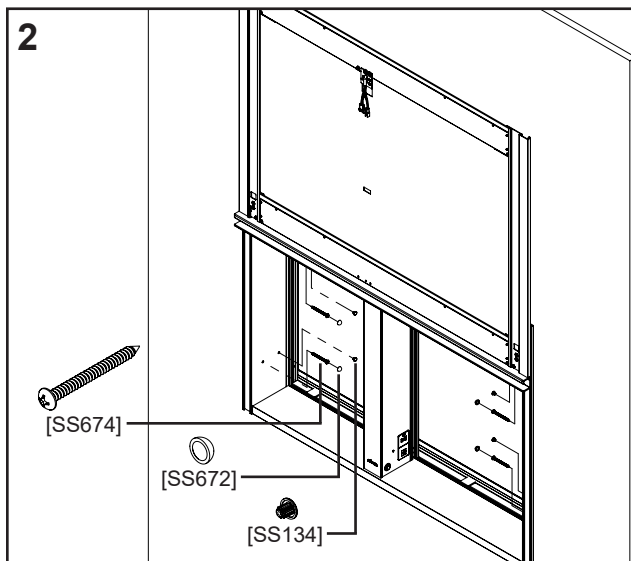
SECTION 3 - INSTALLATION POUR LES MODÈLES NON ÉLECTRIQUES

1. Placez l'armoire dans le boîtier et assurez-vous que l'armoire est à l'aplomb et à niveau. Si le cabinet n'est pas d'aplomb, calez au besoin.
2. Installez quatre vis (SS674) suivies des capuchons à vis (SS672) comme indiqué. Insérez les bouchons de trous (SS134) dans les quatre trous restants.
3. Allez à la section 4 pour l'assemblage final.



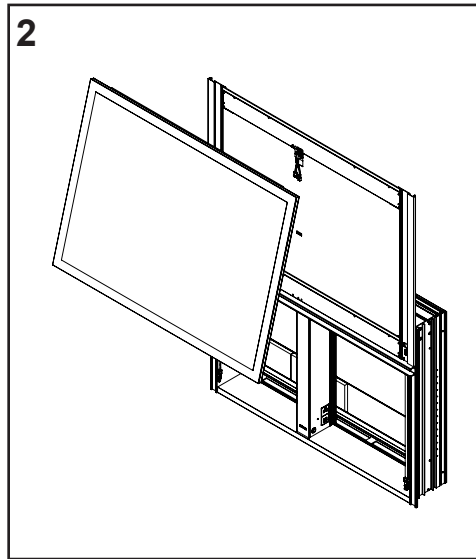
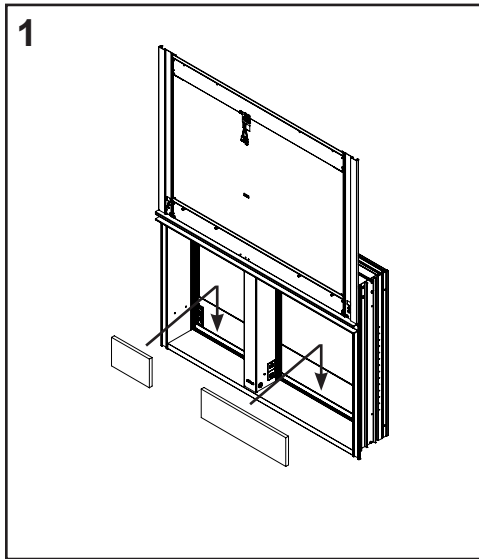
SECCIÓN 3 - INSTALACIÓN PARA MODELOS NO ELÉCTRICOS

1. Coloque el gabinete en la instalación preliminar y asegúrese de que el gabinete esté nivelado y nivelado. Si el gabinete no está aplomado, calce según sea necesario.
2. Instale cuatro tornillos (SS674) seguidos de las tapas de los tornillos (SS672) como se muestra. Inserte los tapones de los agujeros (SS134) en los cuatro agujeros restantes.
3. Vaya a la Sección 4 para la Asamblea Final.

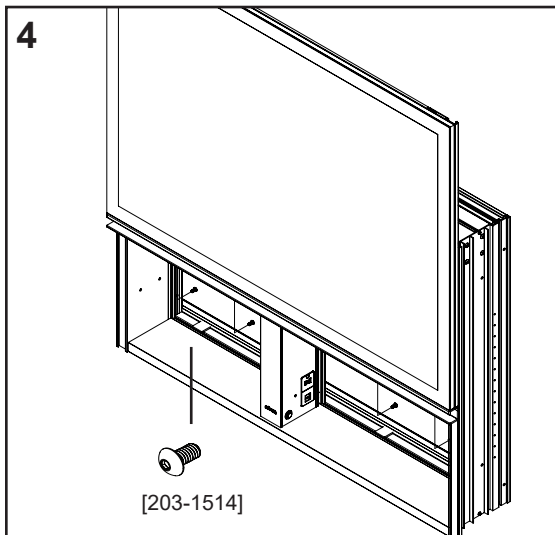


SECTION 4 - ASSEMBLAGE FINAL

1. Levante el marco de la puerta e instale el contrapeso (s), suministrado con su gabinete, en la bandeja de contrapeso (dentro de la parte posterior del gabinete). La puerta debe permanecer abierta.
2. Cuidadosamente cuelgue el espejo de la puerta en el marco de la puerta.



3. Établissez les connexions électriques de la porte au rétroviseur (le cas échéant, cela dépend du modèle).
4. Fixez le rétroviseur au bâti en installant 4 vis (203-1514) sur le bord inférieur intérieur du bâti, à l'aide de la clé Allen 3/32 fournie. Ne pas trop serrer.



5a. Abaissez et soulevez complètement la porte pour vérifier son bon fonctionnement.

5b. Vérifiez que la porte peut être ouverte partiellement et restera ouverte une fois libérée.

SECCIÓN 4 - ASAMBLEA FINAL

1. Soulevez le cadre de la porte et installez le ou les contrepoids fournis avec votre armoire dans le plateau pour contrepoids (à l'arrière de l'armoire). La porte doit rester ouverte.
2. Suspendre soigneusement le rétroviseur au dormant.

3. Haga las conexiones eléctricas de la puerta al espejo de la puerta (si está equipado, depende del modelo).

4. Asegure el espejo de la puerta al marco de la puerta instalando 4 tornillos (203-1514) en el borde inferior interior del marco de la puerta, utilizando la llave Allen 3/32 suministrada. No apriete demasiado.

5a. Baje y levante la puerta completamente para verificar el funcionamiento correcto.

5b. Verifique que la puerta se pueda abrir parcialmente y permanecerá abierta cuando se suelte.

robern

© 2019 Robern, Inc. 701 N. Wilson Ave. Bristol, PA 19007 U.S.A.
800.877.2376 www.robern.com

Instructions d'installation / Instrucciones de instalación

No. de pièce / Pieza n.° 209-1311-rB rev. 08/21/19
Uplift Tech Cabinet / Uplift Tech Cabinet

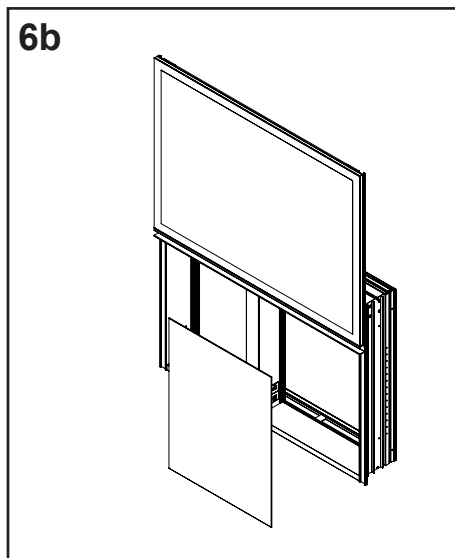
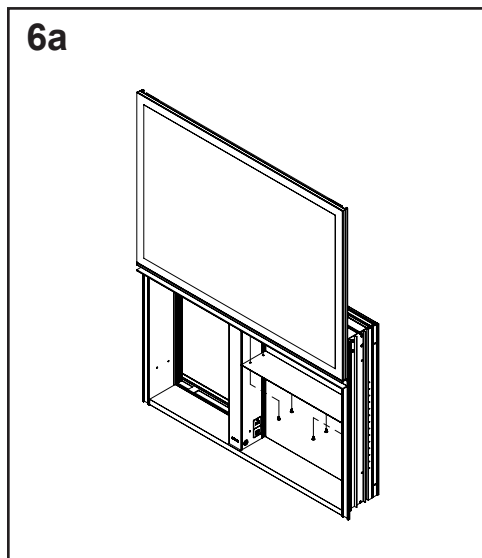
SECTION 4 - ASSEMBLAGE FINAL

6a. Installez les rétroviseurs dans l'armoire en retirant les 4 vis fixant le plafond droit, si elles ne sont pas déjà retirées du câblage électrique, et mettez-les de côté. Les vis peuvent être retirées avec la clé Allen 3/32 fournie.

6b. Positionnez le miroir droit dans l'armoire et réinstallez le plafond. Le plafond doit être orienté avec la bride vers l'arrière de l'armoire et plié vers le bas.

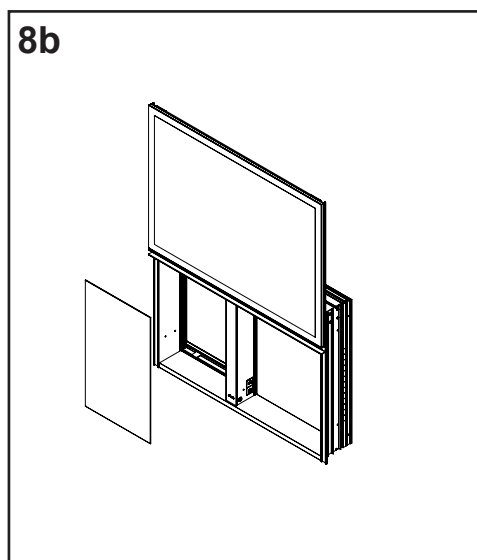
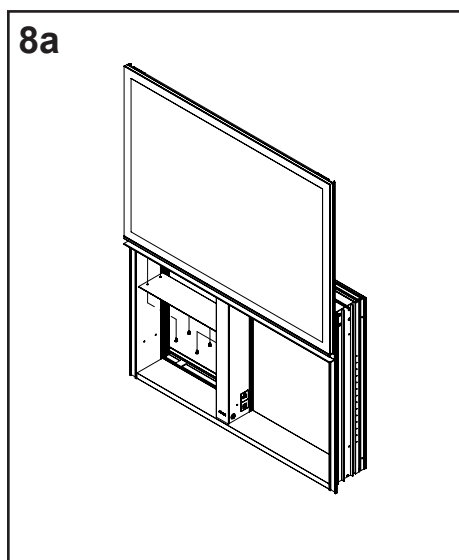
7. Mettez le coffret sous tension et vérifiez toutes les fonctions.

Remarque: pour les armoires de 24", passez à l'étape 9.



8a. Retirez les 4 vis fixant le plafond gauche et placez-les de côté.

8b. Placez le rétroviseur gauche dans l'armoire et réinstallez le plafond.



SECCIÓN 4 - ASAMBLEA FINAL

6a. Instale los espejos traseros en el gabinete quitando los 4 tornillos que sujetan el techo derecho, si aún no lo hizo del cableado eléctrico, y colóquelos a un lado. Los tornillos se pueden quitar con la llave Allen 3/32 suministrada.

6b. Coloque el espejo derecho en el gabinete y vuelva a instalar el techo. El techo debe estar orientado con la brida hacia la parte posterior del gabinete y doblado hacia abajo.

7. Aplique energía eléctrica al gabinete y verifique todas las funciones.

Nota: para gabinetes de 24", salte al paso 9.

robern

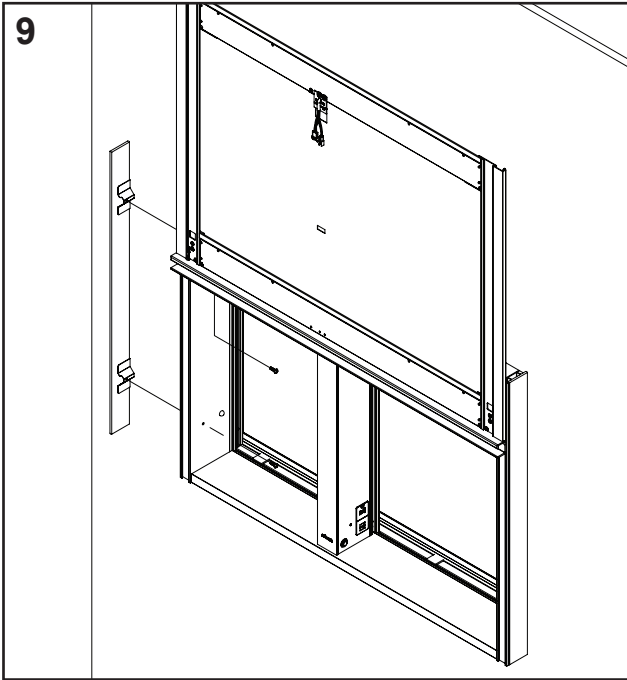
© 2019 Robern, Inc. 701 N. Wilson Ave. Bristol, PA 19007 U.S.A.
800.877.2376 www.robern.com

Instructions d'installation / Instrucciones de instalación

No. de pièce / Pieza n.° 209-1311-rB rev. 08/21/19
Uplift Tech Cabinet / Uplift Tech Cabinet

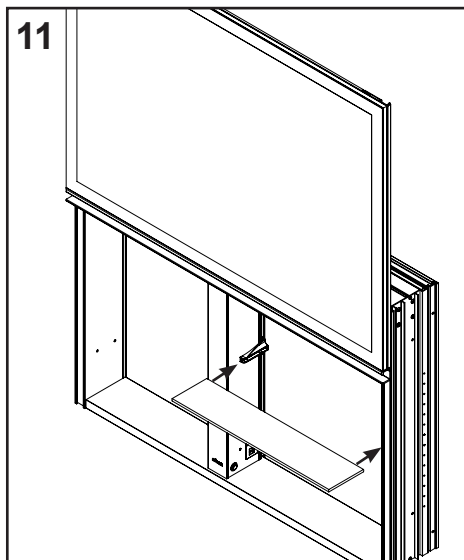
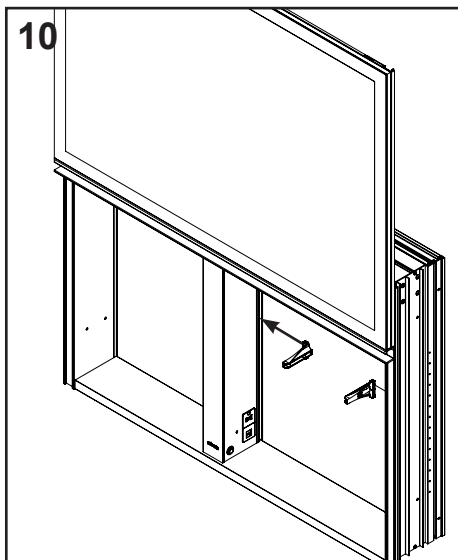
SECTION 4 - ASSEMBLAGE FINAL

9. Kits latéraux semi-encastrés en option (USMK27D6SR) Lorsque l'armoire est correctement installée, faites glisser la porte de l'armoire jusqu'à la position ouverte. Fixez les kits latéraux à l'aide des deux vis fournies avec le kit semi-encastré. Vis de couverture avec des capuchons.



10. La hauteur des étagères peut être ajustée par incréments de 1" (25mm). Installez les attaches d'étagère comme indiqué dans les profilés / trous de la face intérieure de l'armoire.

11. Installez les tablettes dans le canal du clip pour tablette transparente en glissant la tablette dans le clip par l'avant.



SECCIÓN 4 - ASAMBLEA FINAL

9. Kits laterales semiempotrados opcionales (USMK27D6SR) Con el gabinete instalado correctamente, deslice la puerta del gabinete hacia arriba a la posición abierta. Fije los kits laterales con los dos tornillos provistos con el kit semiempotrado. Cubra los tornillos con tapas.

10. La altura de los estantes se puede ajustar en incrementos de 1" (25 mm). Instale los clips del estante como se muestra en los canales / agujeros en el lado interior del gabinete.

11. Instale los estantes en el canal del clip transparente del estante deslizando el estante en el clip desde el frente.

robern

© 2019 Robern, Inc. 701 N. Wilson Ave. Bristol, PA 19007 U.S.A.
800.877.2376 www.robern.com

Instructions d'installation / Instrucciones de instalación

No. de pièce / Pieza n.° 209-1311-rB rev. 08/21/19
Uplift Tech Cabinet / Uplift Tech Cabinet

UTILISATION ET ENTRETIEN

Lors de la mise sous tension initiale, vous remarquerez que l'étagère intérieure et le désembueur clignotent pendant une séquence de test.

PROGRAMMATION DE LA LUMIÈRE DE NUIT

Veilleuse à l'aide d'une minuterie intégrée

Appuyez sur le bouton et maintenez-le enfoncé pendant environ 3 secondes. La veilleuse (sur la poignée de la porte) clignotera et restera allumée. La veilleuse est maintenant programmée et restera allumée pendant les 12 prochaines heures. La veilleuse se rallume 24 heures après sa programmation. Cette programmation restera en place jusqu'à ce que le courant soit coupé ou supprimée.

Pour supprimer la programmation, maintenez le bouton enfoncé pendant environ 10 secondes. À 3 secondes, la veilleuse clignotera; maintenez le bouton enfoncé jusqu'à ce que la veilleuse reste éteinte. La programmation est supprimée.

Veilleuse allumée / éteinte

Appuyez sur le bouton pour allumer / éteindre la veilleuse. Cela n'affectera pas votre programmation.

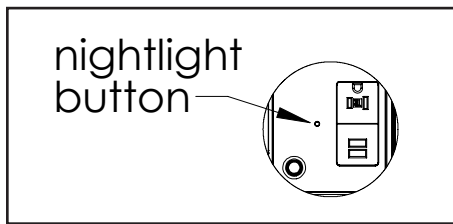
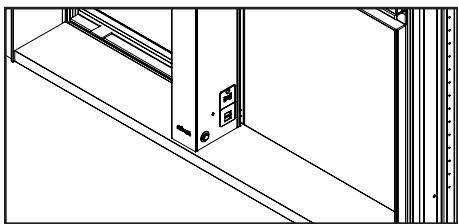
Commande de lumière de nuit manuelle en option à l'aide d'un interrupteur mural externe

Un interrupteur mural pour la veilleuse élimine la nécessité du bouton de programmation. Cependant, le bouton allumera et éteindra toujours la veilleuse si l'interrupteur mural est en position «on». La programmation ne sera pas conservée si la veilleuse est éteinte à l'aide de l'interrupteur mural externe.

Activer le désembueur de miroir

Appuyez sur le bouton de désembuage du rétroviseur, puis relâchez-le. Une LED rouge s'allume. Votre désembueur est maintenant allumé et va s'éteindre après 45 minutes.

Appuyez sur le bouton de dégivrage de votre miroir et relâchez-le avec le voyant rouge allumé pour éteindre manuellement le désembueur.



NETTOYAGE

Utilisez uniquement un chiffon humide pour nettoyer. Les nettoyeurs à base d'ammoniac ou de vinaigre peuvent endommager les miroirs.

Une solution 50/50 d'eau et d'alcool isopropylique est recommandée pour nettoyer les miroirs.

Lors du nettoyage, vaporisez le chiffon et non le miroir ou les surfaces environnantes. N'utilisez pas de nettoyeurs abrasifs sur aucune partie du boîtier.

robern

© 2019 Robern, Inc. 701 N. Wilson Ave. Bristol, PA 19007 U.S.A.
800.877.2376 www.robern.com

Instructions d'installation / Instrucciones de instalación

USO Y MANTENIMIENTO

En el encendido inicial, notará que el estante interior y el desempañador parpadean una secuencia de prueba.

PROGRAMANDO LA LUZ NOCTURNA

Funcionamiento con luz nocturna mediante temporizador integrado.

Mantenga presionado el botón durante aproximadamente 3 segundos. La luz nocturna (en la manija de la puerta) parpadeará y permanecerá encendida. La luz nocturna ahora está programada y permanecerá encendida durante las próximas 12 horas. La luz nocturna se encenderá nuevamente 24 horas después de haber sido programada. Esta programación permanecerá hasta que se pierda la energía o se elimine la programación.

Para eliminar la programación, presione y mantenga presionado el botón durante aproximadamente 10 segundos. A los 3 segundos, la luz nocturna parpadeará; continúe presionando el botón hasta que la luz nocturna permanezca apagada. La programación se elimina.

Luz nocturna encendida / apagada

Al presionar el botón se encenderá / apagará la luz nocturna. Esto no afectará su programación.

Operación opcional de luz nocturna manual con interruptor de pared externo

Un interruptor de pared para la luz nocturna elimina la necesidad del botón de programación. Sin embargo, el botón aún encenderá y apagará la luz nocturna si el interruptor de pared está en la posición "encendido". La programación no se retendrá cuando la luz nocturna se apague usando el interruptor de pared externo.

ACTIVAR EL DEFOGGER DE ESPEJOS

Presione y suelte el botón desempañador del espejo, y se iluminará un LED rojo. Su desempañador ahora está encendido y se apagará solo después de 45 minutos.

Presione y suelte el botón del desempañador del espejo con el LED rojo iluminado para apagar manualmente el desempañador.

LIMPIEZA

Use solo un paño húmedo para limpiar. Los limpiadores a base de amoníaco o vinagre pueden dañar los espejos.

Se recomienda una solución 50/50 de agua y alcohol isopropílico para limpiar los espejos.

Al limpiar, rocíe el paño, no el espejo o las superficies circundantes. No use limpiadores abrasivos en ninguna parte del gabinete.

No. de pièce / Pieza n.° 209-1311-rB rev. 08/21/19
Uplift Tech Cabinet / Uplift Tech Cabinet

GARANTIE

Garantie limitée d'un an

Robern garantit à l'acheteur initial que, lors de son choix, elle réparera, ou apportera les ajustements appropriés aux produits fabriqués par cette société et présentant des défauts de matière ou de fabrication signalés par écrit à Robern dans un délai d'un (1) an. à partir de la date de livraison. Robern n'est pas responsable des coûts d'installation. La garantie est annulée si le produit est endommagé pendant le transport, ou si le dommage ou la défaillance est causé par un usage abusif, abusif, une utilisation anormale, une installation défectueuse, un accident, un entretien inadéquat ou des réparations autres que celles autorisées par Robern. À l'expiration de la période de garantie d'un an, Robern n'aura plus aucune obligation, sous aucune garantie, implicite ou explicite, y compris la garantie implicite de qualité marchande. Robern décline toute responsabilité pour les dommages indirects résultant de ou liés à l'utilisation ou aux performances de ses produits. Certains états n'autorisent pas de limitation de la durée d'une garantie implicite ou n'autorisent pas l'exclusion ou la limitation des dommages accessoires ou indirects. Par conséquent, la limitation ou l'exclusion ci-dessus peut ne pas s'appliquer à vous. Toute responsabilité vis-à-vis de Robern au titre de toute garantie implicite, y compris la garantie de qualité marchande, est expressément limitée aux conditions de cette garantie. La permission de retourner toute marchandise dans le cadre de cette garantie doit être autorisée par Robern et renvoyée prépayée par l'acheteur. Les réclamations au titre de cette garantie doivent être envoyées directement à votre revendeur.

© 2019 Robern, Inc.
Tous les droits sont réservés

GARANTÍA

Garantía limitada de un año

Robern garantiza al comprador original que, en su elección, reparará, reemplazará o hará los ajustes apropiados a los productos fabricados por esta compañía que demuestren tener defectos significativos en material o mano de obra que se informan a Robern por escrito dentro de un (1) año desde la fecha de entrega. Robern no es responsable de los costos de instalación. La garantía es nula en caso de que el producto se dañe en tránsito, o si el daño o falla es causada por abuso, mal uso, uso anormal, instalación defectuosa, daño en un accidente, mantenimiento inadecuado o cualquier reparación que no sea la autorizada por Robern. Al vencimiento del período de garantía de un año, Robern no tendrá ninguna otra obligación bajo ninguna garantía, expresa o implícita, incluida la garantía implícita de comerciabilidad. Robern no será responsable de ningún daño consecuente que surja de o en relación con el uso o el rendimiento de sus productos. Algunos estados no permiten limitaciones sobre la duración de una garantía implícita o no permiten la exclusión o limitación de daños incidentales o consecuentes, por lo que la limitación o exclusión anterior puede no aplicarse en su caso. Cualquier responsabilidad contra Robern bajo cualquier garantía implícita, incluida la garantía de comerciabilidad, está expresamente limitada a los términos de esta garantía. Robern debe autorizar la devolución de cualquier mercancía bajo esta garantía y el comprador debe devolverla prepaga. Las reclamaciones bajo esta garantía deben enviarse directamente a su distribuidor.

© 2019 Robern, Inc.
Todos los derechos reservados