

- Includes mirror defogging
- Dimmable LED task lighting to 1%
- Compatible with most Triac/Phase-cut dimmers
- Energy efficient LED lighting:

| | | |
|------------------------------------|----------|----------|
| Kelvin | 2700 | 4000 |
| CRI | 90+ | 90+ |
| Lumens* | 746-1488 | 746-1488 |
| Lux** | 291 | 291 |
| R9 Value* | 50+ | 50+ |
| Foot-candles** | 27 | 27 |
| Watt Output - LED | 43 | 43 |
| Watt Output - LED with defogger on | 79 | 79 |

* Based on a measurement of subset of sizes, shapes and lighting styles

** Measured at 18" from center of the mirror

Construction

- Anodized aluminum back frame
- Quality polished edge mirror
- Power cords installed for easy plugin installation
- Constructed for surface mounting
- Includes installation hardware

Codes/Standards Applicable

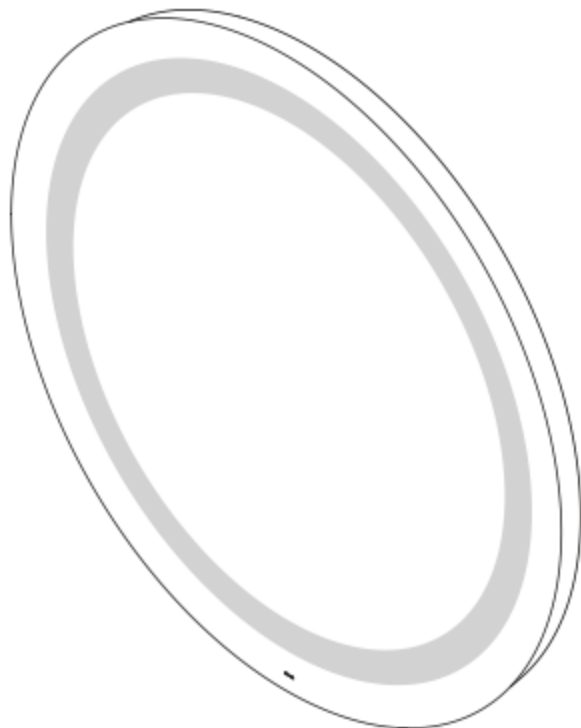
Vitality Mirror is UL certified to:

- UL 962
- CSA-C22.2, No. 12-82

Dimensions

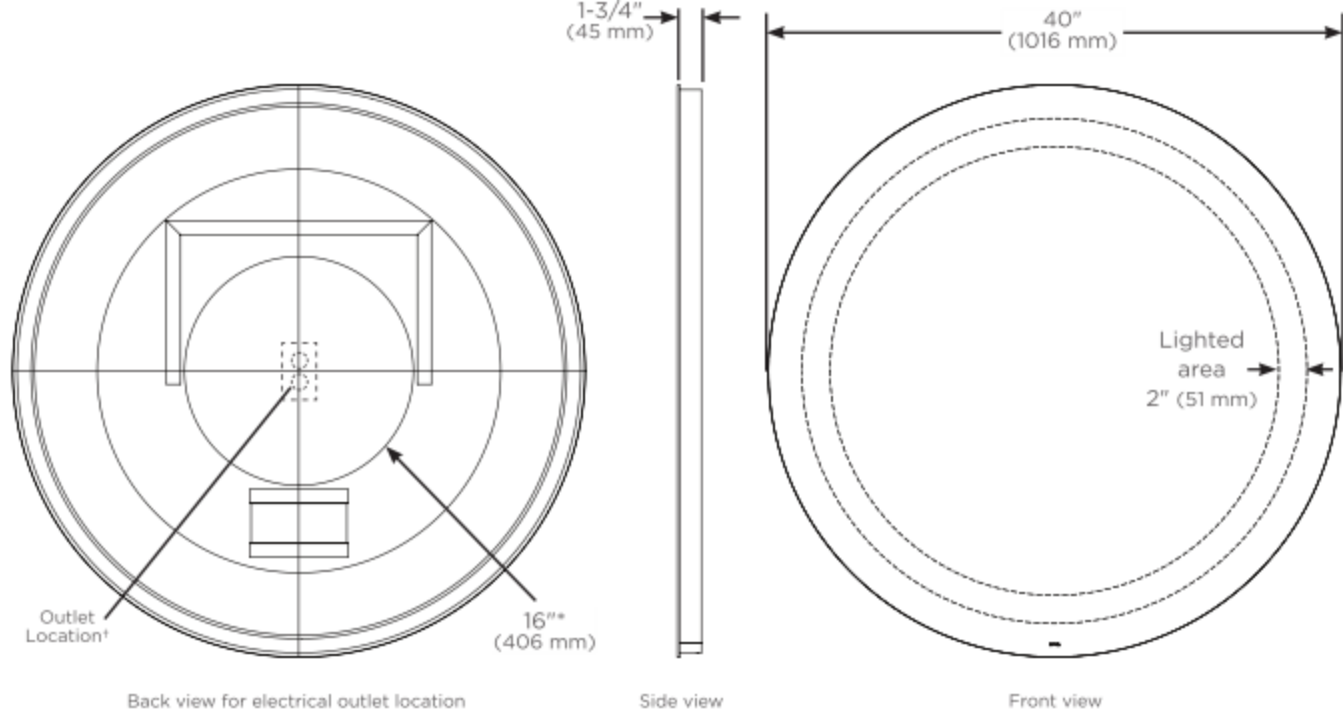
Diameter : 40" (1016 mm)

Depth: 1-3/4" (45 mm)



Model Number Key

| Vitality | Mirror | Diameter | Shape | Light Pattern | Edge Type | Options | Color Temp |
|----------|--------|----------|------------|---------------|---------------------|--------------|------------------------|
| Y | M | 0040 | C = Circle | I = Inset | FP = Flat, Polished | D = Defogger | 3 = 2700K 4 = 4000K |



* Defogger Size
 † See instructions for wiring and location