

- Includes mirror defogging
- Dimmable LED task lighting to 1%
- Compatible with most Triac/Phase-cut dimmers
- Energy efficient LED lighting:

Kelvin	2700	4000
CRI	90+	90+
Lumens*	773	875
Lux**	538	538
R9 Value*	50+	50+
Foot-candles**	50	50
Watt Output - LED	30	30
Watt Output - LED with defogger on	46	46

\* Based on a measurement of subset of sizes, shapes and lighting styles

\*\* Measured at 18" from center of the mirror

### Construction

- Anodized aluminum back frame
- Quality polished edge mirror
- Power cords installed for easy plugin installation
- Constructed for surface mounting
- Includes installation hardware

### Codes/Standards Applicable

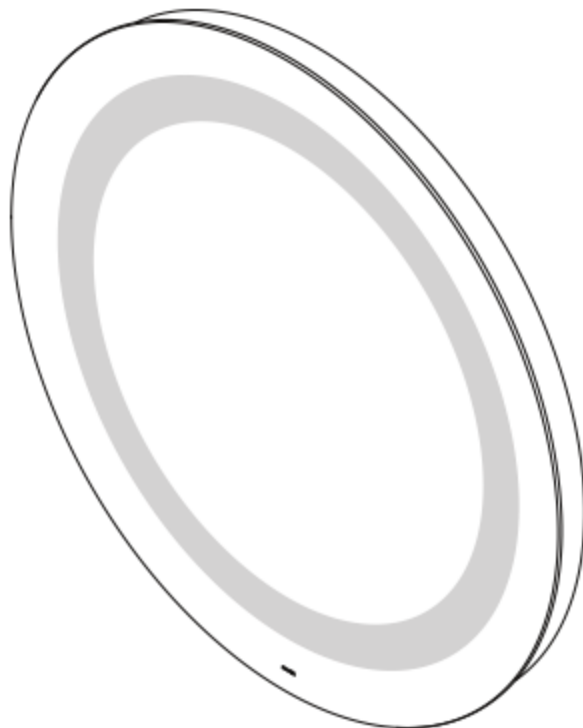
Vitality Mirror is UL certified to:

- UL 962
- CSA-C22.2, No. 12-82

### Dimensions

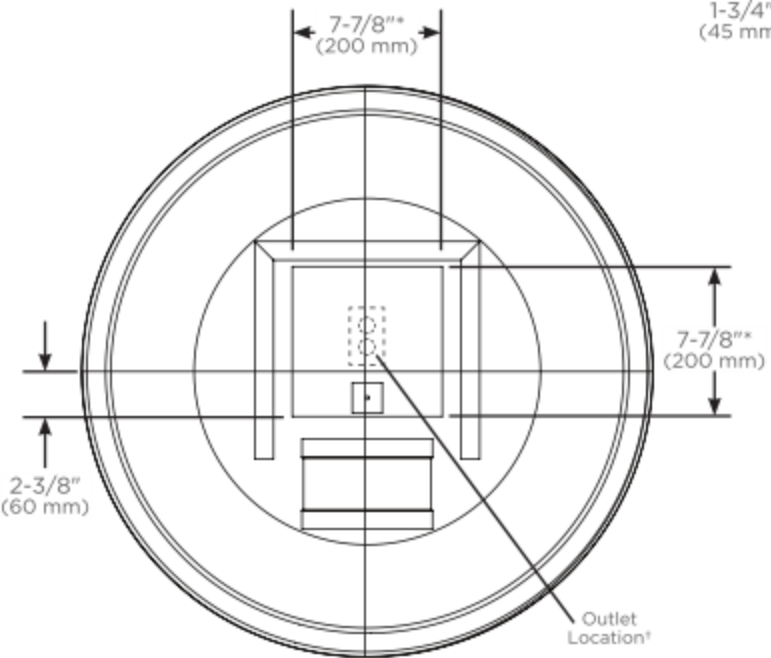
Diameter : 30" (762 mm)

Depth: 1-3/4" (45 mm)

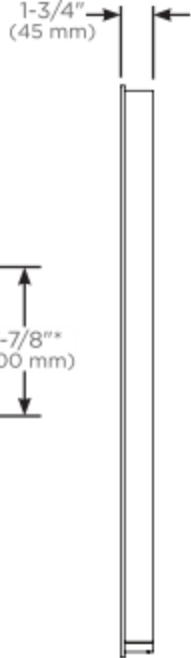


### Model Number Key

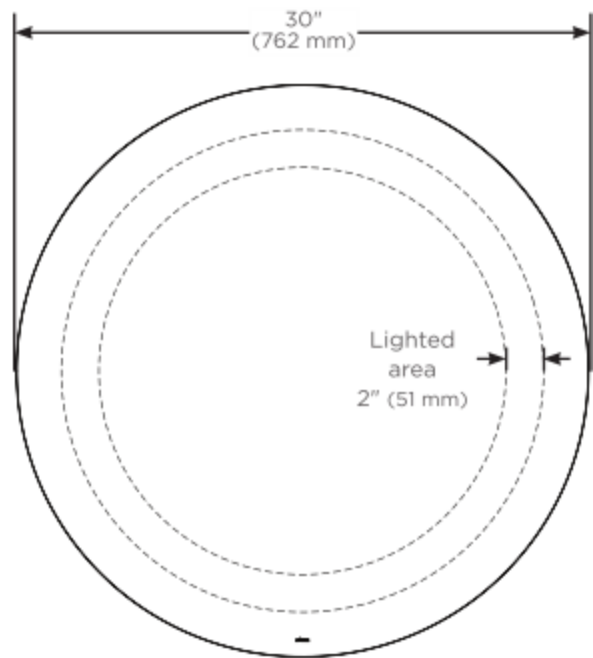
<u>Vitality</u>	<u>Mirror</u>	<u>Diameter</u>	<u>Shape</u>	<u>Light Pattern</u>	<u>Edge Type</u>	<u>Options</u>	<u>Color Temp</u>
Y	M	0030	C = Circle	I = Inset	FP = Flat, Polished	D = Defogger	3 = 2700K 4 = 4000K



Back view for electrical outlet location



Side view



Front view

\* Defogger Size

† See instructions for wiring and location