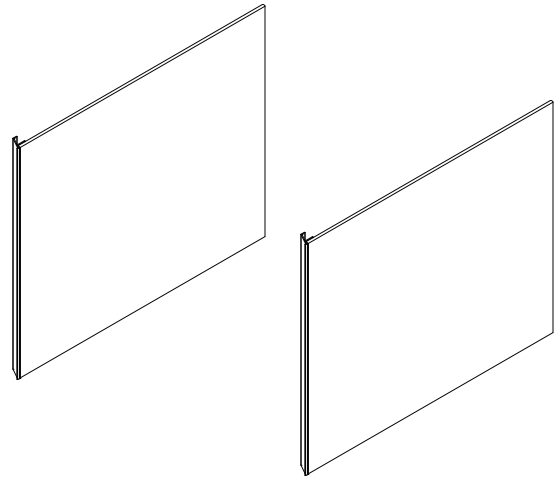


Features

- Aluminum and glass construction
- Side kits are replaceable and sold separately or in pairs for convenience
- Includes parts and installation hardware for one side
- Side Kits are universal and can be installed on the right or left side

Dimensions

Height: 15" (381 mm)
Width: 7/8" (22 mm)
Depth: 21-9/16" (548 mm)

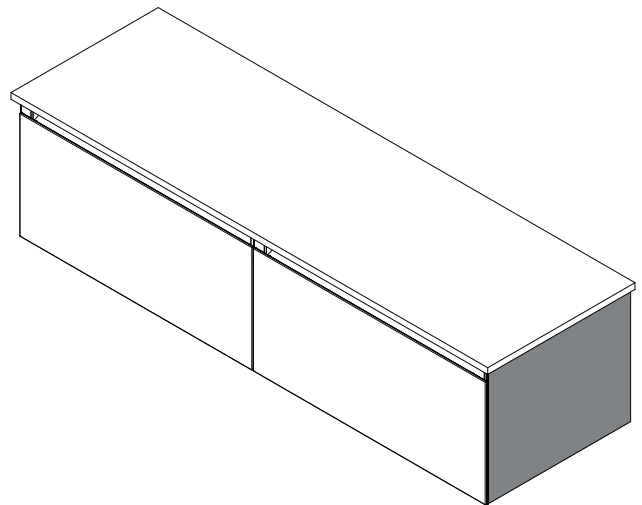


Options

- Glass finish options: Mirror, patterned glass, and back painted glass - gloss or matte
- Other heights available - H1 - 7-1/2" (191 mm) / H3 - 22-1/2" (572 mm) / H4 - 30" (762 mm)
- D18 depth available

Compatibility

- Pairs with all D21 (21-3/4") vanities that total 15" in height
- Designed to finish a single vanity or a multiple vanity assembly that totals 15" in height
- Do not stack Side kits
- See instructions 209-1248

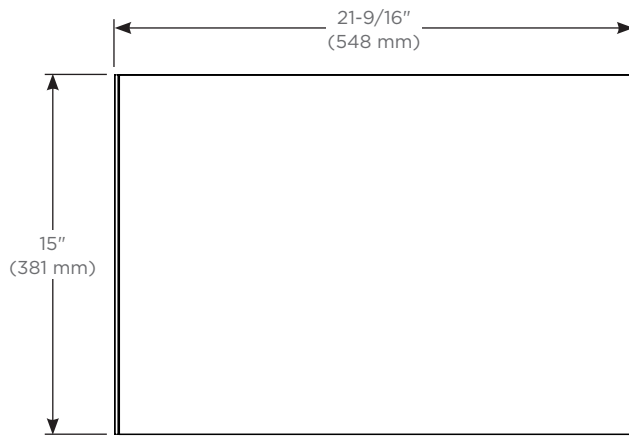


Model Number Key

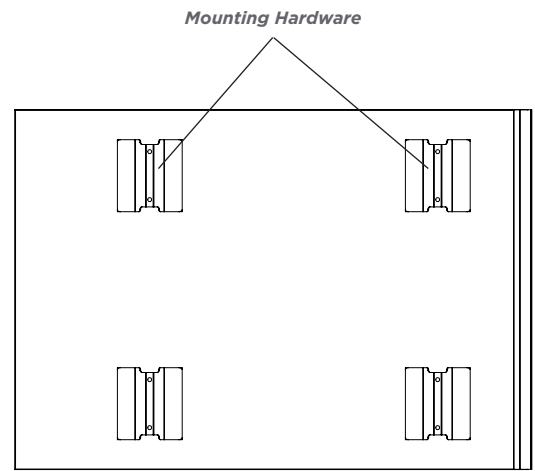
Number of Side Kits		Height	Depth	Glass Finish	
VM	2SK = Pair	H2 = 15"	D21 = 21-9/16"	11 = Tinted Grey Mirror	22 = Beach
				16 = Matte Sand	26 = Matte White
				17 = Matte Slate	27 = Matte Gray
				20 = Black	28 = Matte Black
				21 = White	60 = Reeded White
					61 = Reeded Brass
					12 = Satin Bronze
					19 = Satin White



Top view



Front view



Back view