

### Features

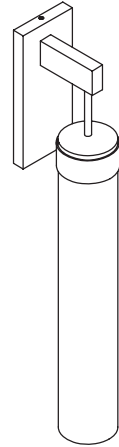
- Includes warm white LED night light
- Accommodates energy efficient 4-pin fluorescent bulb
- 3000K, 24 watt bulb recommended for task lighting
- Bulb not included
- Sold as a single light
- Can be paired with Uplift or any of Robern's other cabinets

### Codes/Standards Applicable

Specified model meets or exceeds the following:

- California Building Standards Code (Title 24)
- UL listed for damp locations
- ADA compliant

### UFLWAL



### Specified Model

| Model  | Description                          |                          |
|--|--------------------------------------|--------------------------|
| UFLWAL   | Uplift sconce light with night light | <input type="checkbox"/> |
| Recommended Bulbs – available online and in most lighting supply stores: Philips PL-L24W/830/4D<br>Sylvania FT24DL/830/ECO |                                      |                          |

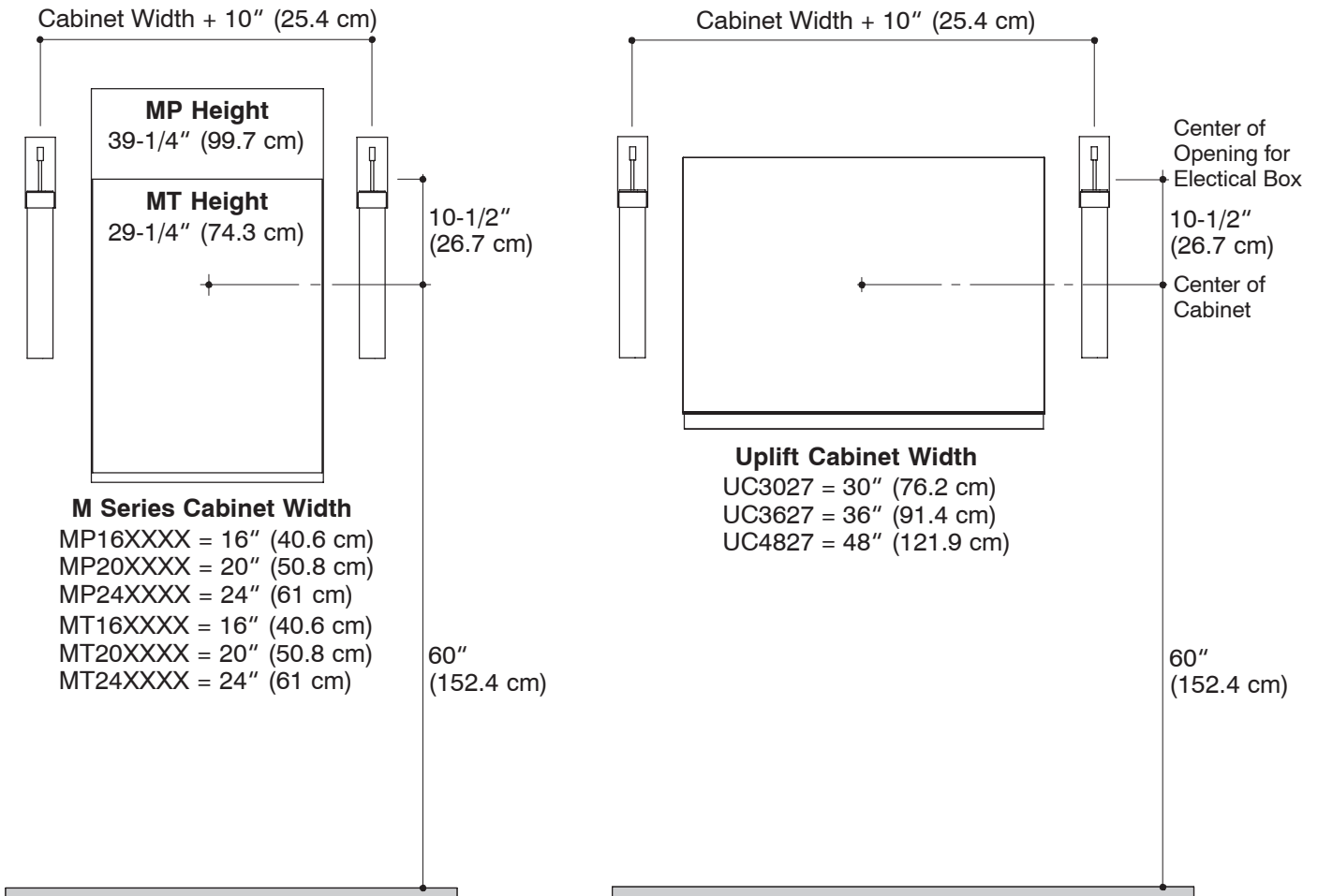
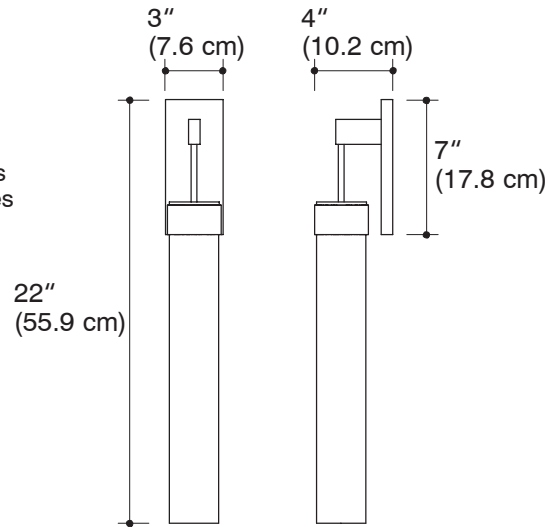
# UPLIFT™ SCONCE LIGHT

## Installation Notes

Install this product according to the installation guide.

Installation of sconce is dependent upon the cabinet installation. For optimal lighting, line-up the center of the shade with the center of the cabinet.

To protect lights from damage, make sure to install hinge clips on Robern cabinets. This will insure that the cabinet door does not open more than 110 degrees.



Product Diagram