

MPM / MTM Mirror and MPS Shelf System - Instructions

THE MPM / MTM SYSTEM OVERVIEW: WITH THE OPTIONAL MPS SHELF, THE SURFACE MOUNTED MIRROR PLUS MIRROR SYSTEM CONSISTS OF FOUR ELEMENTS:

1. THE MP OR MT SERIES CABINET.
2. THE MPM OR MTM WALL MIRROR
3. THE MPS SHELF
4. THE MPSK OR MTSK SIDE KIT

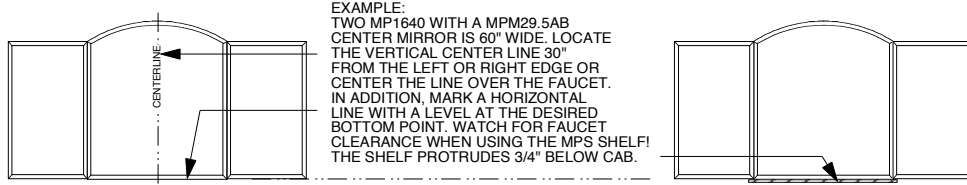
IT IS IMPORTANT TO UNDERSTAND THAT THE MPS SHELF BRACKETS MUST BE INSTALLED ON THE CABINETS FIRST BEFORE THE SIDE KITS. THE MPM WALL MIRROR IS HUNG ON ITS BRACKETS NEXT, THE SHELF IS INSTALLED IN ITS BRACKETS LAST. THE RECESSED MPM SYSTEM CANNOT USE THE MPS SHELF. IF YOU ARE USING VERTICAL LIGHTS YOU WILL NEED TO INSTALL THESE LIGHTS (WITH CABLE) BEHIND THE MIRROR. REFER TO THE M INSTRUCTION SHEETS FOR LIGHTS AND CABINETS

IMPORTANT NOTE 1

A. LAYOUT AND INSTALLATION OF THE MPM / MTM WALL MIRROR.

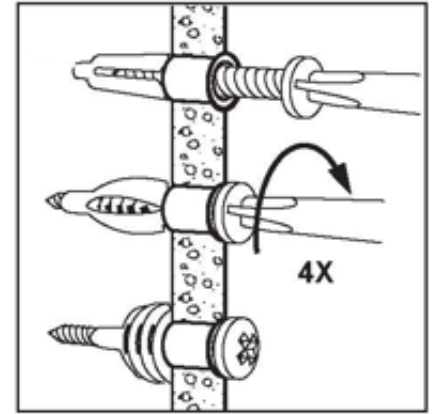
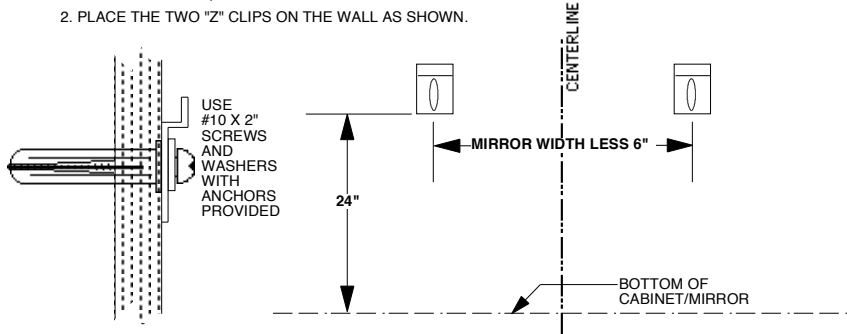
1. LOCATING THE CENTER OF THE ENTIRE CABINET / MIRROR COMBINATION.

A. LAYOUT AND INSTALLATION OF THE MPM / MTM WALL MIRROR.



IMPORTANT NOTE 2 - PROPER ANCHOR INSTALL

2. PLACE THE TWO "Z" CLIPS ON THE WALL AS SHOWN.



3. TEST FIT THE MIRROR. ADJUST CLIPS IF NECESSARY. WITH A PENCIL, MARK THE LEFT AND RIGHT EDGES OF THE MIRROR. REMOVE THE MIRROR WHILE INSTALLING THE CABINETS. BE CAREFUL NOT TO CHIP THE EDGES.

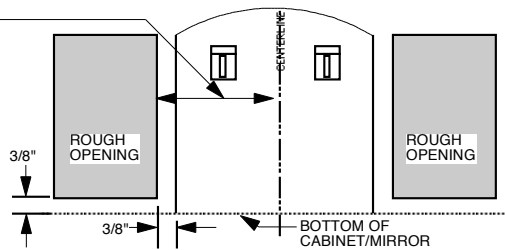
SECTION B DESCRIBES RECESSED MOUNTED CABINETS USED WITH THE MPM / MTM MIRROR. SECTION C DESCRIBES SURFACE MOUNTED CABINETS USED WITH THE MPM / MTM MIRROR. SECTION D DESCRIBES SURFACE MOUNTED CABINETS USED WITH THE MPS SHELF SYSTEM.

B. RECESSED MOUNTED MP / MT CABINET LAYOUT AND INSTALLATION

1. FOLLOW THE ROUGH OPENING GUIDE ON PAGE 1 OF THE MP OR MT CABINET INSTALLATION SHEET AND THE DRAWING BELOW. BE SURE THE MPM / MTM MIRROR IS OFF THE WALL AND IN A SAFE PLACE BEFORE CUTTING OPENINGS.
- IMPORTANT• DO NOT SECURE CABINETS TO THE WALL UNTIL YOU TEST FIT THE MPM MIRROR BETWEEN THE CABINETS. SHIMMING MAY BE NECESSARY UNDER THE RECESSED PORTION OF THE CABINET.

NOTE:
THIS DIMENSION IS
1/2 MIRROR WIDTH + 3/8"

EXAMPLE:
MPM29.5AB = 29 1/2" WIDE
ONE HALF WIDTH = 14 3/4"
14 3/4" + 3/8" = 15 1/8"



NOTE 3:

THE MPM OR MTM MIRROR IS THE HEIGHT OF THE CABINET, NOT THE DOOR!

THE DOOR IS APPROXIMATELY 1/8" SMALLER THAN THE OVERALL HEIGHT OF THE CABINET.

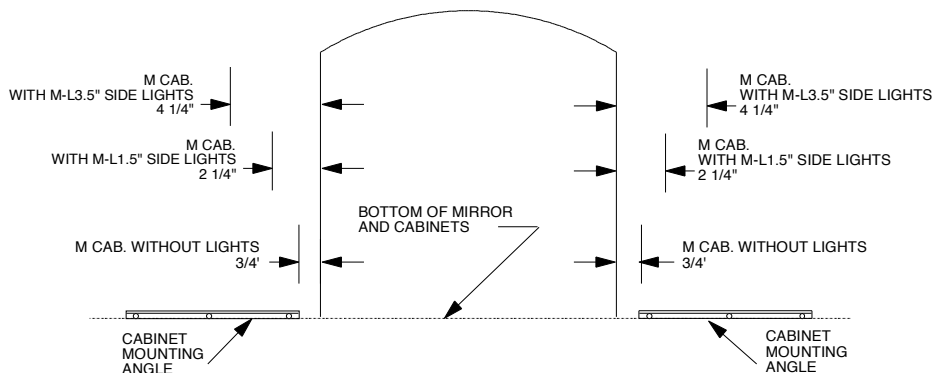
C. SURFACE MOUNTED MP / MT CABINET LAYOUT AND INSTALLATION.

1. INSTALL THE MOUNTING ANGLE AS SHOWN ON PAGE 6 AND 7 OF YOUR CABINET INSTALLATION SHEET AND THE DRAWING BELOW. PLEASE NOTE THAT THE MOUNTING ANGLE MUST BE CLEAR OF THE EDGE OF THE CABINET ON THE MPM / MTM SIDE SO THAT THE MOUNTING ANGLE DOES NOT INTERFERE WITH THE SHELF BRACKET.

FOR THE MP16 OR MT16 CUT THE MOUNTING ANGLE TO 14"
FOR THE MP20 OR MT20 CUT THE MOUNTING ANGLE TO 18"
FOR THE MP24 OR MT24 CUT THE MOUNTING ANGLE TO 22"

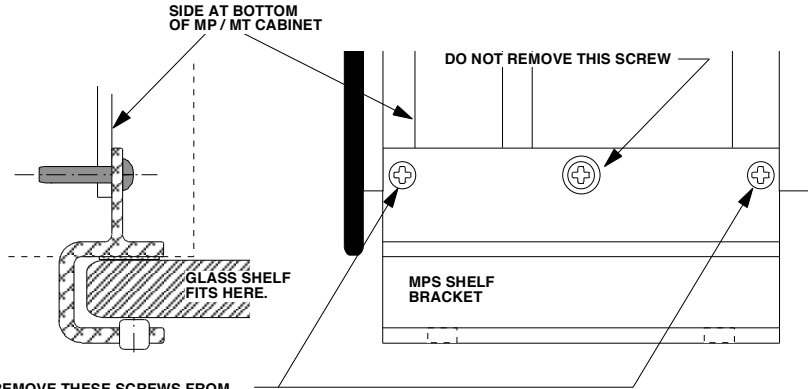
2. INSTALL THE MPS SHELF BRACKETS ON THE CABINETS BEFORE THE CABINETS ARE INSTALLED. SEE SECTION D.
3. CONTINUE WITH THE ENTIRE CABINET, LIGHT AND SIDE KIT INSTALLATION. TEST FIT THE MIRROR. SEE SECTION E.

THE MIRROR IS DESIGNED TO MATCH THE HEIGHT OF THE SIDE KITS AND CABINET.



D. INSTALLING THE MPS SHELF SYSTEM.

- BEFORE INSTALLING THE CABINETS THE MPS SHELF BRACKETS MUST BE INSTALLED ON EACH CABINET ADJACENT TO THE MPM / MTM MIRROR. THE BRACKETS ATTACH TO THE CABINET USING THE EXISTING SCREWS IN THE FRAME.

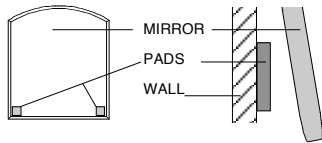


REMOVE THESE SCREWS FROM CABINET AND REATTACH WITH MPS BRACKET

- BE SURE THE OPEN SIDE OF THE BRACKET FACES THE MPM / MTM MIRROR. INSTALL THE CABINET, (LIGHT IF USED) AND SIDE KIT AS PER C ABOVE.

E. FINAL FIT UP AND CARE OF YOUR MPM / MTM WALL MIRROR AND MPS SHELF SYSTEM.

- WITH THE CABINETS ON EITHER SIDE OF THE LOCATION OF THE MPM / MTM MIRROR, TEST FIT THE MIRROR.
- IF THE CABINETS NEED TO BE REPOSITIONED SLIGHTLY A. WHEN SURFACE MOUNTED, LOOSEN THE TOP CLIPS SLIGHTLY AND SLIDE CABINETS LEFT OR RIGHT. B. WHEN RECESSED, LOOSEN THE 4 SCREWS SECURING THE CABINET IN THE ROUGH OPENING - REPOSITION THE CABINET AND RETIGHTEN THE SCREWS. DO NOT OVERTIGHTEN.
- PEEL THE PAPER BACKING FROM THE 2" X 2" ADHESIVE PADS AND PLACE THEM UNDER THE BOTTOM OF THE MIRROR AS SHOWN BELOW:



TILT THE BOTTOM OF THE MIRROR SLIGHTLY SO THAT THE PADS CAN BE PLACED WITHIN 1/2" TO 1" OF THE BOTTOM AND SIDE.

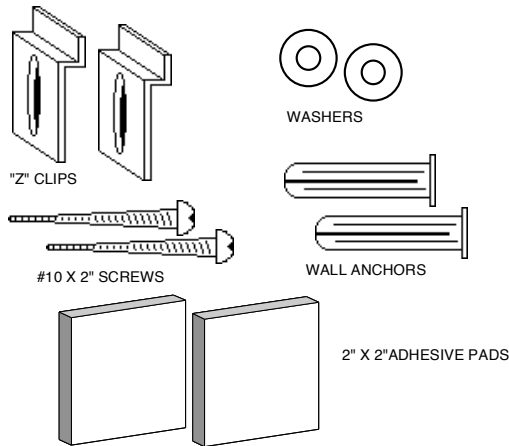
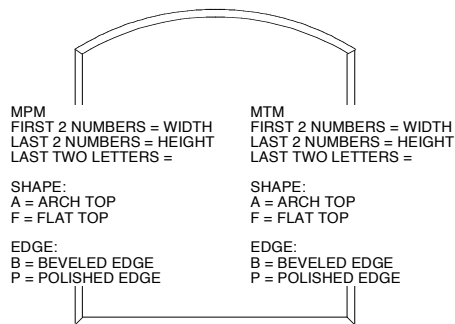
PRESS THE MIRROR FIRMLY INTO THE PAD. BE SURE MIRROR IS CORRECTLY SEATED ON CLIPS AND IN THE PROPER POSITION BEFORE SECURING PADS.

- INSTALL THE SHELF INTO THE BRACKETS AND TIGHTEN THE NYLON SET SCREWS.
- UNDER NO CIRCUMSTANCES SHOULD AN AMMONIA OR VINEGAR BASED CLEANER BE USED ON MIRRORS. USE ONLY A LINT FREE POLISHING CLOTH SLIGHTLY DAMPENED WITH WATER OR RUBBING ALCOHOL IF NECESSARY TO REMOVE STUBBORN STAINS.
- IF YOU SHOULD HAVE ANY PROBLEMS WITH YOUR MPM / MTM WALL MIRROR SYSTEM PLEASE CONTACT YOUR ROBERN DEALER. FOR OTHER QUESTIONS RELATING TO YOUR INSTALLATION CONTACT THE FACTORY AT:

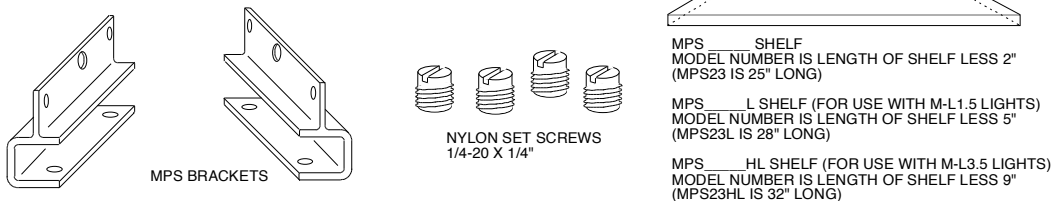
ROBERN, INC. 215 826.9800
701 N. WILSON AVE 800 877.2376
BRISTOL, PA 19007 FAX 215 826.9633

- PLEASE REFER TO THE PARTS LIST BELOW TO CORRECTLY IDENTIFY ALL PARTS.

PARTS LIST MPM WALL MIRROR



PARTS LIST MPS SHELF



NOTE 4:
WHEN USING AN MPS SHELF IN A STACKING SYSTEM REFER TO SHEET SS499 FOR MOUNTING INSTRUCTIONS.

THE MPS SHELF FOR STACKING HAS THE SUFFIX "F" AND IS ONLY AVAILABLE IN A 4" DEPTH FOR D6 OR D8 CABINETS ONLY.