

### Features

- Modular Vertically Mounted Light for M Series Cabinets
- Glass lens plane is flush with M Door
- Available as a single fixture - with dimmable driver
- Includes installation hardware for attaching to a cabinet
- Can be recessed or surface mounted (surface kit required)
- LEDs are CRI 90 and dimmable
- Available in Variable 3000K - 4000K Color

ML3.530ILSFMRD3  
ML3.530ILSFMRD4  
ML3.530ILSFMRDV

### Construction

- Aluminum Chassis and Light Frame
- Available in Satin Anodize Aluminum
- Front frosted mirror glass lens
- Lens attaches with set screw - top and bottom
- Internal light diffuser evenly distributes light
- Housing w/ Gasket - Matches cabinet and color
- Standard knock out for 1/2" cable connector
- Wired internally - Front access serviceability

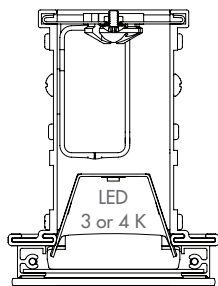
### Codes/Standards Applicable

Specified model meets or exceeds the following:

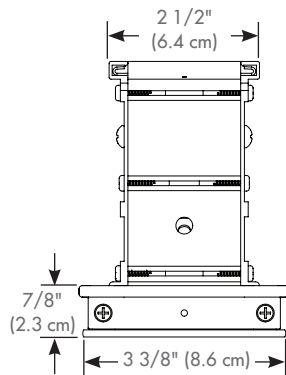
- ETL certified (damp locations) to:  
UL 1598  
CSA C22.2 NO.250.0

### Dimensions

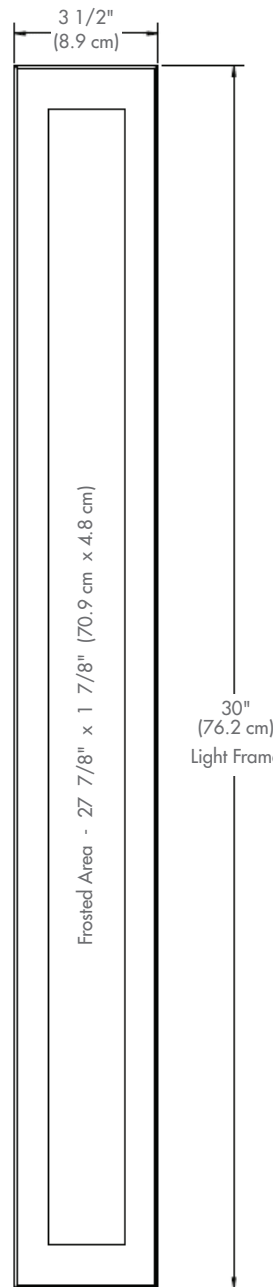
Height: 30" (76.2 cm)  
Width: 3-1/2" (8.9 cm)  
Depth: 4-5/8" (11.8 cm) - 7/8" (2.3 cm) Project from wall when recessed



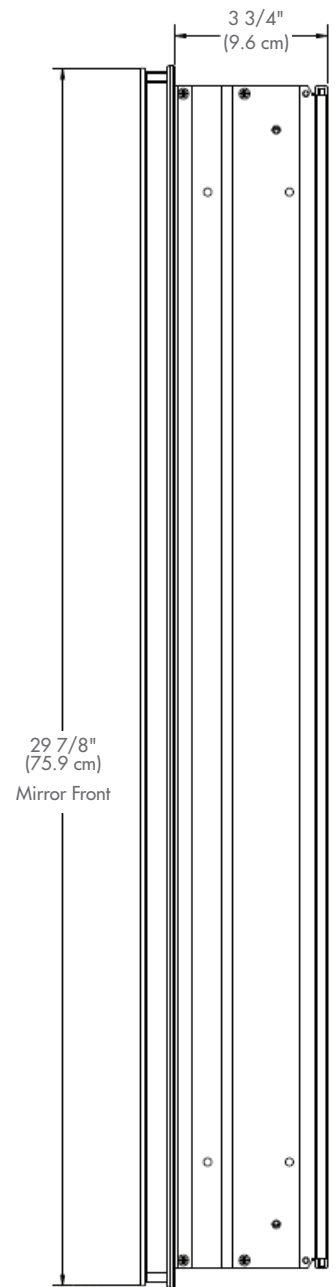
Cross Section



Top View



Front View



Side View

## Installation Options

### Recessed Mount

Rough Opening – 29-1/4" H x 2-3/4" W (74.3 cm H x 7 cm W)

**Surface Mount** - Reference Surface Mount Kit when ordering

MPSK30D4 – Beveled Mirror Kit

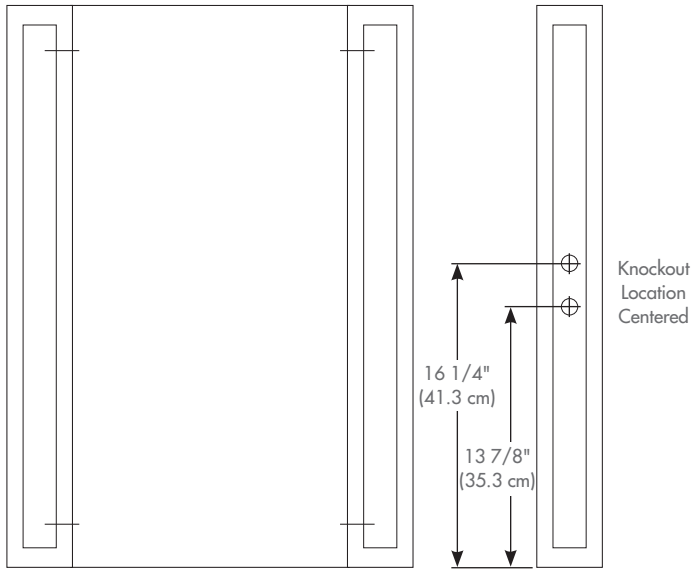
MPSK30D4P – Plain Mirror Kit

**Gangs to M Series 4" Cabinet** (D6 and D8 when recessed) - Reference

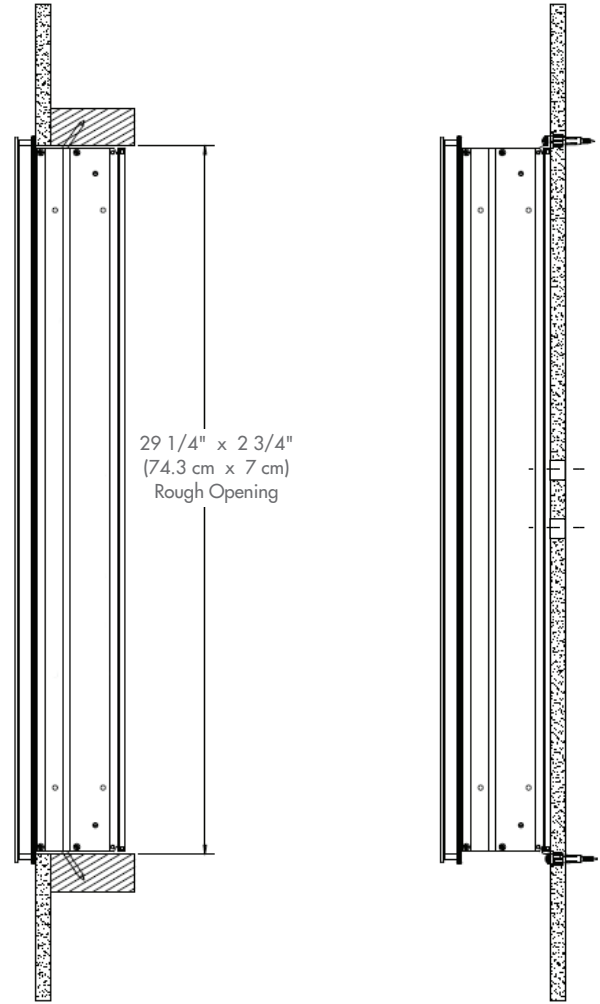
M Ganging Kit when ordering - MGKIT

## Electrical System

- 120 VAC 60HZ 30W (60W for "V" Model)
- Class 2- Dimming Transformer
- Line voltage dimming with specified dimmer control
- usETL and cETL Listed for Damp Locations
- Field wire location as shown in drawing
- Two 1/2" conduit (Ø 7/8" actual) electrical knockout locations shown below
- Robern recommends the Maestro® C•L® Dimmers from LUTRON®, Model # MACL-153M.
- "V" Model requires 2 dimmers and 3 wire + ground cable



Typical Ganged Arrangement



Recessed Mount

Surface Mount

29 1/4" x 2 3/4"  
(74.3 cm x 7 cm)  
Rough Opening

## Model Number Key

M Light	Width	Height	Model	Lamp Type	Accent Color	Lens	Finish	Ballast Type	Color
ML	3.5(3-1/2")	30"	I (InLine)	L (LED)	S (Silver)	F (Frosted)	M (Mirror)	D (Dimmable)	3 - 3,000K 4 - 4,000K V - 3+4K Mix