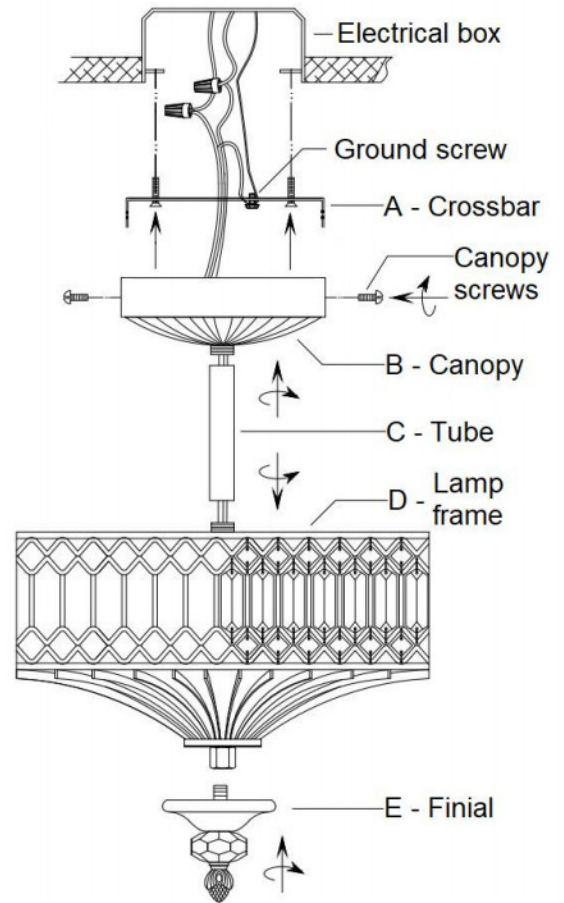




your global source for unique lighting + home decor

## ASSEMBLY INSTRUCTIONS

1. Place all parts on a flat smooth surface and start the Lamp assembly
2. Attach the Tube C to the Lamp Frame D (thread the wires through)
3. Thread the Canopy B to the Tube C (thread the wires through)
4. Install BULB(s) (Not included)  
**⚠ CAUTION** - Refer to the wattage caution label located near the lamp holder for maximum wattage - do not exceed the maximum wattage
5. Lamp installation  
**⚠ CAUTION** - Before starting the installation, disconnect the power by turning off the circuit breaker or by removing the fuse at the fuse box. Turning the power off using the light switch is not sufficient to prevent electrical shock
6. Install the Crossbar A to the ceiling outlet box using the provided screws
7. Wiring: using the provided Wire Connectors connect the Lamp BLACK wire to your installation POSITIVE wire, then connect the Lamp WHITE wire to the NEUTRAL. Lastly connect your house Ground wire and the Lamp BARE GROUND wire to the GROUND SCREW located in the Crossbar A
8. Gently push the wiring inside the electrical box, then lift the lamp from the Canopy B and using the two Canopy screws attach it to the Crossbar A
9. Finally install the shade to the Lamp frame using the Finial E



E26 Type A - 60W X 2 (Not included)

E26 CFL - 13W X 2 (Not included)

**CARE INSTRUCTIONS** - Use only a soft cloth; do not use any chemicals or abrasive cleaners.



MADE IN CHINA