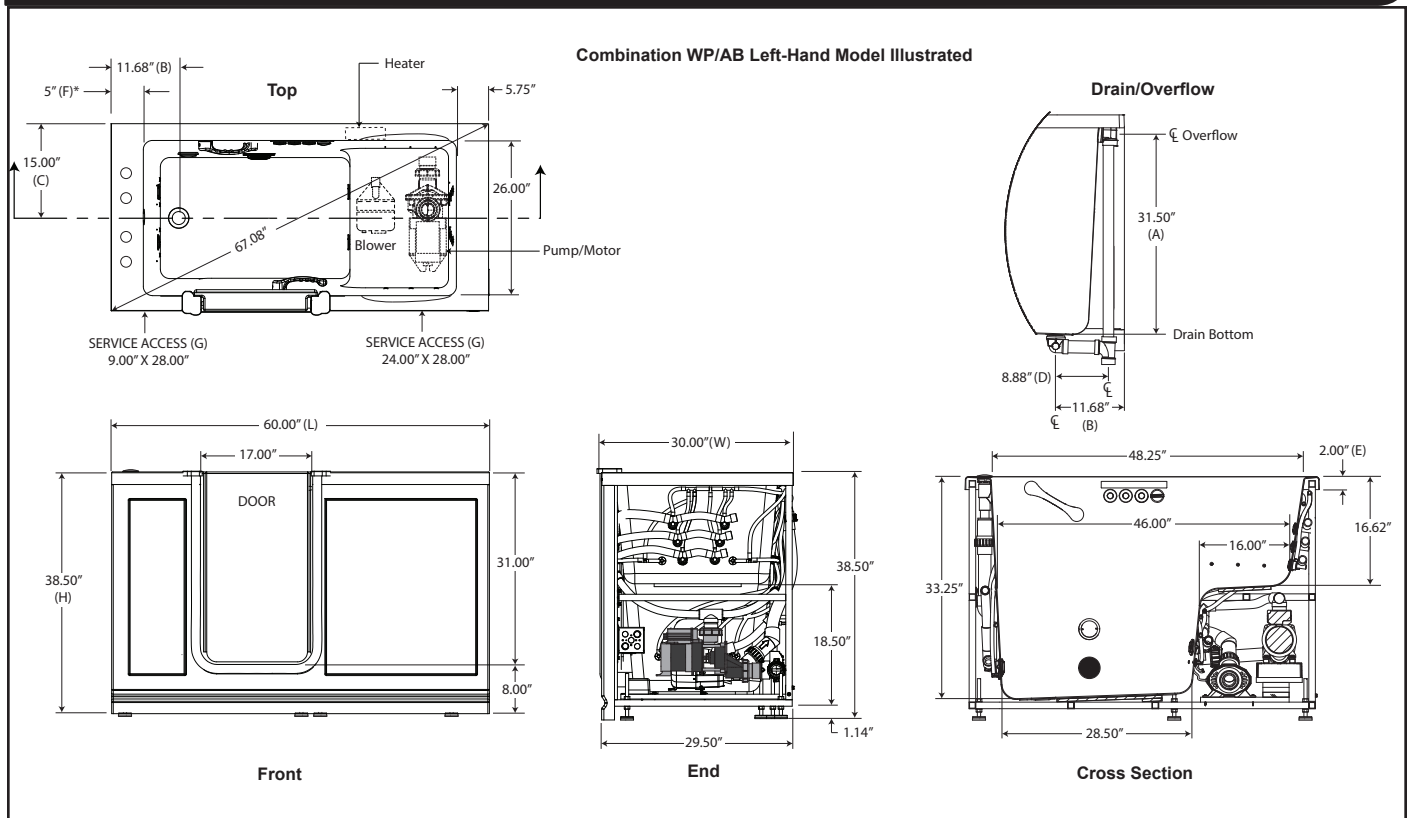


TECHNICAL SPECIFICATIONS

	Combination	Whirlpool	Soaking
Electrical Specifications	Device Power Requirements	Device Power Requirements	Device Power Requirements
Blower	120V, 5A, 60Hz, 200W Motor, 200W Heater	N/A	N/A
Pump/Motor (Ozone)	120V, 7A, 60Hz / (120V, 0.25A, 60Hz)	120V, 7A, 60Hz / (120V, 0.25A 60Hz)	N/A
Heater	120V, 12.5A, 60Hz, 1.5kW	120V, 12.5A., 60Hz, 1.5kW	N/A
Light	120V, 1.6A, 60Hz	N/A	N/A
GFCI-Protected Circuits	Two Dedicated 120V, 20A, 60Hz	Two Dedicated 120V, 20A, 60Hz	N/A
Dimensions			
Bath Weight (empty)	290 lbs (131 kg)	260 lbs / (117 kg)	230 lbs (104 kg)
Overall Dimensions (L) x (W) x (H)	60" L x 30" W x 38.5" H (1524mm L x 762mm W x 978mm H)		
Drain Location	Left Hand / Right Hand		
Total Weight (Floor Loading)	1473 lbs / 117.8 lbs/ft ²		
Operating Gallonage (Min-Max)	97 (Min) / 112 (Max) US Gallons (367 L (Min) / 424 L (Max))		
A. Overflow Height	31.50" (800mm)		
B. Drain Rough-In (From Side Wall)	11.68" (297mm)		
C. Drain Rough-In (From Back Wall)	15.00" (381mm)		
D. Drain Shoe Length	8.88" (224mm)		
E. Rim Height	2" (51mm)		
F. Deck Width*	5" (127mm) Note: Deck width reflects indicated area only.		
G. Service Access Dimensions	See Illustration Below		
H. Overall Height	38.50" (978mm)		
Water Heater Capacity (Minimum Recommended)	50 US Gallons (182 L)		

KEY DIMENSIONS



© 2016 by Jacuzzi Inc. • For additional information call Customer Service 844-883-2839 • www.ristorre.com
 Refer to installation instructions included with fixture before beginning installation. Please confirm product availability and specifications before commencing with any installation work.
 PRODUCT SPECIFICATIONS AND AVAILABILITY ARE SUBJECT TO CHANGE WITHOUT NOTICE.