

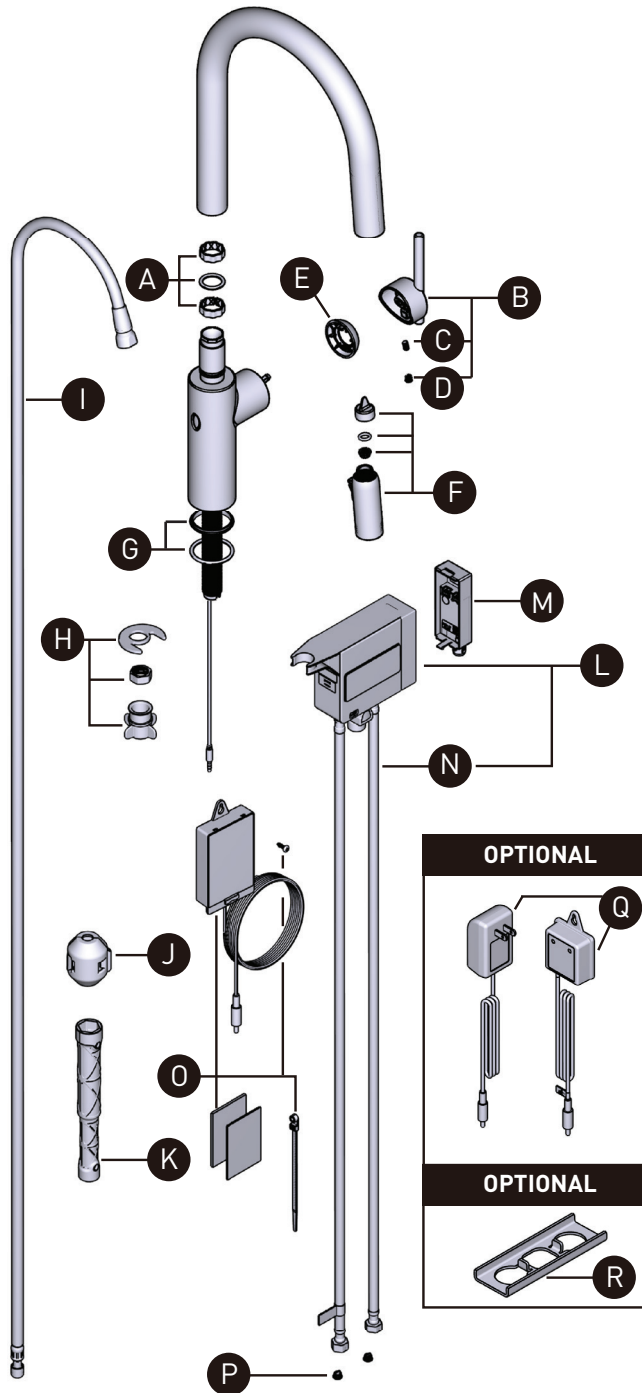
ORDER BY PART NUMBER

ILLUSTRATED PARTS

LT211

LATERAL

Touchless kitchen faucet with spray



ID	Kit Number	Finish
A	7-489	N/A
*B	210102	See below
C	209144	N/A
*D	209150	See below
*E	213367	See below
F	209145	N/A
G	210105	N/A
H	209151	N/A
I	210472	N/A
J	9-528	N/A
K	500-009	N/A
L	206496	N/A
M	209152	N/A
N	209147	N/A
O	209153	N/A
P	209148 (x2)	N/A
Q	U.CC80AC (Optional)	N/A
R	209149 (Optional)	N/A

***Finish Determined by Suffix**

Finish	Description
C	Chrome
SS	Stainless Steel
BK	Black
BG	Brushed Gold (PVD)

For warranty or additional information, contact:

US Customers

U.S.A.
houseofrohl.com/support
1-800-777-9762

Canadian Customers

QUEBEC / MARITIMES / WESTERN CANADA
QUÉBEC / MARITIMES / QUÉBEC CANADIEN
QUEBEC / MARITIMOS / CANADA OCCIDENTAL
houseofrohl.ca/support
1-866-473-8442

ONTARIO
houseofrohl.ca/support
1-800-287-5354

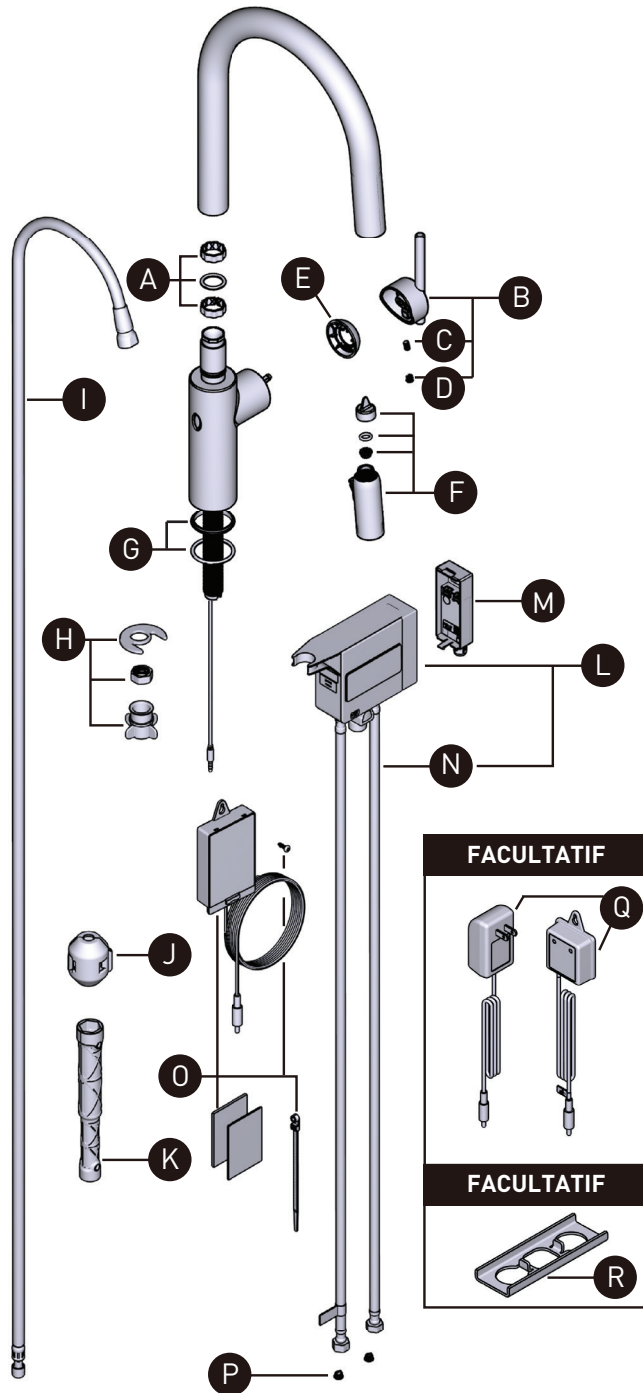
VEUILLEZ EFFECTUER VOTRE COMMANDE
PAR NO DE RÉFÉRENCE

ILLUSTRATIONS DES PIÈCES

LT211

LATERAL

Robinet de cuisine mains libres avec jet
de pulvérisation



ID	Référence du kit	Finition
A	7-489	N/A
*B	210102	Voir ci-dessous
C	209144	N/A
*D	209150	Voir ci-dessous
*E	213367	Voir ci-dessous
F	209145	N/A
G	210105	N/A
H	209151	N/A
I	210472	N/A
J	9-528	N/A
K	500-009	N/A
L	206496	N/A
M	209152	N/A
N	209147	N/A
O	209153	N/A
P	209148 (x2)	N/A
Q	U.CC80AC (Facultatif)	N/A
R	209149 (Facultatif)	N/A

***Finition déterminée par le Suffixe**

Finition	Description
C	Chrome poli
SS	Acier inoxydable
BK	Noir
BG	Or brossé (PVS)

For warranty or additional information, contact:

US Customers

U.S.A.
houseofrohl.com/support
1-800-777-9762

Canadian Customers

QUEBEC / MARITIMES / WESTERN CANADA
QUÉBEC / MARITIMES / OUEST CANADIEN
QUEBEC / MARITIMOS / CANADA OCCIDENTAL
houseofrohl.ca/support
1-866-473-8442

ONTARIO
houseofrohl.ca/support
1-800-287-5354

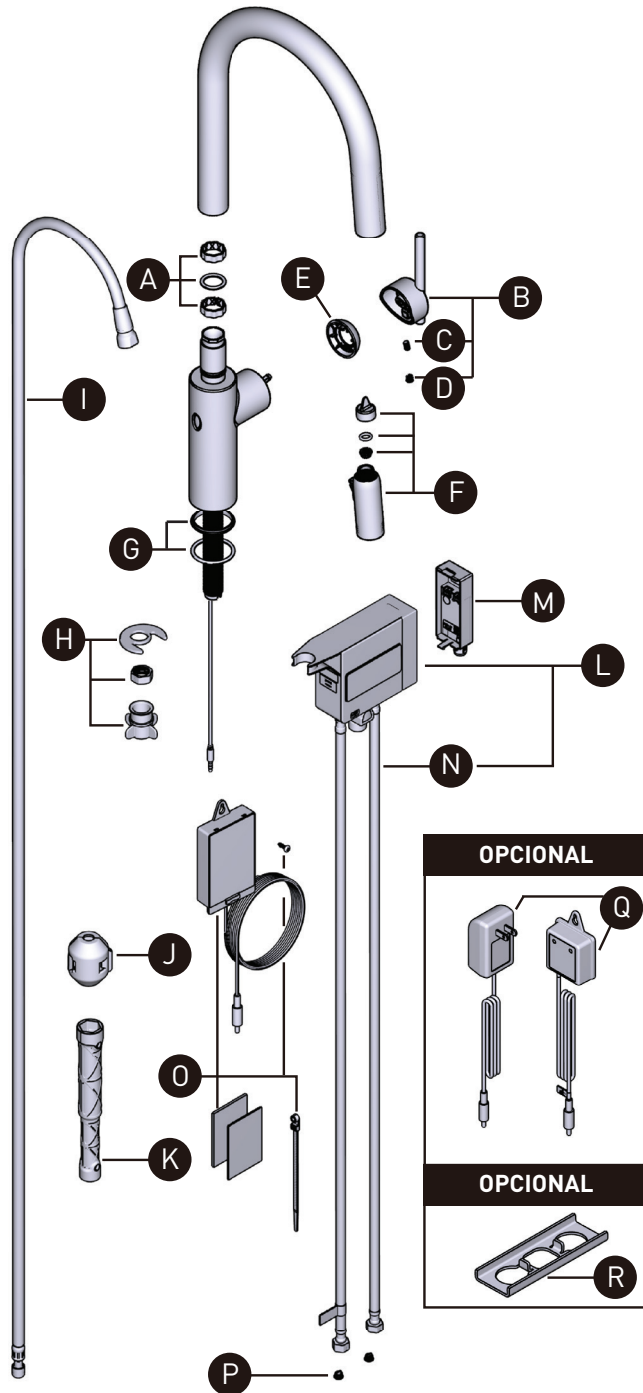
PEDIR POR NÚMERO DE REFERENCIA

PIEZAS ILUSTRADAS

LT211

LATERAL

Llave de cocina sin contacto con rociador



ID	Referencia del kit	Acabado
A	7-489	N/A
*B	210102	Ver más abajo
C	209144	N/A
*D	209150	Ver más abajo
*E	213367	Ver más abajo
F	209145	N/A
G	210105	N/A
H	209151	N/A
I	210472	N/A
J	9-528	N/A
K	500-009	N/A
L	206496	N/A
M	209152	N/A
N	209147	N/A
O	209153	N/A
P	209148 (x2)	N/A
Q	U.CC80AC (Opcional)	N/A
R	209149 (Opcional)	N/A

***Acabado determinado por el sufijo**

Acabado	Descripción
C	Cromo
SS	Acero inoxidable
BK	Negro
BG	Oro cepillado (PVD)

For warranty or additional information, contact:

US Customers

U.S.A.
houseofrohl.com/support
1-800-777-9762

Canadian Customers

QUEBEC / MARITIMES / WESTERN CANADA
QUÉBEC / MARITIMES / OUEST CANADIEN
QUEBEC / MARITIMOS / CANADA OCCIDENTAL
houseofrohl.ca/support
1-866-473-8442

ONTARIO
houseofrohl.ca/support
1-800-287-5354