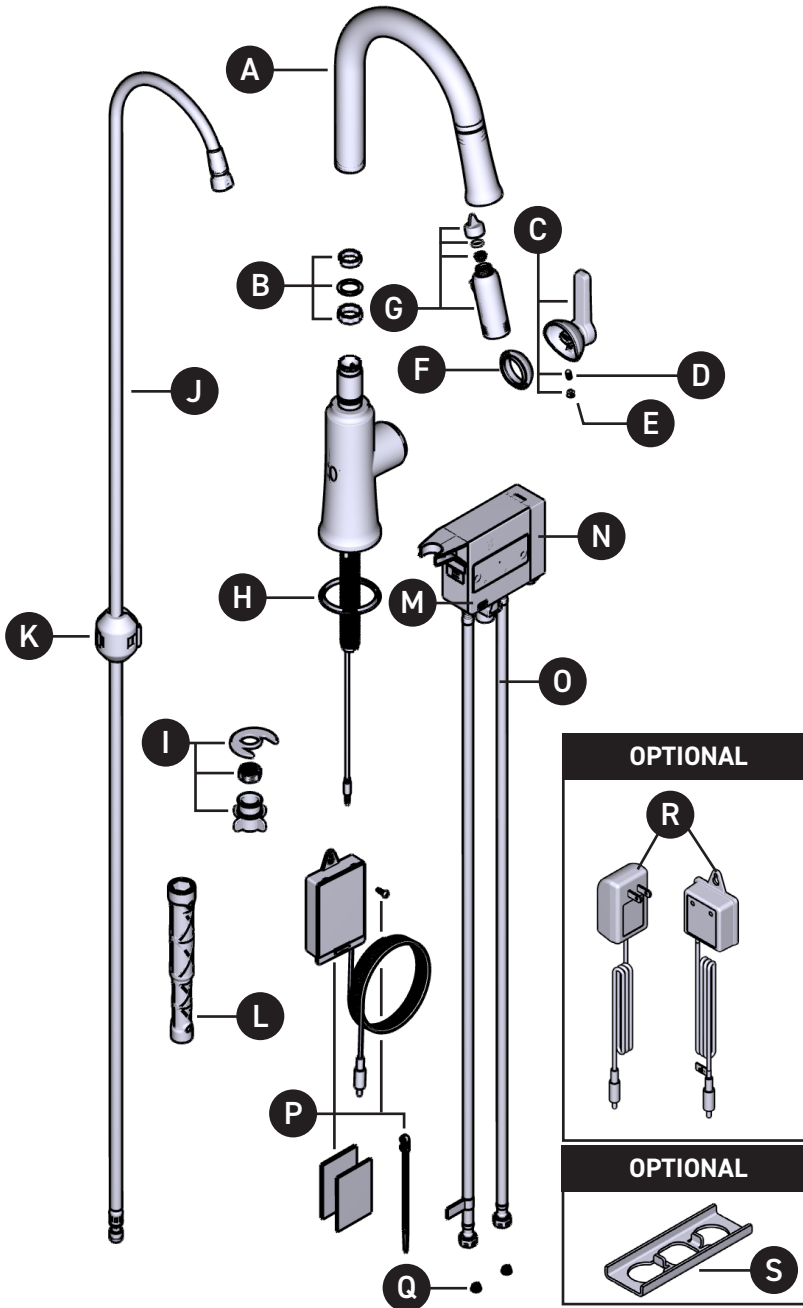


ORDER BY PART NUMBER

ILLUSTRATED PARTS

TTRD111

Trattoria™ Touchless Kitchen
Touchless Kitchen Faucet with Spray



ID	Kit Number	Finish
*A	3-771	See below
B	7-489	N/A
*C	206497	See below
D	209144	N/A
*E	209150	See below
*F	206495	See below
G	209145	N/A
H	209146	N/A
I	209151	N/A
J	210472	N/A
K	9-528	N/A
L	500-009	N/A
M	206496	N/A
N	209152	N/A
O	209147	N/A
P	209153	N/A
Q	209148	N/A
R	207366 (optional)	N/A
S	209149 (optional)	N/A

* Finish Determined by Suffix	
Finish	Description
C	Chrome
BG	Brushed Gold
BK	Black
SS	Stainless Steel

For warranty or additional information, contact:

US Customers

U.S.A.
HOUSEOFROHL.COM
1-800-777-9762

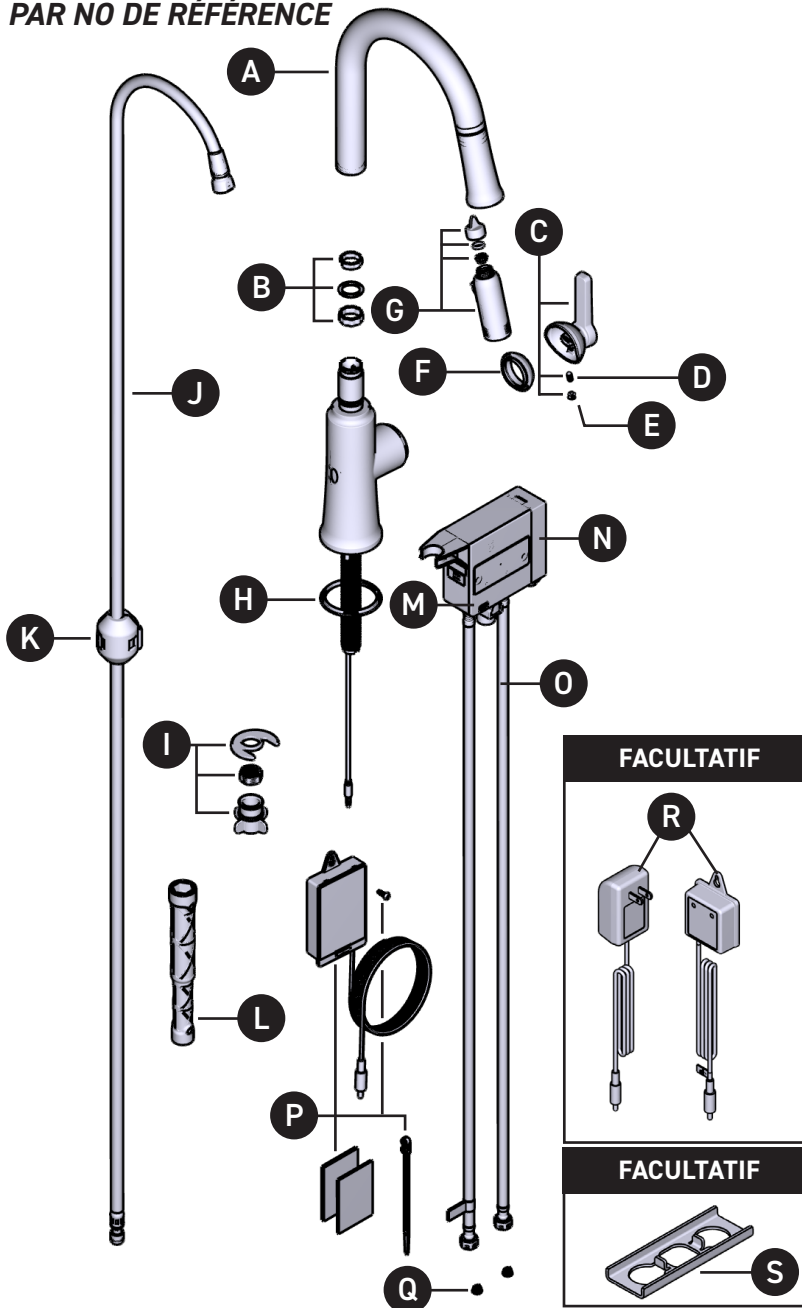
QUEBEC / MARITIMES / WESTERN CANADA
QUÉBEC / MARITIMES / QUEST CANADIAN
QUEBEC / MARITIMOS / CANADA OCCIDENTAL
HOUSEOFROHL.CA
1-866-473-8442

Canadian Customers

ONTARIO
HOUSEOFROHL.CA
1-800-287-5354

ILLUSTRATIONS DES PIÈCES

VEUILLEZ EFFECTUER VOTRE COMMANDE
PAR NO DE RÉFÉRENCE



TTRD111

Robinet de cuisine mains libres Trattoria™

Robinet de cuisine mains libres
avec jet de pulvérisation

ID	Référence du kit	Finition
*A	3-771	Voir ci-dessous
B	7-489	N/A
*C	206497	Voir ci-dessous
D	209144	N/A
*E	209150	Voir ci-dessous
*F	206495	Voir ci-dessous
G	209145	N/A
H	209146	N/A
I	209151	N/A
J	210472	N/A
K	9-528	N/A
L	500-009	N/A
M	206496	N/A
N	209152	N/A
O	209147	N/A
P	209153	N/A
Q	209148	N/A
R	207366 (Facultatif)	N/A
S	209149 (Facultatif)	N/A

* Finition déterminée par le Suffixe

Finition	Description
C	Chrome poli
BG	Or brossé
BK	Noir
SS	Acier inoxydable

For warranty or additional information, contact:

US Customers

U.S.A.
HOUSEOFROHL.COM
1-800-777-9762

QUEBEC / MARITIMES / WESTERN CANADA
QUÉBEC / MARITIMES / QUEST CANADIAN
QUEBEC / MARITIMOS / CANADA OCCIDENTAL
HOUSEOFROHL.CA
1-866-473-8442

Canadian Customers

ONTARIO
HOUSEOFROHL.CA
1-800-287-5354

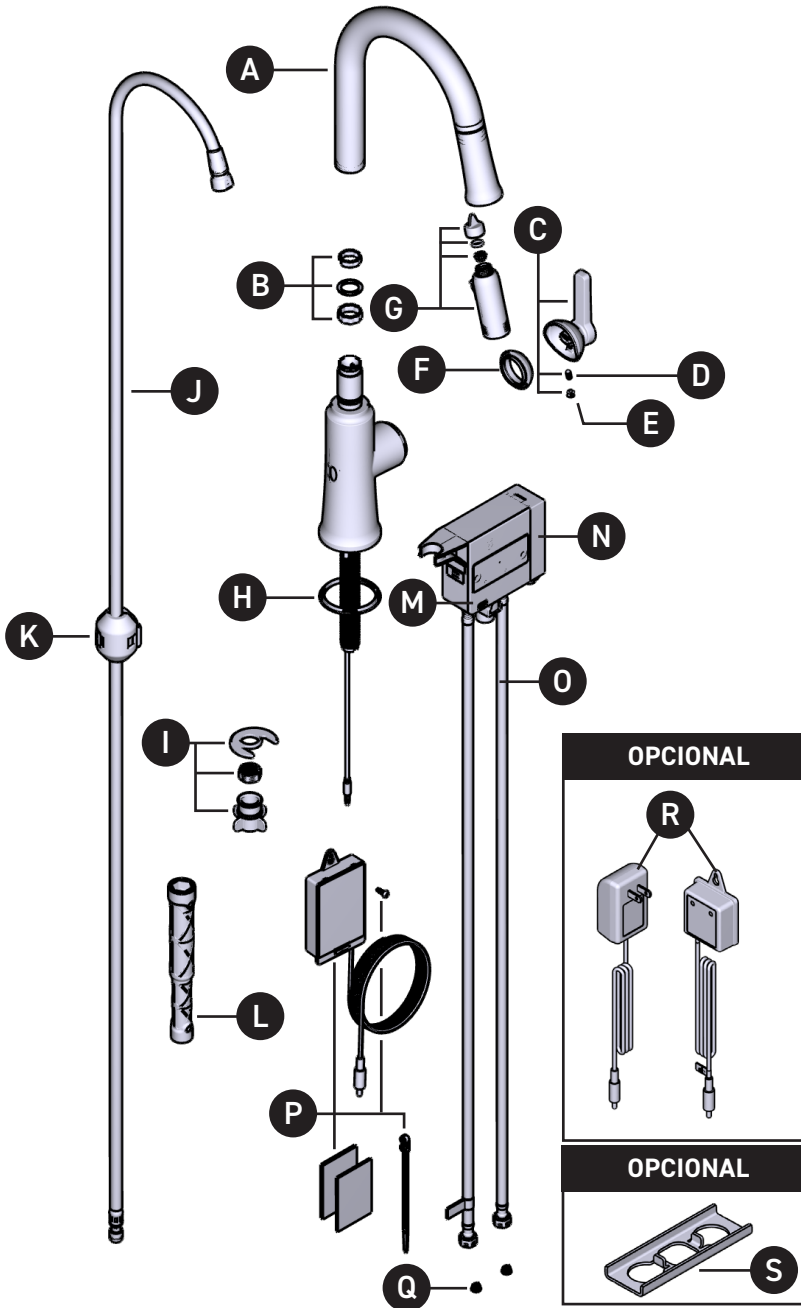
PEDIR POR NÚMERO DE REFERENCIA

PIEZAS ILUSTRADAS

TTRD111

Llave de cocina sin contacto Trattoria™

Llave de cocina sin contacto con rociador



ID	Referencia del kit	Acabado
*A	3-771	Ver más abajo
B	7-489	N/A
*C	206497	Ver más abajo
D	209144	N/A
*E	209150	Ver más abajo
*F	206495	Ver más abajo
G	209145	N/A
H	209146	N/A
I	209151	N/A
J	210472	N/A
K	9-528	N/A
L	500-009	N/A
M	206496	N/A
N	209152	N/A
O	209147	N/A
P	209153	N/A
Q	209148	N/A
R	207366 (Opcional)	N/A
S	209149 (Opcional)	N/A

* Acabado determinado por el sufijo	
Acabado	Descripción
C	Cromado brillante
BG	Oro cepillado
BK	Negro
SS	Acero inoxidable

For warranty or additional information, contact:

US Customers

U.S.A.
HOUSEOFROHL.COM
1-800-777-9762

QUEBEC / MARITIMES / WESTERN CANADA
QUÉBEC / MARITIMES / QUEST CANADIAN
QUEBEC / MARITIMOS / CANADA OCCIDENTAL
HOUSEOFROHL.CA
1-866-473-8442

Canadian Customers

ONTARIO
HOUSEOFROHL.CA
1-800-287-5354