



ORDER BY PART NUMBER

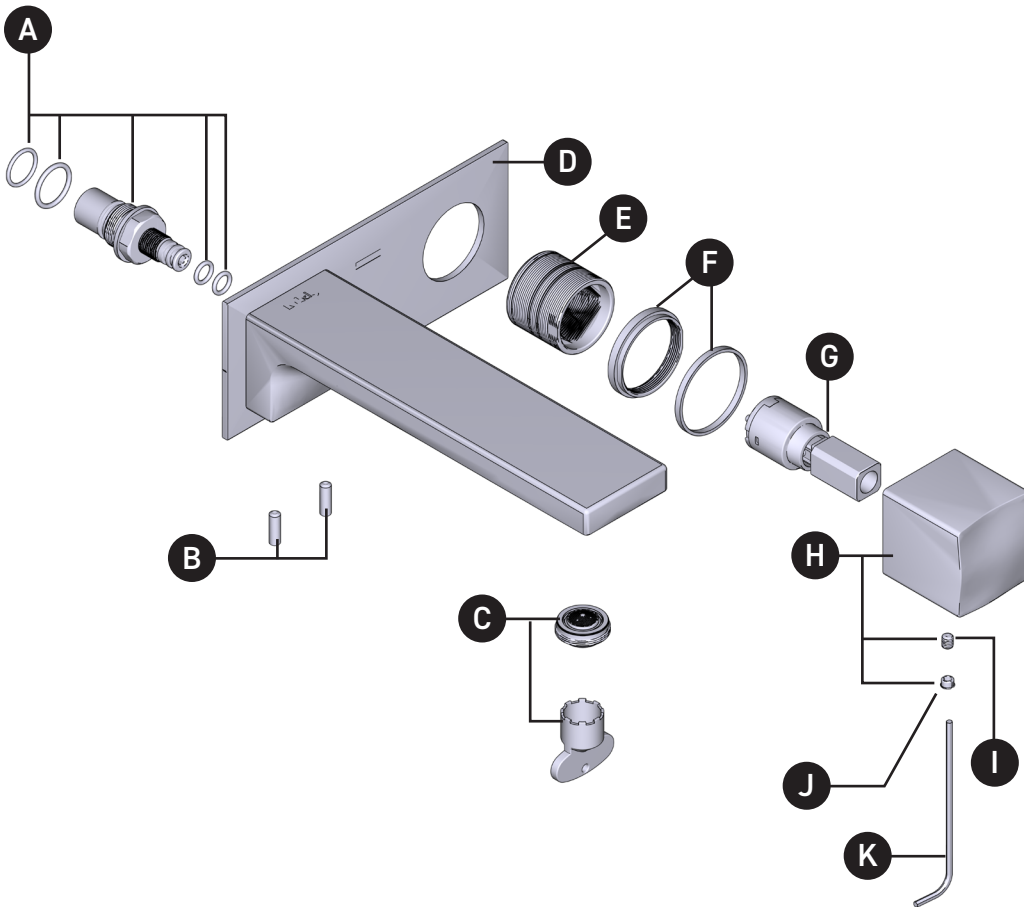
# Illustrated Parts

## TRF360

Reflet

360° Wall-Mount Lavatory Trim

ID	Kit Number	Finish
A	S7-691	N/A
B	S152-160 (x2)	N/A
C	S6-693-12 (1.2 gpm/4.6l/min)	N/A
	S6-693-05 (0.5 gpm/1.9l/min)	N/A
*D	S050-391	See below
E	S303-191	N/A
*F	207790	See below
G	S0-991	N/A
*H	S1-091	See below
I	S152-060	N/A
*J	S003-030	See below
K	S505-025	N/A



* Finish Determined by Suffix	
Finish	Description
C	Chrome
BG	Brushed Gold (PVD)
BN	Brushed Nickel (PVD)
BC	Brushed Chrome (PVD)

U.S.A.  
HOUSEOFROHL.COM  
1-800-777-9762

QUEBEC / MARITIMES / WESTERN CANADA  
QUÉBEC / MARITIMES / OUEST CANADIEN  
QUEBEC / MARITIMOS / CANADA OCCIDENTAL  
HOUSEOFROHL.CA  
1-866-473-8442

ONTARIO  
HOUSEOFROHL.CA  
1-888-287-5354

A DISTINCTIVE MEMBER OF THE HOUSE OF ROHL  
UN MEMBRE DISTINCTIF DE HOUSE OF ROHL  
MIEMBRO DISTINTIVO DE LA FAMILIA HOUSE OF ROHL