



# Specifications

## Descriptions

- Ceramic cartridge
- 1-jet hand shower/scale-free
- Drilling holes diameter = 4x 1 1/4 (32mm)
- G½" inlet male

## Available colors

- C : Chrome
- BN : Brushed Nickel (PVD)
- PN : Polished Nickel (PVD)

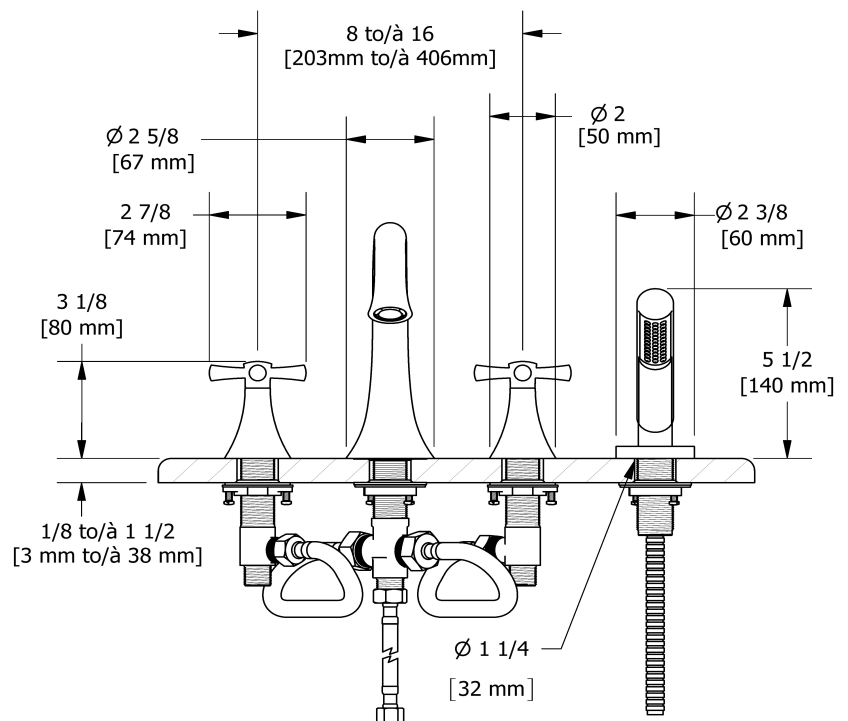
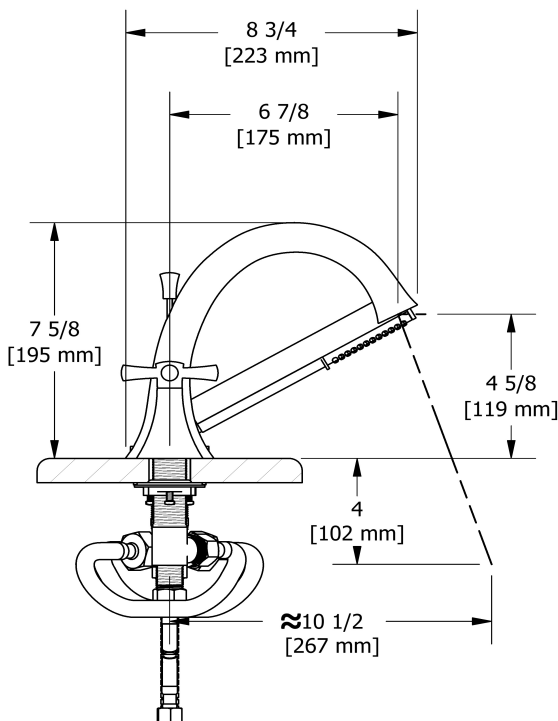
## Available flow

- 41.5 L/min, 11 gpm (US) 60psi

## Certifications

- CSA B125.1
- ASME A112.18.1
- CMR248 Approval
- ADA

4-piece deck-mount tub filler with hand shower  
**ED12+**



Sizes, models and finishes may differ from those presented.

## Warranty

This Riobel Inc. product you have purchased carries a Limited Lifetime Warranty on the chrome, PVD finish, blacks and all working parts and is guaranteed from the initial purchase date against all manufacturing defects. All other finishes, including plastic components, are guaranteed for one year. All electric and/or electronic parts are covered by a 5-year limited warranty. The warranty offered on our products will be honored only if the installation is performed by a certified master plumber.

## Customer Care

Phone (800) 777 - 9762 | Email: [customercare@houseofrohl.com](mailto:customercare@houseofrohl.com) | Website: [houseofrohl.com/support/contact-us](http://houseofrohl.com/support/contact-us)

Consult your local House of Rohl showroom for additional information and specifications. For complete warranty details and a list of showrooms, go to [houseofrohl.com](http://houseofrohl.com)