

## SPECIFICATIONS

### DESCRIPTION

- Rectangular slide bar
- Easy-Glide left cursor
- Scale-free
- 150 cm (59") double interlock flexible hose, swivel and 2 check valves
- 4365, 2-jet hand shower

### FLOW

- 7.6 L/min, 2.0 gpm (US) 60psi
- 5.69 L/min, 1.5 gpm (US) 60psi ( 4845-15 )
- 6.6L/min, 1.75 gpm (US) 60psi ( 4845-WS ) \*

\*EPA certification applicable to the indicated model only\*

### STANDARDS

- ASME A112.18.1 / CSA B125.1

### WARRANTY

- Most products or parts carry "Limited Warranties" against manufacturing defects. For US customers please visit [houseofrohl.com/support](http://houseofrohl.com/support) and for Canadian customers please visit [houseofrohl.ca/support](http://houseofrohl.ca/support) for complete product and finish warranty.

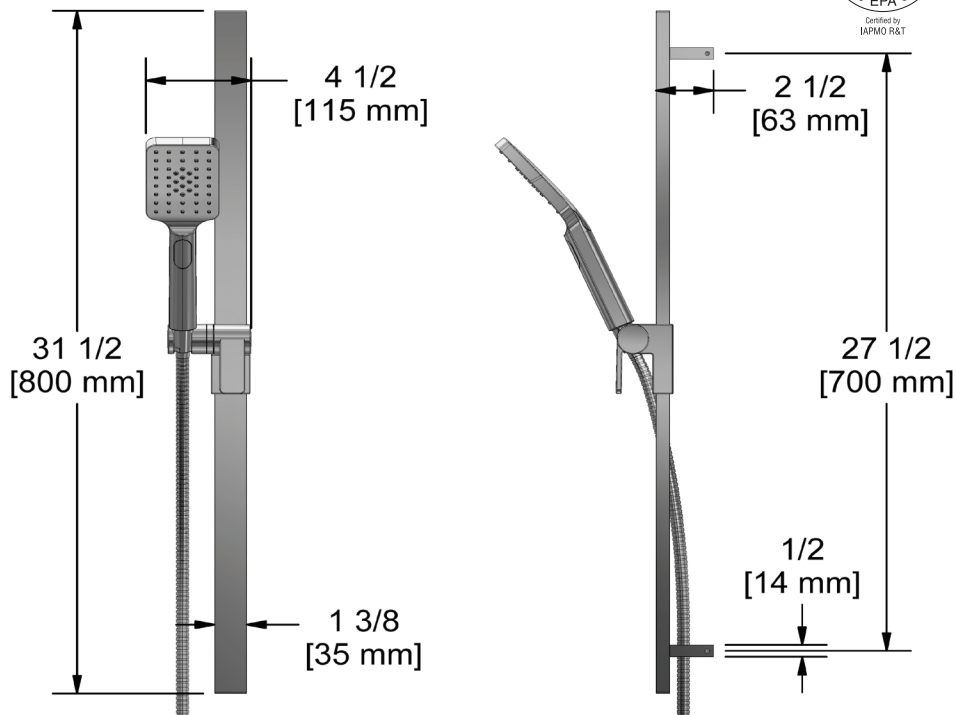


Hand shower rail

**MODELS:** 4845



UPC®



For warranty or additional information, contact:

US Customers

U.S.A.  
[houseofrohl.com/support](http://houseofrohl.com/support)  
1-800-777-9762

QUEBEC / MARITIMES / WESTERN CANADA  
QUÉBEC / MARITIMES / OUEST CANADIEN  
QUEBEC / MARITIMOS / CANADA OCCIDENTAL  
[houseofrohl.ca/support](http://houseofrohl.ca/support)  
1-866-473-8442

Canadian Customers

ONTARIO  
[houseofrohl.ca/support](http://houseofrohl.ca/support)  
1-800-287-5354

## SPÉCIFICATIONS

### DESCRIPTION

- Barre rectangulaire
- Curseur Easy-Glide à gauche
- Anticalcaire
- Boyau flexible 150 cm (59") double agrafe, écrou tournant avec 2 clapets anti-retour
- 4365, douchette 2 jets

### DÉBITS DISPONIBLES

- 7.6 L/min, 2.0 gpm (US) 60psi
- 5.69 L/min, 1.5 gpm (US) 60psi ( 4845-15 )
- 6.6L/min, 1.75 gpm (US) 60psi ( 4845-WS ) \*

\*EPA certification applicable to the indicated model only\*

### CERTIFICATIONS

- ASME A112.18.1 / CSA B125.1

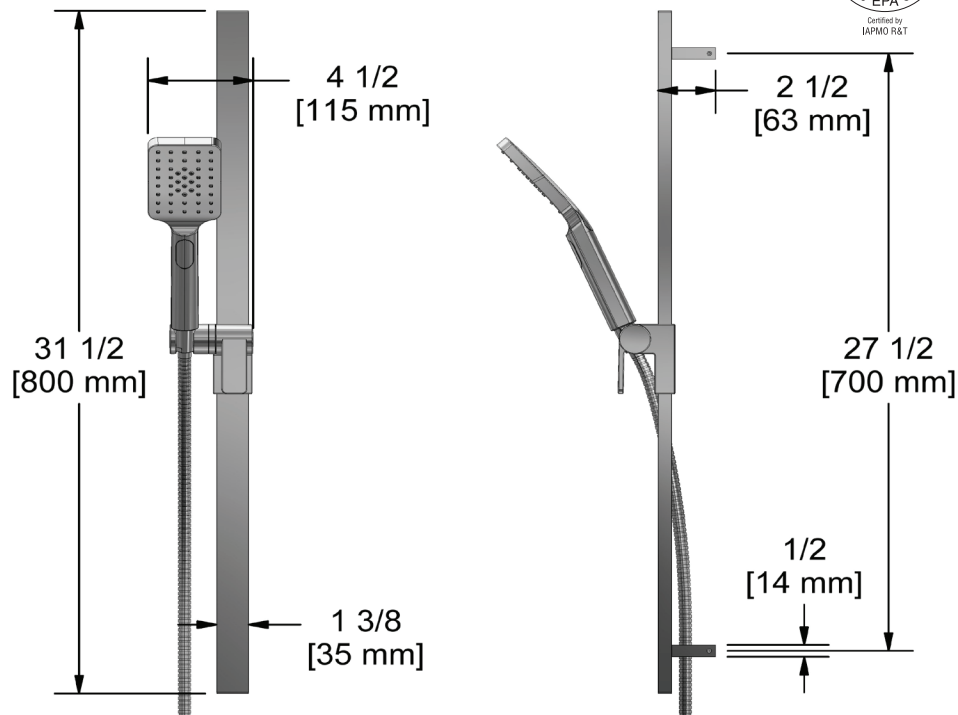
### GARANTIE

- La plupart des produits ou pièces comprend des «garanties limitées» contre les défauts de fabrication. Pour les clients des États-Unis: veuillez consulter [houseofrohl.com/support](http://houseofrohl.com/support); Pour les clients du Canada : veuillez consulter [houseofrohl.ca/support](http://houseofrohl.ca/support) pour connaître les conditions complètes de la garantie des produits et finis.



Douchette sur rail

**MODÈLES :** 4845



**For warranty or additional information, contact:**

**US Customers**

U.S.A.  
[houseofrohl.com/support](http://houseofrohl.com/support)  
 1-800-777-9762

QUEBEC / MARITIMES / WESTERN CANADA  
 QUÉBEC / MARITIMES / OUEST CANADIEN  
 QUEBEC / MARITIMOS / CANADA OCCIDENTAL  
[houseofrohl.ca/support](http://houseofrohl.ca/support)  
 1-866-473-8442

**Canadian Customers**

ONTARIO  
[houseofrohl.ca/support](http://houseofrohl.ca/support)  
 1-800-287-5354

## ESPECIFICACIONES

### DESCRIPCIÓN

- Barra de douche rectangular
- Soporte deslizante, sistema "Easy Glide"
- Anticalcárea
- Flexo de ducha reforzado de 150 cm(59"). Tuerca giratoria y 2 válvulas anti retorno.
- 4365, Ducha de mano 2 jets

### FLUJO

- 7.6 L/min, 2.0 gpm (US) 60psi
- 5.69 L/min, 1.5 gpm (US) 60psi ( 4845-15 )
- 6.6L/min, 1.75 gpm (US) 60psi ( 4845-WS ) \*

\*EPA certification applicable to the indicated model only\*

### ESTÁNDARES

- ASME A112.18.1 / CSA B125.1

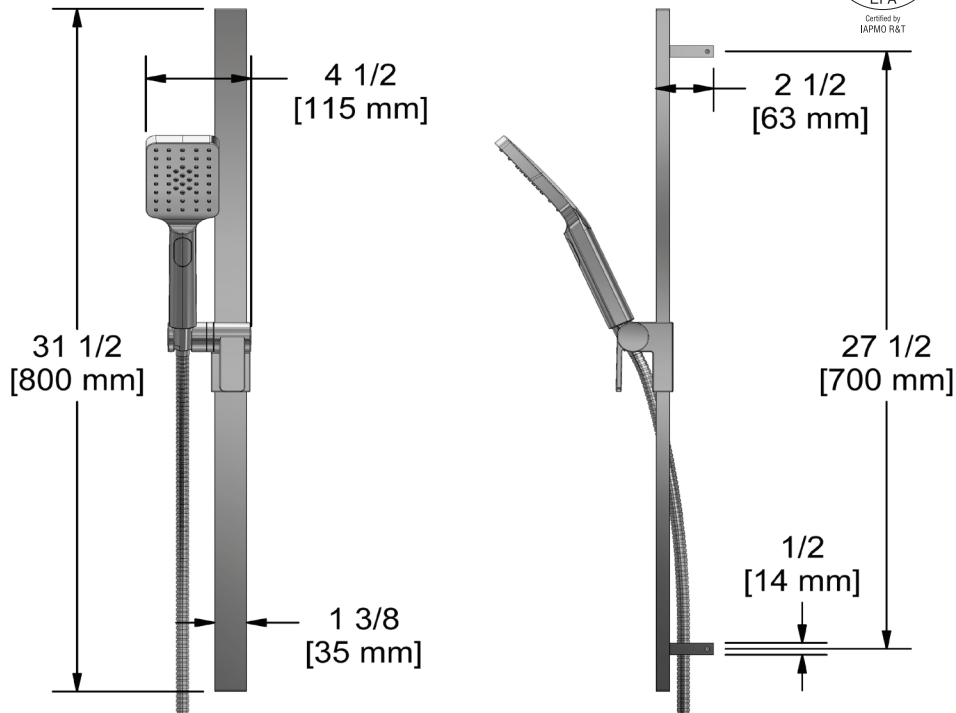
### GARANTÍA

- La mayoría de los productos o piezas cuentan con "Garantías Limitadas" por defectos de fabricación. A los clientes en EE. UU. se les recomienda visitar [houseofrohl.com/support](http://houseofrohl.com/support) y a los clientes en Canadá, [houseofrohl.ca/support](http://houseofrohl.ca/support), para consultar las condiciones completas de la garantía de los productos y acabados.



Barra de ducha de mano

**MODELOS:** 4845



For warranty or additional information, contact:

US Customers

U.S.A.  
[houseofrohl.com/support](http://houseofrohl.com/support)  
1-800-777-9762

QUEBEC / MARITIMES / WESTERN CANADA  
QUÉBEC / MARITIMES / OUEST CANADIEN  
QUEBEC / MARITIMOS / CANADA OCCIDENTAL  
[houseofrohl.ca/support](http://houseofrohl.ca/support)  
1-866-473-8442

Canadian Customers

ONTARIO  
[houseofrohl.ca/support](http://houseofrohl.ca/support)  
1-800-287-5354