

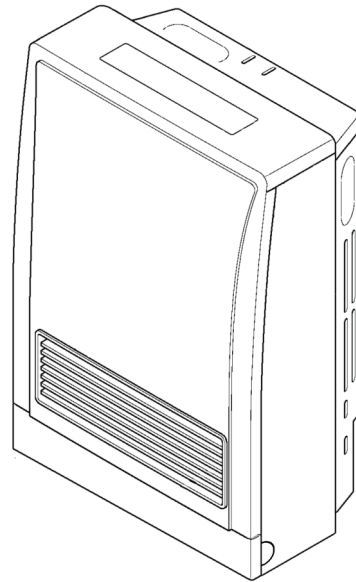


Direct Vent Wall Furnace Installation and Operation Manual

EX08CT.....(RHFE-202FTA2)

EX11CT.....(RHFE-265FTA2)

Installer: Leave this manual with the appliance.
Consumer: Retain this manual for future reference.



READ ALL OF THE INSTRUCTIONS THOROUGHLY BEFORE INSTALLING OR OPERATING THIS HEATER.

This manual provides information on the installation, operation, and maintenance of the heater. For proper operation and **safety**, it is important to follow the instructions and adhere to the safety precautions.

A licensed professional must install the fan convection heater according to the exact instructions within this manual.

The consumer must read the entire manual to properly operate the heater and to have regular maintenance performed.

⚠ WARNING If the information in these instructions is not followed exactly, a fire or explosion may result causing property damage, personal injury or death.

- Do not store or use gasoline or other flammable vapors and liquids in the vicinity of this or any other appliance.
- **WHAT TO DO IF YOU SMELL GAS**
 - Do not try to light any appliance.
 - Do not touch any electrical switch; do not use any phone in your building.
 - Immediately call your gas supplier from a neighbor's phone. Follow the gas supplier's instructions.
 - If you cannot reach your gas supplier, call the fire department.
- Installation and service must be performed by a licensed professional.

Register your product at www.rinnaregistration.com or call 1-866-RINNAI1 (746-6241)

Table of Contents

Table of Contents.....	2	Setting the Clock.....	27
Safety Definitions	2	Setting and Operating the Timers.....	27
Safety Behaviors and Practices for the Consumer and Installer.....	3	Override Function	27
Installation Instructions (for the licensed professional)		Economy (Energy Saving Mode)	28
State Regulations	4	Set Back.....	28
Included Installation and Vent Components	5	Humidifier and Air Flow Direction	29
Installation Instructions.....	6	Required Care and Maintenance	
Prepare for Installation	7	Care and Maintenance	30
Determine Installation Location.....	7	Before Making a Service Call	31
Flue Terminal Clearances	8	Diagnostic Codes and Remedies	32
Clearances to Combustibles	9	Restart Function.....	33
Checklist to Determine Installation Location	9	Troubleshooting	33
Drilling Flue Hole.....	10	Cut-Away Diagram.....	34
Flue Manifold Installation	10	Wiring Diagram	35
Extension Kit Installation	12	Ladder Diagram	36
Connecting the Appliance	15	Parts List	37
Gas Connection	16	Warranty	
Adjust Gas Pressure Settings	16	Warranty	46
Dimensions	20	French Version.....	49
Specifications	21		
Direct Vent Furnace Operation Instructions			
Safe Operation	23		
Getting to Know Your Appliance	24		
Control Panel	25		
ON / OFF	25		
Child Lock	25		
Remote Thermostat Mode (Optional Accessory).....	26		

NOTICE: Rinnai sometimes shares customer contact information with businesses that we believe provide products or services that may be useful to you. By providing this information, you agree that we can share your contact information for this purpose. If you prefer not to have your information shared with these businesses, please contact customer service and ask not to have your information shared. We will however, continue to contact you with information relevant to the product(s) you registered and/or your account with us.

If you have any questions or feel that the manual is incomplete contact Rinnai at 1-800-621-9419.

Important Safety Information

Safety Definitions



This is the safety alert symbol. This symbol alerts you to potential hazards that can kill or hurt you and others.



Indicates an imminently hazardous situation which, if not avoided, will result in death or serious injury.



Indicates a potentially hazardous situation which, if not avoided, could result in death or serious injury.



Indicates a potentially hazardous situation which, if not avoided, could result in minor or moderate injury. It may also be used to alert against unsafe practices.

Safety Behaviors and Practices for the Consumer and Installer

WARNING

- Repairs should be performed by a qualified service technician.
- Keep the area around the appliance clear and free from combustible materials, gasoline, and other flammable vapors and liquids.
- Never store liquid propane containers indoors.
- Do not use this appliance if any part has been under water. Immediately call a qualified service technician to inspect the appliance and to replace any part of the control system and any gas control which has been under water.
- This appliance is equipped with a three-prong plug for your protection against shock hazard and should be plugged directly into a properly grounded three-prong receptacle. Do not cut or remove the ground prong from this plug.
- Any alteration to the appliance or its controls can be dangerous.
- Do not operate appliance with the panels removed, cracked or broken. Replacement of the panels should be done by a licensed or qualified service person.

CAUTION

- Do not block the warm air discharge. Do not allow anyone to sleep directly in front of the appliance.
- Due to high temperatures, the appliance should be located out of traffic and away from furniture and draperies.
- Children and adults should be alerted to the hazards of high surface temperature and should stay away to avoid burns or clothing ignition.
- Young children should be carefully supervised when they are in the same room as the appliance.
- Clothing or other flammable material should not be placed on or near the appliance.
- Any safety screen or guard removed for servicing must be replaced prior to operating the appliance.
- Do not insert items into the louvers.
- Do not spray aerosols near the appliance while it is operating. Most aerosols contain butane gas which is flammable.
- Do not unplug the appliance while it is operating or while the fans are on.
- Do not use bare hands to touch the front louvers due to high temperatures which may cause burns.
- Wear hand protection when touching the side back covers, front louver, and rear intake for the convection fan.
- Prevent dust from accumulating on the power cord, side covers, and parts behind the appliance.
- Do not sit on the heater.
- Do not place containers of liquid on top of the heater. Water spillage can cause extensive damage to the appliance and may result in electric shock.

Installation Instructions (for the licensed professional)

State Regulations

NOTICE BEFORE INSTALLATION

Rinnai direct-vent appliance must be installed by a state qualified or licensed contractor and a properly trained Rinnai Installer. If you are not properly trained, you must not install this unit.

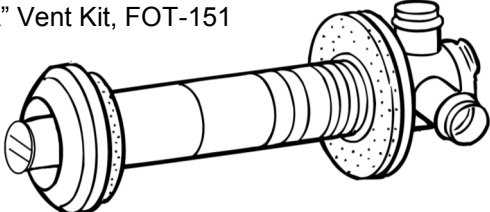
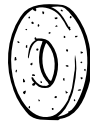
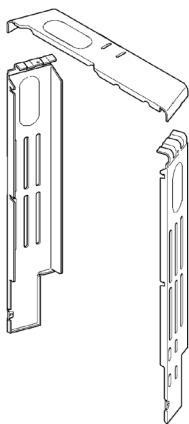


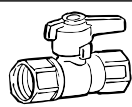





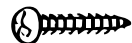


IMPORTANT: In the State of Massachusetts (248 CMR 4.00 & 5.00)

For all side wall horizontally vented gas fueled equipment installed in every dwelling, building or structure used in whole or in part for residential purposes, including those owned or operated by the Commonwealth and where the side wall exhaust vent termination is less than seven (7) feet above finished grade in the area of the venting, including but not limited to decks and porches, the following requirements shall be satisfied:

1. **INSTALLATION OF CARBON MONOXIDE DETECTORS.** At the time of installation of the side wall horizontal vented gas fueled equipment, the installing plumber or gasfitter shall observe that a hard wired carbon monoxide detector with an alarm and battery back-up is installed on the floor level where the gas equipment is to be installed. In addition, the installing plumber or gasfitter shall observe that a battery operated or hard wired carbon monoxide detector with an alarm is installed on each additional level of the dwelling, building or structure served by the side wall horizontal vented gas fueled equipment. It shall be the responsibility of the property owner to secure the services of qualified licensed professionals for the installation of hard wired carbon monoxide detectors
 - a. In the event that the side wall horizontally vented gas fueled equipment is installed in a crawl space or an attic, the hard wired carbon monoxide detector with alarm and battery back-up may be installed on the next adjacent floor level.
 - b. In the event that the requirements of this subdivision can not be met at the time of completion of installation, the owner shall have a period of thirty (30) days to comply with the above requirements; provided, however, that during said thirty (30) day period, a battery operated carbon monoxide detector with an alarm shall be installed.
2. **APPROVED CARBON MONOXIDE DETECTORS.** Each carbon monoxide detector as required in accordance with the above provisions shall comply with NFPA 720 and be ANSI/UL 2034 listed and IAS certified.
3. **SIGNAGE.** A metal or plastic identification plate shall be permanently mounted to the exterior of the building at a minimum height of eight (8) feet above grade directly in line with the exhaust vent terminal for the horizontally vented gas fueled heating appliance or equipment. The sign shall read, in print size no less than one-half (1/2) inch in size, "**GAS VENT DIRECTLY BELOW. KEEP CLEAR OF ALL OBSTRUCTIONS**".
4. **INSPECTION.** The state or local gas inspector of the side wall horizontally vented gas fueled equipment shall not approve the installation unless, upon inspection, the inspector observes carbon monoxide detectors and signage installed in accordance with the provisions of 248 CMR 5.08(2)(a)1 through 4.

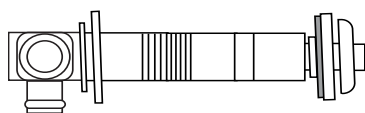
Included Installation and Venting Components

The following items are included with the appliance:

Flue Manifold1 "A" Vent Kit, FOT-151 		Spare rubber seal1 ('A' Flue units only)  (For weatherboard installations)			
Back Spacer Set		1	Pipe Stopper A		1
			Ring		1
			Manual Valve Set		1
			Plastic tie for air inlet		3
Owner's Manual		1	Clamp *		2
Screw (M4)	 For Back Spacer Set	4	Screw (M4)	 For Flue Manifold	3
Screw (M4)	 For Air Intake Clip / Spacer Bracket	4	Wood Screw (M4.8× 32)	 Wall Bracket Screws	5
Wall Bracket		1	Spacer Bracket		1

Flue Manifolds

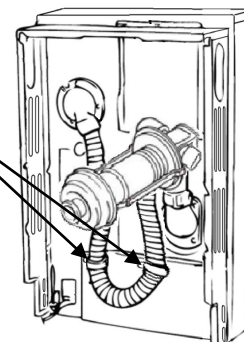
The following flue manifold sizes are available for different wall thicknesses:



(Vent Kit "A" is included with the appliance.)

Name	Kit No.	fits walls
S Vent Kit	FOT-150	3 - 4 1/2 in (75 - 115 mm)
A Vent Kit	FOT-151	4 1/2 - 9 1/2 in (115 - 240 mm)
B Vent Kit	FOT-152	9 1/2 - 15 3/4 in (240 - 400mm)
C Vent Kit	FOT-153	15 3/4 - 23 5/8 in (400 - 600 mm)
D Vent Kit	FOT-154	23 5/8 - 31 1/2 in (600 - 800 mm)

* These clamps should be located here



Installation Instructions

Installer Qualifications

A licensed professional must install the appliance, inspect it, and leak test it before use. The warranty will be voided due to any improper installation. The installer should have skills such as:

- Gas sizing.
- Connecting gas lines, valves, and electricity.
- Knowledge of applicable national, state, and local codes.
- Installing venting through a wall.
- Training in installation of direct vent furnaces. (Training can be accessed on-line at www.trainingevents.rinnai.us)

Type of installation

- For installation in residential and commercial applications.
- Certified for installation in manufactured (mobile) homes.

This appliance may be installed as an OEM installation in a manufactured home (USA only) or mobile home and must be installed in accordance with the manufacturer's instructions and the *Manufactured Home construction and Safety Standard, Title 24 CFR, Part 3280*, in the United States, or the *Mobile Home Standard, CAN/CSA Z240 MH Series*, in Canada.

This appliance may be installed in an aftermarket, permanently located, manufactured home (USA only) or mobile home, where not prohibited by local codes.

This appliance is only for use with the type of gas indicated on the rating plate. This appliance is not convertible for use with other gases, unless a certified kit is used.

NOTICE If installation is at a location above 2001 ft (610 m), then follow the Adjust Gas Pressure Settings procedure.

Appliance input ratings are based on sea level operation and need not be changed for operation up to 2000 ft (610 m) elevation.

General Instructions

- This appliance discharges a large volume of warm air next to the floor. Any particles in the air such as cigarette smoke could cause discoloration in nylon carpets containing dyes or vinyl surfaces.
- Rinnai suggests that a dedicated electrical circuit with a 120VAC, 60 Hz, 10 amp power source be used.

- A test plug is provided for testing of manifold differential pressure. It is located on the modulating gas valve.

MUST DO

- If you move, check the gas type in your new area. The local gas authority will be able to advise on local regulations.
- The installation must conform with local codes or, in the absence of local codes, with the *National Fuel Gas Code, ANSI Z223.1/NFPA 54*, or the *Natural Gas and Propane Installation Code, CSA B149.1*.
- A manufactured home (USA only) or mobile home OEM installation must conform with the *Manufactured Home Construction and Safety Standard, Title 24 CFR, Part 3280*, or, when such a standard is not applicable, the standard for *Manufactured Home Installations, ANSI Z225.1*, or the standard for *Gas Equipped Recreational Vehicles and Mobile Housing, CSA Z240.4*.
- The appliance, when installed, must be electrically grounded in accordance with local codes or, in the absence of local codes, with the *National Electrical Code, ANSI/NFPA 70*, or the *Canadian Electrical Code, CSA C22.1*.
- The appliance and its appliance main gas valve must be disconnected from the gas supply piping system during any pressure testing of that system at test pressures in excess of 1/2 psi (3.5 kPa).
- The appliance must be isolated from the gas supply piping system by closing its equipment shutoff valve during any pressure testing of the gas supply piping system at test pressures equal to or less than 1/2 psi (3.5 kPa).
- If the flooring is carpet or other combustible material other than wood, then the appliance must be installed on a metal or wood panel extending the full width and depth of the appliance.
- This appliance is only for use with the type of gas indicated on the rating plate. This appliance is not convertible for use with other gases unless a certified kit is used. If conversion of the unit is needed, conversions must be performed by a qualified service provider at the owner's expense.
- The appliance should be correctly sized for the space it is required to heat. It is recommended that an Industry standard BTU Heat Loss Calculation be conducted to determine the proper sizing.
- Follow the installations instructions and those in *Care and Maintenance* for adequate combustion and ventilation air.

DO NOT

- This appliance is not designed to be built in.
- This appliance must not be connected to a chimney flue serving a separate solid-fuel burning appliance.
- The flow of combustion and ventilation air shall not be obstructed.

WARNING

Do not use substitute materials.

Use only parts certified with the appliance.

Prepare for Installation

Tools needed

- Pipe wrenches (2)
- Adjustable pliers
- Screwdrivers (2)
- Wire cutters
- Gloves
- Safety glasses
- Level

Tools that might be needed

- Hammer drill with concrete bits
- Saw
- Threading machine with heads and oiler
- Core drill with diamond head
- Torch set
- Copper tubing cutter
- Steel pipe cutter

Materials needed

- Soap or gas leak detector solution
- Approved venting
- Teflon tape (recommended) or pipe compound

Materials that may be needed

- Heat tape
- Pipe insulation
- Concrete wall anchors
- Optional pipe cover
- Optional temperature controller
- 2 conductor 22 AWG wire for controller
- Single gang electrical box
- Wire nuts

Determine Installation Location

You must ensure that clearances will be met and that the vent length will be within required limits. Consider the installation environment. Requirements for the gas line and electrical connection can be found in their respective installation sections of this manual.

Environment

Air surrounding the venting, and vent termination(s) is used for combustion and must be free of any compounds that cause corrosion of internal components. These include corrosive compounds that are found in aerosol sprays, detergents, bleaches, cleaning solvents, oil based paints/ varnishes, and refrigerants.

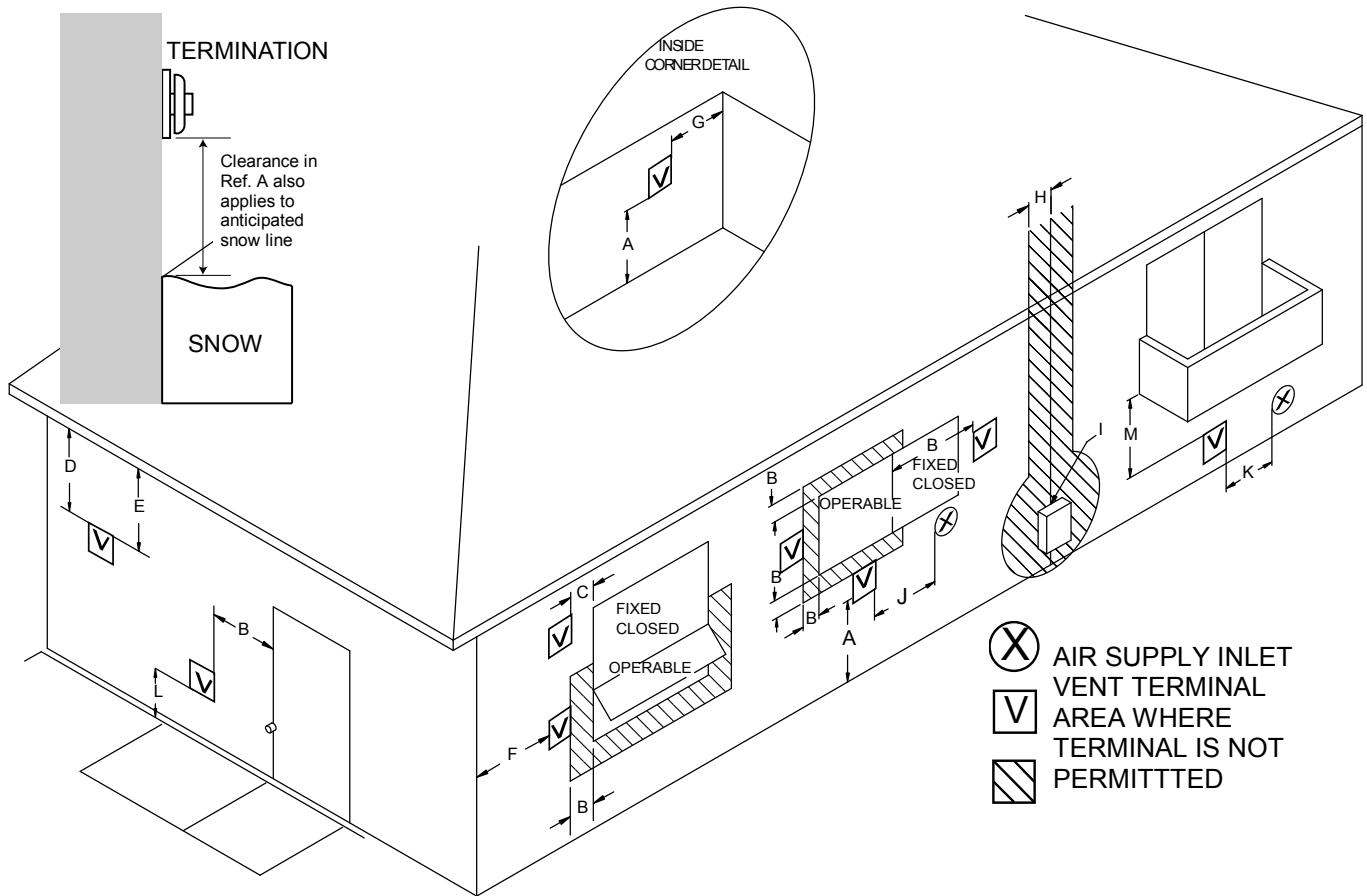
The furnace, venting, and vent termination(s) should not be installed in any areas where the air may contain these corrosive compounds. If it is necessary for a furnace to be located in areas that may contain corrosive compounds, the following instructions are strongly recommended.

IMPORTANT CONSIDERATIONS FOR:

- **DO NOT** Install in areas where air for combustion might be contaminated with chemicals.
- Before installation, consider where air has the ability to travel within the building to the furnace.
- Terminate the unit as far away as possible from any air inlet vents. Corrosive fumes may be released through these vents when air is not being brought in through them.
- Chemicals that are corrosive in nature should not be stored or used near the furnace or vent termination.

Damage and repair due to corrosive compounds in the air is not covered by warranty.

Flue Terminal Clearances



Ref	Description	Canadian Installations	US Installations
A	Clearance above grade, veranda, porch, deck, or balcony	12 inches (30 cm)	12 inches (30 cm)
B	Clearance to window or door that may be opened	EX08CT - 6 inches (15 cm) EX11CT - 9 inches (23 cm)	EX08CT - 6 inches (15 cm) EX11CT - 9 inches (23 cm)
C	Clearance to permanently closed window	*	*
D	Vertical clearance to ventilated soffit, located above the terminal within a horizontal distance of 2 feet (61 cm) from the center line of the terminal	*	*
E	Clearance to unventilated soffit	*	*
F	Clearance to outside corner	*	*
G	Clearance to inside corner	*	*
H	Clearance to each side of center line extended above meter/regulator assembly	3 feet (91 cm) within a height 15 feet (4.5 m) above the meter/regulator assembly	*
I	Clearance to service regulator vent outlet	36 inches (91 cm)	*
J	Clearance to non-mechanical air supply inlet to building or the combustion air inlet to any other appliance	EX08CT - 6 inches (15 cm) EX11CT - 9 inches (23 cm)	EX08CT - 6 inches (15 cm) EX11CT - 9 inches (23 cm)
K	Clearance to a mechanical air supply inlet	6 feet (1.83 m)	3 feet (91 cm) above if within 10 feet (3 m) horizontally
L	Clearance above paved sidewalk or paved driveway located on public property	7 feet (2.13 m) ①	*
M	Clearance under veranda, porch, deck, or balcony	12 inches (30 cm) ②	*

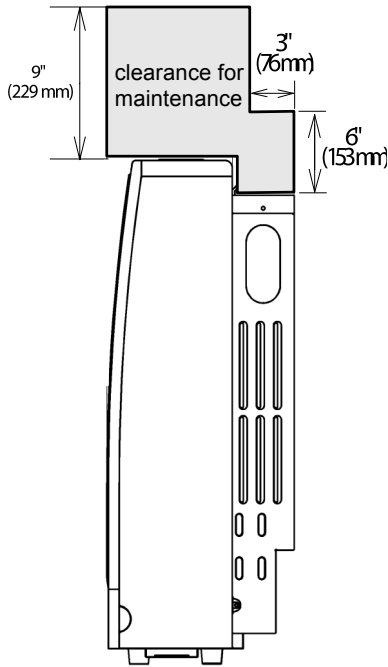
[1] A vent shall not terminate directly above a sidewalk or paved driveway that is located between two single family dwellings and serves both dwellings.

[2] Permitted only if veranda, porch, deck, or balcony is fully open on a minimum of two sides beneath the floor.

* For clearances not specified in *ANSI Z223.1/NFPA 54*, clearances are in accordance with local installation codes and the requirements of the gas supplier.
Clearance to opposite wall is 24 inches (60 cm).

Additional Clearances

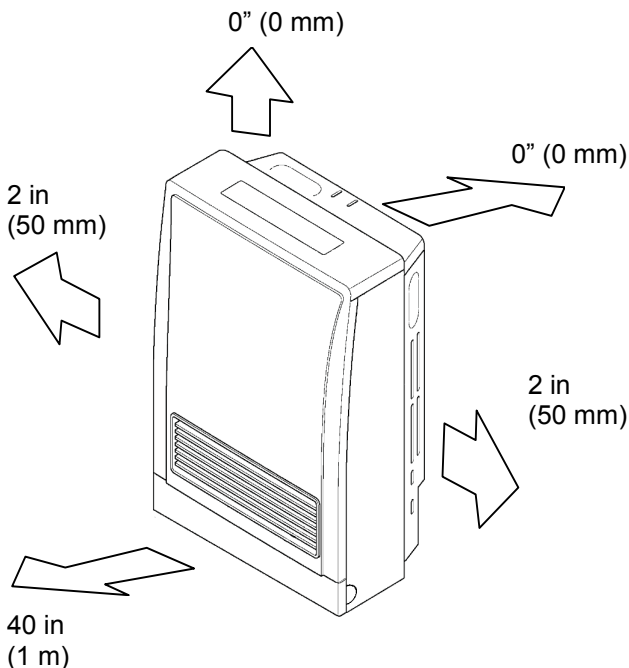
Clearances to access the appliance during servicing are 10 inches (254 mm) from the sides, 40 inches (1 m) from the front, and the area shown above the appliance in the picture.



Clearances to Combustibles

When determining where to install the appliance the clearances to combustibles shown in the figure must be followed. Also refer to the Safety Behaviors and Practices section.

Rinnai recommends 10" (254 mm) clearance from the top and on both sides for servicing.



NOTICE

The 40 inch (1 meter) clearance from the front of the appliance does not include flooring material or carpeting that is less than 1.2 inches (30 mm) in height.

Checklist to Determine Installation Location

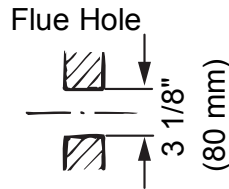
- The furnace is not exposed to corrosive compounds in the air.
- The furnace location complies with the clearances.
- The planned venting will not exceed the maximum length for the number of elbows used.
- The planned venting termination/air intake location meets the clearances.
- Indoor air is not being used for combustion.
- A standard 3 prong 120 VAC, 60 Hz properly grounded wall outlet.
- The installation must conform with local codes or, in the absence of local codes, with the *National Fuel Gas Code, ANSI Z223.1/NFPA 54*, or the *Natural Gas and Propane Installation Code, CSA B149.1*. If installed in a manufactured home, the installation must conform with the *Manufactured Home Construction and Safety Standard, Title 24 CFR, Part 3280* and/or *CAN/SCA Z240 MH Series, Mobile Homes*.
- Leave the entire manual with the consumer.**

Drilling Flue Hole

Ensure that there are no gas or water lines, or electrical circuits in the wall location where the flue hole is to be drilled. Drill the flue hole using a 3 1/8 inch (80 mm) drill. The center of the hole must be located exactly at the specified point.

See diagram. For weatherboard walls, drill through the center of the weatherboard from the outside first and then through the plasterboard. A template is provided.

For installation without using extension kits, the configuration of the flue manifold, air intake hose, and exhaust slide pipe should be as shown when installation is completed. The 60 degree arc shows where the flue manifold can be located.



NOTICE	Use a template (included) to determine allowable location of the flue hole.
---------------	---

Flue Manifold Installation

- The flue manifold must exhaust to the outside. Do not exhaust into other rooms.
- The flue manifold is not designed to be positioned under floors or below the heater.
- The termination cannot be vertical.
- This appliance can only be used with one of the five types of Rinnai flue kits. The flue kits and their dimensions are listed in the Specifications section.
- Refer to the Flue Terminal Clearances section.

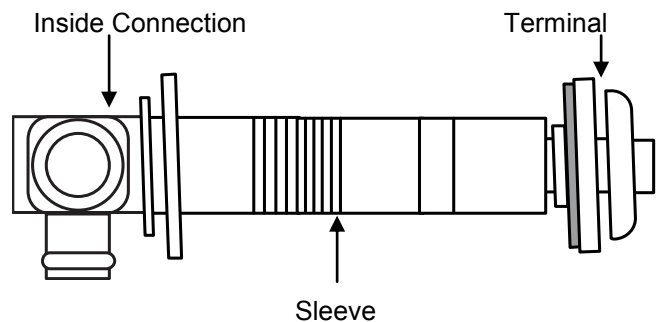
1. Disassemble the flue manifold

The flue consists of 3 parts:

- sleeve
- inside connection
- outside terminal

Disassemble the flue manifold by first pulling out the inside connection. To remove the outer terminal pull and release the two internal ties and then pull out the outer terminal.

Clearance to combustibles for the sleeve and flanges is zero inches.



2. Adjust the sleeve length

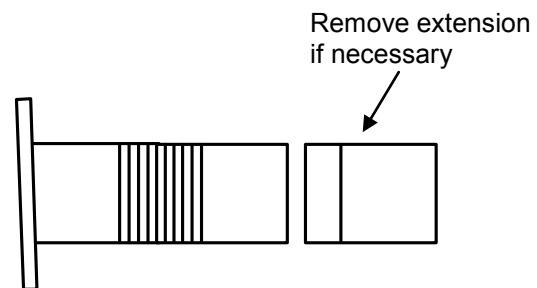
Measure wall thickness through previously drilled 3 1/8 inch (80 mm) hole.

The end of the sleeve should protrude 3/16 - 3/8 inch (5-10 mm) from the outside wall.

The sleeve is threaded for adjustment. Adjust the sleeve length to wall thickness plus 3/16 - 3/8 inch (5-10 mm).

NOTE: Do not extend beyond the red line.

For other than the "S" type flue manifold, if a shorter length is necessary an extension can be removed. Cut the outer plastic laminate (with a utility knife or similar) and remove the extension. The metal should not be cut.

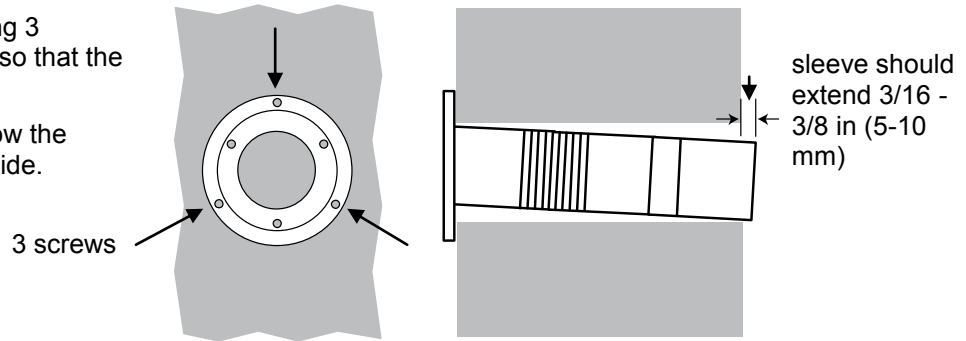


Flue Manifold Installation

3. Attach the sleeve

Attach to the inside wall using 3 screws arranging the flange so that the marking "TOP" is at the top.

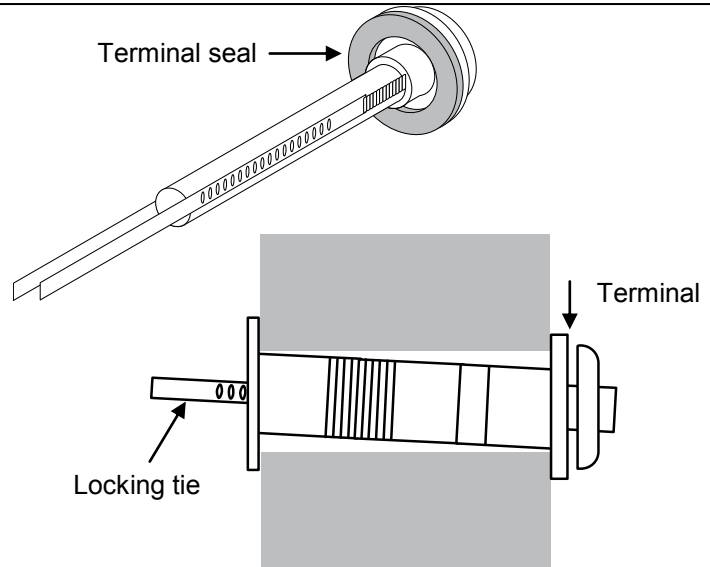
The flange is offset 2° to allow the condensate drain to the outside.



4. Install the Terminal

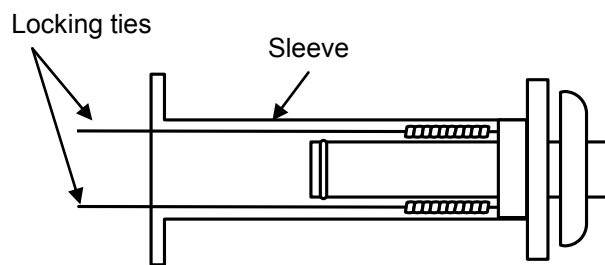
Check that the terminal seal is in place. For weatherboard walls, add the second seal next to the terminal seal to compensate for weather board angle.

From the outside insert the terminal into the sleeve with the marking "TOP" at the top. The left hand side locking tie should be marked "LEFT".



5. Lock the ties

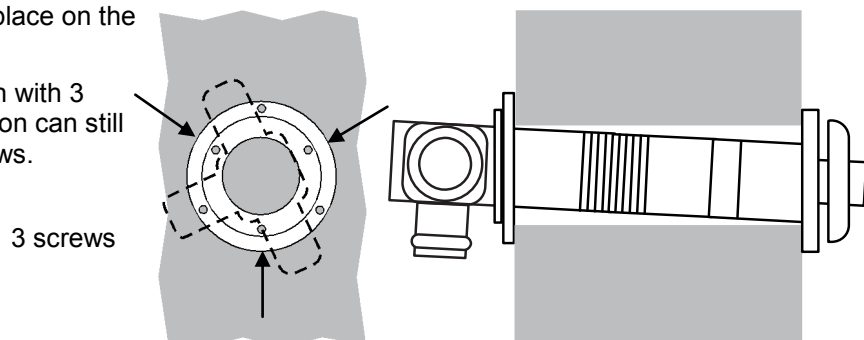
Pulling hard on the left and right hand ties, clip the ties over the notches inside the sleeve. You should be able to pull the ties 2 or 3 notches past the starting point. Cut the ties, leaving about 3/4 inch (20 mm) past the notch. Bend the ties back into the sleeve and parallel to the wall.



6. Insert Inside Connection Assembly

Push the assembly into the terminal tube, ensuring that the seal is in place on the inner tube.

Attach the inside connection with 3 screws. The inner connection can still be turned to install the screws.



Extension Kit Installation (EX11CT only)

If necessary, extension kits are available to extend the exhaust line and air intake hose between the manifold and the appliance.

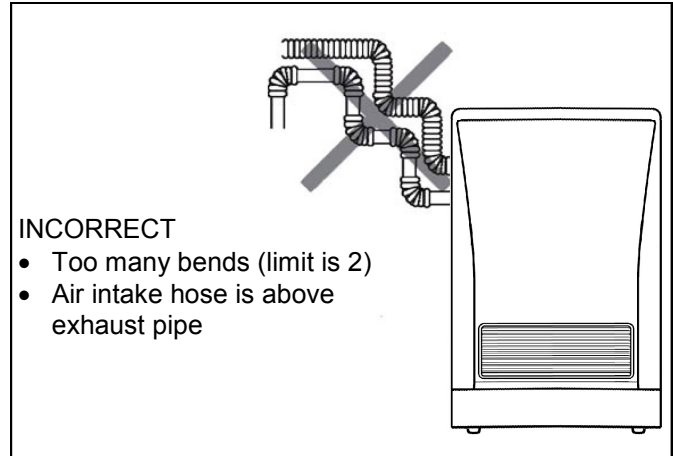
- (1) The maximum vent length is 13 feet (4 m) with 2 bends. The bent pipe attached to the appliance does not count toward the max limit of 2 bends.
- (2) For altitudes at or below 2000 feet (610 m), the maximum vertical length is 8 feet (2.4 m). For altitudes above 2000 feet (610 m), the maximum vertical length is 5 feet (1.5 m).
- (3) If the extension is longer than that shown in the table below, the condensate may overflow the condensation pan. Therefore, extensions exceeding this length should drain to the outside and sloped 3° downward.

8 feet (2.4 m) at or below 2000 feet (610 m)
--

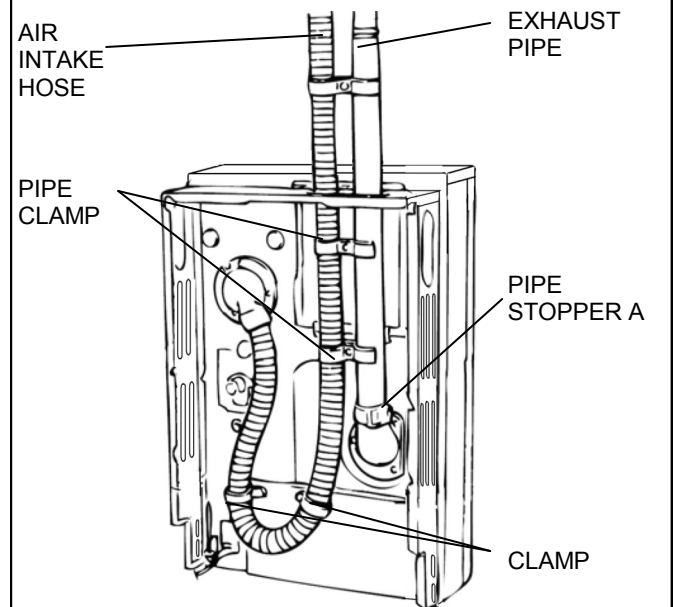
5 feet (1.5 m) above 2000 feet (610 m)
--

- (4) Do not allow any low points or sagging in the exhaust line. Otherwise, condensate may block the exhaust and affect combustion.
- (5) Vent extensions installed in unconditioned air space must be insulated with high temperature insulation and must be accessible.
- (6) Vent extensions must not be concealed per NFPA 54 and must be accessible allowing inspection and repair. Decorative covers are available from Rinnai.

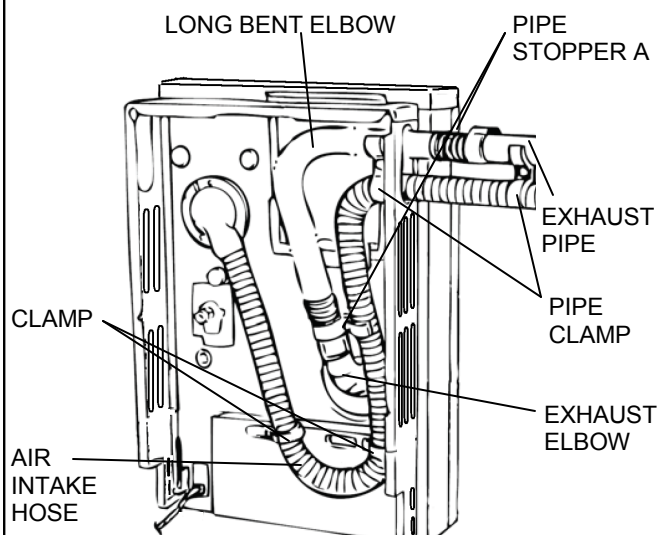
These figures show the 3 possible ways that the extension exhaust line and air intake hose may be directed away from the appliance. All 3 views are from behind the appliance. **For your configuration, position the air intake hose as shown.**



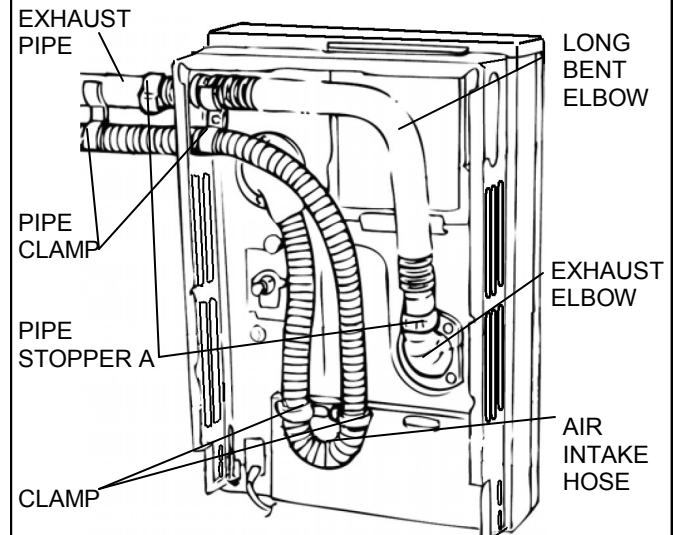
Extension through the top



Extension to the left (facing appliance)



Extension to the right (facing appliance)



Extension Kit Installation (EX11CT only)

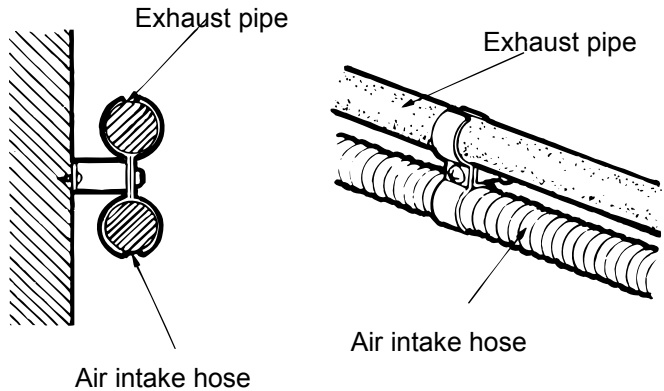
CAUTION Use the pipe stoppers, connectors, clamps, and screws according to these instructions in order to ensure no leakage of exhaust gases.

Clearances	exhaust pipe to combustibles	1 inch (25.4 mm)
	exhaust pipe to non-combustibles	zero

Clamps

Both the exhaust line and air intake hose are supported by clamps which are attached to the wall. A wall fixture can be used to offset the clamp from the wall. Use Screw B to attach the wall fixture to the wall. If the wall fixture is not used then use Screw A and the nut to attach the clamp to the wall.

The air intake hose should always be underneath the exhaust line so that in case the air line sags it will not come into contact with the exhaust line.



Installing the Exhaust Line

The exhaust line is connected between the bent pipe at the rear of the heater and the exhaust port on the flue manifold.

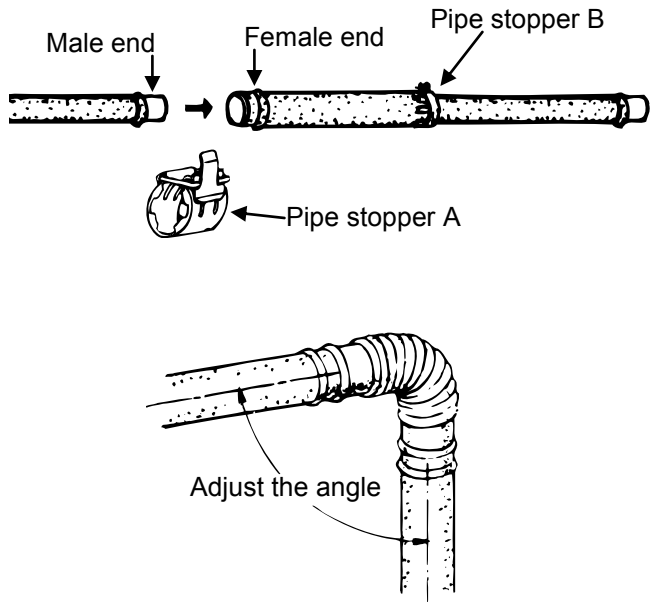
To connect exhaust pipes with other straight pipes or bends, fit the male end into the female end. Use pipe stopper A to clamp the connection.

Use pipe stopper B to fix the length on the adjustable exhaust pipes. Do not extend these pipes beyond the red line.

Do not cut the exhaust pipe. Use the adjustable pipes if necessary.

To bend the elbow, insert exhaust pipes into both ends for additional leverage. Bend to desired angle.

Do not straighten the bent pipe attached to the appliance.



Connecting the Air Intake Hose

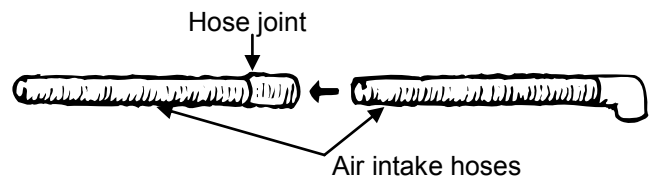
The air intake hose is connected between the air connection at the rear of the heater and the air intake port on the flue manifold.

Push the air intake hose onto the flue manifold and secure with the plastic cable tie.

Join air intake hoses by screwing the hose joint half of its length into the air intake hose and then screwing another air intake hose into the hose joint.

The lengths of the air intake hose and the exhaust pipe must be the same in order for the appliance to operate properly. The hose can be cut to the required length. Deburr all rough edges. Do not cut the hose attached to the appliance.

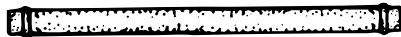
Support the air intake hose with pipe clamps.



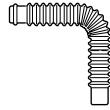
NOTICE Do not cut the intake hose. Cutting the intake hose may result in noise.

Extension Kit Installation (EX11CT only)

Extension Kits and Parts



- ① EXHAUST PIPE (ADJUSTABLE) ② EXHAUST PIPE (NON ADJUSTABLE) ③ AIR INTAKE HOSE



- ④ BENT ELBOW ⑤ LONG BENT ELBOW ⑥ HOSE JOINT ⑦ PIPE STOPPER A ⑧ PIPE STOPPER B



- ⑨ PIPE CLAMP ⑩ WALL-FIXTURE ⑪ NUT ⑫ SCREW A ⑬ SCREW B

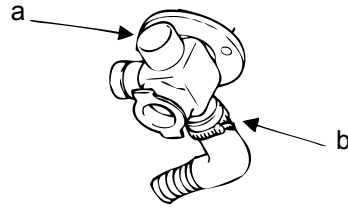
Item	Description	FOT-201	FOT-155	FOT-156	FOT-157	FOT-158	FOT-190
1	Exhaust Pipe (adjustable) 11.4-20.3 in (290-515 mm)		1				
1	Exhaust Pipe (adjustable) 21.0-39.6 in (533-1005 mm)			1	1		
2	Exhaust Pipe - 40 in (1016 mm)				1		
3	Air Intake Hose - 29.5 in (750 mm); 1.5 in (38 mm) inner dia.	1	1				
3	Air Intake Hose - 29.5 in (750 mm); 2.0 in (50 mm) inner dia.	1					
3	Air Intake Hose - 49.2 in (1.25 m)			1			
3	Air Intake Hose - 90.6 in (2.3 m)				1		
4	Bent Elbow					1	
5	Long Bent Elbow	1					1
6	Hose Joint - 1.5 in (38 mm) inner dia.	1	1	1	1		
6	Hose Joint - 2.0 in (50 mm) inner dia.	1					
7	Pipe Stopper A	1	1	1	2	1	1
8	Pipe Stopper B		1	1	1		
9	Pipe Clamp		2 sets	3 sets	4 sets		
10	Wall Fixture		2	3	4		
11	Nut		2	3	4		
12	Screw A		2	3	4		
13	Screw B		4	6	8		

Connecting the Appliance

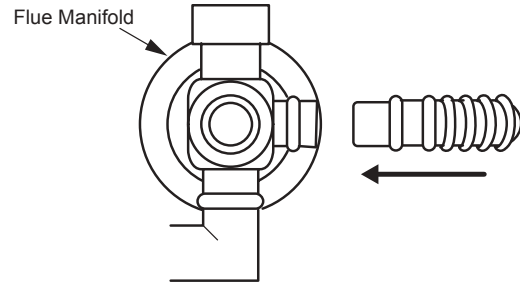
1. Attach the air inlet hose to the flue manifold on either inlet position "a" or "b".

The plastic tie should be tight over the sleeve.

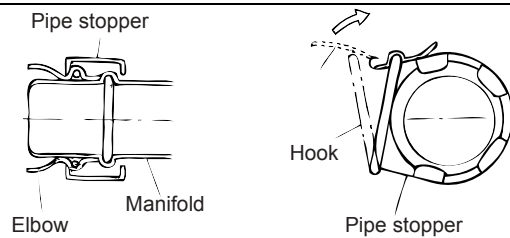
The unused inlet is plugged with the rubber cap supplied on the manifold.



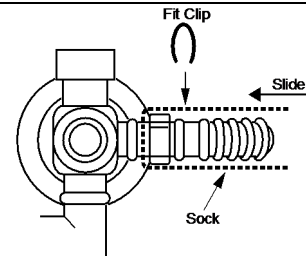
2. Connect the flue elbow to the manifold while moving the appliance into position.



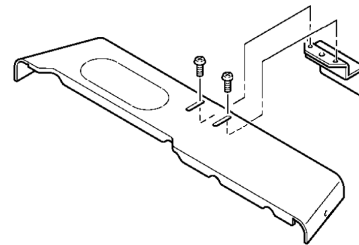
3. Fit the pipe stopper over the connection between the flue elbow and the manifold. Engage the hook and rotate it until it snaps against the body of the clamp.



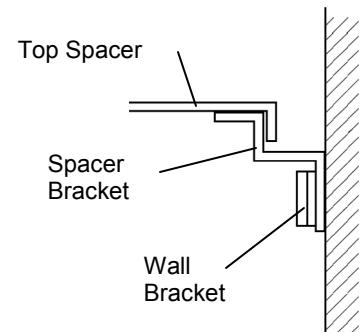
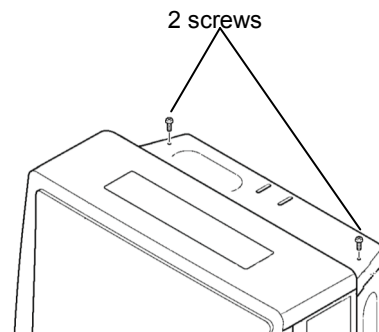
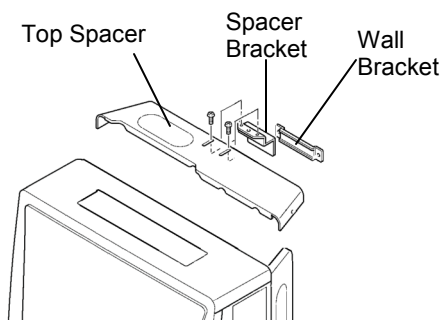
4. Slide the insulation sleeve up to the flue manifold and slip the securing clip over the sleeve as shown.



5. Install the bracket on the rear of the top spacer by tightening 2 screws.



6. Install the wall bracket with two screws. Install the top spacer by clipping the spacer into the wall brackets and attaching it to the heater with 2 screws.



Checklist for Venting

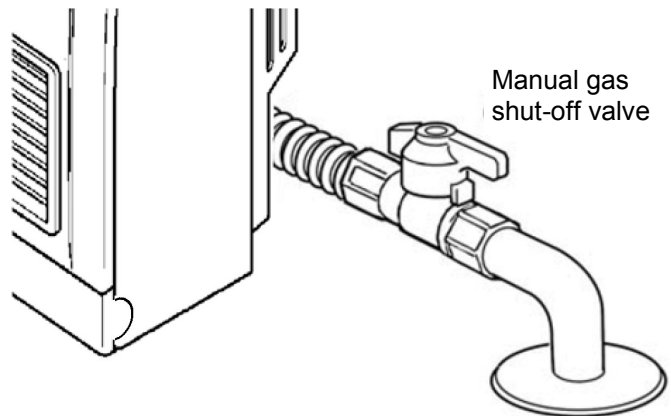
- Verify proper clearances around the vents and air intakes.
- Ensure you have used the correct venting products for the model installed and that you have completely followed the venting manufacturer's installation instructions and these installation instructions.
- Verify that the vent system does not exceed the maximum length for the number of elbows used.

Gas Connection

WARNING

When connecting the gas valve or other gas components in the gas line, use a backup wrench to ensure the connection is gas tight.

- The gas supply line shall be gas tight, sized and so installed as to provide a supply of a gas sufficient to meet the maximum demand of the furnace without loss of pressure.
- A shut off valve and appliance connector valve should be installed in the upstream of the gas line to permit servicing.
- Flexible pipe and any appliance connector valve used for gas piping shall be types approved by nationally recognized agencies.
- Any compound used on the threaded joint of the gas piping shall be a type which resists the action of liquefied petroleum gas (propane / LPG).
- After completion of gas pipe connections all joints including the furnace must be checked for gas tightness by means of leak detector solution, soap and water, or an equivalent nonflammable solution, as applicable. (Since some leak test solutions, including soap and water, may cause corrosion or stress cracking, the piping shall be rinsed with water after testing, unless it has been determined that the leak test solution is non-corrosive.)
- Check the gas supply pressure immediately upstream at a location provided by the gas company. Supplied gas pressure must be within the limits shown in the Specifications section.
- Refer to an approved pipe sizing chart if in doubt about the size of the gas line.
- Install manual gas cut-off valve so that it can be accessed for easy operation. Do not conceal manual cut-off valve behind back spacer.



Adjust Gas Pressure Settings

Complete these instructions for altitude and vent length. (Default altitude: 0ft - 2,000ft. Default vent length: 0 - 7ft+1 elbow)

For high altitude installations in Canada, the conversion shall be carried out by a manufacturer's authorized representative, in accordance with the requirements of the manufacturer, provincial or territorial authorities having jurisdiction and in accordance with the requirements of CAN/CGA-B149.1 or CAN/CGA-B149 installation codes.

CAUTION

Do not touch any other areas on the PC board besides the "SW" switches while power is supplied to the appliance. Parts of the PC board are supplied with 120 volts AC.

CAUTION

Do not insert hands or objects into the circulation fans while they are running. Injury or mechanical malfunction may occur.

CAUTION

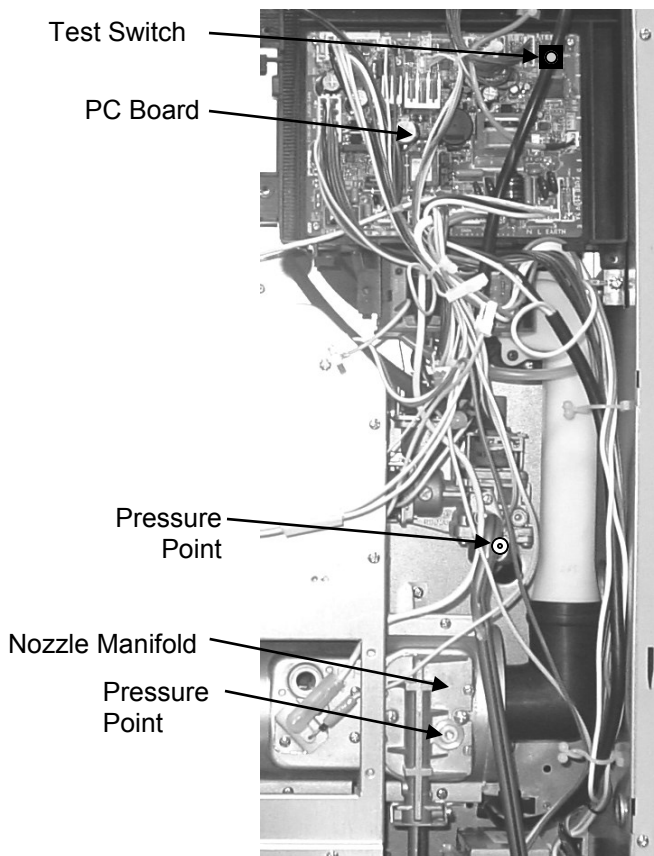
Do not touch the areas at or near the exhaust. This area becomes very hot and could cause burns.

NOTICE

The regulator has been factory pre-set. If the pressure is incorrect, check the supply pressure first, before making any adjustments to the appliance. Also, if the low control pressure cannot be obtained, adjust the adjustment screw on the proportional valve to roughly set pressure and then recheck both the low and high fire pressures.

Adjust Gas Pressure Settings

1. Turn off the gas and the power supply.
2. Remove the 5 screws that hold the louver assembly and front panel. Lift the panel straight up and then remove it.
3. Remove two pressure point screws (1/8 NPT tap) with 3/16 Allen wrench and attach the manometer to both pressure points. Both pressure points must be used in order to measure the differential pressure. Ensure that the manometer is properly calibrated.
4. Turn on the gas and power supply to the appliance. (Press the “Set back” button after turning on the power supply.) With the unit in the off position, press the test switch at the top of PC board until it beeps.
5. Select the correct code for gas type and altitude using ▲ and ▼ buttons. Refer to the table below.
6. Press the test switch twice to record the gas type code into memory. .
7. Press the ON/OFF button to operate the appliance.
8. Press the test switch twice. The LED will display “PL”.
9. Compare the pressure reading on the manometer to the desired manifold test pressure (low) for your gas type and altitude. If necessary adjust the low fire pressure using the ▲ and ▼ buttons.
10. Press the test switch. The LED will display “PH” indicating high fire mode.



	Natural Gas				Propane Gas			
Code	A1 / A5 *	A2 / A6 *	A3 / A7 *	A4 / A8 *	L1 / L5	L2 / L6	L3 / L7	L4 / L8
Altitude	0-2000 ft 0-610 m	2001-5200 ft 611-1585 m	5201-7700 ft 1586-2347 m	7701-10200 ft 2348-3109 m	0-2000 ft 0-610 m	2001-5200 ft 611-1585 m	5201-7700 ft 1586-2347 m	7701-10200 ft 2348-3109 m
EX08CT								
Manifold test pressure - W.C. Low	0.58 in (15 mm)	0.62 in (16 mm)	0.70 in (18 mm)	0.78 in (20 mm)	0.86 in (22 mm)	0.92 in (24 mm)	1.04 in (27 mm)	1.16 in (29 mm)
Manifold test pressure - W.C. High	3.4 in (86 mm)	3.6 in (92 mm)	4.1 in (103 mm)	3.2 in (82 mm)	5.8 in (147 mm)	6.2 in (158 mm)	7.0 in (177 mm)	5.5 in (140 mm)
EX11CT								
Manifold test pressure - W.C. Low	0.60 in (15 mm)	0.64 in (16 mm)	0.72 in (19 mm)	0.80 in (20 mm)	1.06 in (27 mm)	1.16 in (29 mm)	1.28 in (33 mm)	1.41 in (36 mm)
Manifold test pressure - W.C. High	2.2 in (56 mm)	1.9 in (49 mm)	1.7 in (44 mm)	1.6 in (40 mm)	3.8 in (95 mm)	3.3 in (84 mm)	3.0 in (75 mm)	2.7 in (69 mm)

* For the EX11CT with natural gas: Use A1, A2, A3, or A4 for venting up to 7 feet (2.1 m) with one elbow. Use A5, A6, A7, or A8 for venting exceeding 7 feet (2.1 m) with one elbow.

Adjust Gas Pressure Settings

11. Compare the pressure reading on the manometer to the desired manifold test pressure (high) for your gas type and altitude. If necessary adjust the high fire pressure using the ▲ and ▼ buttons.
12. Press the ON/OFF button again. The LED display turns blank and the appliance returns to the normal OFF mode.
13. Remove manometer and install Allen head screws. Operate the unit and
 - check the normal operating sequence
 - visually inspect the flame
 - check for gas leaks at the test points

Normal Operating Sequence

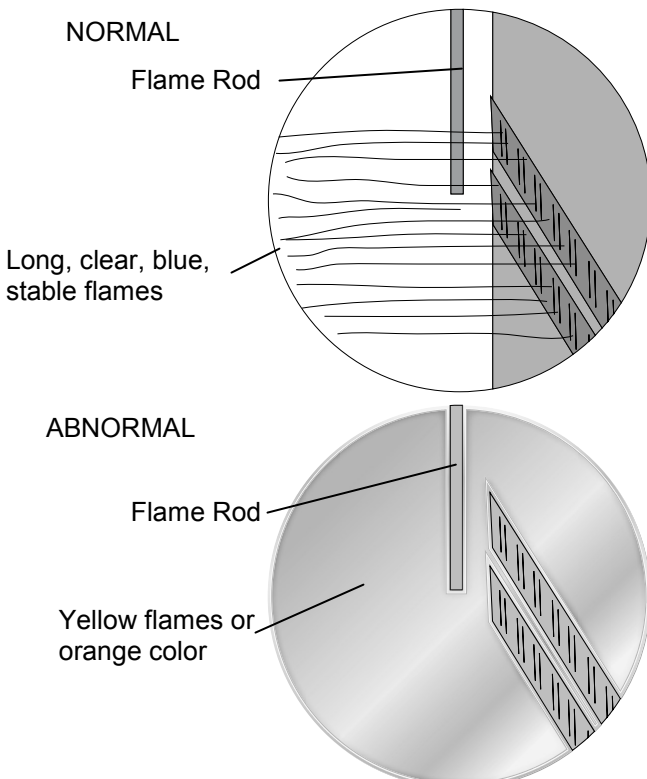
When you press the ON/OFF button, the LED display will illuminate, the combustion fan will begin to run, and the spark will ignite the main burner.

This heater has an automatic ignition system. When the main burner has lit, the combustion lamp will glow red, and the spark will stop.

Visual Inspection of Flame

Check that the burner flames are operating normally. The flame can be seen through the circular window through the louvers.

When operating normally the burner flame should appear as long, clear, blue, stable, streaks. Yellow flames or an orange color is abnormal and maintenance is required.



Final Assembly

1. Install the front panel and bottom cover.
2. If doing a gas type conversion, place the new conversion plate (label) on the front cover.

Checklist for Gas and Electricity

- A manual gas control valve is placed in the gas line to the heater.
- Check the gas lines and connections for leaks.
- Confirm that the gas inlet pressure is within limits.
- Confirm that the heater is rated for the gas type supplied.
- Confirm that the electricity is supplied from 120 VAC, 60 Hz power source and is in a properly grounded circuit.
- Confirm that an extension cord or an adapter plug has **NOT** been used with the heater.

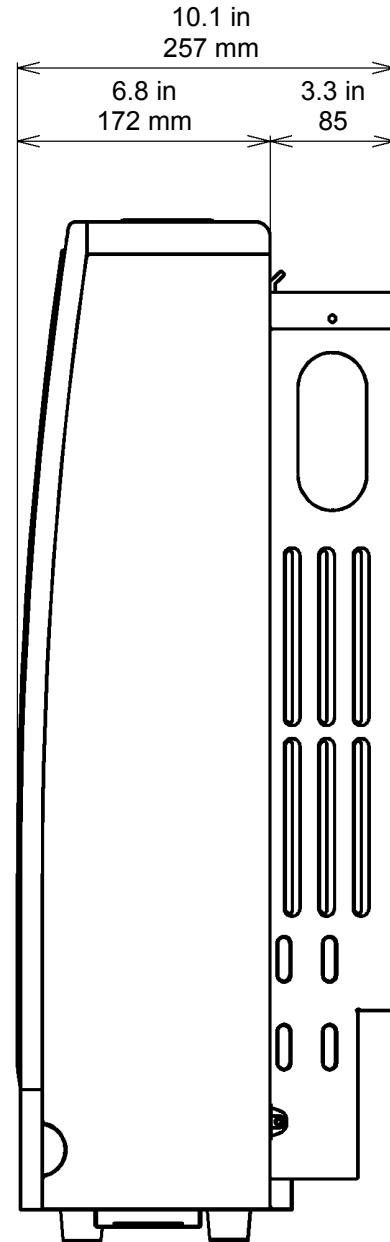
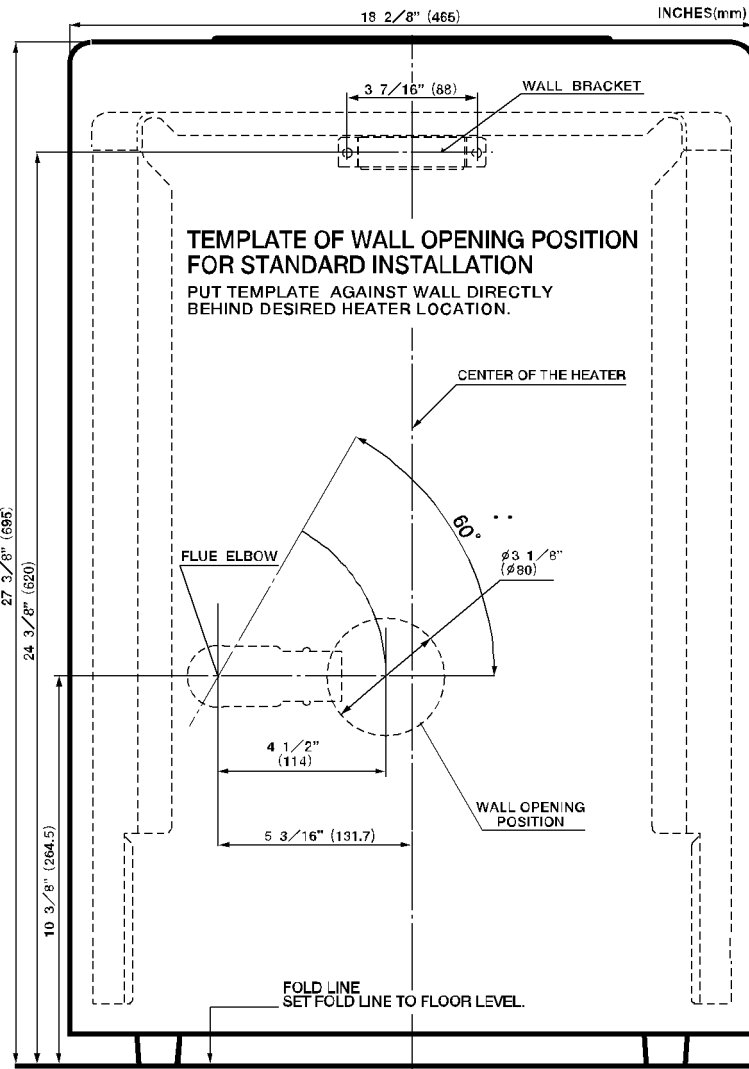
Final Checklist

- The heater is not subject to corrosive compounds in the air.
- Clearances from the heater unit are met.
- Clearances from the vent termination are met.
- Ensure you have used the correct venting products for the model installed and that you have completely followed the venting manufacturer's installation instructions and these installation instructions.
- Verify that the vent system does not exceed the maximum length for the number of elbows used.
- A manual gas control valve has been placed in the gas line to the heater.
- Check the gas lines and connections for leaks.
- Confirm that the gas inlet pressure is within limits.
- Confirm that the heater is rated for the gas type supplied.
- Confirm that the electricity is supplied from a 120 VAC, 60 Hz power source, is in a properly grounded circuit, and turned on.
- Verify the system is functioning correctly by connecting your manometer to the gas pressure test port on the water heater. Operate all gas appliances in the home or facility at high fire. The inlet gas pressure at the heater must not drop below that listed on the rating plate.
- Install the front panel.
- Explain to the customer the importance of not blocking the vent termination.
- Explain to the customer the operation of the heater, safety guidelines, maintenance, and warranty.
- The installation must conform with local codes or, in the absence of local codes, with the *National Fuel Gas Code, ANSI Z223.1/NFPA 54*, or the *Natural Gas and Propane Installation Code, CSA B149.1*. If installed in a manufactured home, the installation must conform with the *Manufactured Home Construction and Safety Standard, Title 24 CFR, Part 3280* and/or *CAN/SCA Z240 MH Series, Mobile Homes*.
- Leave the entire manual with the consumer.**

Dimensions

inches (mm)

NOTICE A full size template is provided on the cardboard packaging.
DO NOT DISCARD until installation is completed.



Specifications

Safety Features

- **Overheat:** The appliance will automatically shut down when the appliance exceeds a predetermined temperature.
- **Flame Failure:** The appliance will automatically shut down if the burner flame is extinguished.
- **Power Failure:** The appliance will shut off the gas if it loses electrical power.
- **Power Surge Fuse:** A glass fuse on the PC board protects against overcurrent. If the fuse blows then all indicator lamps will be off.
- **Spark Detector:** The appliance automatically shuts down if there is an abnormal spark at ignition.
- **Fusible Link:** In case the overheat feature does not prevent an overheat then the fusible link could break, shutting off the appliance.

Appliance Specifications

	<i>EX08CT</i>		<i>EX11CT</i>	
Application	Approved for manufactured home (USA only) or mobile home or residential installation convertible for use with natural gas and liquefied petroleum gases (propane / LPG) when provision is made for the simple conversion from one gas to the other. Approved for commercial setting. Approved for installation at altitudes up to 10,200 feet (3109 m).			
	Natural Gas	Propane Gas	Natural Gas	Propane Gas
Min. Supply Gas Pressure	4.5 in(114 mm) W.C.	8.0 in(203 mm) W.C.	3.5 in(89 mm) W.C.	8.0 in(203 mm) W.C.
Max. Supply Gas Pressure	10.5 in(267 mm) W.C.	13.0 in(330 mm) W.C.	10.5 in(267 mm) W.C.	13.0 in(330 mm) W.C.
BTU/hour input	Low 3000	High 8000	Low 5500	High 11000
BTU/hour output	Low 2400	High 6400	Low 4400	High 8800
General Description	Forced combustion, forced convection, flued gas furnace			
Operation	Push button electronic			
Gas Connection	1/2 in male NPT			
Gas Control	Electronic			
Burners	Stainless steel Bunsen burner			
Temperature Control	Electronic thermostat, (Low, 60-80°F in 2°F increments, High)			
Temperature Range	Low, 60 - 80°F (in 2°F increments), High			
Ignition System	Electronic spark ignition			
Flue System	The flue must be terminated to atmosphere with only flue components listed with the appliance's certification. Warranty will be voided if non listed components are installed.			
Humidifier Tray	Capacity - 1.5 pints (700 cc)			
Electrical Connection	AC 120V, 60 Hz, 41 watts			
Standby Power	0.5 watt			
Weight	46 lbs (21 kg)			
Noise Level	27-36 dB			
AFUE Rating	Natural Gas: 81% Propane: 82%			

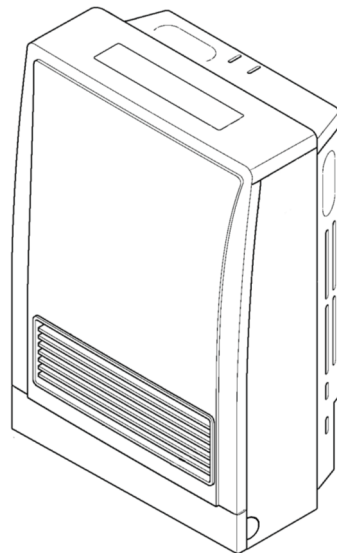
Rinnai is continually updating and improving products. Therefore, specifications are subject to change without prior notice.

The efficiency rating of this appliance is a product thermal efficiency rating determined under continuous operating conditions and was determined independently of any installed system.

Rinnai®

Direct Vent Furnace Operation Instructions

EX08CT (RHFE-202FTA2)
EX11CT (RHFE-265FTA2)



Important Facts about your Direct Vent Furnace

Thank you for purchasing a Rinnai Direct Vent Furnace. For proper operation and safety, it is important to follow the instructions and adhere to all safety precautions.

Read all of the instructions and the warranty thoroughly before operating this heater. Keep this manual in a safe place.

NOTICE: Rinnai sometimes shares customer contact information with businesses that we believe provide products or services that may be useful to you. By providing this information, you agree that we can share your contact information for this purpose. If you prefer not to have your information shared with these businesses, please contact customer service and ask not to have your information shared. We will however, continue to contact you with information relevant to the product(s) you registered and/or you account with us.

⚠ WARNING

If the information in these instructions is not followed exactly, a fire or explosion may result causing property damage, personal injury, or death.

- Do not store or use gasoline or other flammable vapors and liquids in the vicinity of this or any other appliance.
- WHAT TO DO IF YOU SMELL GAS
 - Do not try to light any appliance.
 - Do not touch any electrical switch; do not use any phone in your building.
 - Immediately call your gas supplier from a neighbor's phone. Follow the gas supplier's instructions.
 - If you cannot reach your gas supplier, call the fire department.
- Installation and service must be performed by a licensed professional.

Safe Operation

FOR YOUR SAFETY READ BEFORE OPERATING



WARNING

If you do not follow these instructions exactly, a fire or explosion may result causing property damage, personal injury or loss of life.


- A. This appliance does not have a pilot. It is equipped with an ignition device which automatically lights the burner. Do not try to light the burner by hand.
- B. **BEFORE OPERATING** smell all around the appliance area for gas. Be sure to smell next to the floor because some gas is heavier than air and will settle on the floor.
- WHAT TO DO IF YOU SMELL GAS
- Do not try to light any appliance.
 - Do not touch any electric switch; do not use any phone in your building.
 - Immediately call your gas supplier from a neighbor's phone. Follow the gas supplier's instructions.
 - If you cannot reach your gas supplier, call the fire

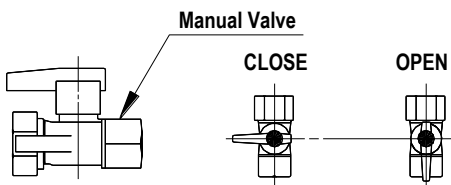
department.

- C. Use only your hand to push in or turn the gas control knob. Never use tools. If the knob will not push in or turn by hand, do not try to repair it, call a qualified service technician. Force or attempted repair may result in a fire or explosion.
- D. Do not use this appliance if any part has been under water. Immediately call a qualified service technician to inspect the appliance and to replace any part of the control system and any gas control which has been under water.


OPERATING INSTRUCTIONS

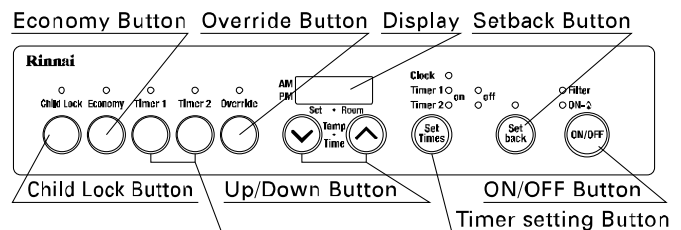
STOP! Read the safety information above.

1. Set the thermostat to lowest setting.
2. Turn off all electric power to the appliance using the ON/OFF button on the control panel. Locate the manual gas valve on the back side of the heater.
3. Turn the manual valve clockwise  to the full OFF position.




4. Wait five (5) minutes to clear out any gas. Then smell for gas, including near the floor. If you smell gas, STOP! Follow "B" in the safety information above. If you don't smell gas, go to the next step.

5. Turn the manual gas valve counterclockwise  to the full ON position.
6. Turn on all electric power to the appliance using the ON/OFF button.
7. Set the thermostat to desired setting.
8. Burner is lit when indicator lamp "ON" turns red.
9. "ON" indicator and fault code 11, flash when burner fails to ignite.
10. If the appliance will not operate, follow the instructions "To Turn Off Gas To Appliance" and call your service technician or gas supplier. See manual for additional information.

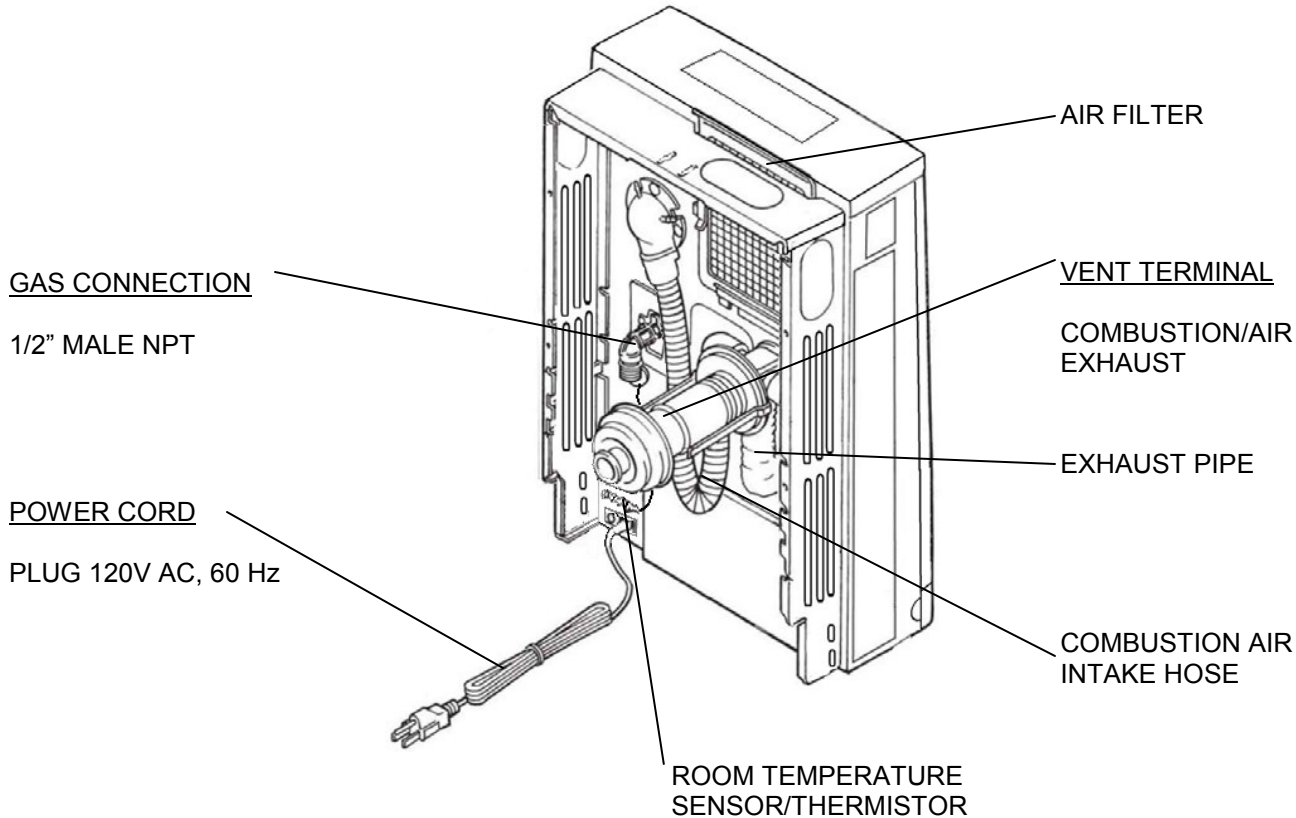
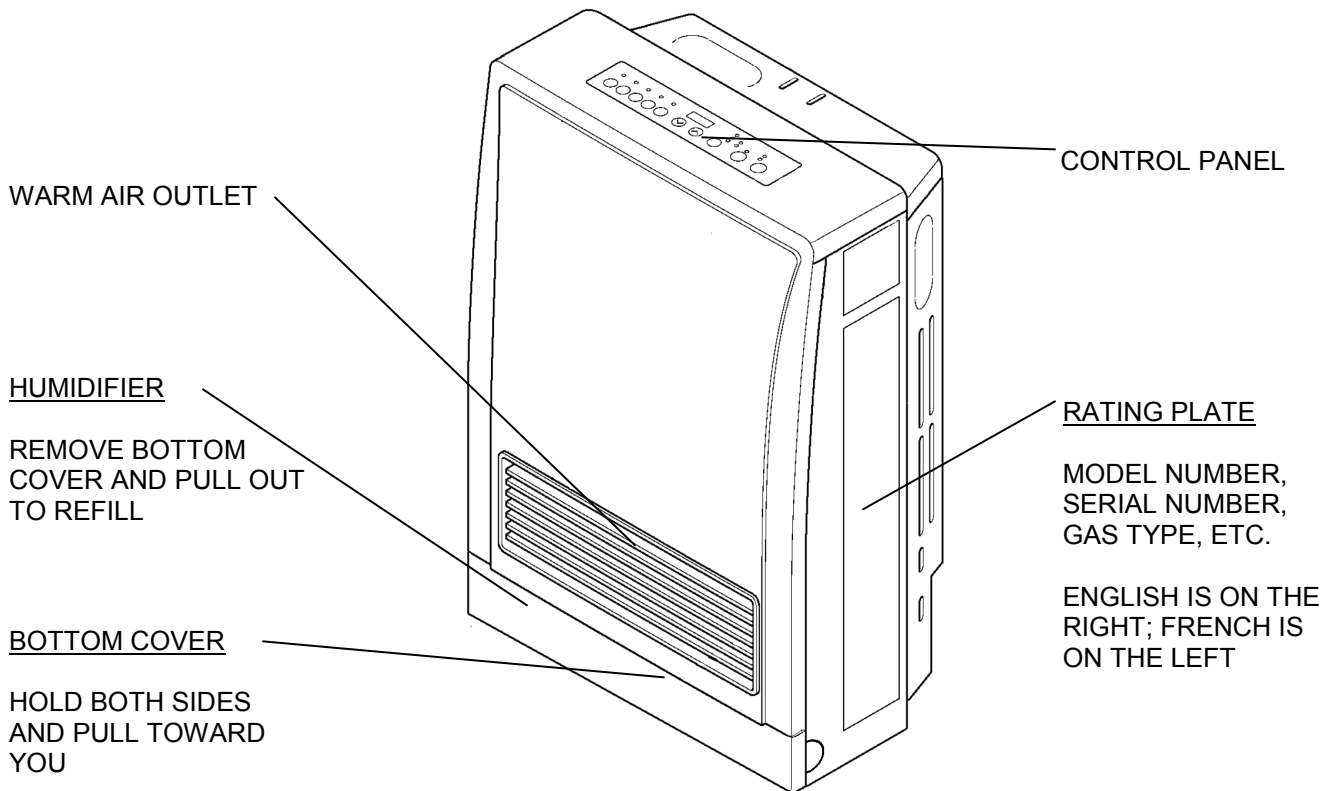


TO TURN OFF GAS TO APPLIANCE

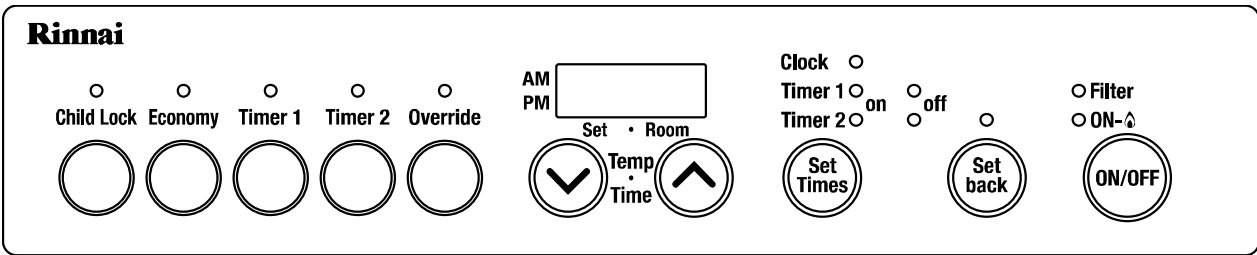
1. Set the thermostat to lowest setting.
2. Turn off all electric power to the appliance using the ON/OFF button on the control panel.
3. Locate the manual gas valve on the side of the unit. Turn the manual valve clockwise  to the full OFF position.

NOTE: The fan will continue to operate until the appliance is cool. Do not turn the appliance off by unplugging it from the wall. Keep burner and control compartment clean.

Getting to Know Your Appliance



Control Panel



Sensible Temperature Control

The sensible temperature control feature allows comfortable heating which matches the conditions in the room.

Based on the information collected by the room temperature thermistor when the heating starts, the heating capacity is automatically adjusted to achieve a

comfortable heating effect and to reach the temperature setting quickly.

Occasionally, the room temperature may briefly exceed the temperature setting due to the layout of the room or heating area.

Display

After the heater is turned on and begins operating, the display will dim. The display will turn off when the heater is turned off. While programming the timers the display will turn off several seconds after a button is last pushed.

Fahrenheit or Celsius

1. The heater must be turned off.
2. Press the Timer 1 and Timer 2 button at the same time for about 5 seconds. The display will show “°C” or “°F”.
3. Use the arrow keys to select the temperature scale.
4. Press the ON/OFF button.

ON / OFF

Press the ON/OFF button to operate the heater. The ON indicator will glow green. Once the burner ignites the ON indicator will glow red. When the heater warms up, the fan will automatically start.

To turn the heater off, press the ON/OFF button. The ON indicator light will go out. The fan will continue to operate for several minutes after the burner has gone out in order to cool the heater. Do not unplug the heater while the fan is running.

○ Filter

○ ON-△



Child Lock

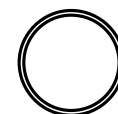
The Child Lock will help to prevent accidental operation of the appliance and to prevent children from operating the appliance.

To activate Child Lock, press the Child Lock button. The indicator will light and a beep will sound.

To deactivate Child Lock, press the Child Lock button and hold for about 2 seconds. The indicator light will go out and a beep will sound.

- The lock can be activated when the heater is ON or OFF.
- If activated while the heater is ON, all controls other than the OFF switch will be locked.
- If activated while the heater is OFF, then all controls will be locked.
- If the heater is turned off while the Child Lock is activated, it cannot be turned on again until the lock is deactivated.
- Deactivating the lock releases the control buttons.

○ Child Lock



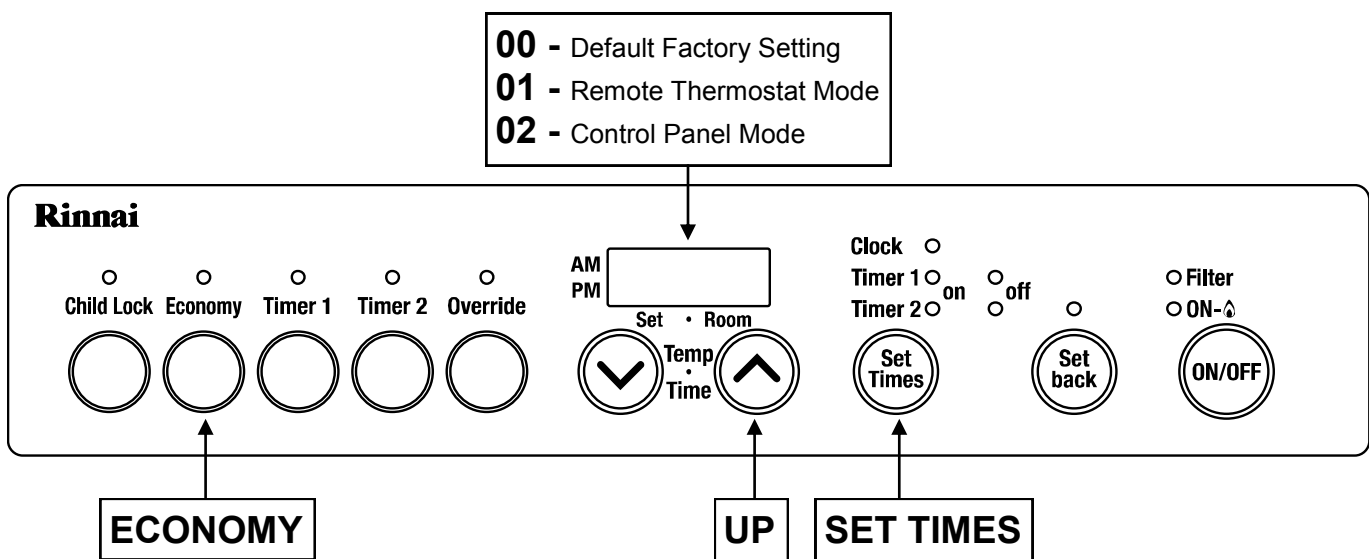
Remote Thermostat Mode (Optional Accessory)

A remote thermostat can be installed for the furnace with the Remote Thermostat Installation Kit (Part # 204000045). Once installed, the furnace must be placed in Remote Thermostat mode by following the steps below:

1. Ensure the furnace is plugged in but is turned **OFF**.
2. Ensure the **Set back** feature is turned **OFF**.
3. Press and hold the **Economy + Up + Program** buttons for 2.5 seconds and then release (**00** appears in the display).
4. Press the **UP** button (**01** appears in the display).
5. Press the **ON/OFF** button; the display will go blank. The furnace is now in Remote Thermostat mode.

! ATTENTION Do not unplug the furnace within two hours of entering Remote Thermostat mode. This will cause the furnace to revert back to Control Panel mode (default).

Note: To return the furnace back to Control Panel mode, repeat steps 1-3. At step 4, press the **UP** button until **02** appears in the display. Next, press the **ON/OFF** button; the display will go blank. The furnace is now in Control Panel mode.



! ATTENTION

DO NOT place heater back into "00" default factory setting without wall thermostat connection components. Failure to do so may cause the unit not to function properly.

The following buttons/indicators on the control panel will remain functional in either mode:

- ON/OFF Button
- FILTER Indicator
- ON Indicator
- DISPLAY (The DISPLAY will be blank except in the event of an error code. All error codes will show on the DISPLAY in either mode. Error codes will not show on the remote thermostat even when in remote thermostat mode.)

! ATTENTION The remote thermostat will **NOT** control the heaters ability to power on or power down. This must still be done by using the **ON/OFF** button of the heater.

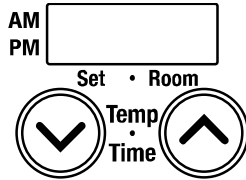
Setting the Clock

1. Press the “Set Times” button.



2. The light next to “Clock” should be lit. Press the up and down arrows to set the time. Holding down either of the arrow keys will change the time more quickly.

Clock
 Timer 1 on off
 Timer 2

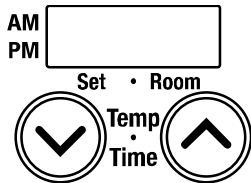


3. Press the “Set Times” button until none of the time options are lit up.



Operating the Furnace Manually

1. Turn the heater on by pressing the “ON/OFF” button.
2. Press the up or down arrows to set the temperature. The left side of the display shows the temperature setting. The right side of the display shows the room temperature.



Setting and Operating the Timers

Confirm the clock is correct.

NOTE: The clock will have to be reset in case of a power failure. However the timers will retain their settings.

The heater will start before the programmed starting time in order to heat the room by the programmed starting time.

The timers can be set while the heater is on or off. To operate the timer, the heater must be on.

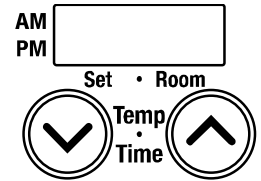
Setting the timers:

1. Press the “Set Times” button twice to set Timer 1.



2. The light next to “Timer 1 on” should be lit. Press the up or down arrows to set the start time. Holding down either of the arrow keys will change the time more quickly.
3. Press the “Set Times” button again so that the Timer 1 off position is lit. Press the up or down arrows to set the end time. Holding down either of the arrow keys will change the time more quickly.

Clock
 Timer 1 on off
 Timer 2



4. Press the “Set Times” button again to set the times for Timer 2. Follow the same steps above to set the start and end times.
5. Press the “Set Times” button until none of the time options are lit up.

Operating the timers:

To operate the heater using a Timer, press ON/OFF button and the appropriate Timer button. The heater will operate from the start to end times you have entered for that Timer. It will operate at the temperature setting that has been set for the heater. The timer can be set while the heater is operating.

Override Function

This function is used only when the heater is in Timer operation.

It allows you to “override” the reset timer setting until the beginning of the next Timer period.

For example, if the heater is ON, pressing the “Override” button will turn the heater OFF until the next period. If the heater is OFF, pressing the “Override” button will turn the heater ON, and allow you to select a temperature setting, until the next period. The heater will remain on until the next timer period or until the Override function is turned off.

When in override function, pressing the “Override” button will return the heater to the operation of the current timer period.



Economy (Energy Saving Mode)

The Economy mode can only be set while the heater is operating (heating). Once it is set, it will remain in the system memory until deactivated.

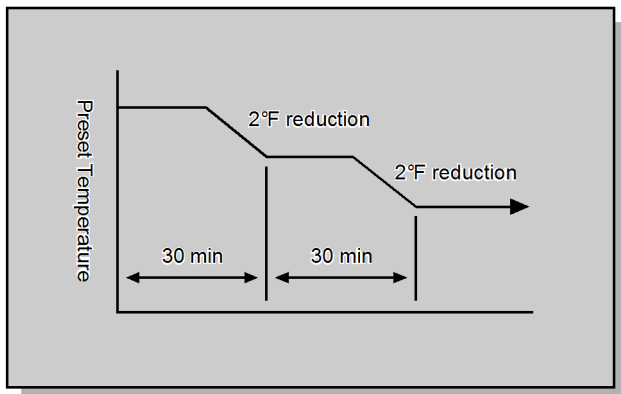


- To turn the Economy mode on, press the "Economy" button. The Economy indicator is lit.
 - The Economy mode now remains in the system memory.
 - If the appliance is turned off manually, or stops heating as a result of an OFF timer period, the "Economy" indicator will go out.
 - Whenever the appliance starts heating again, the "Economy" indicator will light.
- To turn the Economy mode off, press the "Economy" button. The "Economy" indicator will go out.
 - The Economy mode can only be turned off while the heater is operating (heating) and when the "Economy" indicator is lit.

Economy Mode Information

After the room is heated initially, the air temperature may be dropped to a lower level without affecting comfort. The Economy Mode reduces the temperature by 2 °F, 30 minutes after the room temperature setting is reached. After another 30 minutes, it reduces the temperature setting by another 2 °F, effectively saving energy. The room temperature setting will drop up to a total of 4 °F.

The Economy Mode will not operate if the heater is under capacity for the room size.



Set Back

This function allows a minimum room temperature to be pre-set, between 38°F and 78°F (in 2°F increments). This temperature should be set below the room temperature setting. The default setting is 60°F. Once the Set back function is selected the appliance will start heating whenever the room temperature falls below the selected temperature, regardless of timer or manual settings.

Follow these steps to set and operate the Set back feature:

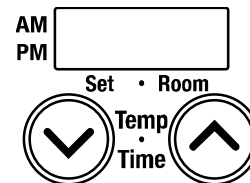
- Make sure the heater is turned OFF.



- Press the "Set back" button. The light above the button will come on.



- Press the up and down buttons to set the minimum temperature.



When the "Set back" indicator is on, frost protection is operating, and will always prevent the room temperature from falling below the pre-set minimum temperature (as long as electric power and gas is supplied).

To turn this feature off, press the "Set back" button.

The unit will retain its ON or OFF setting after a power failure. (Default setting at the factory is on.)

NOTICE

The Set Back feature is intended to prevent the installation location from falling below a specified temperature. It is not intended as an alternate thermostat, but rather a preventative measure against freezing.

Humidifier and Air Flow Direction

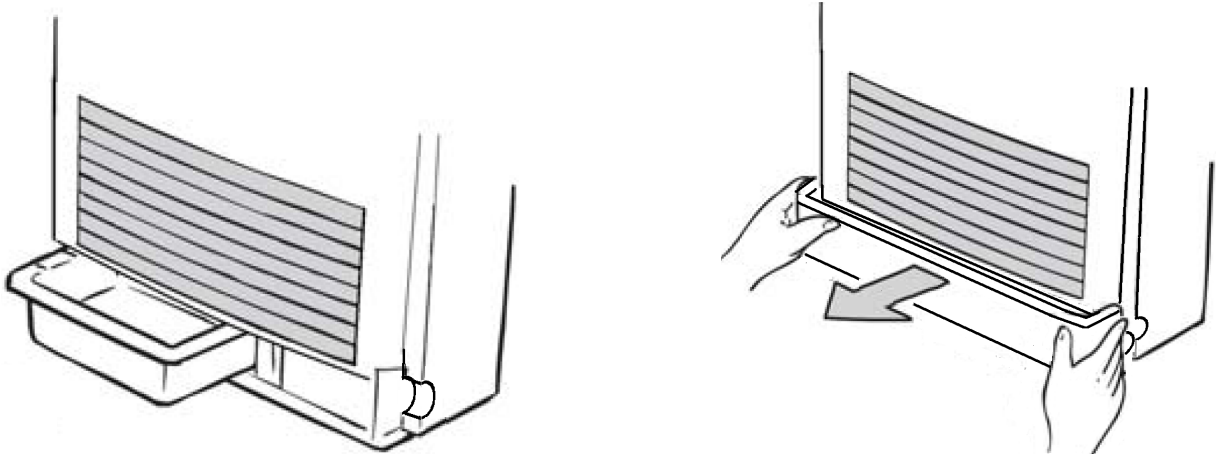
CAUTION Do not remove the bottom trim panel or the humidifier tray while warm air is flowing.

Adding Water to the Humidifier

Warm air is humidified when it passes over the water in the tray.

To fill the tray, remove the bottom panel by pushing on both sides and pulling it toward you. Pull the tray out and fill with water. Do not exceed the fill line. Push the tray back in and attach the bottom panel. Do not operate the appliance unless the humidifier tray is installed.

During operation a small amount of condensation is produced in the flue system and drains into the humidifier tray.



CAUTION Do not adjust the air flow louvers while warm air is flowing.

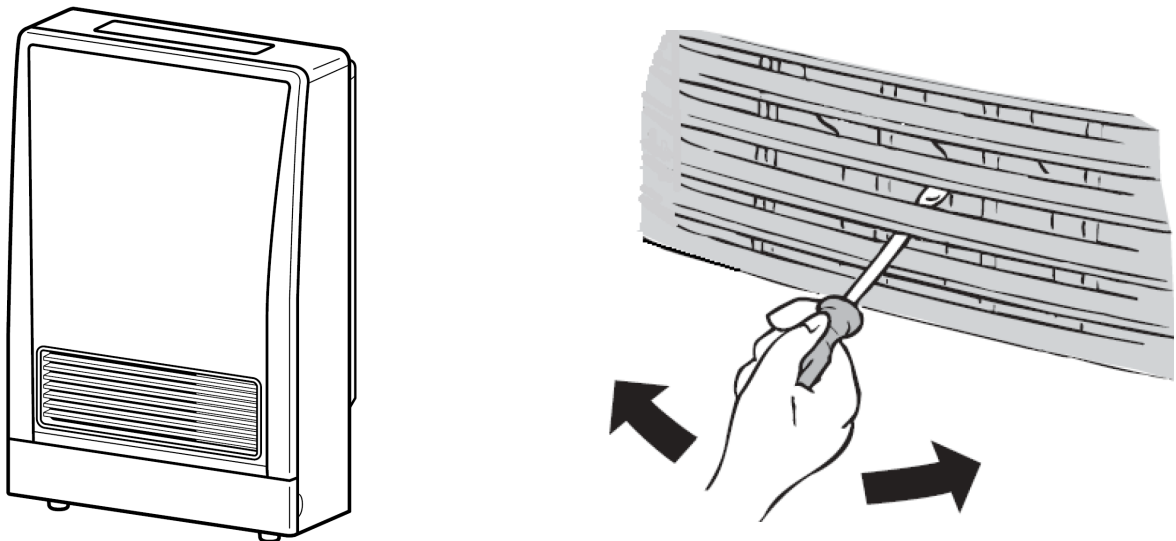
Adjusting Air Flow Direction

The vertical louvers may be adjusted to move the air flow more to the right or to the left.

Use a screw driver or similar object to bend each louver to the desired position.

Do not bend repeatedly (no more than 5 times) or else the louver will break.

The horizontal louvers (which determines the vertical air flow direction) are fixed and cannot be adjusted.



Required Care and Maintenance

Care and Maintenance

All maintenance and service is to be performed by a qualified service technician, preferably one who has attended Rinnai service training classes on the Direct Vent products.

The appliance should be inspected annually by a qualified service technician. More frequent cleaning may be required due to excessive lint from carpeting, bedding material, etc. It is imperative that control compartments, burners, and circulating air passage ways of the appliance be kept clean.

Any screen or guard removed for servicing the appliance must be replaced prior to operating the appliance. Clean as follows:

1. Turn heat off. Allow to cool for one hour.
2. Remove the front panel by removing five screws.
3. Use pressurized air to remove dust from the main burner, heat exchanger, and fan blades.
4. Use soft dry cloth to wipe cabinet.

Do not use wet cloth or spray cleaners on the burner.

The flue should be inspected annually for blockages or damage.

Motors are permanently lubricated and do not need periodic lubrication. Keep fan and motor free of dust and dirt by cleaning annually.

Verify proper operation after servicing.

When attaching the front panel, take care not to clip or pinch any electric cords to prevent electric shock.

Care of Exterior

Dampen soft cloth with warm water. Wring water out well and wipe the unit.

Do not use volatile substances such as benzene or thinners. They cause fading of the paint and deformation of the resin.

CAUTION

Prevent dust from accumulating on the power cord, side covers, and parts behind the appliance.

CAUTION

Keep the area around flue terminal free of snow and ice. The appliance will not function properly if the intake air or exhaust is impeded by obstructions.

Refer to the Flue Terminal Clearances. The clearance in Ref. A should be maintained from any snow accumulation.

Filters

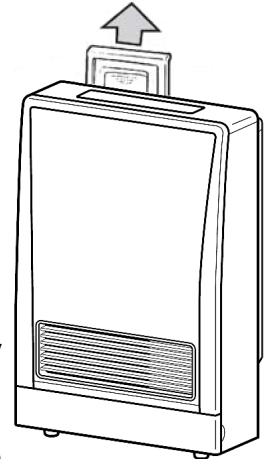
Dirty filters reduce the air flow and the appliance's ability to produce heat. The filters should be cleaned frequently during the heating season.

If the filters become blocked the filter indicator lamp will flash red and a beep will sound five times. This beeping will repeat every 5 minutes. Eventually the appliance will turn off and display fault code 14 on the control panel display.

To clean the filters, the appliance should be OFF and cool.

Remove the filter and clean it using a soft dry cloth or vacuum. If the filter is greasy wash with warm soapy water, rinse, and dry completely.

Do not use the appliance without the filter installed.



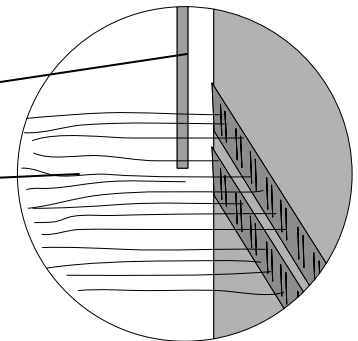
Visual Inspection of Flame

Check that the burner flames are operating normally. The flame can be seen through the circular window through the louvers.

When operating normally the burner flame should appear as long, clear, blue, stable, streaks. Yellow flames or an orange color is abnormal and maintenance is required.

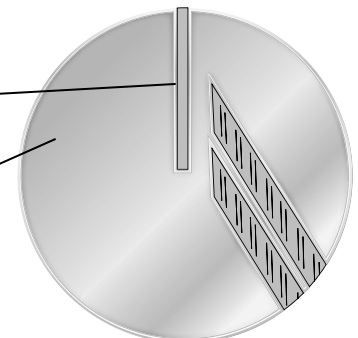
NORMAL

Flame Rod
Long, clear, blue, stable flames



ABNORMAL

Flame Rod
Yellow flames or orange color



Before Making a Service Call

Before making a service call please check the following:

■ At Ignition:

Heater does not operate.	➔	Is the heater plugged in? Have the fuses or breaker blown at the fuse box / breaker panel? Is there a power failure? Is the air filter blocked? Is anything blocking the outlet for the hot air? Is the flue blocked?
Warm air does not flow when the burner lights.	➔	The fan is started automatically after a short delay. This is to allow the heat exchanger to warm up, helping to avoid cold draughts.
Smoke or strange smells are produced on the first trial light up after installation.	➔	This is caused by grease or oil and dust on the heat exchanger and will stop after a short time.
Sharp clicking noises at ignition	➔	This is simply expansion noise from the heat exchanger.

■ During Combustion:

Clicking noise when the thermostat operates.	➔	This is the sound of the solenoid gas valves opening and closing.
Unit is not heating room.	➔	Is the air filter blocked? Is the set temperature high enough? Is the warm air outlet blocked by anything? Are the doors and windows of the room closed? Was the appliance correctly sized for the space?
Air filter is blocked or the louvers are blocked or obstructed.	➔	Allow heater to cool, clean air filter, operate again.
Heater will not re-ignite after overheating.	➔	Even after unit has cooled down, the heater does not ignite again. Repair is necessary. Contact a qualified / authorized service provider.

■ When the unit is turned off.

Convection fan continues to run after turning OFF.	➔	This is to remove the residual heat from the heat exchanger. The fan will stop when the heater cools down.
--	---	--

■ Other Points:

Steam is discharged from the flue terminal .	➔	High efficiency appliances tend to discharge water vapor on cold days. This is normal.
Unit shuts off without apparent reason.	➔	Check whether filters are blocked. Dirty filters will cause the heater to overheat.

Diagnostic Codes and Remedies

If there is a malfunction the appliance may shut down as a safety precaution and display a fault code to assist in diagnosing the problem. The fault code will flash in the display on the control panel. When making a service call, this code will assist with diagnosing the fault.

You may be able to clear the fault code by turning the furnace off and then on again. If the fault code remains or returns on the next operation, contact Rinnai or your nearest service agent and arrange for a service call.

CODE DISPLAYED	FAULT	REMEDY	
11 [1]	No Ignition	Check that gas is turned ON. Check that the vent termination is not blocked. Refer to the Restart Function explanation. Service call if repeated.	
14	Overheat	Clean filter. Service call if repeated. [2]	
16	Room Overheat	Ensure that room temperature is less than 104°F (40°C).	
31	Room Temperature Thermistor Disconnection (Open Circuit)	Service call.	
32	Room Temperature Thermistor Short Circuit		
33	Overheat Thermistor 1 Disconnection (Open Circuit)		
34	Overheat Thermistor 1 Short Circuit		
49	Sensor Breakdown		
53	Sparker		
61	Combustion Fan		
62	Convection Fan		
70	ON/OFF Switch or "Set back" Switch		
71	Solenoids		
72	Flame Rod		
73	Communication Error		
99	Flue Block		Check around the flue terminal for blockage. [3]

[1] Only this code is dim.

[2] If the fusible link needs replacement, it must be done by a qualified service agency. In addition, the cause of the overheat needs to be determined. The fusible link is a one use safety device that breaks to shut off the appliance.

[3] Remove any obstructions. The flue needs to be kept clear to expel exhaust gases. If the appliance fails to operate contact a qualified service agency.

Restart Function

If there is a power failure while the appliance is on, then the appliance will start automatically when the power is restored.

If the appliance fails to ignite, the appliance will attempt ignition after 1 hour. The “Ignition Failure” fault code, 11, will appear during that hour and disappears after a successful ignition. If ignition fails again, then the fault code will remain and another attempt to ignite will occur in 1 hour. The fault code is not stored in the fault code history.

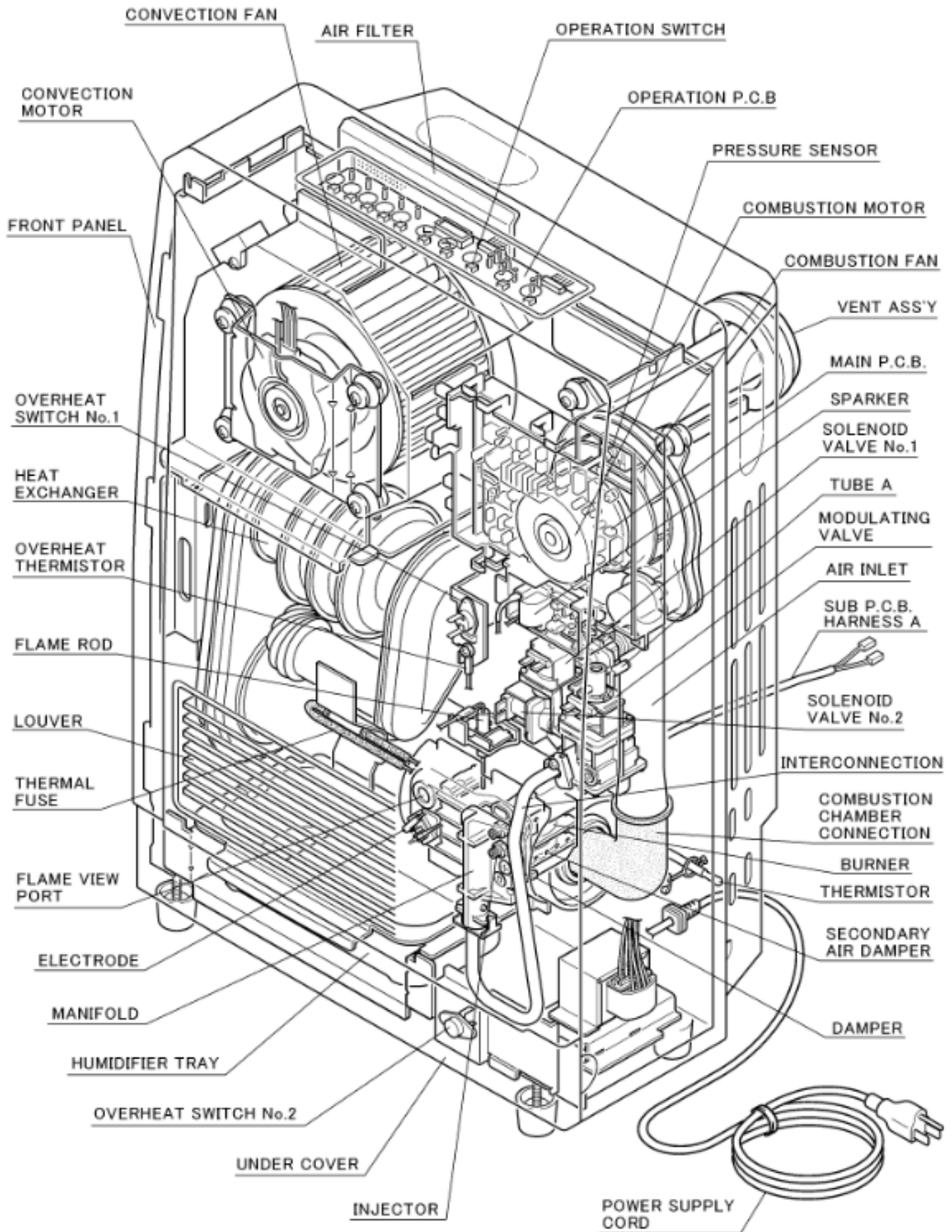
If the flame is extinguished during forced combustion then the appliance will attempt ignition after 1 hour. The “Ignition Failure” fault code, 11, will appear during that hour and disappears after a successful ignition. Forced combustion takes place for about 15-18 seconds before ignition. After this time, the temperature control logic controls the combustion.

If the flame is extinguished (burner combustion failure) while the temperature control logic is operating the appliance, then the appliance will immediately attempt ignition. No fault code will appear.

Troubleshooting

Issue	No ON Indicator	No Burner Ignition	Abnormal Combustion	Loss of Combustion	Smell of Gas	Noisy Ignition	Takes to Long to Warm Room	Remedy
Not Plugged in	●	●						Plug in
Power Failure	●	●		●				Restart Unit
(Initial Installation) Air in Gas Pipe		●						Purge Air (Installer)
Gas Filter Blocked		●	●				●	Service Call
Missed Ignition	●	●						Service Call
Flue Terminal Obstructed			●	●		●		Clear Obstruction
Flue Manifold not connected					●	●		Service Call
Louver Obstructed				●			●	Clear Obstruction
Air Filter Blocked				●			●	Clean Filter
Gas Escape					●			Service Call
Child Lock Set		●						Cancel Child Lock
Gas Off at Meter, Tank, or Valve		●						Turn Gas On
ON Timer is set		●						Cancel “ON” Timer
No Display								

Cut-Away Diagram



Wiring Diagram

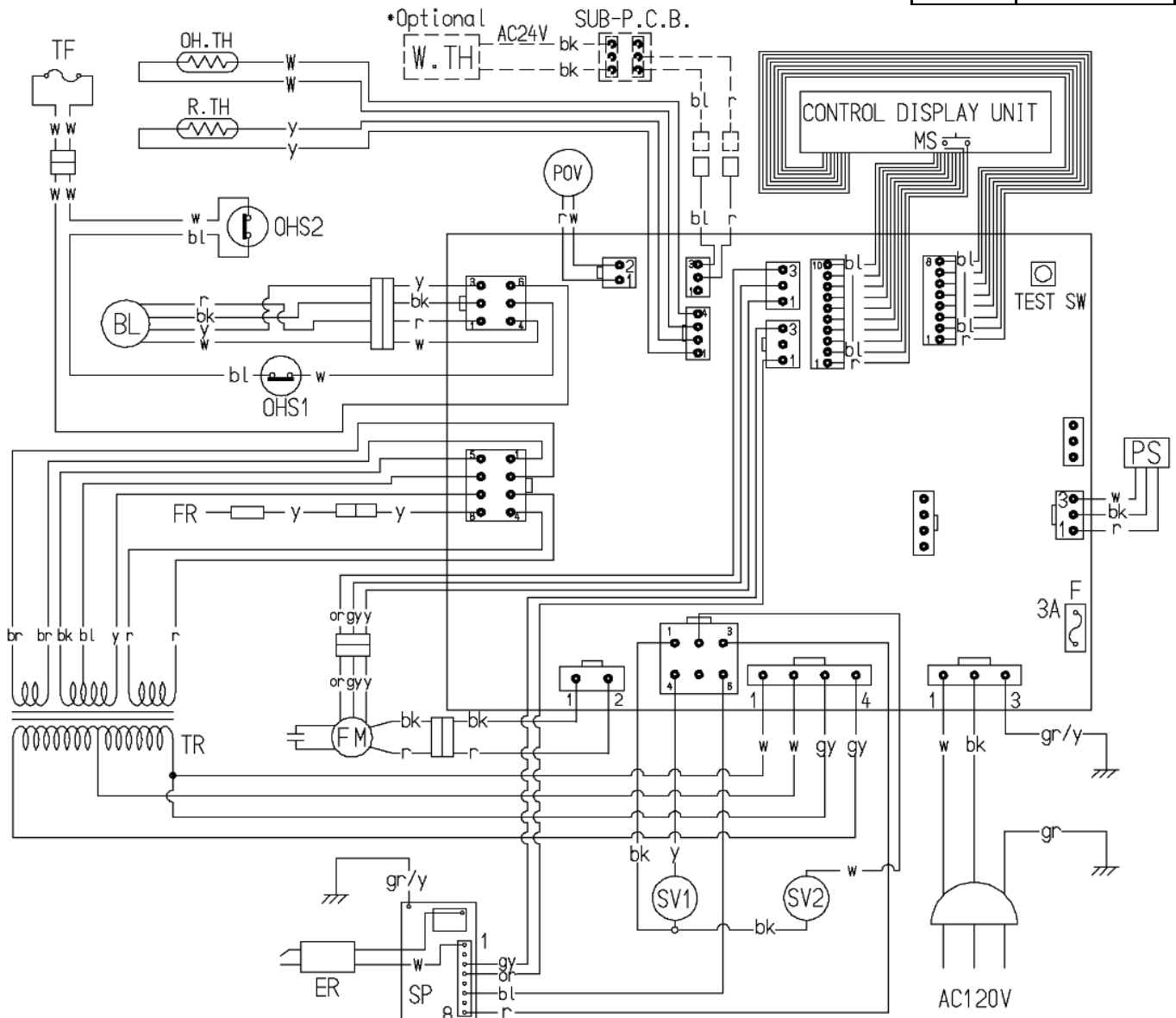
CAUTION

Label all wires prior to disconnection when servicing controls. Wiring errors can cause improper and dangerous operation.

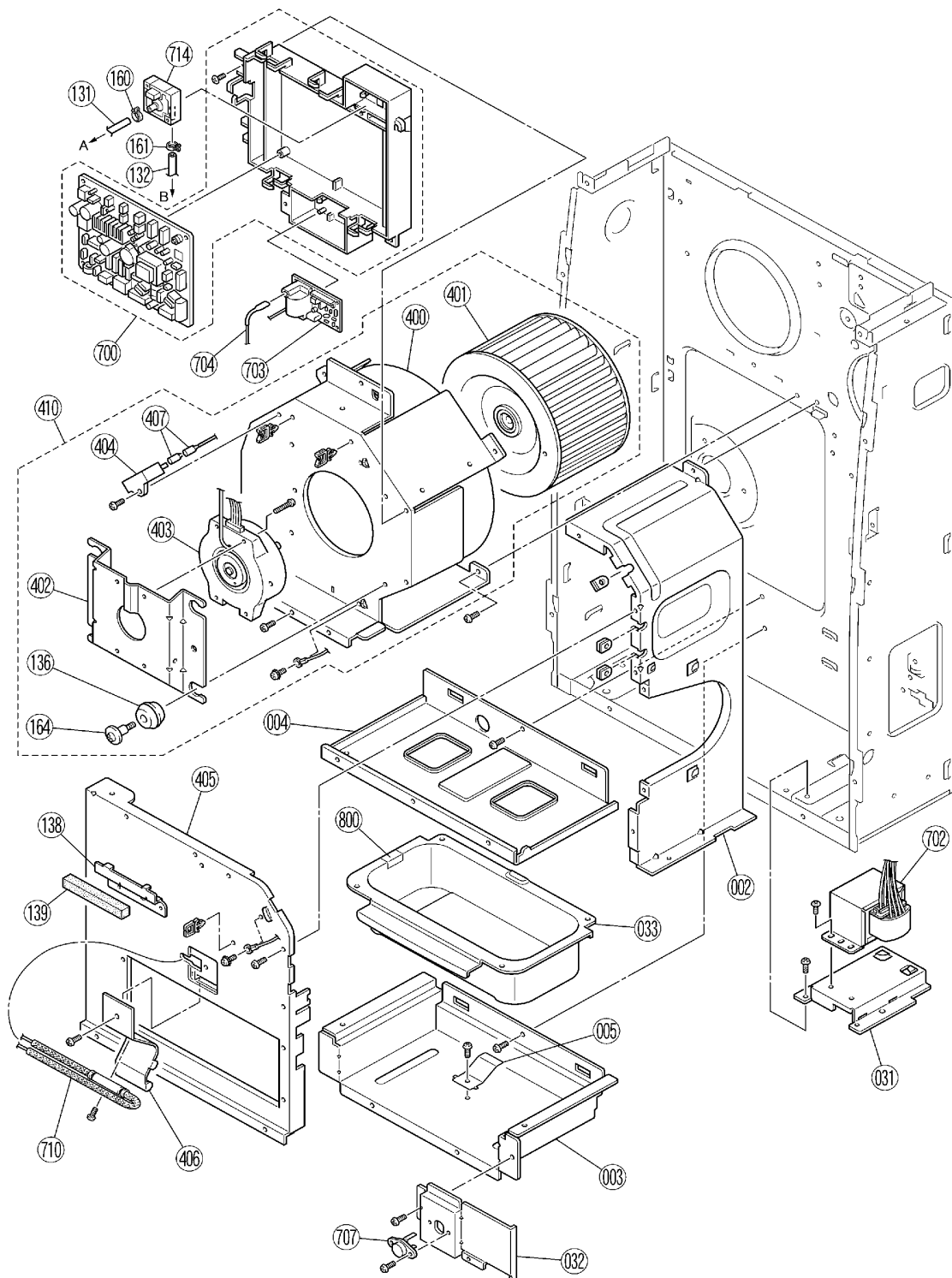
If any of the original wire as supplied with the appliance must be replaced, it must be replaced with type 18 AWG wire or its equivalent.

CODE	COLOR
bk	black
bl	blue
gr	green
gr/y	green/yellow
r	red
w	white
y	yellow
gy	gray
or	orange
br	brown

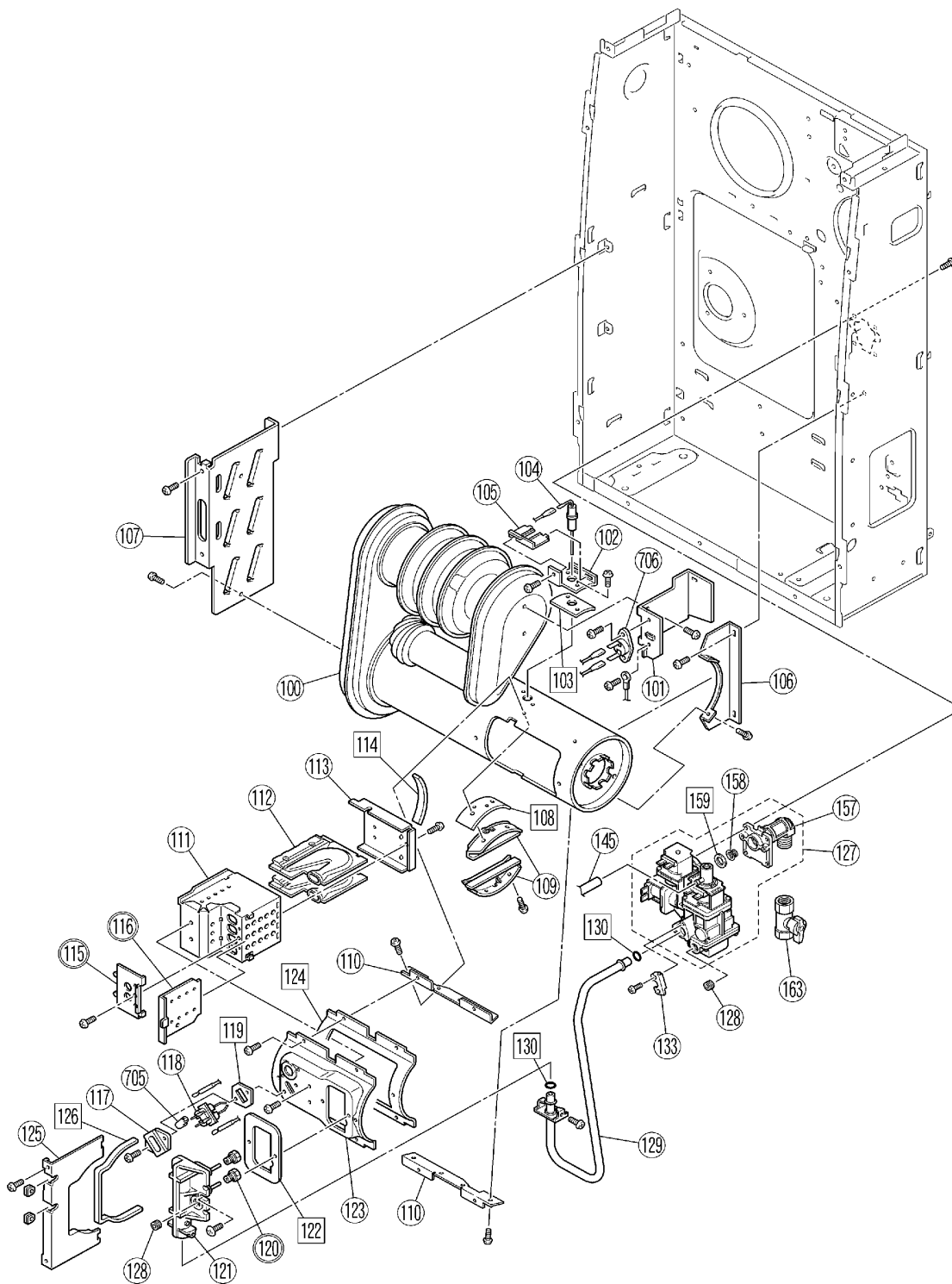
MARK	PART NAME	MARK	PART NAME
MS	MAIN SWITCH	OH.TH	OVER HEAT THERMISTOR
R.TH	THERMISTOR	OHS1, 2	OVER HEAT SWITCH 1, 2
TF	THERMAL FUSE	FM	CONVECTION FAN MOTOR
F	FUSE	SP	SPARKER
ER	ELECTRODE	SV1, 2	MAIN SOLENOID VALVE 1, 2
POV	MODULATING SOLENOID VALVE	BL	COMBUSTION FAN MOTOR
TR	TRANSFORMER	PS	PRESSURE SENSOR
FR	FLAME ROD	W. TH	WALL THERMOSTAT



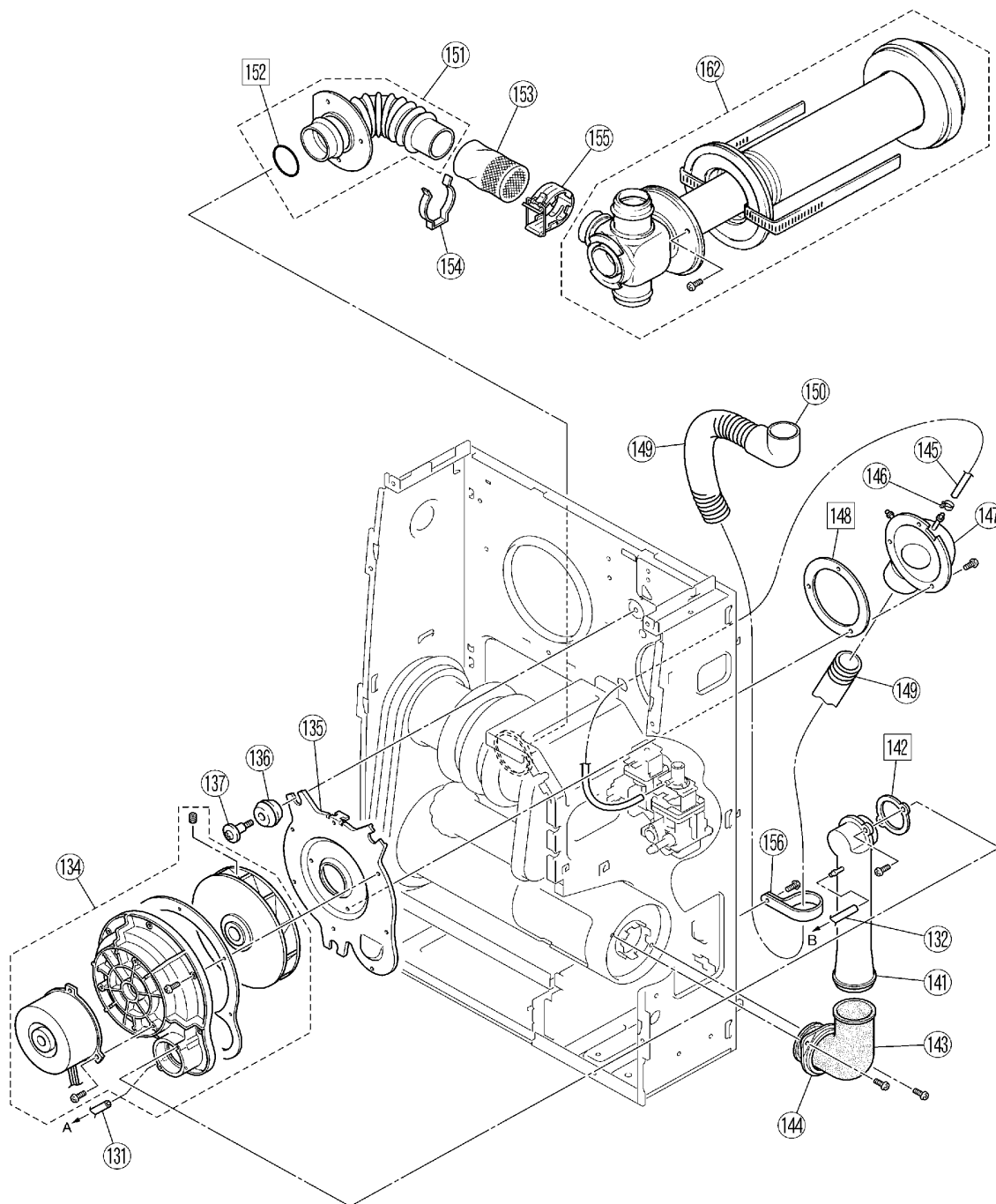
Parts List / Liste de Pièces



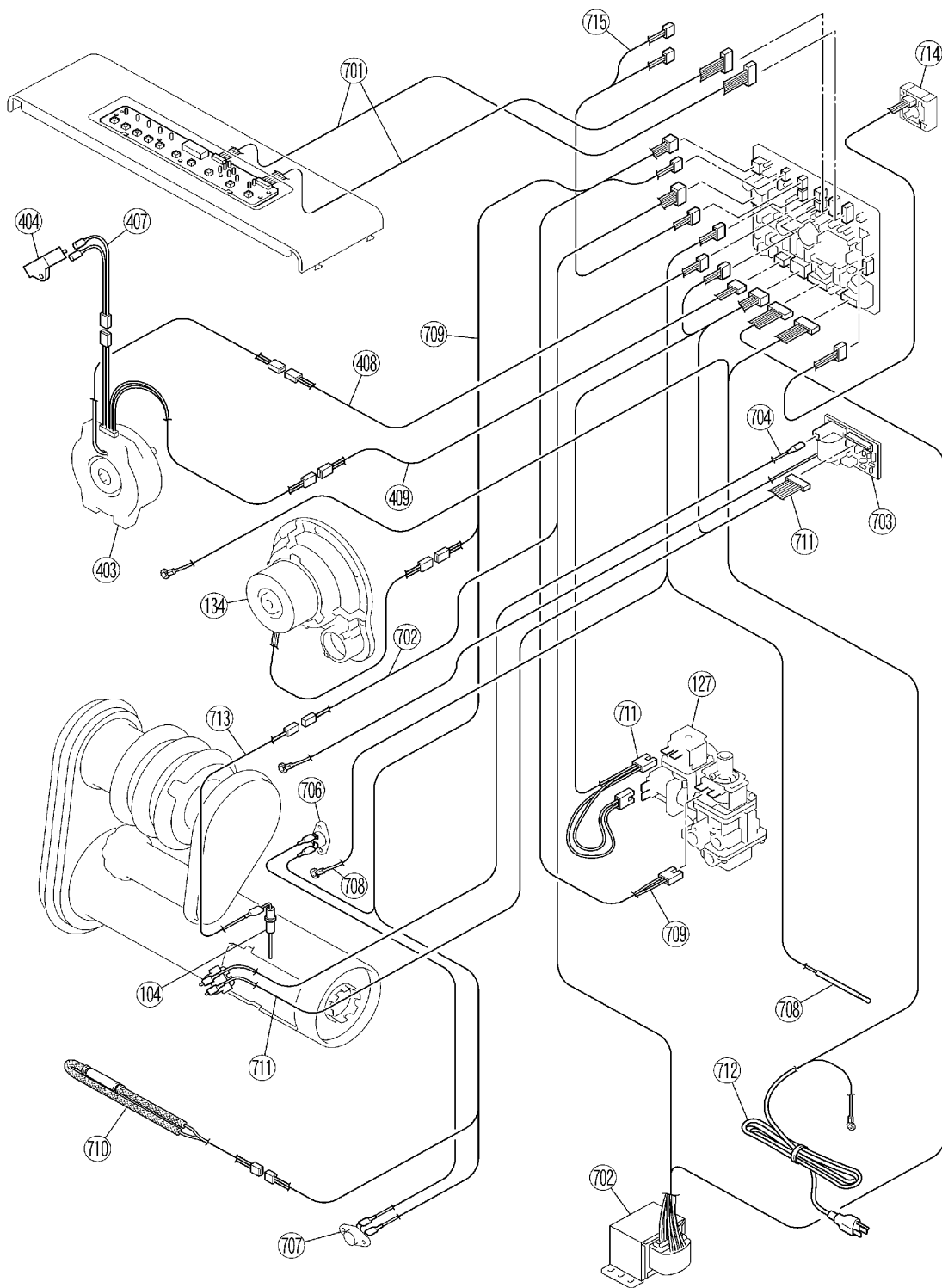
Parts List / Liste de Pièces



Parts List / Liste de Pièces



Parts List / Liste de Pièces



Parts List / Liste de Pièces

No	Name	Nom	Part Number (Numéro de la	EX08CT	EX11CT
001	Rear Panel Assembly	ensemble de panneau arrière	209000053		1
001	Rear Panel Assembly	ensemble de panneau arrière	209000054	1	
002	Frame Center	centre d'armature	209000055	1	1
003	Bottom Plate Support	appui d'embase	209000056	1	1
004	Bottom Plate Upper Partition	cloison de haut d'embase	209000057	1	1
005	Humidifier Tray Fixing Plate	support - bac d'humidificateur	209000058	1	1
006	Convection Fan Bracket	support - ensemble de ventilateur de convection	209000059	1	1
007	Air Filter Supporter(Side)	support - ensemble de filtre à air	556F-313	2	2
008	Air Filter Supporter	support - ensemble de filtre à air	308F-312	1	1
009	Heat Shield Panel	panneau écran thermique	308F-324-2	1	1
010	Floor Fixing Bracket	Parenthèse de fixation de plancher	308F-454	2	2
011	Front Panel B	panneau frontal B	209000060	1	1
012	Louver Assy C	ensemble de persiennes C	208000029		1
012	Louver Assy B	ensemble de persiennes B	208000028	1	
013	Under Cover B	sous l'assy de couverture B	209000061	1	1
014	Lock B	verrou B	209000062	2	2
015	Side Panel (L) B	panneau latéral gauche B	209000063	1	1
016	Side Panel (R) B	panneau latéral droit B	209000064	1	1
017	Front Leg	ped	554F-422	2	2
018	Leg	ped	554F-417	2	2
019	Air Filter Assy	ensemble de filtre à air	308F-462-3	1	1
020	Cover	couverture	209000065	1	1
021	Top Plate Supporter	soutien de plateau supérieur	209000066	1	1
022	Top Plate B	plateau supérieur B	209000067	1	1
023	Control Unit	boîtier de commande	205000044	1	1
024	Back Spacer Top B	espaceur arrière supérieur B	209000068	1	1
025	Back Spacer (R) B	espaceur arrière droite B	209000069	1	1
026	Back Spacer (L) B	panneau latéral gauche B	209000070	1	1
027	Wall Bracket	support mural	308F-9077	1	1
028	Power Supply Cord Bracket	support - cordon d'alimentation	RC-329-1033	1	1
029	Cable Clip	clip de câble	CP-90125-2	2	2
030	Cable Clip	clip de câble	209000071	3	3
031	Transformer Bracket	support transformateur	209000072	1	1
032	OHS No2 Bracket	support interrupteur de surchauffe	209000073	1	1
033	Humidifier Tray	bac d'humidificateur	308F-326	1	1
034	Spacer Bracket	support espaceur	RHF300-152	1	1
100	Heat Exchanger Assy	ensemble d'échangeur thermique	206000029	1	1
101	OHS Fixer	fixation interrupteur de surchauffe	209000135	1	1
102	Flame Rod Bracket	support - électrode de détection de flamme	209000074	1	1
103	Flame Rod Packing	garniture d'électrode de flamme	209000075	1	1
104	Flame Rod	électrode de flamme	1001F-104-3	1	1
105	Flame Rod Retainer	arrêteur - électrode de détection de flamme	209000076	1	1
106	Combustion Chamber Fixer	fixation de chambre de combustion	556F-215	1	1
107	Fixing Plate	plaque de fixation	209000077	1	1
108	Seal Plate Packing	garniture de plaque d'étanchéité	206000014	1	1
109	Seal Plate B	plaque d'étanchéité B	206000013	2	2
110	Flange Board	panneau de bride	209000020	2	2

Parts List / Liste de Pièces

No	Name	Nom	Part Number (Numéro de la Pièce)	EX08CT	EX11CT
111	Burner Box	ensemble de boîtier de brûleur	206000030	1	1
112	Burner Assy	ensemble de brûleur	B3A2-4	2	2
113	Burner Box Supporter Assy	support de boîtier de brûleur	556F-225-2	1	1
114	Burner Box Packing	garniture de boîtier de brûleur	556F-211	1	1
115	Damper (NG)	amortisseur (NG)	308F-209-13		1
115	Damper (LPG)	amortisseur (LPG)	308F-209-7		1
115	Damper	amortisseur	206000031	1	
116	Secondary Air Damper (NG)	amortisseur secondaire (NG)	308F-218-1		1
116	Secondary Air Damper (LPG)	amortisseur secondaire (LPG)	308F-218-3		1
116	Secondary Air Damper (NG)	amortisseur secondaire (NG)	556F-208-3	1	
116	Secondary Air Damper (LPG)	amortisseur secondaire (LPG)	206000032	1	
117	Electrode Mounting Plate	plaque de montage d'électrode	Kit 205000060 *	1	1
118	Electrode	électrode		1	1
119	Electrode Packing	garniture d'électrode		1	1
120	Injector (LPG)	Injecteur (LPG)	AU129-210-0.9		2
120	Injector (NG)	Injecteur (NG)	AU129-211-1.0	2	
120	Injector (LPG)	Injecteur (LPG)	206000034	2	
120	Injector (NG)	Injecteur (NG)	AU129-211-1.3		2
121	Manifold B	collecteur B	308F-202-2	1	1
122	Manifold Packing	garniture de collecteur	556F-203-2	1	1
123	Burner Box Fitting Plate Assy	jeu pour plaque de fixation de boîtier de brûleur	Kit 205000060 *	1	1
124	Fitting Plate Packing	garniture de plaque de fixation	209000078	1	1
125	Warm Air Seal Panel	panneau de fermeture d'air chaud	556F-305	1	1
126	Heat Exchanger Packing	enveloppe d'échangeur thermique	554F-421-2	1	1
127	Gas Control Assy	ensemble de commande de gaz	206000035	1	1
128	Test Port Screw	vis de liaison	AU39-965	2	2
129	Interconnection Assy	ensemble d'interconnexion	206000036	1	1
130	O Ring	joint torique	M10B-1-10	2	2
131	Tube C (Black)	tube C (noir)	1004F-2052-3	1	1
132	Tube A (Clear)	tube A (espace libre)	1004F-2052-1	1	1
133	Connecting Tube Retainer	fixation de tube de connexion	209000079	1	1
134	Combustion Fan Motor Assy	anneau	208000030	1	1
135	Combustion Fan Motor Bracket	support anneau	209000080	1	1
136	Cushion Rubber	coussinet caoutchouc	308F-8273	7	7
138	Front Panel Bracket	support panneau frontal	209000081	1	1
139	Front Panel Packing	garniture d'panneau frontal	209000082	1	1
140	Lock Bracket	support verrou	209000083	2	2
141	Air Inlet C	arrivée d'air C	208000032		1
141	Air Inlet B	arrivée d'air B	208000031	1	
142	Air Inlet Packing	garniture d'arrivée d'air	209000084	1	1
143	Combustion Chamber Connection	fixation de chambre de combustion	208000033	1	1
144	Connecting Tube Fixer	fixation de tube de connexion	208000018	1	1
145	Tube E	tube E	208000034	1	1
146	Clip J	Clip J	209000085	1	1
147	Air Inlet A	arrivée d'air A	553F-340-1	1	1
148	Air Inlet Packing	garniture d'arrivée d'air	RHF300F-79	1	1

* Kit 205000060 includes electrode mounting plate, electrode, electrode packing, and burner box fitting plate assy.

Parts List / Liste de Pièces

No	Name	Nom	Part Number (Numéro de la Pièce)	EX08CT	EX11CT
149	Air Intake Hose	tuyau d'entrée d'air	RHF300-51-8	1	1
150	Air Inlet Elbow	coude d'arrivée d'air	RHF300-52	1	1
151	Exhaust Elbow Assy	coude d'échappement	208000035	1	1
152	O Ring E	joint torique E	RHF300-200-E	1	1
153	Cover	couverture	302F-1103-2	1	1
154	Ring	joint	302F-1206	1	1
155	Pipe Stopper Assembly	ensemble de ventilation	305F-0017	1	1
156	Clamp	bride	CP-90378	2	2
157	Gas Inlet	arrivée de gaz	431F-1110	1	1
158	Gas Filter	filtre à gaz	206000037	1	1
159	Packing	garniture	209000086	1	1
160	Clip O	Clip O	209000087	1	1
161	Clip N	Clip N	209000088	1	1
162	Vent Assy	couvercle	431F-1900	1	1
163	ON-OFF Valve Assy	ensemble de vanne M/A	BRR37-244	1	1
164	Screw For Motor	vis pour moteur	209000130	4	4
400	Convection Fan Casing Assy	enveloppe - ventilateur de convection	209000089	1	1
401	Convection Fan	ensemble de ventilateur de convection	308F-231	1	1
402	Motor Base	socle de moteur	208000036	1	1
403	Convection Motor Assy	moteur de convection	208000037	1	1
404	Capacitor	condensateur	556F-259-2		1
404	Capacitor	condensateur	205000029	1	
405	Heat Shield Board Assy	plaque écran thermique	209000090	1	1
406	TF Fixing Plate	support - TF	308F-313	1	1
407	Capacitor Harness	toron de condensateur	205000030	1	1
408	Detection Harness	toron de indicateur	205000031	1	1
409	Convection Motor Harness	toron de moteur de convection	205000032	1	1
410	Convection Fan Total Assy	ensemble de ventilateur de convection	208000038		1
410	Convection Fan Total Assy	ensemble de ventilateur de convection	208000039	1	
700	PC Board Assembly	ensemble de carte de circuit imprimé	205000033		1
700	PC Board Assembly	ensemble de carte de circuit imprimé	205000034	1	
701	Control Circuit Board	circuit imprimé	205000035	1	1
702	Transformer	transformateur	205000036	1	1
703	Igniter	allumeur	205000037	1	1
704	High Tension Cord	cordon haute tension	205000038	1	1
705	Sleeve	manchon	3022-0344	1	1
706	Overheat Switch	interrupteur de surchauffe	ES-01171	1	1
707	Overheat Switch	interrupteur de surchauffe	ES-01170	1	1
708	Room Thermistor Assembly	thermistance de pièce	205000039	1	1
709	Motor Harness	toron de moteur	205000040	1	1
710	TF Harness	toron - TF	205000041	1	1
711	SV.IG Harness	toron d'allumeur	205000042	1	1
712	Power Supply Cord	cordon d'alimentation	205000043	1	1
713	FR Lead	liaison FR	431F-1430	1	1
714	Pressure Sensor	détecteur de pression	205000057	1	1
715	SUB-P.C.B Harness A	Harnais de carte PC secondaire	205000092	1	1

Parts List / Liste de Pièces

No	Name	Nom	Part Number (Numéro de la Pièce)	EX08CT	EX11CT
800	Water Line Label	ligne de flottaison étiquette	550F-1418	1	1
801	Operation Label	étiquette d'opération	200000059	1	1
802	Power Supply Cord label	étiquette de corde d'alimentation d'énergie	431F-1860	1	1
803	Exhaust Caution Label B	étiquette d'attention	1001F-1654	1	1
804	Caution Label	étiquette d'attention	RHF559-1240	1	1
888	Operation Manual	manuel	200000057	1	1

Conversion Kits (Optional) / Kits de conversion (facultatifs)

Model (Modèle)	For converting to NG (Pour la conversion NG)	For converting to LPG (Pour la conversion LPG)
EX08CT (RHFE-202FTA2)	204000033	204000037
EX11CT (RHFE-265FTA2)	204000034	204000038

Warranty

The installer is responsible for your water heater's correct installation.

Please complete the information below to keep for your records:

Purchased from: _____

Address: _____ Phone: _____

Date of Purchase: _____

Model No.: _____

Serial No.: _____

Installed by: _____ Installer's License No.: _____

Address: _____ Phone: _____

Date of Installation: _____

Limited Warranty

Gas Direct Vent Wall Furnace

What is covered?

This Warranty covers any defects in materials or workmanship, subject to the terms stated below. This Warranty extends to the original purchaser and subsequent transferees, but only while the product remains at the site of the original installation. This Warranty only extends through the first installation of the product and terminates if the product is moved or reinstalled at a new location.

How long does coverage last?

Item	Period of Coverage
Heat Exchanger	10 years from date of purchase
All Other Parts	5 years from date of purchase
Reasonable Labor	2 years from date of purchase

What will Rinnai do?

Rinnai will repair or replace the covered product or any part or component that is defective in materials or workmanship as set forth. Rinnai will pay reasonable labor charges associated with the repair or replacement of any such part or component. All repair parts must be genuine Rinnai parts. All repairs or replacements must be performed by an individual or servicing company that is properly trained, state qualified or licensed to do the type of repair.

Limited Warranty - continued

Replacement of the product may be authorized by Rinnai only. Rinnai does not authorize any person or company to assume for it any obligation or liability in connection with the replacement of the product. If Rinnai determines that repair of a product is not possible, Rinnai will replace the product with a comparable product at Rinnai's discretion. If a component or product returned to Rinnai is found to be free of defects in material or workmanship, or damaged by improper installation or damaged during return shipping, the warranty claim for product, parts and labor may be denied.

How do I get service?

You must contact a state qualified/licensed contractor or authorized service provider for the repair of a product under this Warranty. For the name of a qualified/authorized service provider please contact your place of purchase, visit the Rinnai website (www.rinnai.us), call Rinnai at 1-800-621-9419 or write to Rinnai at 103 International Drive, Peachtree City, Georgia 30269.

Proof of purchase is required to obtain warranty service. You may show proof of purchase with a dated sales receipt, or by registering within 30 days of purchasing the product. To register your appliance, please visit www.rinnai.us. For those without internet access, please call 1-866-RINNAI1 (745-6241). Receipt of Registration by Rinnai will constitute proof-of-purchase for this product. However, Registration is not necessary in order to validate this Warranty.

What is not covered?

This Warranty does not cover any failures or operating difficulties due to the following:

- accident, abuse, or misuse
- alteration
- misapplication
- force majeure
- improper installation (such as but not limited to, condensate damage, improper venting, incorrect gas type, or incorrect gas pressure)
- improper conversion (including conversions for inventory adjustment)
- improper maintenance (such as but not limited to vent blockage)
- incorrect sizing
- any other causes other than defects in materials or workmanship

This Warranty does not apply to any product whose serial number or manufacture date has been defaced.

Limitation on warranties

No one is authorized to make any other warranties on behalf of Rinnai America Corporation. Except as expressly provided herein, there are no other warranties, expressed or implied, including, but not limited to warranties of merchantability or fitness for a particular purpose, which extend beyond the description of the warranty herein and further Rinnai shall not be liable for indirect, incidental, special, consequential or other similar damages that may arise, including lost profits, damage to person or property, loss of use, inconvenience, or liability arising from improper installation, service or use. Some states do not allow the exclusion or limitation of incidental or consequential damages, so the above limitation may not apply to you.

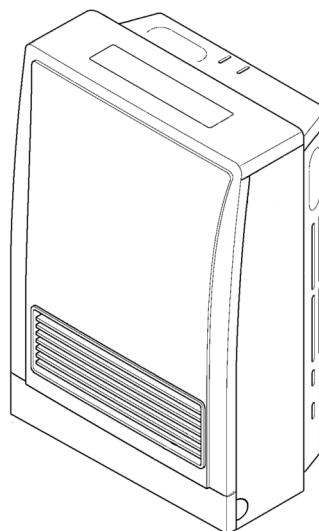
Any implied warranties of merchantability and fitness arising under state law are limited in duration to the period of coverage provided by this limited Warranty, unless the period provided by state law is less. Some states do not allow limitations on how long an implied Warranty lasts, so the above limitation may not apply to you.

This Warranty gives you specific legal rights, and you may also have other rights which vary from state to state.

NOTES

EX08CT (RHFE-202FTA2)
EX11CT (RHFE-265FTA2)

Installateur : Laissez ce manuel avec l'appareil.
Consommateur : Conservez ce manuel comme référence ultérieure.



LISEZ SOIGNEUSEMENT TOUTES CES INSTRUCTIONS AVANT D'INSTALLER OU D'UTILISER CET APPAREIL.

Ce manuel fournit des informations sur l'installation, l'utilisation et l'entretien du générateur d'air chaud. Pour un bon fonctionnement et la **sécurité**, il est important de suivre ces instructions et de respecter les précautions de sécurité.

Un professionnel agréé doit installer le générateur d'air chaud à ventilo-convecteur en suivant exactement les instructions de ce manuel.

Le consommateur doit lire le manuel en entier pour faire fonctionner correctement le générateur d'air chaud et accomplir son entretien régulier.



AVERTISSEMENT

Si les informations de ces instructions ne sont pas suivies exactement, il peut en résulter un départ d'incendie ou une explosion, causant des dégâts matériels et des blessures pouvant être mortelles.

- N'entreposez pas ou n'utilisez pas d'essence ou d'autres vapeurs ou liquides inflammables à proximité de cet appareil ou de n'importe quel autre.
- **QUE FAIRE SI VOUS SENTEZ DU GAZ**
 - N'essayez d'allumer aucun appareil.
 - Ne touchez à aucun interrupteur électrique. N'utilisez aucun téléphone dans votre bâtiment.
 - Appelez immédiatement votre fournisseur de gaz depuis un téléphone du voisinage. Suivez les instructions qu'il vous donnera.
 - Si vous ne pouvez pas joindre votre fournisseur de gaz, appelez les pompiers.
- Installation et interventions de service doivent être effectuées par un professionnel agréé.

Enregistrez votre produit sur www.rinnairregistration.com ou téléphonez au 1-866-RINNAI1 (746-6241)

Table des matières

Table des matières	50	Verrouillage pour les enfants	73
Définitions de sécurité	50	Mode à thermostat distant (Accessoire Optionnel)	74
Comportements et pratiques de sécurité pour le Consommateur et l'Installateur	51	Réglage de l'horloge	75
Instructions d'installation (pour professionnel agréé)		Paramétrage et utilisation des minuteries	75
Réglementations d'états	52	Fonction de surpassement	75
Installation des composants de la ventilation inclus	53	Économie (Mode d'économie énergétique)	76
Instructions d' Installation	54	Fonction d'Abaissement	76
Préparation pour l'installation	55	Humidificateur et direction de flux d'air	77
Détermination de l'emplacement de l'installation .	55	Entretien et Maintenance	
Dégagements de sortie d'évacuation	56	Entretien et Maintenance	78
Dégagement par rapport aux combustibles	57	Avant de demander une intervention	79
Liste de contrôle pour choisir l'emplacement de l'installation	57	Codes de diagnostic	80
Installation du collecteur cheminée	58	Fonction de redémarrage	81
Installation du kit d'extension	60	Dépannage	81
Raccordement de l'appareil	63	Vue en coupe	82
Branchement du gaz	64	Schéma de câblage	83
Réglages de pression de gaz	64	Diagramme en escalier	84
Dimensions	68	Liste de Pièces	37
Spécifications	69	Garantie	
Instructions d'Utilisation Générateur d'air chaud à Ventilation Directe		Garantie	85
Fonctionnement sans risques	71		
Connaissance de votre appareil	72		
Panneau de commandes	73		
Marche / Arrêt	73		

AVIS: Rinnai partage parfois des informations de contact de clients avec des entreprises qu'il estime pouvoir fournir des produits ou services qui peuvent vous être utiles. En communiquant ces informations, vous donnez votre accord pour que nous communiquions vos informations de contact dans ce but. Si vous préférez que vos informations ne soient pas partagées avec ces entreprises, veuillez contacter notre service à la clientèle et demander à ce que cela ne se fasse pas pour vous. Nous continuerons cependant dans ce cas à vous contacter nous-mêmes avec des informations relatives au(x) produit(s) que vous avez enregistré(s) et/ou sur votre compte chez nous.

Si vous avez des questions, ou pensez que ce manuel est incomplet, contactez Rinnai au 1-800-621-9419.

Importantes informations de sécurité

Définitions de sécurité



Ceci est un symbole d'alerte. Il vous prévient de dangers potentiels qui pourraient causer des blessures ou la mort pour vous et les autres.



Indique une situation dangereuse imminente qui, si elle n'est pas évitée, entraînera une blessure grave voire mortelle.



Indique une situation dangereuse potentielle qui, si elle n'est pas évitée, pourrait entraîner une blessure grave voire mortelle.



Indique une situation dangereuse potentielle qui, si elle n'est pas évitée, pourrait entraîner une blessure de gravité faible à moyenne. Ce symbole peut aussi s'utiliser pour vous mettre en garde contre des pratiques dangereuses.

Attitudes et pratiques de sécurité pour consommateur et installateur



AVERTISSEMENT

- Les réparations doivent être effectuées par un technicien de service qualifié.
- Gardez la zone autour de l'appareil dégagée et exempte de matières combustibles, d'essence et d'autres vapeurs ou liquides inflammables.
- Ne stockez jamais de bouteilles de propane liquide à l'intérieur.
- N'utilisez pas cet appareil si une partie quelconque a été immergée dans de l'eau. Appelez immédiatement un professionnel agréé pour inspecter l'appareil et remplacer toute pièce du système de contrôle et toute commande de gaz qui aurait séjourné sous l'eau.
- Cet appareil est équipé d'une fiche d'alimentation à 3 broches (avec terre) pour votre protection contre le risque d'électrocution, il est à brancher directement dans une prise secteur 3 broches convenablement reliée à la terre. Ne coupez pas et n'enlevez pas la broche de terre de cette fiche secteur.
- Toute altération de cet appareil ou de ses commandes peut être dangereuse.
- Ne faites pas fonctionner cet appareil avec ses panneaux enlevés, fissurés ou cassés. Le remplacement des panneaux ne doit être effectué que par du personnel de service agréé ou qualifié.



ATTENTION

- Ne bloquez pas la sortie de l'air chaud. Ne laissez personne dormir directement en face de l'appareil.
- Du fait de ses températures élevées, l'appareil doit être situé hors du trafic et à distance du mobilier et des draperies.
- Les enfants et les adultes doivent être prévenus des dangers de la température de surface élevée, et doivent rester à l'écart pour éviter des brûlures ou inflammations des vêtements.
- Les jeunes enfants doivent rester sous surveillance quand ils sont dans la pièce de l'appareil.
- Des vêtements ou d'autres matières inflammables ne doivent pas être placés sur l'appareil ou à proximité.
- Tout écran ou protection de sécurité qui a été enlevé pendant une intervention est à remettre en place avant de remettre l'appareil en marche.
- N'insérez pas d'objets dans les volets.
- Ne pulvérisez pas avec des bombes aérosol près de l'appareil en marche. La plupart de ces bombes contiennent du gaz butane inflammable.
- Ne débranchez pas électriquement l'appareil quand il est en marche ou quand les ventilateurs tournent encore.
- Ne vous servez pas de vos mains nues pour toucher les volets avant, les températures élevées causeraient des brûlures.
- Portez une protection de la main pour toucher les couvercles à l'arrière des côtés, les volets avant et l'admission arrière pour le ventilateur de convection.
- Évitez une accumulation de poussière sur le cordon secteur, les couvercles de côté, et les pièces derrière l'appareil.
- Ne vous asseyez pas sur le générateur d'air chaud.
- Ne placez pas de conteneurs de liquide sur le dessus du générateur d'air chaud. De l'eau renversée peut causer de gros dégâts à l'appareil et peut entraîner une commotion électrique.

Instructions d'installation (pour professionnel agréé)

Réglémentations d'états

AVIS AVANT TOUTE INSTALLATION

L'appareil Rinnai à ventilation directe doit être installé par un sous-traitant qualifié ou agréé au niveau de la province, ou un installateur Rinnai correctement formé.

Si vous n'avez pas reçu la formation appropriée, vous ne devez pas installer cet appareil.

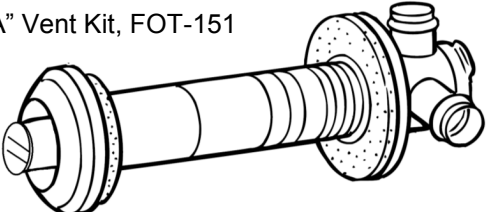

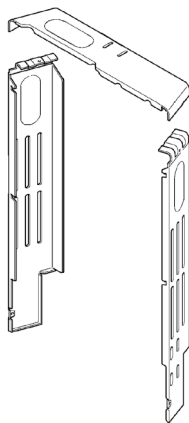


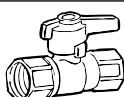




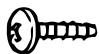
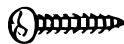
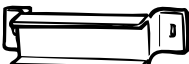

IMPORTANT : Dans l'état américain du Massachusetts (248 CMR 4.00 et 5.00)

Pour tout équipement carburant au gaz à montage mural ventilé horizontalement, installé dans tout logement, bâtiment ou toute structure, utilisé en tout ou en partie pour des fins résidentielles, incluant ce qui est possédé et utilisé par le Commonwealth, et où la terminaison de ventilation sur mur de côté est à moins de sept (7) pieds au-dessus du niveau final de sol dans la zone de ventilation, incluant sans y être limité plates-formes et porches, les exigences qui suivent doivent être satisfaites :

1. **INSTALLATION DE DÉTECTEURS DE MONOXYDE DE CARBONE.** Au moment de l'installation de l'équipement carburant au gaz ventilé horizontalement sur un mur de côté, le plombier ou le monteur d'installation au gaz doit veiller à ce qu'un détecteur de monoxyde de carbone câblé en fixe, avec alarme et batterie de secours, soit installé au niveau du sol à l'endroit où l'équipement à gaz sera placé. De plus, le plombier ou le monteur d'installation au gaz doit veiller à ce qu'un détecteur de monoxyde de carbone câblé en fixe ou sur batterie, avec une alarme, soit installé aussi à chaque étage du logement, bâtiment ou de la structure qui est desservi par cet équipement carburant au gaz ventilé horizontalement sur un mur de côté. Il doit être de la responsabilité du propriétaire des locaux de faire appel à des professionnels agréés qualifiés pour l'installation des détecteurs de monoxyde de carbone câblés en fixe.
 - a. Dans l'éventualité où l'équipement carburant au gaz ventilé horizontalement sur un mur de côté serait installé dans un vide sanitaire ou des combles, le détecteur de monoxyde de carbone câblé en fixe et sa batterie de secours peuvent être installés au niveau du plancher adjacent le plus proche.
 - b. Au cas où les exigences de cette subdivision ne pourraient pas être satisfaites au moment de l'achèvement de l'installation, le propriétaire a un délai de trente (30) jours pour se mettre en conformité, dans la mesure où pendant cette période il aura installé un détecteur de monoxyde de carbone provisoire sur batterie.
2. **DÉTECTEURS DE MONOXYDE DE CARBONE APPROUVÉS.** Chaque détecteur de monoxyde de carbone exigé en conformité avec les dispositions qui précèdent doit être en conformité avec NFPA 720, être listé ANSI/UL 2034 et certifié IAS.
3. **SIGNALISATION.** Une plaque d'identification en métal ou en plastique doit être montée en permanence à l'extérieur du bâtiment à une hauteur d'au moins huit (8) pieds au-dessus de niveau du sol, en alignement direct avec la terminaison de ventilation pour l'appareil de chauffage ou l'équipement carburant au gaz avec une ventilation horizontale. Cette signalisation doit stipuler, en lettre capitales d'au moins un demi-pouce : **"GAS VENT DIRECTLY BELOW (Évacuation de gaz brûlés juste en dessous). KEEP CLEAR OF ALL OBSTRUCTIONS"** (À n'obstruer d'aucune façon).
4. **INSPECTION.** L'inspecteur, local ou de la province, mandaté pour cet équipement carburant au gaz ventilé horizontalement sur un mur de côté, le doit pas approuver l'installation si son inspection ne constate pas la présence des détecteurs de monoxyde de carbone et la signalisation, en conformité avec les dispositions 1 à 4 de 248 CMR 5.08(2)(a).

Installation des composants de la ventilation inclus

Les articles suivants sont livrés avec l'appareil :

Collecteur de fumée.....1 "A" Vent Kit, FOT-151					Joint caoutchouc de rechange ¹ (appareils à ventilation « A » uniquement)		(pour installations avec parement bois)
Jeu d'espaces arrière		1	Fermeture de tuyau		1		
			Fermeture d'isolation		1		
			Vanne manuelle		1		
			Attache plastique pour arrivée d'air		3		
Manuel d'utilisation		1	Attache plastique (L=250 mm)		2		
Vis (M4)	 Pour définir d'espacement arrière	4	Vis (M4)	 (pour collecteur de fumée)	3		
Vis (M4)	 Pour les images de prise d'air / support de séparateur	4	Vis (bois) (M4.8x 32)	 (pour support mural)	5		
Support mural		1	Support espaceur		1		

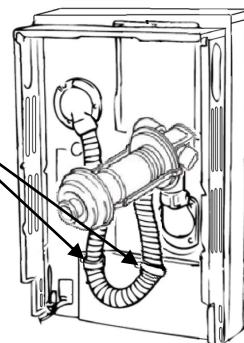
Collecteurs de cheminée

Les dimensions de collecteurs d'évacuation suivants sont disponibles pour plusieurs épaisseurs de mur :



Nom	N° de kit	Convient à des murs de
S Vent Kit	FOT-150	3 - 4 1/2 in (75 - 115 mm)
A Vent Kit	FOT-151	4 1/2 - 9 1/2 in (115 - 240 mm)
B Vent Kit	FOT-152	9 1/2 - 15 3/4 in (240 - 400mm)
C Vent Kit	FOT-153	15 3/4 - 23 5/8 in (400 - 600 mm)
D Vent Kit	FOT-154	23 5/8 - 31 1/2 in (600 - 800 mm)

* Ces pinces devraient être situés ici



Instructions d'Installation

Qualifications de l'Installateur

C'est un installateur professionnel agréé qui doit installer l'appareil, l'inspecter, et tester des fuites éventuelles avant son utilisation. La garantie pourrait être annulée du fait d'une installation incorrecte. L'installateur doit avoir des compétences dans ces domaines :

- Calibration de fourniture de gaz.
- Raccordement des conduites de gaz et d'eau, des vannes et de l'électricité.
- Connaissance des normes applicables (nationales, provinciales et locales).
- Installation de la ventilation au travers d'un mur.
- Formation reçue sur l'installation de générateurs d'air chaud à ventilation directe. (Du perfectionnement est accessible en ligne sur le site www.trainingevents.rinnai.us).

Type d'installation

- Produit à installer dans des applications résidentielles et commerciales.
- Certifié pour une installation dans des maisons (mobiles) préfabriquées.

Cet appareil peut être installé comme une installation OEM dans une maison préfabriquée (États-Unis seulement) ou mobile, et doit l'être en conformité avec les instructions du constructeur et les normes *Manufactured Home construction and Safety Standard, Title 24 CFR, Part 3280*, aux USA, ou bien *Mobile Home Standard, CAN/CSA Z240 MH Series*, au Canada.

Cet appareil peut être installé dans une maison préfabriquée (États-Unis seulement) ou mobile, déjà installée à demeure, si les règlements locaux le permettent.
Cet appareil ne doit être utilisé qu'avec le type de gaz indiqué sur sa plaque signalétique. Il n'est pas convertible pour une utilisation avec d'autres gaz, sauf en cas d'utilisation d'un kit de conversion certifié.

AVIS

Si l'installation est à un endroit plus haut que 2 001 pieds (610 m), suivez la procédure d'ajustement des paramètres de pression de gaz. Les valeurs de puissance d'entrée sont basées sur le niveau de la mer, et ne doivent être changées jusqu'à une altitude de 2 000 pieds (610 m).

Instructions générales

- Cet appareil envoie un gros volume d'air chaud près du niveau du sol. Toutes les particules dans l'air, comme de la fumée de cigarette, peuvent causer une décoloration des moquettes en nylon contenant des colorants ou des surfaces en vinyle.
- Rinnai recommande d'utiliser un circuit d'alimentation secteur dédié, 120 V/60 Hz, pouvant fournir 10 ampères.

- Une prise pour test de pression est prévue pour vérifier la pression différentielle au collecteur. Elle est située sur la vanne de gaz modulante.

À FAIRE

- Si vous déménagez, contrôlez le type de gaz de votre nouvelle région. La régie locale de fourniture de gaz pourra vous renseigner sur les réglementations locales.
- L'installation doit se faire en conformité avec les normes locales, ou à défaut, avec la *norme américaine sur le gaz combustible, ANSI Z223.1/NFPA 54*, ou la *norme canadienne sur les installations au gaz naturel et au propane, CSA B149.1*.
- Une installation dans une maison préfabriquée (USA uniquement), ou une maison mobile de constructeur, doit se faire en conformité avec la norme de *Construction et sécurité des maisons préfabriquées, Title 24 CFR, Part 3280*, ou quand cette norme n'est pas applicable avec les normes pour *Installations de maisons préfabriquées, ANSI Z225.1*, ou la norme pour *Véhicules de loisirs et maisons mobiles équipées au gaz, CSA Z240.4*.
- L'appareil une fois installé doit être relié électriquement à la terre en conformité avec les normes locales, ou à défaut, avec la *norme américaine électrique, ANSI/NFPA 70*, ou la *norme canadienne électrique, CSA C22.1*.
- L'appareil et sa vanne de gaz d'alimentation devront être débranchés du système de conduite d'alimentation en gaz durant tout test de pression de ce système au-delà de 1/2 psi (3,5 kPa).
- L'appareil devra être isolé du système de conduite d'alimentation en gaz en fermant sa vanne de coupure manuelle d'alimentation pour tout test de pression de ce système en dessous de 1/2 psi (3,5 kPa).
- Si le sol est recouvert de moquette, ou tout autre matériau combustible autre que le bois, l'appareil peut être installé sur panneau de métal ou de bois dépassant de la largeur et de la profondeur de l'appareil.
- Cet appareil ne doit être utilisé qu'avec le type de gaz indiqué sur sa plaque signalétique. Il n'est pas convertible pour une utilisation avec d'autres gaz, sauf en cas d'utilisation d'un kit de conversion certifié. Si une conversion de l'appareil est nécessaire, il faut la faire exécuter par un prestataire de service qualifié, aux frais du propriétaire.
- L'appareil doit être correctement calibré pour le volume devant être chauffé. Il est recommandé qu'un calcul de perte de chaleur en BTU selon la norme industrielle soit effectué pour déterminer le calibre correct de l'appareil.
- Suivez les instructions d'installation et celles d'entretien et maintenance pour que l'arrivée d'air de combustion et de ventilation soit adéquate.

À ÉVITER

- Cet appareil n'est pas conçu pour être intégré.
- Cet appareil ne doit pas être connecté sur une cheminée desservant un autre appareil brûlant du combustible solide.
- Le flux d'air de combustion et de ventilation ne doit pas être obstrué.



AVERTISSEMENT

N'utilisez pas de matériel de substitution.
N'utilisez que des pièces certifiées pour aller avec l'appareil.

Préparation pour l'installation

Outils nécessaires

- Clés à tuyaux (2)
- Lunettes de sécurité
- Pincés réglables
- Niveau
- Tournevis (2)
- Pincés coupantes
- Gants

Outils pouvant être nécessaires

- Perceuse à percussion avec forets pour béton
- Chalumeau et accessoires
- Scie
- Coupe-tubes en cuivre
- Fileteuse avec têtes et burette d'huile
- Coupe-tubes d'acier
- Foret aléseur avec tête diamant

Matériaux nécessaires

- Solution savonneuse ou spéciale pour détection de fuites de gaz
- Bande Téflon (recommandée) ou composition pour tuyaux
- Ventilation approuvée

Matériaux pouvant être nécessaires

- Bande résistant à la chaleur
- Boîtier électrique à commande unique
- Isolant pour tuyaux
- Bouchons serre-fils
- Chevilles pour murs en béton
- Cache-tuyau optionnel
- Contrôleur de température optionnel
- Câble à deux conducteurs 22 AWG pour le contrôleur

Détermination de l'emplacement de l'installation

Vous devez assurer que tous les dégagements seront respectés et que la longueur de ventilation sera dans les limites requises. Prenez en considération l'environnement de l'installation. Les besoins concernant la conduite de gaz et la connexion électrique peuvent se trouver dans leurs sections d'installation spécifiques de ce manuel.

Environnement

L'air entourant la ventilation et la/les terminaison(s) de ventilation est utilisé pour la combustion, et ne doit comporter aucun des composés pouvant provoquer une corrosion de composants internes. Cela inclut des composés corrosifs venant des bombes aérosol, des détergents, agents de blanchiment, solvants de nettoyage, peintures à l'huile/vernis, et réfrigérants.

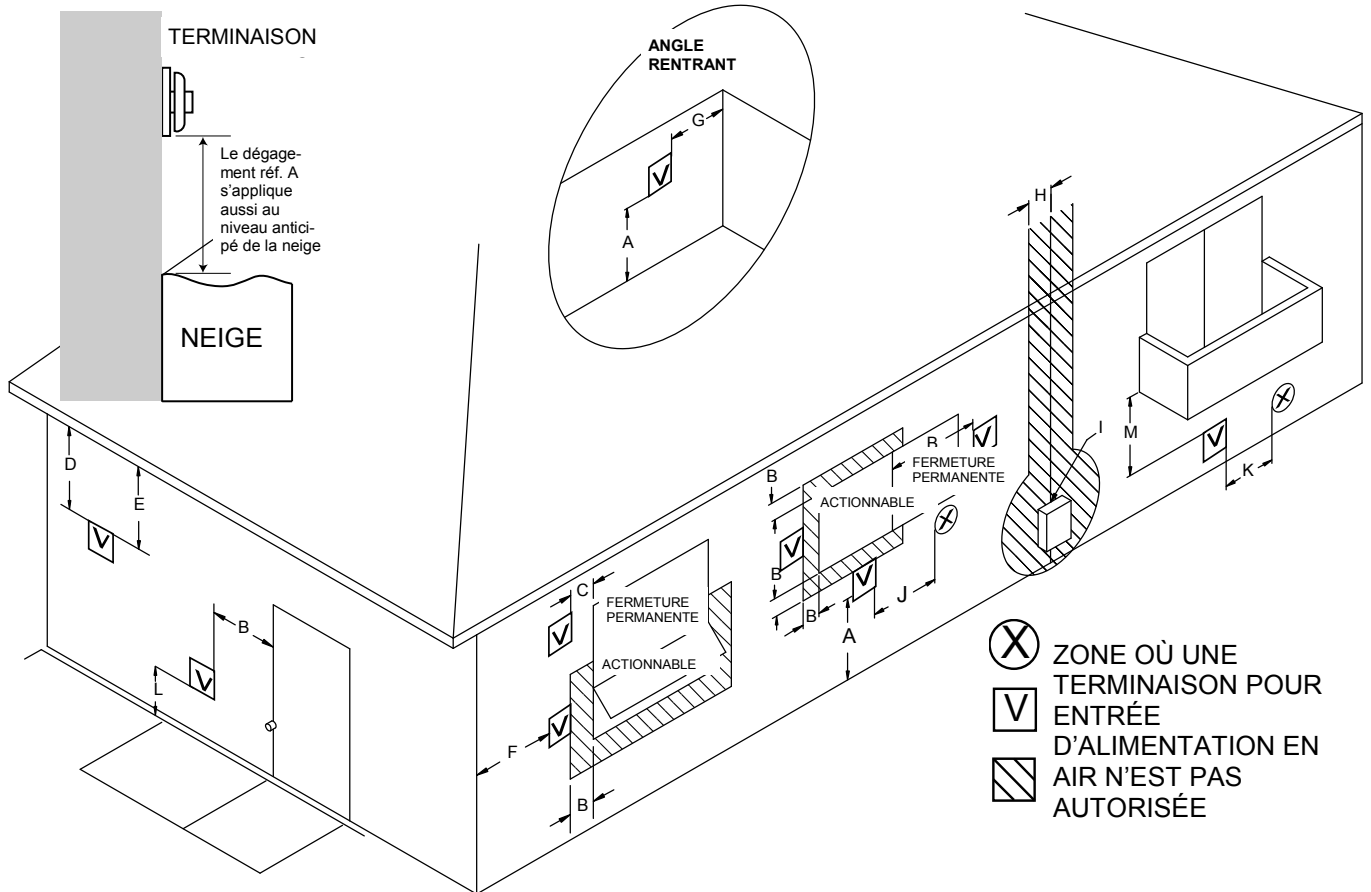
Le générateur d'air chaud, la ventilation et la/les terminaison(s) de ventilation ne doivent pas être installés dans toute zone où l'air est susceptible de contenir ce type de composés corrosifs. S'il est nécessaire que le générateur d'air chaud soit placé dans des zones pouvant contenir des composés corrosifs, les instructions qui suivent sont fortement recommandées.

IMPORTANTES CONSIDÉRATIONS :

- N'installez **PAS** dans des zones où l'air pour la combustion peut être contaminé par des produits chimiques.
- Avant l'installation, prenez en considération où l'air a la possibilité de circuler dans le bâtiment vers le générateur d'air chaud.
- Installez-le le plus loin possible de toutes les bouches d'admission d'air. Des fumées corrosives peuvent être libérées par ces événements quand l'air n'est pas aspiré dedans.
- Des produits chimiques de nature corrosive ne doivent pas être entreposés ou utilisés près du générateur d'air chaud ou de la terminaison de ventilation.

Les dommages et les réparations résultant de la présence de composés corrosifs dans l'air ne sont pas couverts par la garantie.

Dégagements de sortie d'évacuation



Réf.	Description	Installations canadiennes	Installations américaines
A	Dégagement au-dessus de niveau du sol, véranda, porche, plate-forme ou balcon	12 po (30 cm)	12 po (30 cm)
B	Dégagement par rapport à porte ou fenêtre pouvant être ouverte	EX08CT - 6 po (15 cm) EX11CT - 9 po (23 cm)	EX08CT - 6 po (15 cm) EX11CT - 9 po (23 cm)
C	Dégagement par rapport à une fenêtre restant fermée en permanence	*	*
D	Dégagement vertical par rapport à un soffite ventilé, situé au-dessus de la terminaison à une distance horizontale de moins de 2 pieds (60 cm) de l'axe de cette terminaison	*	*
E	Dégagement par rapport à un soffite non ventilé	*	*
F	Dégagement par rapport à un angle sortant	*	*
G	Dégagement par rapport à un angle rentrant	20 po (50 cm)	20 po (50 cm)
H	Dégagement par rapport à une ligne centrale prolongée au-dessus de l'ensemble de compteur/régulateur	3 pi (91 cm) dans une hauteur de 15 pi (4,5 m) au-dessus de l'ensemble compteur/régulateur	*
I	Dégagement par rapport à la sortie de ventilation d'un régulateur de service	3 pi (91 cm)	*
J	Écartement par rapport à une admission d'air non-mécanique dans le bâtiment, ou l'arrivée d'air de combustion vers un autre appareil	EX08CT - 6 po (15 cm) EX11CT - 9 po (23 cm)	EX08CT - 6 po (15 cm) EX11CT - 9 po (23 cm)
K	Dégagement par rapport à une admission d'air mécanique	6 pi (1,83 m)	3 pi (91 cm) au dessus si dans 10 pi (3 m) horizontalement
L	Dégagement au-dessus de passage ou de trottoir pavé appartenant au domaine public	7 pi (2,13 m) ①	*
M	Dégagement par-dessus véranda, porche, plate-forme ou balcon	12 po (30 cm) jusqu'aux matériaux non-inflammables ②	12 po (30 cm) jusqu'aux matériaux non inflammables ②

[1] Une ventilation ne doit pas se terminer directement au-dessus d'un trottoir ou d'une voie de circulation pavée qui serait située entre deux constructions familiales et desservant les deux.

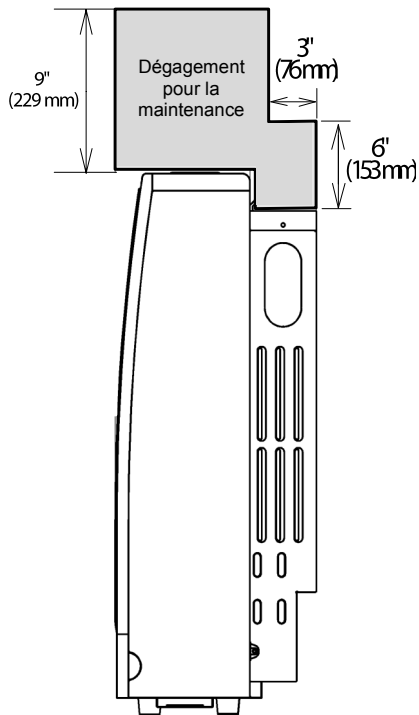
[2] Autorisé seulement si véranda, porche, plate-forme ou balcon ont une complète ouverture au moins sur deux côtés en-dessous de l'étage.

* Pour des dégagements non spécifiés dans ANSI Z223.1/NFPA 54, ils devront être en conformité avec les normes locales d'installation et les exigences du fournisseur de gaz.

Le dégagement par rapport à un mur opposé est de 24 pouces (60 cm).

Dégagements additionnels

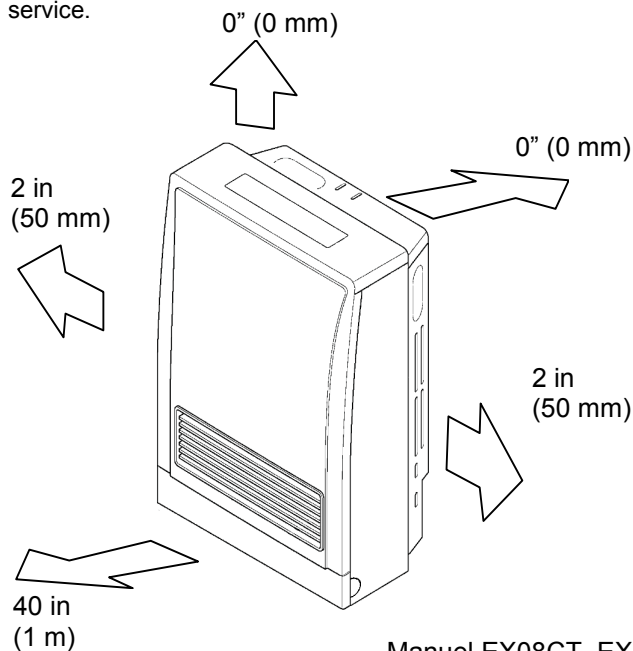
Les dégagements pour accéder à l'appareil durant les interventions sont de 254 mm (10 po.) sur les côtés et de 1 m (40 po.) sur l'avant, plus la zone montrée matérialisée en grisé au-dessus de l'appareil.



Dégagements par rapport aux combustibles

Au moment de la détermination de l'endroit d'installation de l'appareil, les dégagements par rapport aux combustibles montrés sur la figure ci-contre sont à respecter. Référez-vous également à la section sur les Comportements et pratiques de sécurité.

Rinnai recommande un dégagement de 254 mm (10") à partir du dessus et des deux côtés pour les interventions de service.



AVIS

Le dégagement de 1 m (40 po.) depuis l'avant de l'appareil ne tient pas compte du matériau de sol ou de la moquette faisant moins de 30 mm (1,2 po.) de hauteur.

Liste de contrôle pour choisir l'emplacement de l'installation

- Le générateur d'air chaud n'est pas exposé à des composés corrosifs dans l'air.
- L'emplacement du générateur d'air chaud permet de respecter les dégagements.
- La ventilation prévue ne dépassera pas la longueur maximale en fonction du nombre de coudes utilisés.
- L'emplacement prévu pour la terminaison de ventilation/admission d'air permettra de respecter les dégagements.
- De l'air de l'intérieur n'est pas utilisé pour la combustion.
- Il y a une prise secteur 120 V/60 Hz à trois broches avec liaison de terre correcte.
- L'installation doit être en conformité avec les normes locales, ou en leur absence avec la norme américaine *ANSI Z223.1/NFPA 54 (Gaz combustible)*, ou la norme canadienne *CSA B149.1 (Installations au gaz naturel ou propane)*. En cas d'installation en maison préfabriquée, il faut se conformer à la norme américaine pour *Construction de maison préfabriqué et sécurité, Titre 24 CFR, Partie 3280* et/ou à la norme canadienne *CAN/SCA Z240 Série MH (Maisons mobiles)*.
- Laissez le manuel complet au consommateur**

Installation du collecteur de cheminée

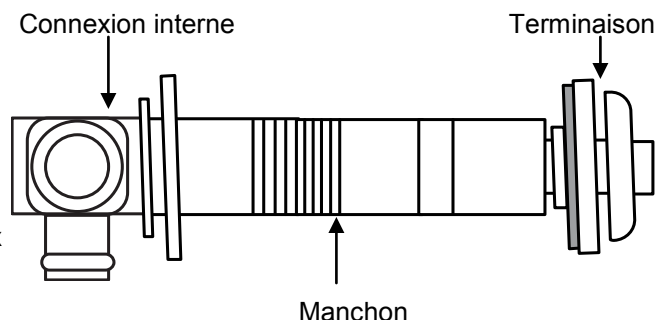
- Le collecteur de cheminée doit sortir sur l'extérieur. N'évacuez pas dans d'autres pièces;
- Le collecteur de cheminée n'est pas conçu pour être positionner sous des planchers ou plus bas que le générateur d'air chaud.
- La terminaison ne peut pas être verticale.
- L'appareil ne peut être utilisé qu'avec l'un des cinq types de kit de cheminée Rinnai. Ces kits de cheminée et leurs dimensions sont listés en page précédente.
- Référez-vous aux dégagements prévus pour la terminaison de cheminée.

1. Démontez le collecteur de cheminée.

La cheminée est constituée de 3 parties :

- manchon
- connexion interne
- connexion externe

Procédez au démontage en commençant par extraire la connexion interne. Pour enlever la terminaison extérieure tirez et relâchez les deux fixations internes et sortez-la alors.



Le dégagement par rapport à des combustibles pour le manchon et les brides est nul.

2. Réglez la longueur du manchon.

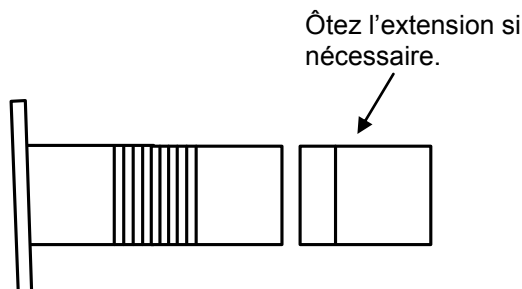
Mesurez l'épaisseur du mur au travers du trou de 80 mm (3-1/8 po.) précédemment percé.

L'extrémité du manchon doit dépasser de 5-10 mm (3/16-3/8 po.) de l'extérieur du mur.

Le manchon est fileté pour l'ajustement. Adaptez la longueur du manchon à l'épaisseur du mur plus 5-10 mm (3/16-3/8 po.).

REMARQUE : N'étendez pas au-delà de la ligne rouge.

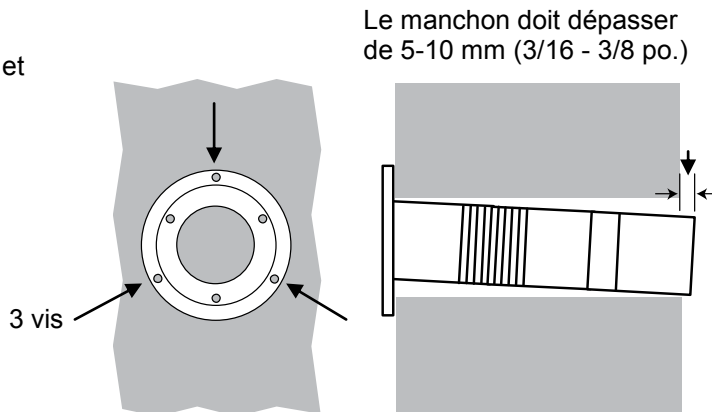
Pour un collecteur de cheminée autre que le type "S", si une longueur plus petite est nécessaire une extension peut être ôtée. Coupez le plastique et ôtez l'extension.



3. Fixez le manchon.

Fixez sur l'intérieur du mur en utilisant 3 vis et en positionnant la bride de façon à ce que l'indication "TOP" soit vers le haut.

La bride est inclinée de 2° pour permettre aux condensats de couler vers l'extérieur.

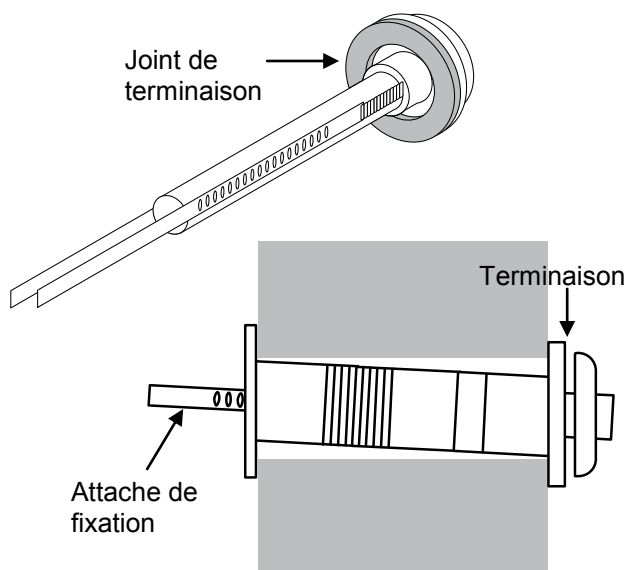


Installation du collecteur de cheminée (suite)

4. Installez la terminaison :

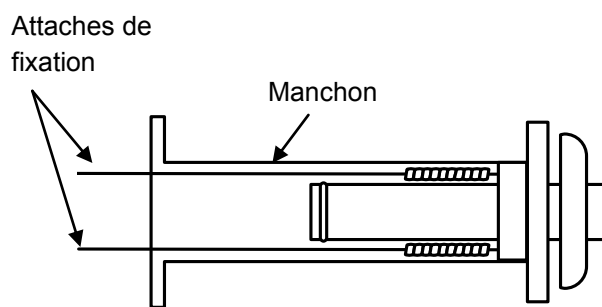
Contrôlez que le joint de terminaison est en place. Pour des murs avec bardage, ajoutez un deuxième joint près du premier pour compenser l'angle de bardage.

Depuis l'extérieur insérez la terminaison dans le manchon en gardant le marquage "TOP" vers le haut. L'attache de fixation de côté gauche doit être marquée "LEFT".



6. Fermez les attaches :

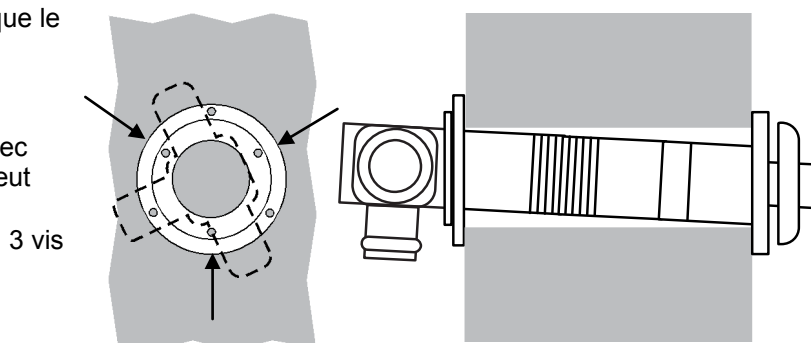
En tirant fort sur les attaches de gauche et de droite, accrochez-les sur les crans à l'intérieur du manchon. Vous devez pouvoir tirer les attaches de 2 ou 3 crans après le point de départ. Coupez le bout des attaches, en ne laissant qu'environ 20 mm (3/4 po.) après le cran. Repliez les attaches dans les manchons parallèlement au mur.



7. Insérez l'ensemble de connexion intérieure :

Poussez l'ensemble dans le tube de terminaison, en vous assurant que le joint est en place dans sur tube intérieur.

Fixez la connexion intérieure avec 3 vis. La connexion intérieure peut toujours être tournée pour installer les vis.



Installation du kit d'extension (EX11CT seulement)

Si nécessaire, des kits d'extension sont disponibles pour prolonger la conduite d'évacuation et le tuyau d'admission d'air entre collecteur de fumée et appareil.

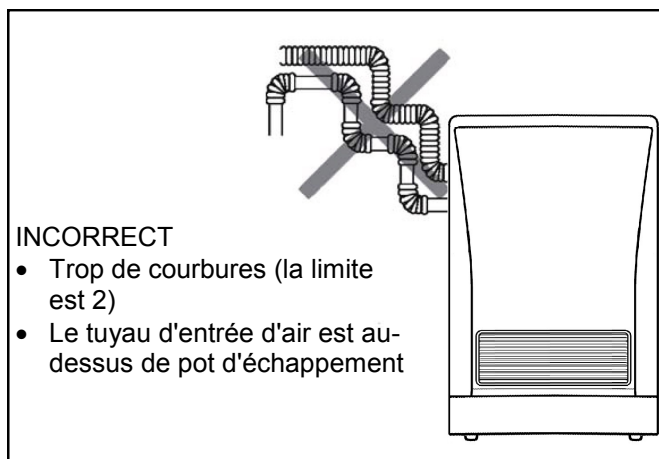
- (1) La longueur maximale évent est de 13 pieds (4 m) avec 2 plis. Le tuyau tordue relié au matériel ne compte pas dans la limite maximale de 2 plis.
- (2) Pour les altitudes au ou en dessous de 2000 pieds (610 m), la longueur de verticale maximale est de 8 pieds (2,4 m). Pour les altitudes au-dessus de 2000 pieds (610 m), la longueur maximale verticale est 5 pieds (1,5 m).
- (3) Si l'extension est plus longue que celui indiqué dans le tableau ci-dessous, le condensat peut déborder le pan de condensation. Par conséquent, extension dépassant cette longueur devrait drainer vers l'extérieur et pente 3 ° vers le bas.

8 pieds (2,4 m) au ou en dessous de 2000 pieds (610 m)
--

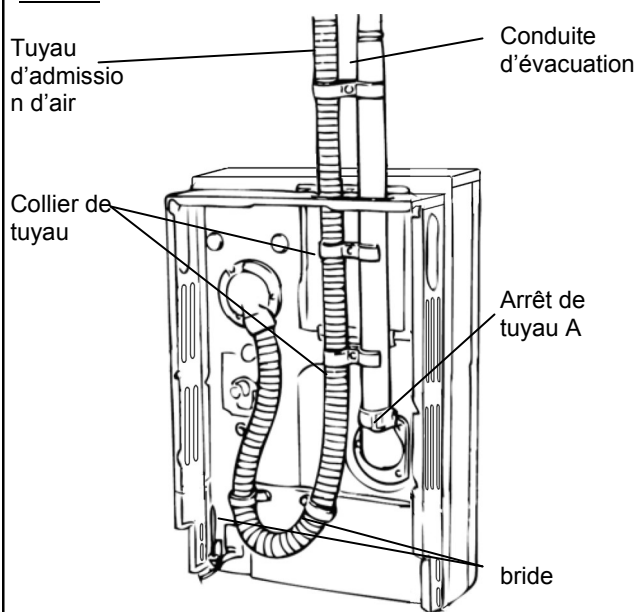
5 pieds (1,5 m) au-dessus de 2000 pieds (610 m)

- (4) Ne permettez pas des points bas sur la conduite d'évacuation où du condensat pourrait s'accumuler. Dans le cas contraire, les condensats peut bloquer le gaz d'échappement et affectent la combustion
- (5) Les extensions de ventilation installées dans un espace à l'air non conditionné doivent être isolées avec un matériau pour haute température et doivent rester accessibles.
- (6) Les extensions de ventilation ne doivent pas être dissimulées selon la norme NFPA 54 et doivent rester accessibles pour permettre leur inspection et réparation. Des caches décoratifs sont disponibles chez Rinnai.

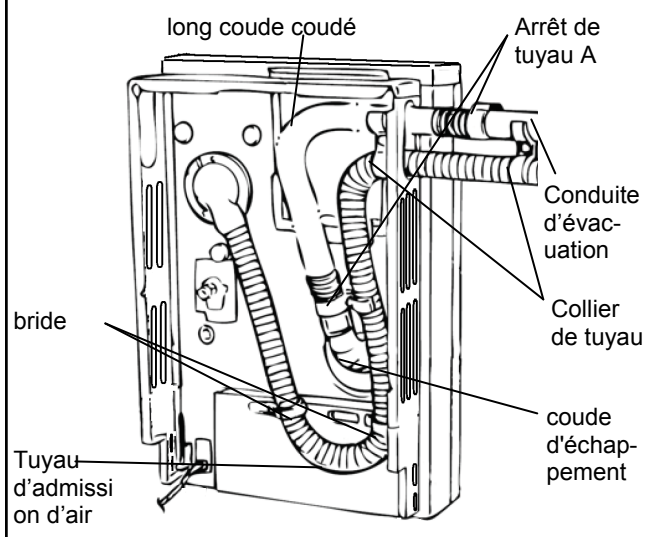
Ces illustrations montrent 3 façons possibles d'orienter l'extension de la conduite d'évacuation et du tuyau d'admission d'air en partant du collecteur de fumée. Ces trois illustrations sont vues de derrière l'appareil. **Pour votre configuration, positionnez le tuyau d'admission d'air comme c'est montré.**



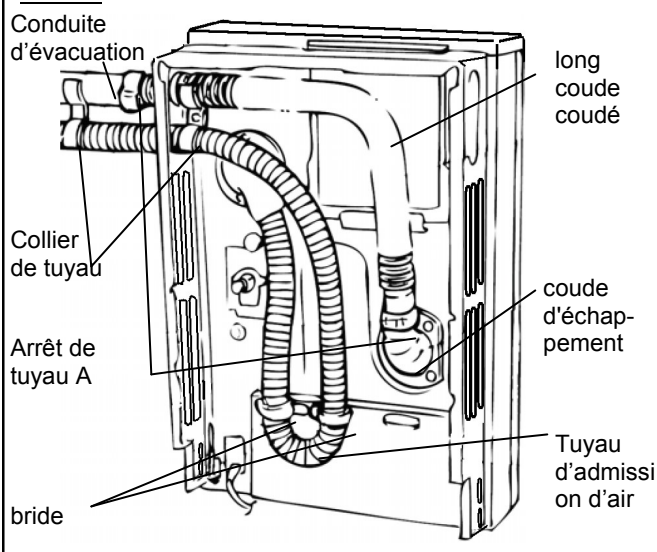
CAS A



CAS B



CAS C



Installation du kit d'extension (EX11CT seulement)

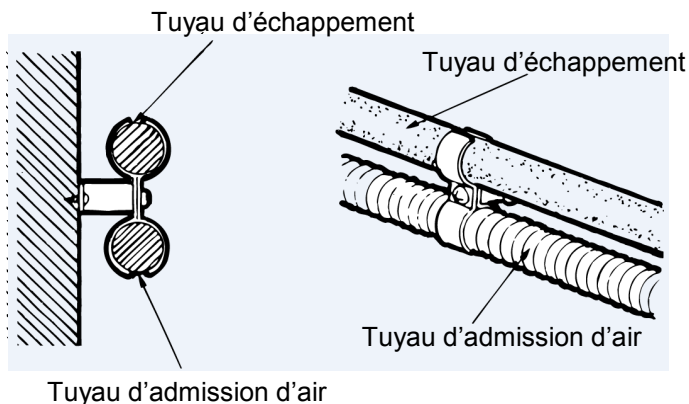
ATTENTION Utilisez des arrêts de tuyau, des connecteurs, des colliers et des vis selon ces instructions de façon à assurer une absence de fuite sur les tuyaux d'échappement.

Dégagements	Tuyau d'échappement à des combustibles	1 pouce (25,4 mm)
	Tuyau d'échappement à des non combustibles	zéro

Colliers

La conduite d'échappement ainsi que le tuyau d'admission d'air sont supportés par des colliers qui sont fixés au mur. Une fixation murale peut être utilisée pour décaler le collier du mur. Utilisez une vis B pour fixer le support au mur. Si le support mural n'est pas utilisé, servez-vous de cette vis A et de l'écrou pour fixer le collier directement au mur.

Le tuyau d'admission d'air doit toujours être en dessous de la conduite d'échappement, pour qu'en cas d'affaissement du tuyau d'admission d'air il ne vienne pas en contact avec la conduite d'échappement.



Installation de la conduite d'échappement

La conduite d'échappement est connectée entre le raccord coudé à l'arrière de l'appareil et le port d'échappement sur le collecteur de cheminée.

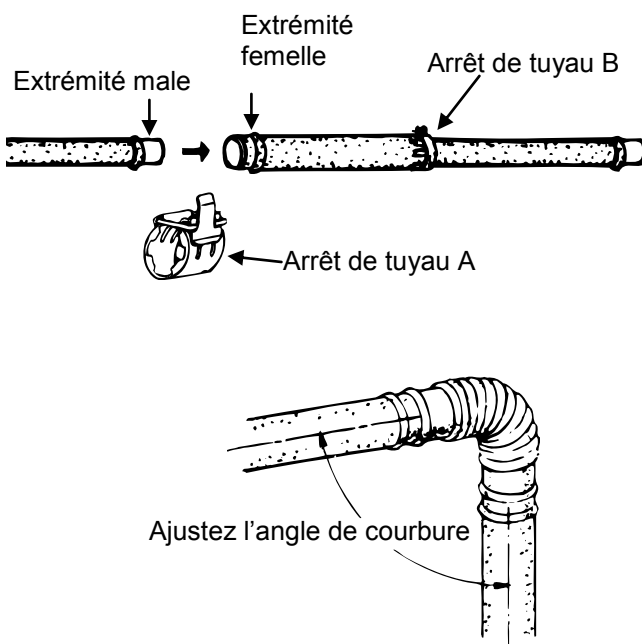
Pour connecter des tuyaux d'échappement avec soit du tuyau droit soit des coudes, raccordez l'extrémité mâle dans l'extrémité femelle. Utilisez un arrêt de tuyau A pour serrer la connexion.

Utilisez un arrêt de tuyau B pour fixer les tuyaux d'échappement à la longueur voulue. N'étendez pas ces tuyaux au-delà de la ligne rouge.

Ne coupez pas le tuyau d'échappement. Utilisez des tuyaux à longueur réglable si nécessaires.

Pour former le coude, insérez les tuyaux d'échappement. Courbez à l'angle voulu.

Ne cherchez pas à redresser le raccord coudé en sortie de l'appareil.



Connexion du tuyau d'admission d'air

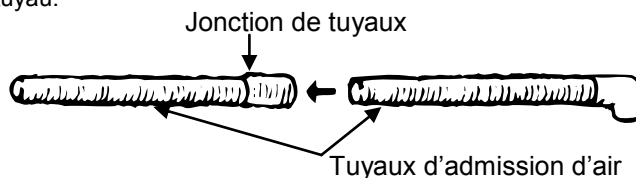
Le tuyau d'admission d'air est connecté entre l'entrée d'air à l'arrière du générateur d'air chaud et le port d'admission d'air sur le collecteur de cheminée.

Poussez le tuyau d'admission d'air dans le collecteur de cheminée et fixez avec l'attache de serrage en plastique.

Faites la jonction des tuyaux d'admission d'air en vissant la jonction pour tuyaux sur la moitié de sa longueur dans un tuyau, et sur l'autre moitié dans un deuxième tuyau.

Les longueurs de conduite d'échappement et de tuyau d'admission d'air doivent être égales de façon à ce que l'appareil fonctionne correctement. Le tuyau peut être coupé à la longueur voulue. Ébavurez les extrémités irrégulières. Ne coupez pas le tuyau fixé à l'appareil.

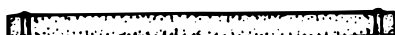
Supportez le tuyau d'admission d'air avec des colliers pour tuyau.



AVIS Ne coupez pas le tuyau d'admission d'air. Cela pourrait générer du bruit.

Installation du kit d'extension (EX11CT seulement)

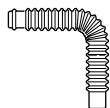
Kits et pièces d'extension



① TUYAU D'EXTENSION (RÉGLABLE)

② TUYAU D'EXTENSION (NON RÉGLABLE)

③ TUYAU D'ADMISSION D'AIR



④ COUDE

⑤ COUDE LONG

⑥ JOINT DE TUYAUX

⑦ ARRÊT DE TUYAU A

⑧ ARRÊT DE TUYAU B



⑨ COLLIER DE TUYAUX

⑩ DISPOSITIF MURAL

⑪ ÉCROU

⑫ VIS A

⑬ VIS B

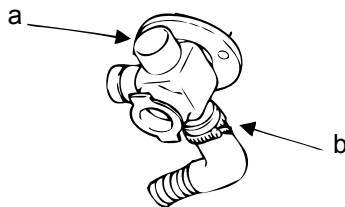
Item	Description	FOT-201	FOT-155	FOT-156	FOT-157	FOT-158	FOT-190
1	Conduite d'évacuation (réglable) 11,4-20,3 po (290-515 mm)		1				
1	Conduite d'évacuation (réglable) 21,0-39,6 po (533-1 005 mm)			1	1		
2	Conduite d'évacuation 40 po (1 016 mm)				1		
3	Tuyau d'admission d'air 29,5 po (750 mm) 1.5 po (38 mm) diamètre intérieur	1					
3	Tuyau d'admission d'air 29,5 po (750 mm) 2.0 po (50 mm) diamètre intérieur	1	1				
3	Tuyau d'admission d'air 49,2 po (1 250 mm)			1			
3	Tuyau d'admission d'air 90,6 po (2 300 mm)				1		
4	Coude					1	
5	Coude long	1					1
6	Joint de tuyaux - 1.5 po (38 mm) diamètre intérieur	1					
6	Joint de tuyaux - 2.0 po (50 mm) diamètre intérieur	1	1	1	1		
7	Arrêt de tuyau A	1	1	1	2	1	1
8	Arrêt de tuyau B		1	1	1		
9	Collier de tuyaux		2 sets	3 sets	4 sets		
10	Dispositif mural		2	3	4		
11	Écrou		2	3	4		
12	Vis A		2	3	4		
13	Vis B		4	6	8		

Branchement de l'appareil

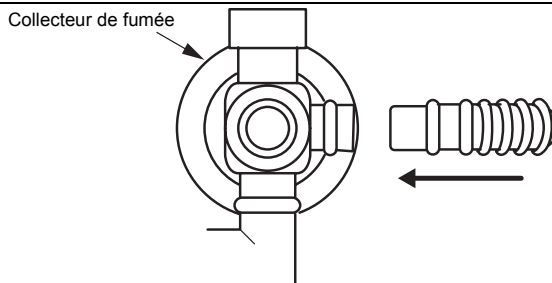
1. Fixez le tuyau d'arrivée d'air sur le collecteur de fumée sur les entrées « a » ou « b ».

La cravate en plastique doit être serrée sur la manche.

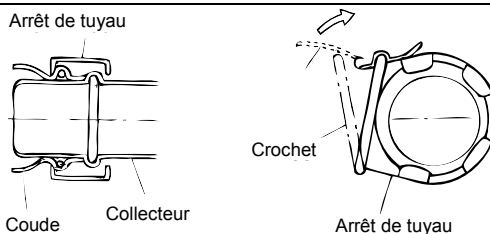
L'entrée non utilisée doit être fermée avec le bouchon en caoutchouc fourni avec le collecteur.



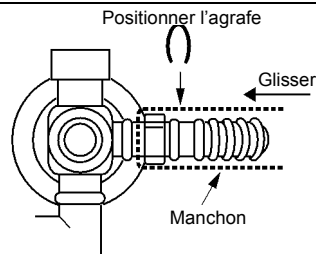
2. Branchez le coude de cheminée sur le collecteur tout en mettant l'appareil en place.



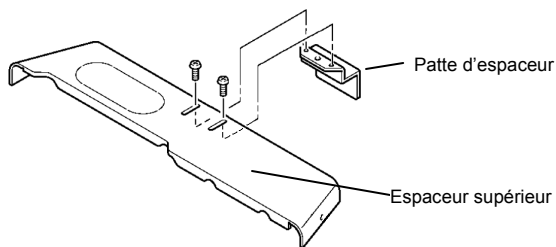
3. Adaptez la fermeture de tuyau sur le raccordement entre le coude de cheminée et le collecteur. Engagez le crochet et tournez-le jusqu'à ce qu'il s'enclenche contre le corps de l'étrier.



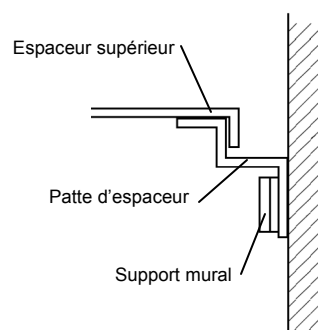
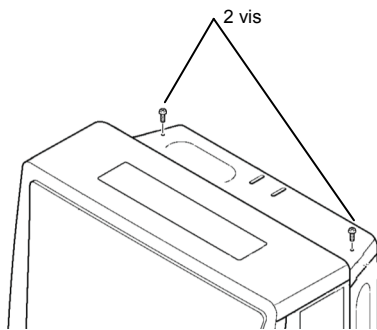
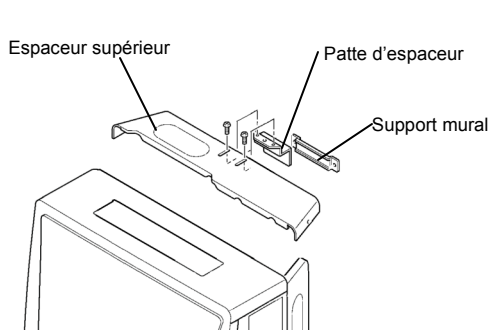
4. Faites glisser en remontant le manchon d'isolation et placez l'agrafe de fixation par-dessus le manchon comme illustré ci-contre.



5. Installez la patte à l'arrière de l'espaceur du haut en serrant deux vis.



6. Mettez en place le support mural avec deux vis. Installez l'espaceur supérieur en insérant sa patte dans le support mural et en le fixant sur le chauffage avec 2 vis.



Liste de contrôle pour la ventilation

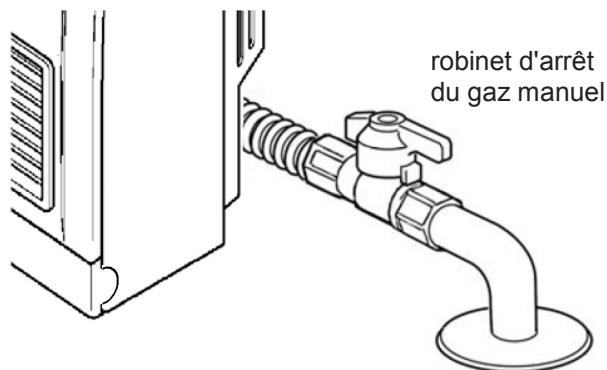
- Vérifiez que les dégagements sont corrects autour des sorties de ventilation et admissions d'air.
- Assurez-vous d'avoir utilisé les produits de ventilation corrects pour le modèle installé, et que vous avez bien suivi entièrement les instructions d'installation du fabricant et celles de ce manuel.
- Vérifiez que la ventilation prévue ne dépassera pas la longueur maximale en fonction du nombre de coudes utilisé.

Branchement du gaz

AVERTISSEMENT

Quand vous branchez la vanne de gaz ou d'autres composants sur la conduite de gaz, utilisez une clé de maintien pour assurer un bon serrage étanche.

- La conduite d'alimentation au gaz doit être étanche, du bon calibre, et installée de façon à fournir assez de gaz pour satisfaire la demande maximale du générateur d'air chaud sans perte de pression.
- Une vanne de coupure en amont sur la conduite et une vanne sur le connecteur de l'appareil sont à installer pour permettre les interventions.
- Le tuyau flexible et toute vanne sur connecteur de l'appareil utilisés doivent être de types approuvés par les agences nationales ayant autorité.
- Tout composé utilisé sur un joint fileté de tuyauterie de gaz doit être d'un type qui résiste à l'action du gaz de pétrole liquéfié (propane / LPG).
- Après la réalisation des connexions de tuyauterie de gaz, tous les joints dont ceux du générateur d'air chaud doivent avec leur étanchéité au gaz vérifiée, au moyen d'une solution pour détection des fuites, eau savonneuse ou une solution équivalent ininflammable, selon la disponibilité (Comme sertes solutions de test de fuite, incluant l'eau savonneuse, peuvent causer de la corrosion ou de la fissuration sous contrainte, les conduites sont à rincer à l'eau après le test, sauf s'il a été déterminé que la solution pour chercher des fuites n'est pas corrosive).
- Contrôlez la pression de l'alimentation en gaz immédiatement en amont à un endroit fourni par la régie du gaz. La pression du gaz fourni doit être dans les limites montrées dans la section Spécifications.
- Référez-vous au tableau de calibre de tube approuvé si vous avez un doute sur la taille de la conduite de gaz.
- Installez une vanne de coupure manuelle du gaz qui soit à un endroit restant facilement accessible. Ne la masquez pas derrière une cale arrière.



Réglages de pression de gaz

Suivez ces instructions pour l'altitude et la longueur de ventilation. (Altitude par défaut : 0 à 2 000 pieds. Longueur de ventilation par défaut : 0-7 pieds + 1 coude).

Pour des installations à forte altitude au Canada, la conversion doit être réalisée par un représentant agréé du constructeur, en conformité avec ses exigences plus celles des administrations provinciales ou territoriales ayant autorité, et en respectant les consignes d'installations de CAN/CGA-B149.1 ou CAN/CGA-B149.

ATTENTION

Ne touchez pas d'autres zones sur la carte de circuit imprimé à côté des micro-commutateurs "SW" pendant que l'appareil est sous tension. Il y a des pièces sur cette carte qui sont alimentées en 120 V CA.

ATTENTION

N'insérez pas vos mains ni des objets dans les ventilateurs de circulation quand ils tournent. Il pourrait en résulter une blessure ou un dysfonctionnement.

ATTENTION

Ne touchez pas les zones sur l'échappement ou autour. L'endroit est très chaud et pourrait causer des brûlures.

AVIS

Le régulateur a été pré-réglé en usine. Si la pression est incorrecte, contrôlez d'abord la pression d'alimentation en gaz en amont avant de procéder à de quelconques ajustements sur l'appareil. Également si la pression basse au contrôle ne peut pas être obtenue, retouchez la vis de réglage de la vanne proportionnelle pour fixer en gros la pression, puis revérifiez les pressions à petit feu et à plein feu.

Réglages de pression de gaz (suite)

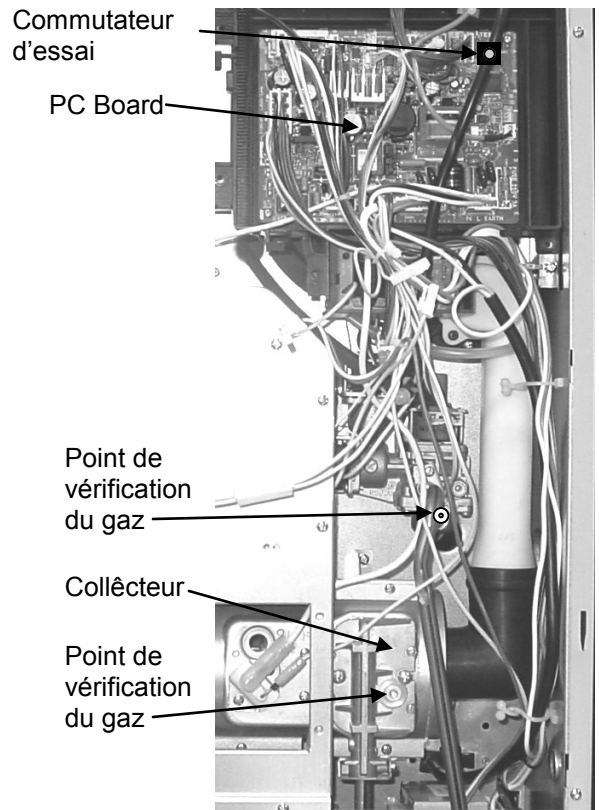
ATTENTION ⚡

Ne pas toucher aucuns autres secteurs sur le conseil de PC outre les commutateurs pendant que le pouvoir est fourni à l'appareil. Les parties du conseil de PC sont fournies avec 120 volts.

ATTENTION 🔥

Ne pas toucher les secteurs à ou près du panneau de verre ou près de l'échappement. Ces secteurs deviennent très chauds et pourrait causer des brûlures.

1. Eteindre le gaz et le pouvoir fournit.
2. Retirez les 5 vis qui le couvercle Persienne assembly et de front. Soulevez le panneau et puis supprimez-la.
3. Enlever deux vis de point de pression (1/8 robinet de NPT) avec 3/16 clé hexagonale coudée et attache le manomètre les deux ports de test. Les deux ports doivent être utilisés afin de mesurer la pression différentielle. S'assurer que le manomètre est convenablement calibré.
4. Allumez la fourniture de gaz et d'électricité à l'apppliance. (Appuyez sur le bouton "Retour le jeu" après la mise sous tension le bloc d'alimentation.) Avec l'unité en position d'arrêt, appuyez sur le commutateur de test en haut de la carte PC jusqu'à ce qu'il émet un signal sonore.
5. Choisir le code correct sur l'utilisation d'exposition ▲ et ▼ bouton. Reportez-vous au tableau ci-dessous.



	Gaz Naturel				Gaz Propane			
Code	A1 / A5 *	A2 / A6 *	A3 / A7 *	A4 / A8 *	L1 / L5	L2 / L6	L3 / L7	L4 / L8
Altitude	0-2000 ft 0-610 m	2001-5200 ft 611-1585 m	5201-7700 ft 1586-2347 m	7701-10200 ft 2348-3109 m	0-2000 ft 0-610 m	2001-5200 ft 611-1585 m	5201-7700 ft 1586-2347 m	7701-10200 ft 2348-3109 m
EX08CT								
Pression différentielle du collecteur - W.C. Bas	0.58 in (15 mm)	0.62 in (16 mm)	0.70 in (18 mm)	0.78 in (20 mm)	0.86 in (22 mm)	0.92 in (24 mm)	1.04 in (27 mm)	1.16 in (29 mm)
Pression différentielle du collecteur - W.C. Haut	3.4 in (86 mm)	3.6 in (92 mm)	4.1 in (103 mm)	3.2 in (82 mm)	5.8 in (147 mm)	6.2 in (158 mm)	7.0 in (177 mm)	5.5 in (140 mm)
EX11CT								
Pression différentielle du collecteur - W.C. Bas	0.60 in (15 mm)	0.64 in (16 mm)	0.72 in (19 mm)	0.80 in (20 mm)	1.06 in (27 mm)	1.16 in (29 mm)	1.28 in (33 mm)	1.41 in (36 mm)
Pression différentielle du collecteur - W.C. Haut	2.2 in (56 mm)	1.9 in (49 mm)	1.7 in (44 mm)	1.6 in (40 mm)	3.8 in (95 mm)	3.3 in (84 mm)	3.0 in (75 mm)	2.7 in (69 mm)

* Pour le EX11CT au gaz naturel : utilisez A1, A2, A3 ou A4 pour ventilation jusqu'à 7 mètres (2.1 m) avec un coude.
utilisez A5, A6, A7 ou A8 pour ventilation supérieure plus 7 mètres (2.1 m) avec un coude.

Réglages de pression de gaz (suite)

- Appuyer le commutateur d'essai deux fois pour entrer ce code dans la mémoire.
- Appuyer l'interrupteur pour fonctionner l'appareil.
- Appuyer le commutateur d'essai deux fois. Le MENE affichera « PL ».
- Comparer la pression lisant sur le manomètre aux Données Techniques, le niveau bas de pression de test divers, pour le gaz étant utilisé. Si nécessaire ajuster la pression basse de feu utilisant le ▲ et ▼ boutons.
- Appuyer le commutateur d'essai. Le MENE affichera « PH ».
- Comparer la pression lisant sur le manomètre aux Données Techniques, la pression de test diverse - haut, pour le gaz étant utilisé. Si nécessaire ajuster l'haute pression de feu utilisant le ▲ et ▼ boutons.
- Appuyer l'interrupteur encore. Le vide MENE de virages d'exposition et l'appareil retournent au normal du mode.
- Enlever le manomètre et installer les vis de tête d'Allen. Fonctionner l'unité et

- vérifier la séquence normale d'opération
- visuellement inspecter la flamme
- le contrôle pour gaze des fuites aux points de test

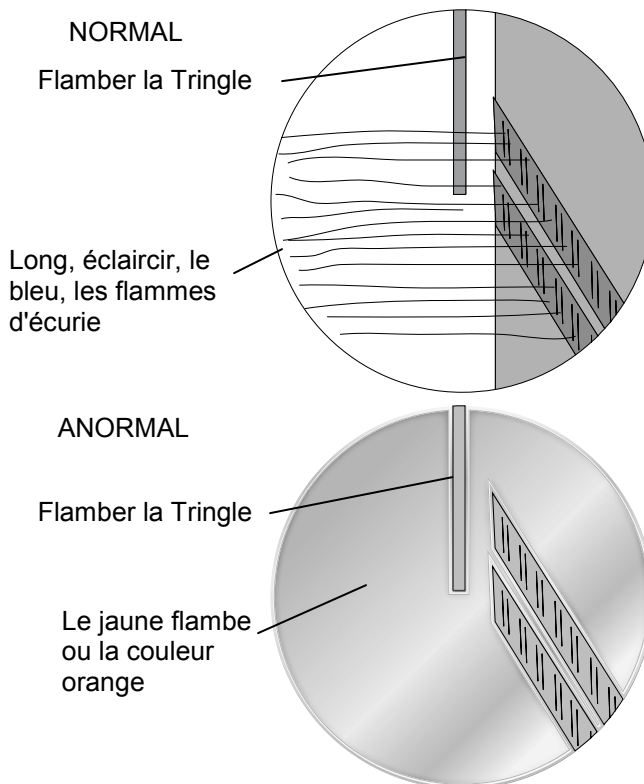
La Séquence normale d'Opération

Quand vous appuyez l'interrupteur, l'exposition MENE illuminera, le ventilateur de combustion commencera à courir, et l'étincelle allumera le brûleur principal. Cet appareil de chauffage a un système d'allumage automatique. Quand le brûleur principal a lit, la lampe de combustion luirait rouge, et l'étincelle arrêtera.

L'Inspection visuelle de Flamme

Vérifier que les flammes de brûleur fonctionnent normalement. La flamme peut être vue par la fenêtre circulaire par le louvers.

En fonctionnant normalement la flamme de brûleur doit apparaître comme long, éclaircir, le bleu, l'écurie, les raies. Le jaune flambe ou une couleur orange est anormale et l'entretien est exigé.



Assemblée finale

- Installer le panneau de devant et la couverture de fond.
- Si vous faites une conversion de type de gaz, placer la nouvelle plaque de conversion (étiquette) sur le capot avant.

Liste de contrôle pour gaz et électricité

- Une vanne manuelle de commande de gaz doit être placée sur la conduite d'arrivée du gaz vers le générateur d'air chaud.
- Contrôlez les conduites et raccords de gaz pour l'absence de fuites.
- Confirmez que la pression d'entrée du gaz est dans les limites.
- Confirmez que le générateur d'air chaud est spécifié pour le type de gaz fourni.
- Confirmez que l'alimentation électrique vient d'une source secteur 120 V CA/60 Hz avec circuit alimenté et bien relié à la terre.
- Confirmez qu'il n'y a **PAS** eu d'adaptateur de fiche ni de cordon de rallonge utilisés avec le générateur d'air chaud.

Liste des contrôles finaux

- Le générateur d'air chaud n'est pas exposé à des composés corrosifs dans l'air.
- Les dégagements à partir du générateur d'air chaud sont respectés.
- Les dégagements à partir de la terminaison de ventilation sont respectés.
- Assurez-vous d'avoir utilisé les produits de ventilation corrects pour le modèle installé, et que vous avez bien suivi entièrement les instructions d'installation du fabricant et les présentes instructions d'installation.
- Vérifiez que la ventilation prévue ne dépassera pas la longueur maximale en fonction du nombre de coudes utilisé.
- Une vanne manuelle de commande de gaz doit être placée sur la conduite d'arrivée du gaz vers le générateur d'air chaud.
- Contrôlez les conduites et raccordements de gaz pour l'absence de fuites.
- Confirmez que la pression d'entrée du gaz est dans les limites.
- Confirmez que le générateur d'air chaud est spécifié pour le type de gaz fourni.
- Confirmez que l'alimentation électrique vient d'une source secteur 120 V CA/60 Hz avec circuit alimenté et bien relié à la terre.
- Vérifiez que le système fonctionne bien en branchant votre manomètre sur le port de test de pression du gaz sur le générateur d'air chaud. Faites fonctionner tous les appareils carburant au gaz de votre maison ou du site à plein feu. La pression d'arrivée du gaz au générateur d'air chaud ne doit pas tomber en-dessous de la valeur spécifiée sur sa plaque signalétique.
- Installez le panneau frontal.
- Expliquez au client l'importance de ne pas bloquer la terminaison de ventilation.
- Expliquez au client le fonctionnement du générateur d'air chaud, les consignes de sécurité, l'entretien et la garantie.
- L'installation doit être en conformité avec les normes locales, ou en leur absence avec la norme américaine *ANSI Z223.1/NFPA 54 (Gaz combustible)*, ou la norme canadienne *CSA B149.1 (Installations au gaz naturel ou propane)*. En cas d'installation en maison préfabriquée, il faut se conformer à la norme américaine pour *Construction de maison préfabriqué et sécurité, Title 24 CFR, Part 3280* et/ou à la norme canadienne *CAN/SCA Z240 MH Series (Maison mobile)*.
- Laissez le manuel complet au consommateur**

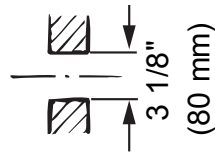
Percez le trou de conduite

Vérifiez qu'il n'y a pas de conduites d'eau, gaz ou électricité cachées là où il faut percer. Percez le trou de cheminée en utilisant un outil de coupe pour diamètre 80 mm (3-1/8 po). Le centre du trou doit être situé exactement au point spécifié. Reportez-vous au schéma.

Pour les murs avec parement bois, percez au centre du revêtement à partir de l'extérieur d'abord, puis au travers du placoplâtre. Un gabarit est fourni.

Pour une installation n'utilisant pas de kits d'extension, la configuration du collecteur de fumée, du tuyau d'admission d'air et du tuyau d'évacuation coulissant, doit ressembler à ce qui est montré quand l'installation est finie. La zone hachurée montre où le collecteur de fumée peut être situé.

Trou de cheminée



AVIS

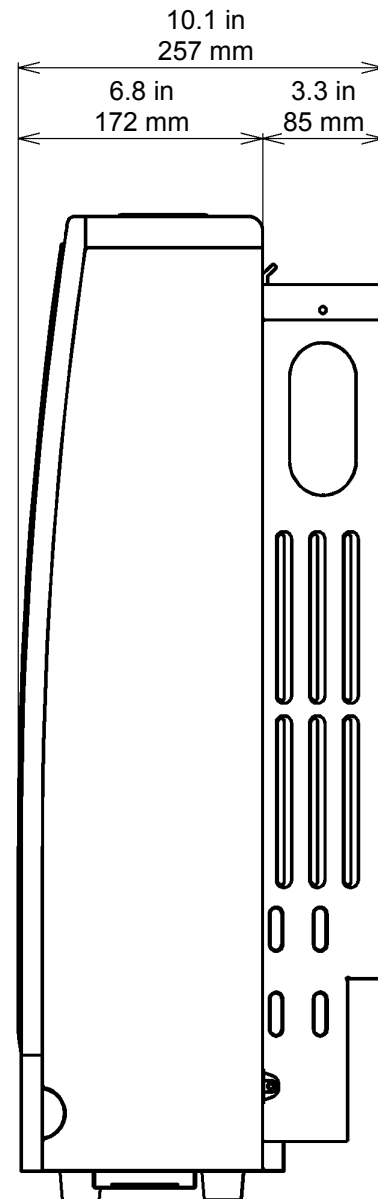
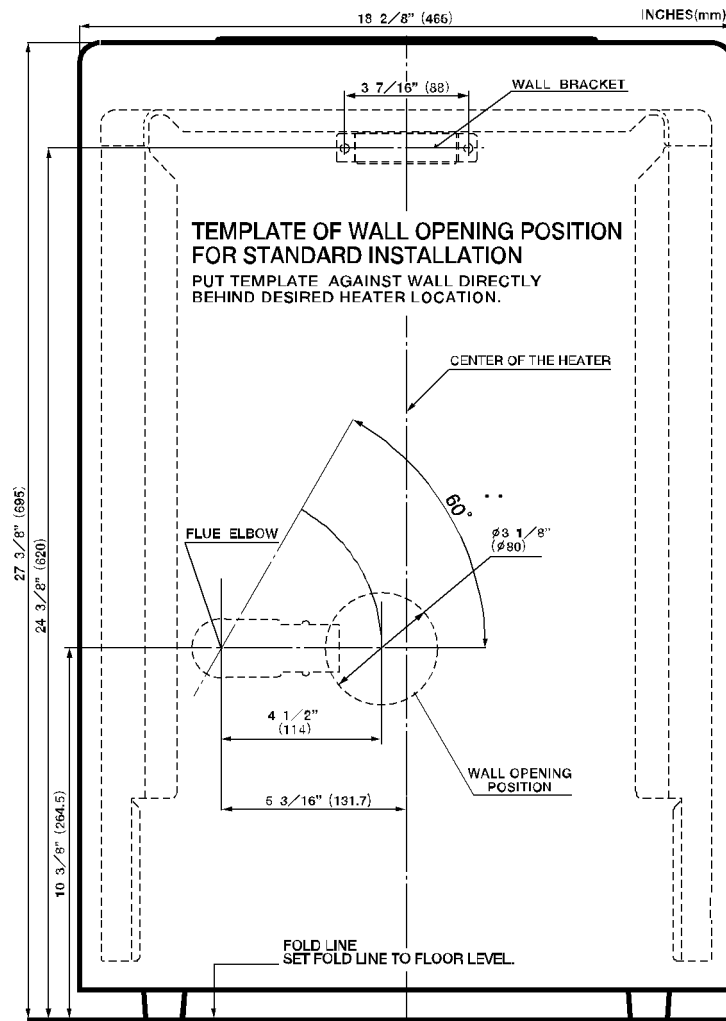
Utiliser un modèle (inclus) pour déterminer l'emplacement autorisé du trou carneau.

Dimensions

AVIS

Un modèle de taille complète est fourni sur l'emballage en carton.

NE JETEZ pas jusqu'à ce que l'installation est terminée.



Spécifications

Caractéristiques de sécurité

- **Surchauffe** : l'appareil se coupe automatiquement quand il atteint une température limite prédéterminée.
- **Défaut de flamme** : L'appareil se coupe automatiquement si la flamme de son brûleur est éteinte.
- **Coupure secteur** : L'appareil coupe son arrivée de gaz s'il n'a plus d'alimentation secteur.
- **Protection de surintensité** : Un fusible en verre sur le circuit imprimé protège d'une surintensité. Quand ce fusible est grillé tous les voyants indicateurs sont éteints.
- **Détection d'étincelles** : L'appareil se coupe automatiquement s'il y a des étincelles anormales à l'allumage.
- **Thermofusible** : Si le dispositif contre la surchauffe évite que la température ne monte trop haut, le thermofusible agit et coupe l'appareil.

Spécifications de l'appareil

	EX08CT	EX11CT
Application	Approuvé pour maison préfabriquée (USA seulement) ou maison mobile, ou installation résidentielle convertible pour une utilisation au gaz naturel et aux gaz de pétrole liquéfié (propane/GPL), quand une disposition est prise pour la simple conversion d'un gaz à l'autre. Approuvé pour un contexte commercial. Approuvé pour une installation à des altitudes allant jusqu'à 3109 m (10 200 pieds).	
Description générale	Chauffage au gaz à combustion et convection forcées, appareil à gaz avec cheminée	
Mise en marche	Électroniquement par appui sur un bouton	
Raccordement au gaz	NPT mâle 1/2 pouce	
Contrôle du gaz	Électronique	
Brûleurs	Brûleur Bunsen en acier inox	
Contrôle de température	Thermostat électronique	
Plage de Température	Faible "Low", 60(16)-80°F(27°C) 2°F(-17°C) par incréments, Haut "High"	
Système d'allumage	Allumage électronique à étincelles	
Système de cheminée	La fumée doit sortir dans l'atmosphère avec les éléments de cheminée listés sur la certification de l'appareil. La garantie sera annulée si des composants non listés sont utilisés.	
Bac d'humidificateur	Capacité - 1.5 pints (700 cc)	
Raccordement électrique	AC 120V, 60 Hz, 41 watts	AC 120V, 60 Hz, 44 watts
Poids	0.5 watt	
Niveau de bruit	46 lb (21 kg)	46 lb (21 kg)
Volume de ventilation	27-36 dB	31-38 dB
AFUE Rendement	Gaz naturel: 81% Propane: 82%	Gaz naturel: 80% Propane: 81%

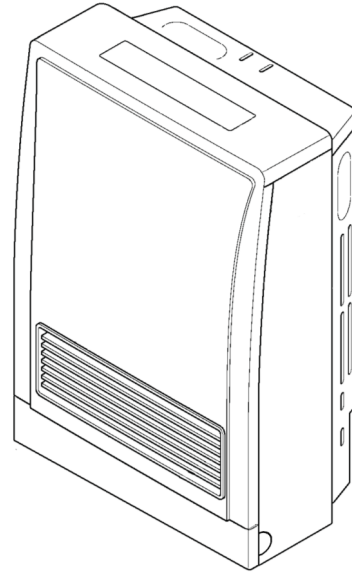
Rinnai poursuit constamment la mise à niveau et l'amélioration de ses produits. De ce fait ces spécifications sont sujettes à changement sans préavis.

Le rendement énergétique de cet appareil mesure l'efficacité thermique du produit en utilisation continue, il a été déterminé indépendamment de tout système installé.

Rinnai®

Instructions d'Utilisation Générateur d'air chaud à Ventilation Directe

EX08CT (RHFE-202FTA2)
EX11CT (RHFE-265FTA2)



Faits importants sur votre générateur d'air chaud à ventilation directe

Merci d'avoir acheté un générateur d'air chaud Rinnai à ventilation directe. Pour un bon fonctionnement et la sécurité, il est important de suivre ces instructions et de respecter les précautions de sécurité. Lisez attentivement toutes les instructions et la garantie avant de faire fonctionner cet appareil. Conservez ce manuel en lieu sûr.

AVIS : Rinnai partage parfois des informations de contact de clients avec des entreprises qu'il estime pouvoir fournir des produits ou services qui peuvent vous être utiles. En communiquant ces informations, vous donnez votre accord pour que nous communiquions vos informations de contact dans ce but. Si vous préférez que vos informations ne soient pas partagées avec ces entreprises, veuillez contacter notre service à la clientèle et demander à ce que cela ne se fasse pas pour vous. Nous continuerons cependant dans ce cas à vous contacter nous-mêmes avec des informations relatives au(x) produit(s) que vous avez enregistré(s) et/ou sur votre compte chez nous.



AVERTISSEMENT

Si les informations de ces instructions ne sont pas suivies exactement, il peut en résulter un départ d'incendie ou une explosion, causant des dégâts matériels et des blessures pouvant être mortelles.

- N'entreposez pas ou n'utilisez pas d'essence ou d'autres vapeurs ou liquides inflammables à proximité de cet appareil ou de n'importe quel autre.
- QUE FAIRE SI VOUS SENTEZ DU GAZ
 - Do not try to light any appliance.
 - N'essayez d'allumer aucun appareil.
 - Ne touchez à aucun interrupteur électrique. N'utilisez aucun téléphone dans votre bâtiment. Appelez immédiatement votre fournisseur de gaz depuis un téléphone du voisinage. Suivez les instructions qu'il vous donnera.
 - Si vous ne pouvez pas joindre votre fournisseur de gaz, appelez les pompiers.
- Installation and service must be performed by a licensed professional.

Fonctionnement sans risques

À LIRE AVANT DE METTRE EN MARCHÉ, POUR VOTRE SÉCURITÉ



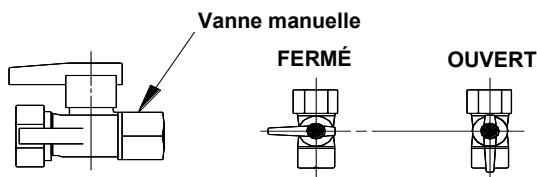
AVERTISSEMENT

Si vous ne suivez pas ces instructions à la lettre, il peut en résulter incendie ou explosion, entraînant dégâts et blessures sérieuses ou mortelles.

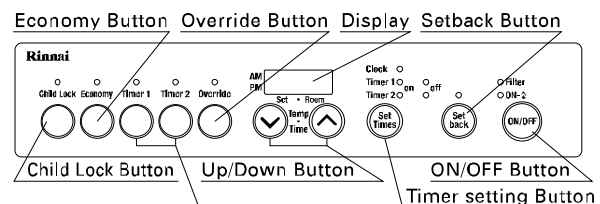
- A. Cet appareil ne comporte pas de veilleuse. Il est équipé d'un dispositif d'allumage qui allume automatiquement le brûleur. Ne tentez pas d'allumer le brûleur manuellement.
- B. **AVANT DE FAIRE FONCTIONNER**, reniflez tout autour de l'appareil pour déceler une odeur de gaz. Reniflez près du plancher car certains gaz sont plus lourds que l'air et peuvent s'accumuler au niveau du sol.
- QUE FAIRE SI VOUS SENTEZ UNE ODEUR DE GAZ
- Ne tentez pas d'allumer d'appareil.
 - Ne touchez à aucun interrupteur, ni à aucun téléphone de trouvant dans le bâtiment.
 - Appelez immédiatement votre fournisseur de gaz depuis un voisin et suivez ses instructions.
 - Si vous ne pouvez pas le joindre, appelez le service des incendies.
- C. Ne poussez ou tournez la manette d'admission du gaz qu'à la main, n'utilisez jamais d'outil. Si la manette reste coincée, n'essayez pas de la réparer, appelez un technicien de dépannage qualifié. Le fait de forcer ou de tenter une réparation vous-même peut amener un incendie ou une explosion.
- D. N'utilisez plus cet appareil s'il a été plongé dans l'eau même partiellement. Faites inspecter l'appareil par un technicien qualifié et remplacez toute pièce du système de contrôle et toute commande qui ont été plongées dans l'eau.

INSTRUCTIONS DE DÉMARRAGE

- Définir le thermostat à la valeur la plus faible.
- Désactiver tous les électrique pour l'application en utilisant le bouton ON/OFF sur le panneau de configuration. Localisez le robinet de gaz manuelle sur la face arrière du chauffage.
- Activer la vanne manuelle dans le sens horaire pour le plein OFF position.
- Tourner le robinet de gaz manuelle dans le sens inverse de la totalité de la position de marche.
- Allumez tous les électrique pour l'application en utilisant le bouton ON/OFF.
- Définir le thermostat pour le paramètre de votre choix.
- Brûleur est allumé lorsque feu indicateur «ON tour rouge».
- «ON indicateur et code de faute 11, flash lorsque brûleur ne parvient pas à mettre le feu».
- Si le matériel ne fonctionne pas, suivez les instructions "To Turn Off gaz pour matériel" et appelez votre fournisseur de service de technicien ou de gaz. Consultez le manuel pour plus d'informations.



- Attendez cinq (5) minutes pour effacer tout gaz. Puis l'odeur de gaz, dont près de la parole. Si vous odeur de gaz, STOP ! Suivez "B" dans les informations de sécurité ci-dessus. Si vous n'odeur de gaz, passez à l'étape suivante.

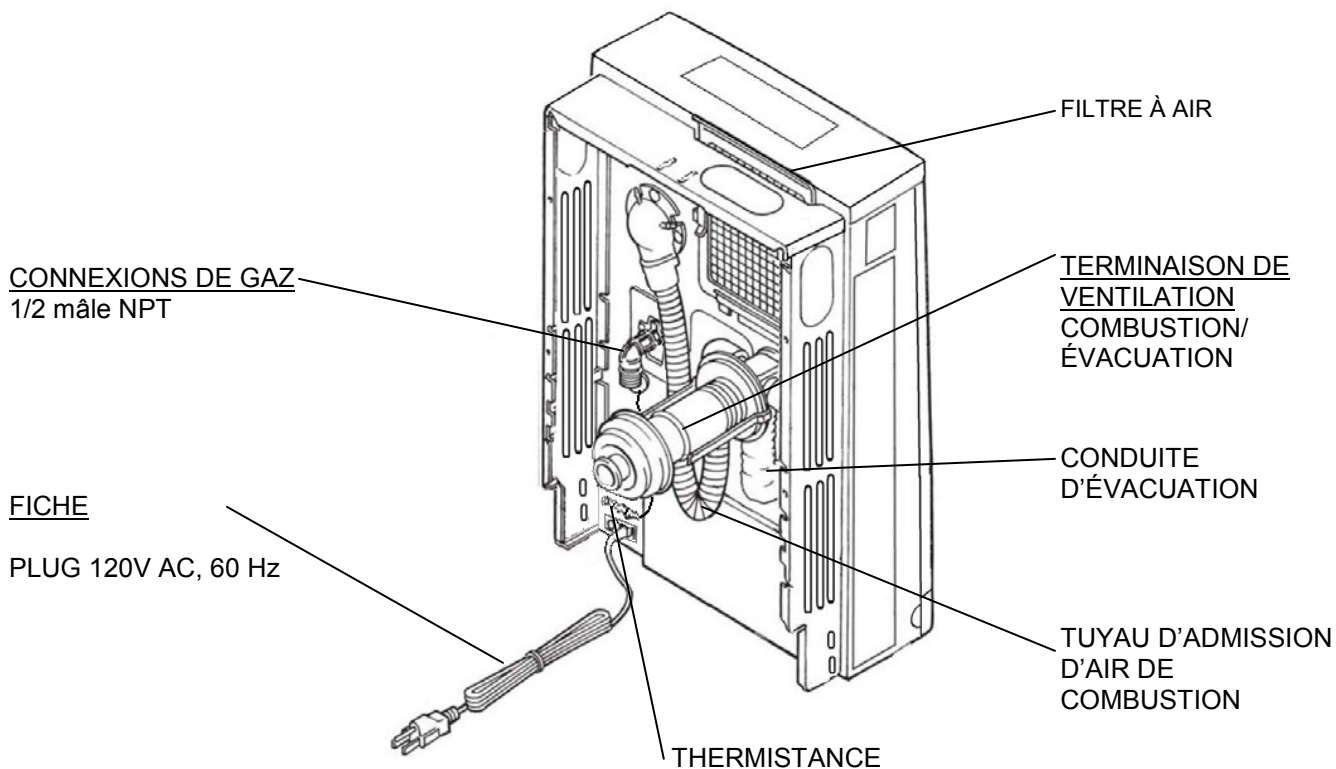
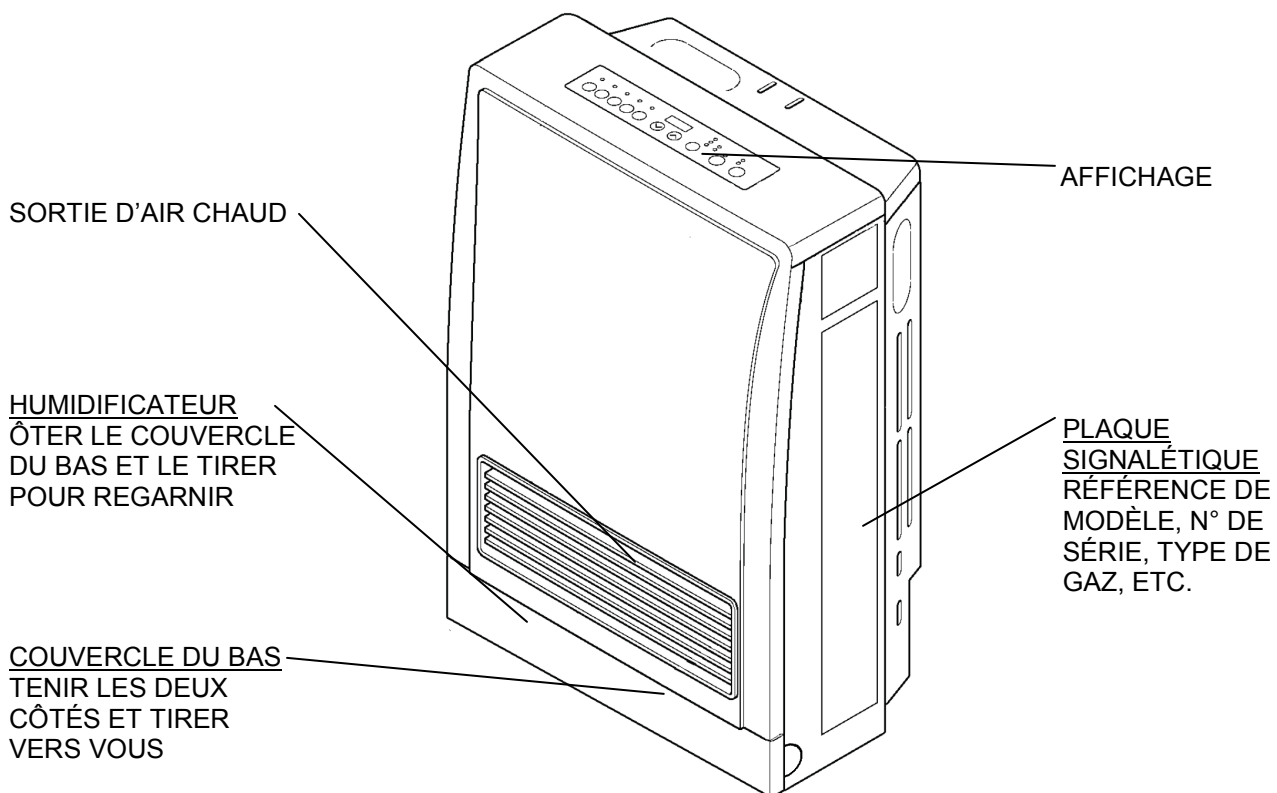


COUPURE DE L'ALIMENTATION EN GAZ DE L'APPAREIL

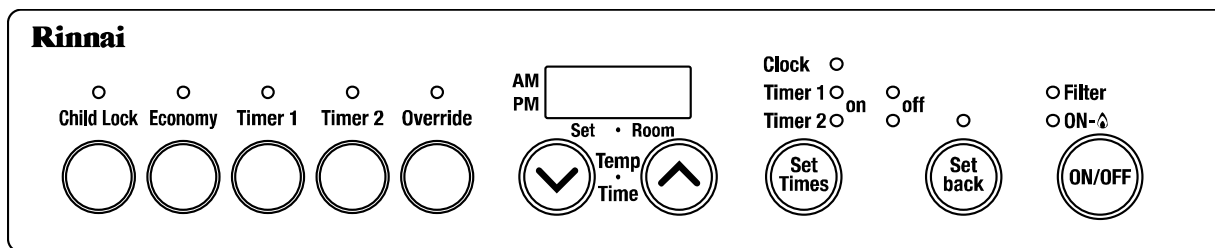
- Positionnez le thermostat sur le réglage de consigne le plus bas possible.
- Coupez l'alimentation électrique de l'appareil par le bouton marche/arrêt (ON/OFF).
- Repérez le robinet de coupure manuelle de gaz sur le côté du chauffage. Tournez-le dans le sens horaire jusqu'à la fermeture totale (position OFF).

REMARQUE : Le ventilateur va continuer de tourner jusqu'au refroidissement de l'appareil. Ne coupez pas l'appareil en débranchant la fiche de la prise secteur. Gardez le brûleur et le compartiment de contrôle propres. Reportez-vous aux instructions d'installation et d'utilisation.

Connaissance de votre appareil



Panneau de commandes



Contrôle de température

Sur la base des informations collectées par la thermistance sur la température de la pièce quand le chauffage démarre, la capacité de chauffage est automatiquement ajustée pour produire un effet de réchauffement confortable et atteindre rapidement la température de consigne.

De temps en temps la température ambiante peut dépasser brièvement la consigne du fait de la disposition de la pièce ou de la zone chauffée.

Affichage

Après que le chauffage est allumé et commence à fonctionner, l'affichage s'estompe. L'écran s'éteint lorsque le chauffage est désactivé. Tandis que les horloges de programmation l'écran s'éteint quelques secondes après qu'un bouton est enfoncé dernier.

Fahrenheit ou Celsius

1. Le chauffage doit être désactivé.
2. Appuyez sur le bouton du 1 et 2 en même temps pendant environ 5 secondes. L'écran affichera "°C" ou "°F".
3. Utilisez les touches fléchées pour sélectionner l'échelle de température.
4. Appuyez sur le bouton ON/OFF.

Marche / Arrêt

Actionnez le bouton ON/OFF pour activer/désactiver le chauffage. Une fois que le brûleur est allumé l'indicateur de marche (ON) va être allumé en rouge. Quand le chauffage commence à agir le ventilateur démarre automatiquement.

Pour couper le chauffage, actionnez de nouveau le bouton ON/OFF. Le voyant indicateur ON va s'éteindre. Le ventilateur va continuer de tourner pendant plusieurs minutes après l'extinction du brûleur de façon à refroidir l'appareil. Ne débranchez pas l'appareil pendant que son ventilateur tourne encore.

○ Filter

○ ON-▲



Verrouillage pour les enfants

Le verrouillage de protection des enfants (Child Lock) aidera à empêcher un démarrage accidentel de l'appareil et sa mise en marche par des enfants.

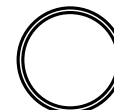
Pour activer ce verrouillage, appuyez sur le bouton Child Lock. Le voyant indicateur correspondant va s'allumer et un bip sonore va retentir.

Pour désactiver ce verrouillage, appuyez de nouveau sur le bouton Child Lock et maintenez-le enfoncé pendant environ 2 secondes. Le voyant indicateur va s'éteindre et un bip sonore va retentir.

- Ce verrouillage peut être activé que le chauffage soit en marche ou à l'arrêt.
- S'il est activé pendant que le chauffage est en marche, toutes ses commandes sauf sa mise à l'arrêt seront bloquées.
- S'il est activé pendant que le chauffage est à l'arrêt, toutes ses commandes seront bloquées.
- Si le chauffage a été arrêté pendant que le verrouillage est activé, il ne pourra pas être remis en marche avant que le verrouillage ne soit désactivé.
- La désactivation du verrouillage libère les boutons de commande.

○

Child Lock



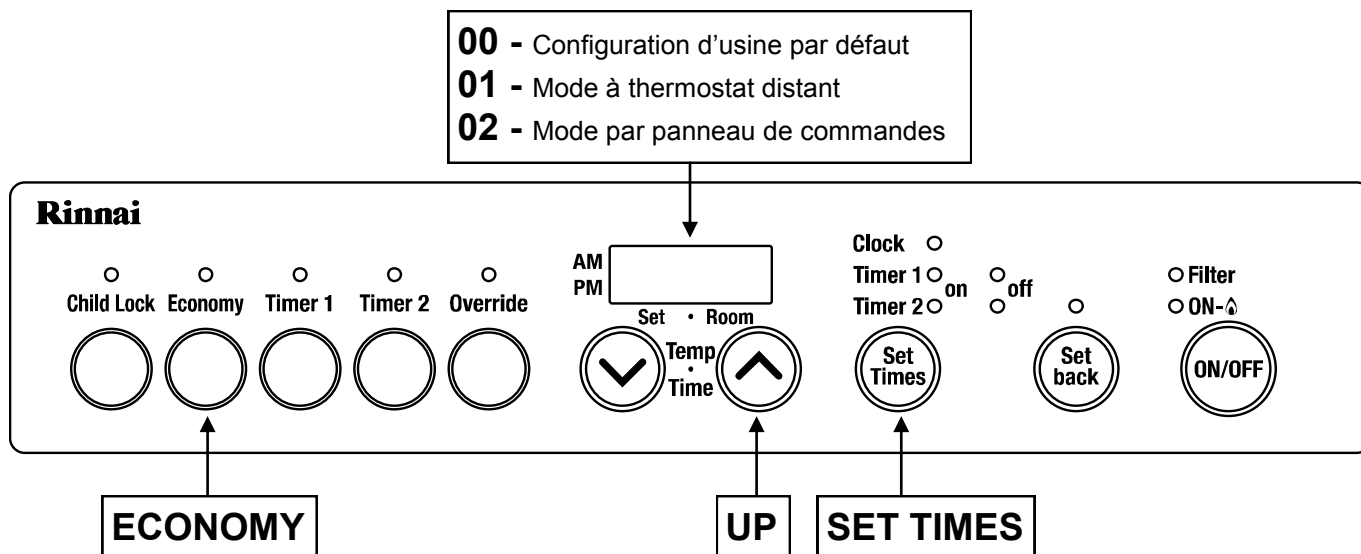
Mode à thermostat distant (Accessoire Optionnel)

Un thermostat distant peut être installé pour le générateur d'air chaud avec le kit d'installation spécifique (référence de pièce 204000045). Une fois l'installation faite, l'appareil doit être configuré en mode de fonctionnement avec thermostat distant, en suivant cette procédure :

1. Assurez-vous que l'appareil est branché électriquement mais en position d'arrêt (**OFF**)
2. Assurez-vous que la capacité de retour (**Setback**) doit aussi être désactivée).
3. Appuyez ensemble et maintenez les boutons **ECONOMY + UP + PROGRAM** pendant 2,5 secondes, puis relâchez-les, (l'afficheur va montrer **01**, o **02**).
4. Appuyez ensuite sur le bouton **UP**, l'afficheur va montrer **01**.
5. Appuyez sur le bouton M/A (**ON/OFF**), l'afficheur ne va plus rien montrer. L'appareil est maintenant en mode à thermostat distant

ATTENTION *NE le débranchez PAS! Si c'était le cas à moins de deux heures après avoir opéré ce changement de mode, il reviendrait ensuite au mode de fonctionnement par défaut par panneau de commandes.*

NOTE: Pour ramener l'appareil en mode de contrôle au panneau de commandes, répétez simplement les étapes précédentes, et à l'étape 3 sélectionnez **02** en appuyant sur le bouton **UP**.



ATTENTION

Ne ramenez pas le générateur d'air chaud en configuration d'usine "00" sans les composants de connexion de thermostat mural. Cela provoquerait un dysfonctionnement de l'appareil.

Les boutons et indicateurs qui suivent sur le panneau de commandes restent fonctionnels quelque soit le mode :

- Bouton M/A (**ON/OFF**)
- Indicateur de filtre (**FILTER**)
- Indicateur de Marche (**ON**)
- **AFFICHEUR** (L'écran sera vide sauf en cas d'apparition de code d'erreur. Tous les codes d'erreur seront visibles à l'affichage quelque soit le mode de fonctionnement. Ces codes d'erreur ne seront pas visibles sur le thermostat distant même dans le mode à thermostat distant).

ATTENTION

Le thermostat à distance **NE** contrôlera **PAS** la capacité des appareils de chauffage à s'allumer ou à s'éteindre. Cela doit toujours être fait en utilisant le bouton ON / OFF du chauffage.

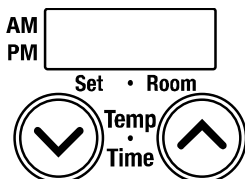
Réglage de l'horloge

1. Appuyez sur le bouton *Set Times*.



2. Le voyant près de la légende *Clock* va clignoter. Pressez les boutons de flèche montante (*Up*) ou descendante (*Down*) pour fixer l'heure. Le maintien appuyé d'une de ces touches fait défiler plus rapidement l'heure.

Clock
 Timer 1 on off
 Timer 2 on off

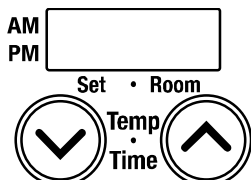


3. Appuyez sur le bouton *Set Times* jusqu'à ce qu'aucune des options relatives à l'heure ne clignote.



Fonctionnement du Fournaise Manuellement

1. Tourner l'appareil de chauffage en appuyant sur le bouton *ON / OFF*.
2. Appuyez sur les flèches vers le haut ou vers le bas pour régler la température. Le côté gauche de l'écran affiche le réglage de la température. Le côté droit de l'écran indique la température ambiante.



Réglage et Utilisation des Minuteries

Confirmer l'horloge est correcte.

REMARQUE: L'horloge devra être remis à zéro en cas de panne de courant. Toutefois, les minuteries conservent leurs paramètres.

L'appareil de chauffage va commencer avant l'heure de départ programmée pour chauffer la pièce par le temps de démarrage programmé.

The timers can be set while the heater is on or off. To operate the timer, the heater must be on.

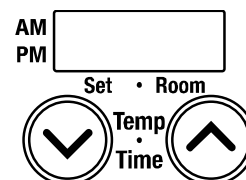
Réglage des minuteries:

1. Appuyez sur le bouton *Set Times* deux fois pour régler la minuterie 1.



2. La lumière à côté de "Timer 1 sur" doit être allumée. Appuyez sur les flèches vers le haut ou vers le bas pour régler l'heure de début. Maintenez l'une des touches fléchées va changer le temps plus rapidement.
3. Appuyez à nouveau sur le bouton *Set Times* de telle sorte que la minuterie 1 position d'arrêt est allumée. Appuyez sur les flèches vers le haut ou vers le bas pour régler l'heure de fin. Maintenez l'une des touches fléchées va changer le temps plus rapidement.

Clock
 Timer 1 on off
 Timer 2 on off



4. Appuyez à nouveau sur le bouton *Set Times* pour régler les temps pour la minuterie 2. Suivez les mêmes étapes ci-dessus pour régler les heures de début et de fin.
5. Appuyez sur le bouton *Set Times* jusqu'à ce qu'aucun des options de temps sont allumés.

Utilisation des minuteries:

Pour faire fonctionner l'appareil à l'aide d'une minuterie, appuyez sur *ON / OFF* et le bouton de la minuterie appropriée. Le chauffe-eau fonctionnera à partir du début à la fin de fois que vous avez entrés pour cette minuterie. Il fonctionnera au réglage de la température qui a été fixée pour le chauffe-eau. La minuterie peut être réglée pendant que le chauffage fonctionne.

Override Fonction

Cette fonction est utilisée uniquement lorsque l'appareil est en fonctionnement minuterie.

Il vous permet de *Override* le réglage de la minuterie de réinitialisation jusqu'à ce que le début de la période de temporisation suivante.

Par exemple, si l'appareil est allumé, en appuyant sur le bouton *Override* va éteindre le radiateur jusqu'à ce que la prochaine période. Si l'appareil est hors tension, en appuyant sur le bouton *Override* va mettre le chauffe-eau, et vous permettent de sélectionner un réglage de température, jusqu'à ce que la prochaine période.

L'appareil de chauffage reste allumé jusqu'à ce que la période de temporisation suivante ou jusqu'à ce que la fonction *Override* est désactivée.

Lorsque la fonction de priorité, en appuyant sur le bouton *Override* retournera l'appareil de chauffage à l'exploitation de la période de temporisation en cours.



Économie (Mode d'économie énergétique)

Le mode économie ne peut être activé que pendant que le générateur d'air chaud fonctionne (en chauffage). Une fois activé il restera mémorisé dans le système jusqu'à sa désactivation.

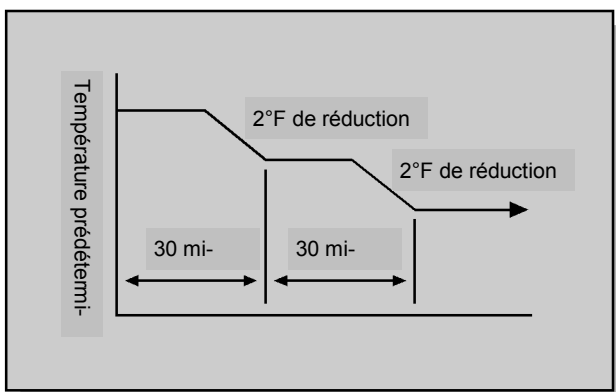
1. Pour activer le mode de fonctionnement économique appuyez sur le bouton *Economy*. Le voyant indicateur correspondant s'allume.
 - Ce mode d'économie restera maintenant mémorisé dans le système.
 - Si l'appareil est arrêté, manuellement ou par une fin de période de la minuterie, ce voyant indicateur s'éteint.
 - Si l'appareil redémarre son chauffage, cet indicateur va se rallumer.
2. Pour désactiver le mode de fonctionnement économique appuyez de nouveau sur le bouton *Economy*. Le voyant indicateur correspondant va s'éteindre.
 - Ce mode de fonctionnement économique ne peut être désactivé que pendant que le générateur d'air chaud est en marche avec l'indicateur *Economy* allumé.



Informations sur le mode d'économie d'énergie

Une fois que la pièce aura été initialement chauffée, la température de l'air est réduite à un niveau inférieur sans affecter le confort. Le mode d'économie d'énergie réduit la température de 2°F, 30 minutes après que la température de la pièce ait atteint la consigne. Et 30 minutes plus tard, il réduit de nouveau la température de 2°F, ce qui économise effectivement de l'énergie. La consigne de température pour la pièce descend ainsi au total de 4°F.

Ce mode d'économie d'énergie ne fonctionne pas si le générateur d'air chaud a une capacité sous-dimensionnée par rapport à la taille de la pièce.



Abaissement

Cette fonction permet de déterminer à l'avance une température minimale pour la pièce, à définir entre 38°F et 78°F (par incréments de 2°F). Cette température doit être définie ci-dessous le réglage de la température de la pièce. La valeur par défaut est de 60°F. Une fois que cette fonction a été activée, l'appareil commencera à chauffer dès que la température de la pièce tombe sous le seuil sélectionné, quels que soient les réglages par minuterie ou manuels.

Suivez ces étapes pour paramétrer et activer cette possibilité :

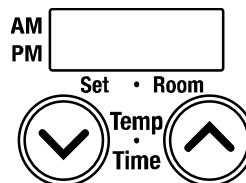
1. Assurez-vous que le chauffage est bien arrêté (OFF).



2. Appuyez sur le bouton "Set back". Le voyant au-dessus du bouton va s'éclairer.



3. Actionnez un bouton de flèche montante ou descendante pour fixer la température minimale.



Quand le voyant indicateur "Set back" est allumé, la protection contre le gel est active et empêchera toujours la température de la pièce de tomber sous le seuil prédéterminé.

Pour désactiver cette fonction, appuyez sur le bouton "Retour le jeu".

L'unité conservera son paramètre ON ou OFF après une panne de courant. (Paramètre par défaut de l'usine est activée).

AVIS

La fonction Set Back permet d'éviter que l'emplacement d'installation ne tombe en dessous d'une température spécifiée. Il n'est pas conçu comme un thermostat de rechange, mais plutôt comme une mesure préventive contre le gel.

Humidificateur et direction de flux d'air

ATTENTION Ne remplissez pas le bac pendant que l'appareil est en marche. Refermez la porte après le remplissage. Le bac d'humidificateur et la zone environnante sont chauds quand l'appareil fonctionne.

Ajout d'eau pour l'humidificateur

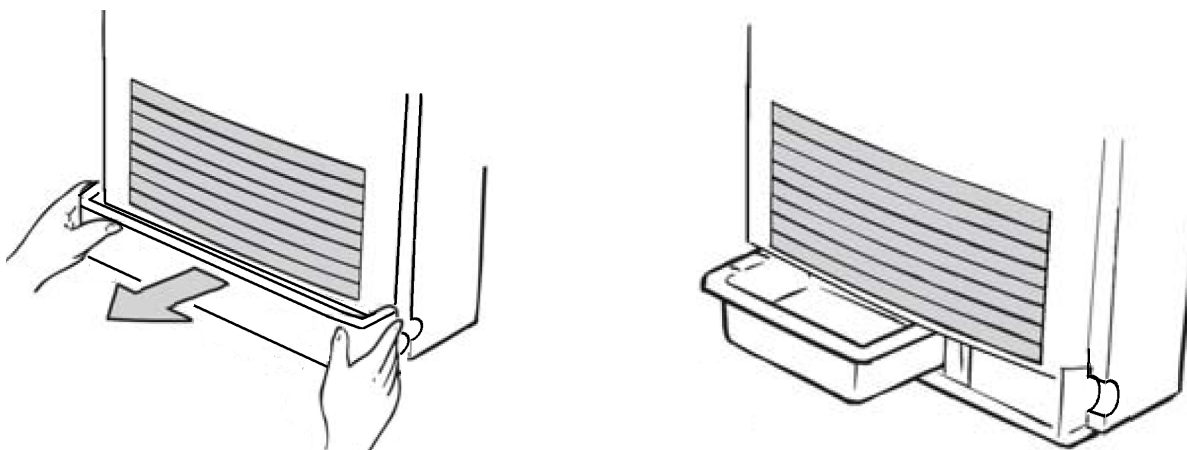
L'air chaud est humidifié quand il passe au-dessus de l'eau dans le bac.

Pour remplir ce bac, enlevez le panneau de garnissage du bas sous les registres en le tirant des deux côtés. Sortez le bac et remplissez-le d'eau. Ne pas dépasser la ligne de remplissage.

Repoussez le bac plein en place et remettez le panneau de remplissage du bas. Ne faites pas fonctionner l'appareil sans que le bac d'humidificateur soit en place.

Durant le fonctionnement une petite quantité de condensation est produite dans le système d'évacuation et retombe dans le bac d'humidificateur.

Lorsque vous supprimez le volet inférieur, appuyez sur les deux côtés et tirez-la vers vous.



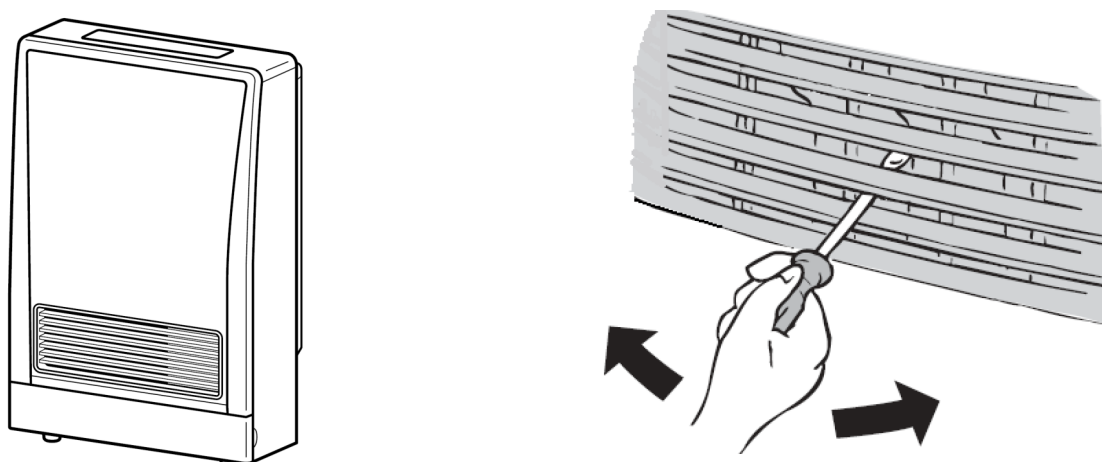
ATTENTION Ne réglez pas les volets de flux d'air pendant que de l'air chaud en sort.

Réglage de la direction du flux d'air

Le registre vertical peut être ajusté pour diriger le flux d'air vers la droite ou vers la gauche.

Utilisez un tournevis ou un outil similaire pour fléchir chaque latte dans la position voulue. Ne faites pas cette opération fréquemment (pas plus de 5 fois) sinon le registre peuvent casser.

Le registre horizontal (qui détermine la direction en hauteur du flux d'air) est fixe et ne peut pas se régler.



Entretien et maintenance

Entretien et maintenance

Toutes les interventions de maintenance et de service doivent être menées par un technicien de service qualifié, ayant de préférence suivi les cours de formation de Rinnai sur les produits à ventilation directe.

L'appareil doit être inspecté annuellement par un technicien de service qualifié. Un nettoyage plus fréquent peut être nécessaire du fait par exemple d'un excès de peluches venant des moquettes ou d'une literie. Il est impératif de maintenir propres les compartiments de commandes, de brûleur, et des voies de circulation d'air de l'appareil.

ATTENTION

Empêchez la poussière de s'accumuler sur le cordon de secteur, les couvertures latérales et les parties derrière l'appareil.

Tout écran ou protection qu'il faut retirer pour une intervention devra être remis en place avant de redémarrer l'appareil.

Voici la façon de nettoyer :

1. Coupez le chauffage et laissez-le refroidir une heure.
2. Ôtez le panneau frontal en enlevant cinq vis.
3. Utilisez de l'air comprimé pour chasser la poussière du brûleur principal, de l'échangeur thermique et des pales de ventilateur.
4. Essuyez le coffret avec un chiffon doux sec.

N'utilisez pas de chiffon mouillé ou de nettoyeurs en bombe sur le brûleur.

Le conduit de cheminée doit être inspecté annuellement pour repérer obstructions ou dommages.

Les moteurs comportent une lubrification permanente et n'ont pas besoin de lubrification périodique. Maintenez ventilateur et moteur exempts de poussière ou saleté, en les nettoyant tous les ans.

Vérifiez le bon fonctionnement après toute intervention.

Lorsque vous joignez le panneau avant, prenez soin pas de clip ou pincer les cordons électriques d'électrocution.

Soins pour l'extérieur

Trempez un chiffon doux dans de l'eau chaude. Essorez-le bien et passez-le sur l'appareil.

N'utilisez pas de substances volatiles telles que benzène ou diluants. Cela pourrait ternir la peinture et déformer la résine.

Accumulation de neige

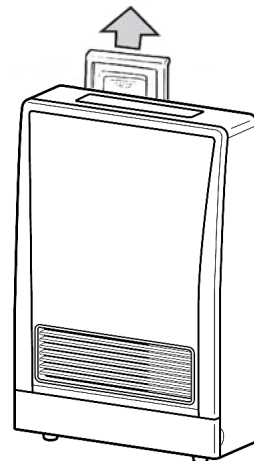
Maintenez la zone autour de la sortie de cheminée dégagée de toute neige ou glace. L'appareil ne fonctionnerait pas normalement si son admission ou évacuation étaient gênées par des obstructions.

Reportez-vous aux espacements autour de la terminaison de cheminée (page 18). L'écartement Réf. A doit être maintenu par rapport à toute accumulation de neige.

Filtres

Des filtres sales réduisent le flux d'air et la capacité de l'appareil à produire de la chaleur. Les filtres doivent être nettoyés fréquemment pendant la saison de chauffe. Si le filtrage est obstrué, le voyant indicateur de filtre va clignoter, et l'appareil émettre un bip sonore. Éventuellement l'appareil s'arrête et le voyant de niveau de température 14 s'éclaire, indiquant un code de défaut.

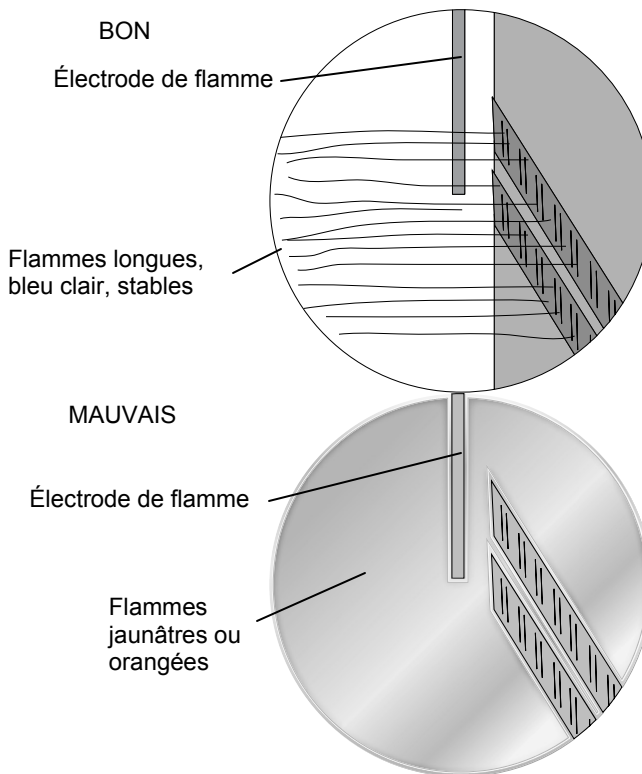
Pour nettoyer les filtres, l'appareil doit d'abord être arrêté et refroidi. Sortez le filtre et nettoyez-le avec un chiffon doux ou un aspirateur. Si le filtre est gras, lavez-le à l'eau savonneuse, rincez-le et laissez-le complètement sécher avant de le replacer.



Inspection visuelle de flamme

Vérifiez que le brûleur fonctionne normalement par sa flamme.

La flamme peut se voir par le hublot circulaire au travers des persiennes. En fonctionnement normal, la flamme de brûleur doit apparaître étirée, claire et bleuâtre, et rester droite et stable. Des flammes de couleur jaune ou orange ne sont pas normales et il faut intervenir.



Avant de demander une intervention

Avant de lancer un appel pour recevoir de l'assistance, vérifiez les points qui suivent :

■ À l'allumage :

Le chauffage ne fonctionne pas.	➔	L'appareil est-il bien branché électriquement? Y a-t-il un fusible grillé ou un disjoncteur déclenché au panneau de distribution en amont? Y a-t-il une panne de secteur? Le filtre à air est-il saturé? La sortie d'air chaud est-elle obstruée? La conduite de cheminée est-elle bouchée?
De l'air chaud ne circule pas dès que le brûleur s'allume.	➔	Le ventilateur est activé automatiquement après un court délai. Cela permet de réchauffer l'échangeur thermique, ce qui aide à éviter l'envoi d'air froid.
Fumée ou odeurs étranges sont émises après le premier essai d'allumage suivant l'installation.	➔	Causées par l'échauffement de graisse, huile ou poussière à l'échangeur, elles cessent vite.
Crépitements secs à l'allumage, ou quand l'appareil se désactive par le thermostat ou par coupure manuelle.	➔	C'est simplement un bruit de dilatation/rétraction venant de l'échangeur thermique.

■ Pendant la combustion :

C'est simplement un bruit de dilatation/rétraction venant de l'échangeur thermique.	➔	C'est le son produit par l'ouverture et la fermeture des électrovannes de gaz.
L'appareil ne chauffe pas la pièce.	➔	Le filtre à air est-il saturé? La température de consigne pour la pièce est-elle suffisante? La sortie d'air chaud est-elle gênée par quelque chose? Les portes et fenêtres de la pièce sont-elles bien fermées? L'appareil est-il correctement dimensionné pour le volume à chauffer?
Filtre à air saturé ou persiennes bloquées ou obstruées.	➔	Laissez refroidir le chauffage, nettoyez le filtre ou dégagez les persiennes, redémarrez.
L'appareil ne se rallume pas après une surchauffe.	➔	Même si l'appareil a eu le temps de refroidir, le chauffage ne se rallumera pas. Une réparation est nécessaire. Contactez une société de service qualifiée/agrèée.

■ Quand l'appareil est arrêtée :

Le ventilateur de convection continue de tourner après l'arrêt du chauffage.	➔	Cela sert à évacuer la chaleur résiduelle de l'échangeur thermique. Le ventilateur stoppe une fois l'appareil de chauffage refroidi.
--	---	--

■ Autres points :

De la vapeur se dégage de la terminaison de cheminée.	➔	Les appareils à haut rendement tendent à générer de la vapeur d'eau les jours frais. C'est un phénomène normal.
L'appareil se coupe sans raison apparente.	➔	Regardez si les filtres sont saturés. Cela peut causer une surchauffe de l'appareil.

Codes de diagnostic

En cas de dysfonctionnement, l'appareil peut se couper comme précaution de sécurité, elle affiche alors un code de défaut pour aider à diagnostiquer le problème. Ce code de défaut va clignoter à l'afficheur du panneau de commandes. Quand vous appelez pour une demande d'intervention, donnez ce code qui aidera à cerner le défaut.

Vous pouvez peut-être éliminer le code de défaut en passant le chauffage sur arrêt puis en le remettant en marche. Si le code de défaut est resté présent ou revient à la remise en route, contactez Rinnai ou votre agent de service le plus proche pour planifier une intervention.

AVERTISSEMENT Certains des contrôles ci-dessous ne doivent être effectués que par un professionnel agréé. Les simples consommateurs ne doivent jamais tenter une intervention qu'ils ne sont pas qualifiés pour effectuer.

CODE AFFICHÉ	DÉFAUT	REMÈDE
11 [1]	Panne d'allumage	Vérifier que l'arrivée de gaz est ouverte. Vérifier l'absence de blocage à la terminaison de ventilation. Se référer à l'explication de la fonction de redémarrage. Appeler pour une demande d'intervention si cela continue.
14	Surchauffe d'appareil	Nettoyer le filtre. Appeler pour une intervention si cela continue. [2]
16	Pièce trop chauffée	Abaisser le point de consigne pour la température de pièce en dessous de 104° F (40 °C).
31	Déconnexion du capteur de température de la pièce (circuit ouvert)	Demande d'intervention
32	Court-circuit au capteur de température de la pièce	
33	Déconnexion du capteur de température de surchauffe 1 (circuit ouvert)	
34	Court-circuit au capteur de température de surchauffe 1	
49	Panne de capteur	
53	Panne de générateur d'étincelles	
61	Panne de ventilateur de combustion	
62	Panne de ventilateur de transfert de chaleur	
70	Commutateur M/A défectueux ou "Set retour" commutateur défectueux	
71	Solénoïdes défectueux	
72	Électrode de flamme défectueuse	
73	Erreur de communication	
99	Blocage de cheminée	

[1] Seulement ce code est sombre.

[2] Si le cavalier fusible doit être remplacé, cela doit être effectué par une agence de service qualifiée. De plus la cause de la surchauffe a besoin d'être déterminée. Ce cavalier fusible est un dispositif de sécurité qui n'agit qu'une fois, en se déclenchant il permet d'arrêter l'appareil.

[3] Dégagez toutes les obstructions. La cheminée doit être gardée dégagée pour libérer les gaz d'échappement. Si l'appareil a cessé de fonctionner, contactez une agence de service qualifiée.

Fonction de redémarrage

Si il y a une panne de courant, tandis que l'apppliance est sur, puis l'application démarre automatiquement lorsque l'alimentation est restaurée.

Si l'appareil n'arrive pas à s'allumer, il essaiera de nouveau son allumage après 1 heure. Le code de défaut 11 "Panne d'allumage" apparaîtra durant ce délai. Si la nouvelle tentative réussit, ce code de défaut disparaîtra de l'affichage, sinon il demeurera et une nouvelle tentative d'allumage se répétera une heure plus tard. Le code de défaut n'est pas conservé dans l'historique des codes de défaut.

Si la flamme est éteinte durant la combustion forcée, alors l'appareil essaiera un allumage après 1 heure. Il n'apparaîtra pas de code de défaut. La combustion forcée commence environ 15-18 secondes avant d'allumage. Après ce délai la logique de contrôle de température pilote la combustion.

Si la flamme est éteinte (panne de combustion du brûleur) pendant que c'est la logique de contrôle de température qui pilote l'appareil, il essaiera immédiatement de se rallumer. Aucun code de défaut n'apparaîtra.

Dépannage

Problème Cause	Pas d'indication de marche	Pas d'allumage du brûleur	Combustion anormale	Arrêt de combustion en fonctionnement	Odeur de gaz	Allumage bruyant	Réchauffage de la pièce trop long	Remède
Non branché	●	●						Brancher l'appareil
Panne secteur	●	●		●				Mettre à l'arrêt et remettre en marche au retour du secteur
Air dans la conduite de gaz à l'installation (en cas de branchement initial)		●						Purger l'air (installateur)
Filtre à gaz encrassé		●	●				●	Demande d'intervention
Mauvais allumage	●	●						Demande d'intervention
Sortie de cheminée obstruée			●	●		●		Dégager l'obstruction
Collecteur de fumée pas connecté					●	●		Demande d'intervention
Persiennes obstruées				●			●	Dégager l'obstruction
Filtre à air encrassé				●			●	Nettoyer le filtre
Fuite de gaz					●			Demande d'intervention
Fonction de verrouillage activée		●						Déverrouiller
Coupure de gaz en amont (compteur, réservoir ou vanne)		●						Rétablir l'arrivée du gaz
ON Timer est définie.		●						Annuler "ON" bois ou push remplacer bouton

Vue en coupe

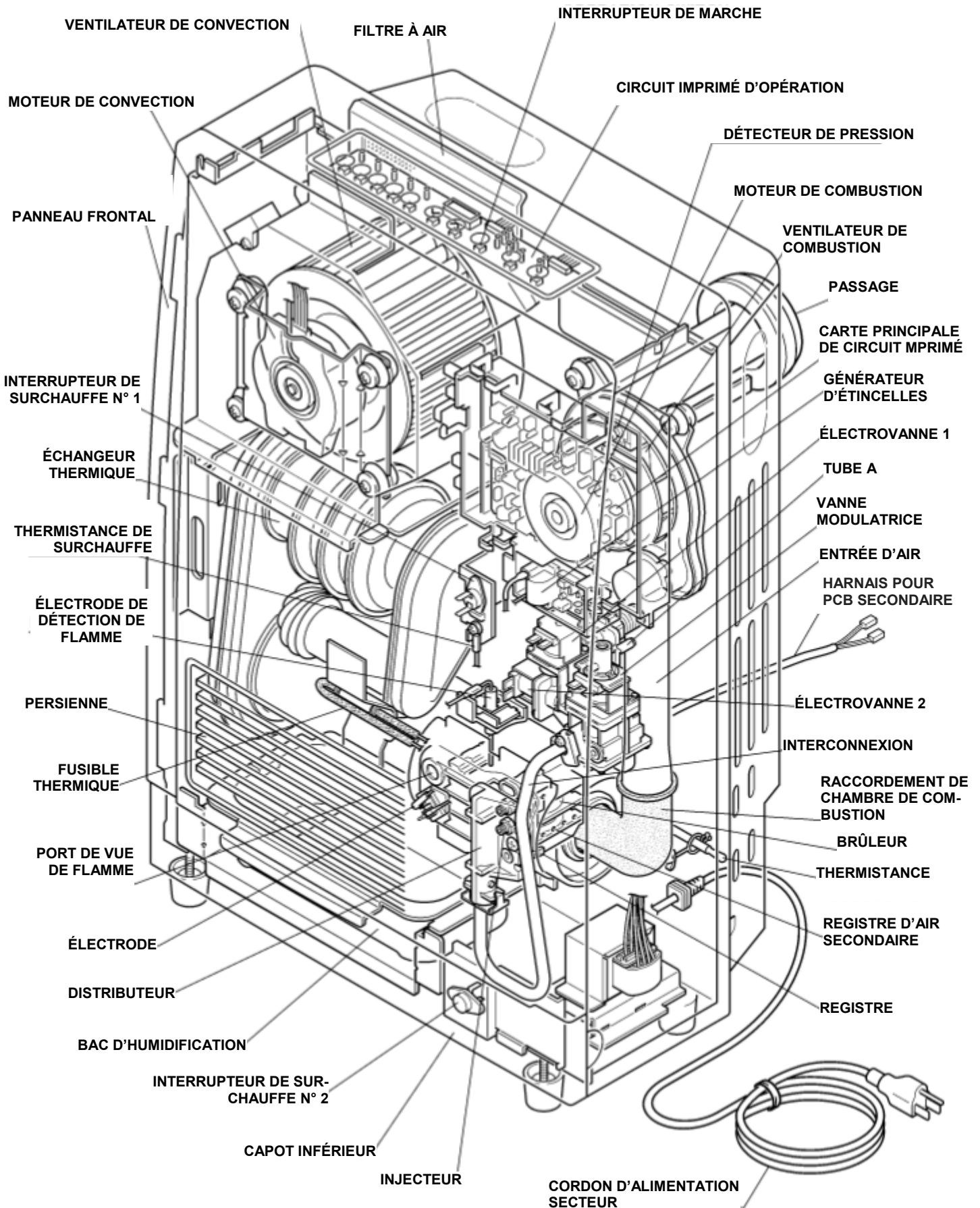


Schéma de câblage

ATTENTION

Étiquetez tous les fils avant les interventions de contrôle. Des erreurs de câblage peuvent causer un fonctionnement incorrect et dangereux. Vérifiez le bon fonctionnement après une intervention.

Si des fils d'origine livrés avec l'appareil ont besoin d'être remplacés, choisissez un fil de calibre 18 AWG ou équivalent.

CODE	COLOR
bk	noir
bl	bleu
gr	vert
gr/y	Vert/jaune
r	rouge
w	blanc
y	jaune
gy	gris
or	orange
br	brun

MARQUAGE	NOM DE PIÈCE	MARQUAGE	NOM DE PIÈCE
MS	COMMUTATEUR PRINCIPAL	OH.TH	THERMISTANCE DE SURCHAUFFE
R.TH	THERMISTANCE	OHS 1, 2	INTERRUPTEUR DE SURCHAUFFE 1, 2
TF	FUSIBLE THERMIQUE	FM	MOTEUR DE VENTILATEUR DE CONVECTION
F	FUSIBLE	SP	ÉCLATEUR
ER	ÉLECTRODE	SV1, 2	ÉLECTROVANNE 1,2
POV	VANNE MODULATRICE	BL	MOTEUR DE VENTILATEUR DE COMBUSTION
TR	TRANSFORMATEUR	PS	DÉTECTEUR DE PRESSION
FR	ÉLECTRODE DE DÉTECTION DE FLAMME	W. TH	THERMOSTAT MURAL

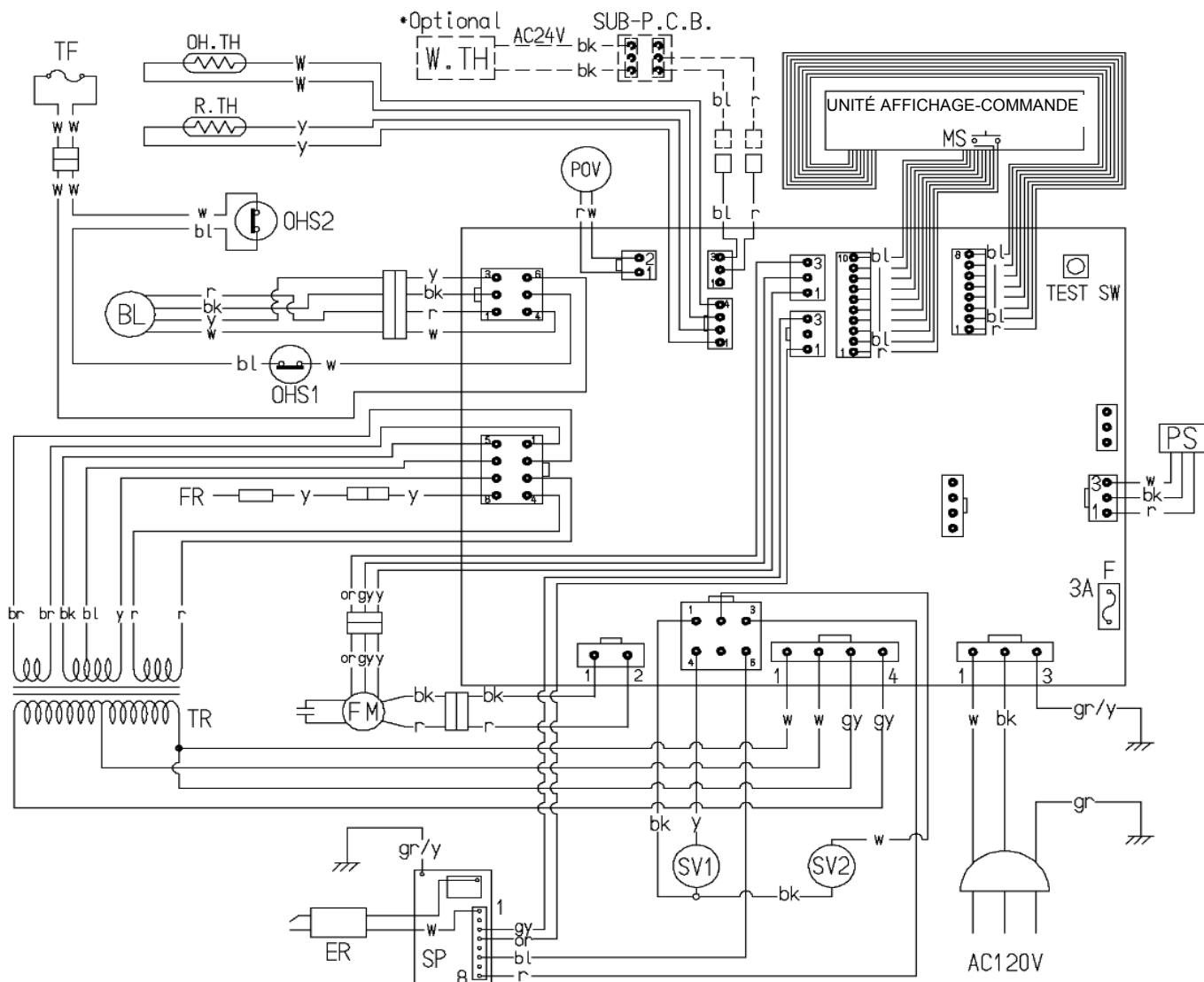
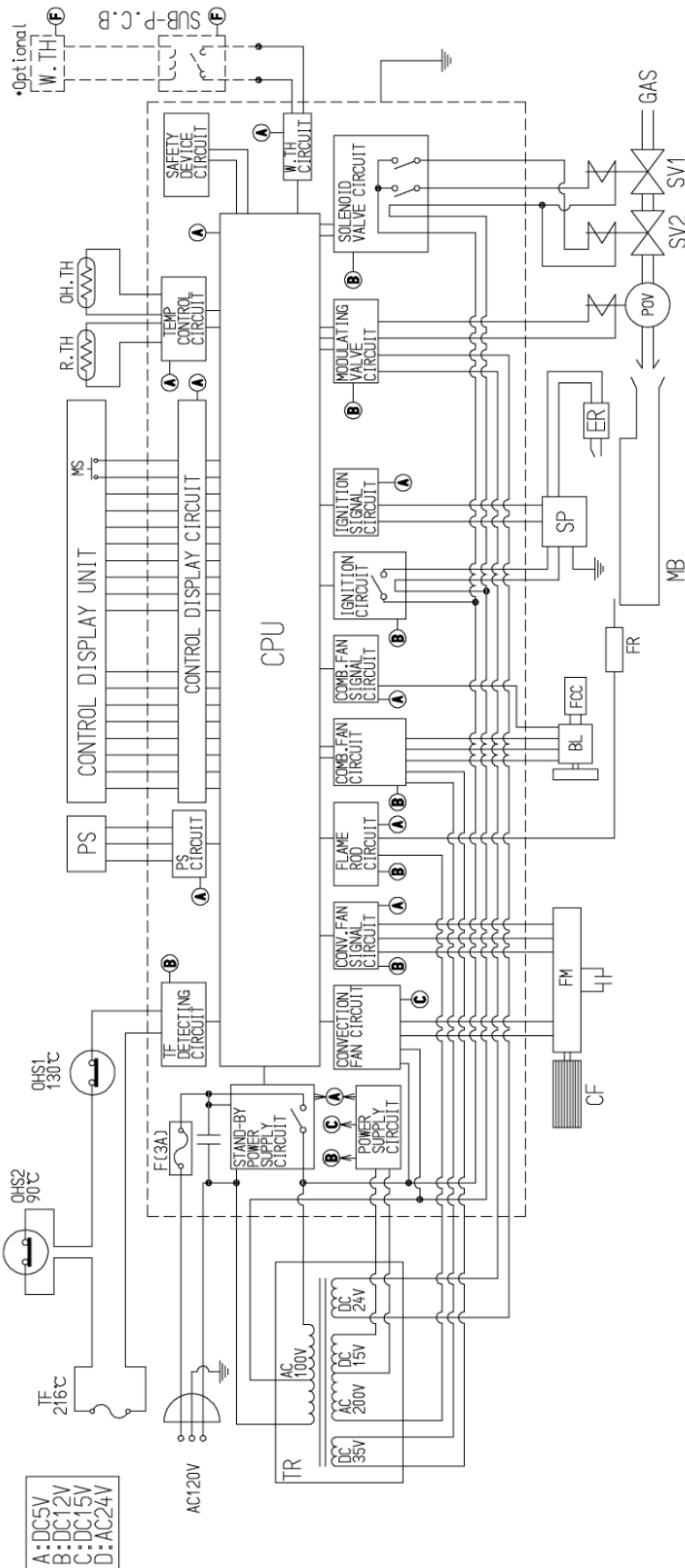


Diagramme en escalier



CODE	COLOR
bk	noir
bl	bleu
gr	vert
gr/y	Vert/jaune
r	rouge
w	blanc
y	jaune
gy	gris
or	orange
br	brun

MARQUAGE	NOM DE PIÈCE	MARQUAGE	NOM DE PIÈCE
MS	INRERUPTEUR D'ALIMENTATION	OH.TH	THERMISTANCE DE SURCHAUFFE
R.TH	THERMISTANCE	OH.S1, 2	INTERRUPTEUR DE SURCHAUFFE 1~2
TF	FUSIBLE THERMIQUE	FM	MOTEUR DE VENTILATEUR DE CONVECTION
F	FUSIBLE	SP	ALLUMEUR
ER	ÉLECTRODE	SV1, 2	ÉLECTROVANNE 1~2
POV	VANNE MODULATRICE	BL	MOTEUR DE VENTILATEUR DE COMBUSTION
TR	TRANSFORMATEUR	PS	DÉTECTEUR DE PRESSION
FR	ÉLECTRODE DE DÉTECTION DE FLAMME	W. TH	THERMOSTAT MURAL

Garantie

L'installateur est responsable de l'installation correcte de votre appareil.
Veuillez compléter les informations suivantes à garder dans vos archives :

Acheté chez : _____

Adresse : _____ Téléphone : _____

Date de l'achat : _____

Référence de modèle : _____

N° de série : _____

Installé par : _____ N° de licence de l'installateur : _____

Adresse : _____ Téléphone : _____

Date de l'installation : _____

Garantie limitée

Générateur d'air chaud mural au gaz à ventilation directe

Ce qui est couvert

Cette garantie couvre tous les défauts dus aux matériaux et à la main-d'œuvre, selon les termes énoncés ci-après. Cette garantie s'étend à l'acheteur d'origine et aux propriétaires successifs, mais seulement si le produit reste sur le site de son installation d'origine. Si le produit est déplacé et réinstallé ailleurs, cette garantie se termine et n'a été applicable que pour la première installation d'origine du produit.

Durée de la couverture sous garantie

Réf.	Période de couverture
Échangeur thermique	10 ans à partir de l'achat
Toutes les autres pièces	5 ans à partir de l'achat
Main-d'œuvre raisonnable	2 ans à partir de l'achat

Remède apporté par Rinnai

Rinnai va réparer ou remplacer le produit couvert, ou n'importe quelles de ses parties ou composants étant défectueux du fait des matériaux ou de la main-d'œuvre, comme c'est explicité dans le tableau précédent. Rinnai paiera des coûts de main-d'œuvre raisonnables associés à la réparation ou au remplacement de toute pièce ou composante. Toutes les pièces de réparation seront des pièces Rinnai d'origine. Toutes les réparations ou les remplacements seront effectués par un professionnel agréé ou une société de service, convenablement formés, habilités dans l'État ou la Province pour ce type de réparations.

Garantie limitée (suite)

Le remplacement du produit ne peut être autorisé que par Rinnai. Rinnai n'autorise aucune personne ou société à assumer en son nom une quelconque obligation ou responsabilité de remplacement du produit. Si Rinnai détermine qu'une réparation d'un produit est impossible, Rinnai peut le remplacer par un produit comparable à sa seule discrétion. Si un composant ou produit retourné à Rinnai s'avère exempt de défauts dus aux matériaux ou à la main-d'œuvre, ou endommagé par une installation, un usage ou un fonctionnement inappropriés, ou abîmé pendant le transport de renvoi, la demande d'exercice de garantie pour produit, pièces et main-d'œuvre sera rejetée.

Obtention d'un service sous garantie

Vous devez contacter un professionnel agréé ou une société de service pour la réparation d'un produit dans le cadre de cette garantie. Pour obtenir le nom d'un professionnel agréé, veuillez contacter votre lieu d'achat, visiter le site Web de Rinnai (www.rinnai.us), appeler Rinnai au 1-800-621-9419, ou bien écrire à Rinnai (103 International Drive, Peachtree City, Georgia 30269, USA).

Une preuve de l'achat est obligatoire pour obtenir un service sous garantie. Vous pouvez présenter une preuve de l'achat par une facture datée, ou bien en enregistrant le produit dans les 30 jours suivant son achat. Pour enregistrer votre appareil, veuillez aller sur le www.rinnairegistration.com. Si vous n'avez pas accès à Internet, veuillez appeler 1-866-RINNAI1 (745-6241). Un reçu de l'enregistrement par Rinnai constituera une preuve d'achat pour ce produit. Cependant un enregistrement n'est pas obligatoire pour faire jouer cette garantie limitée.

Ce qui n'est pas couvert

Cette garantie limitée ne couvre pas des pannes ou des difficultés de fonctionnement dues à ces causes :

- accident, abus ou mésusage
- altération
- mauvaise application
- force majeure
- installation incorrecte (comme, sans y être limité, dommages par condensats, ventilation incorrecte, type de gaz inapproprié, ou pression de gaz hors limites).
- conversion incorrecte (y compris des conversions pour ajustement d'inventaire)
- mauvaise maintenance (comme, sans y être limité un blocage de ventilation)
- calibre incorrect
- toute cause autre que des défauts dus aux matériaux ou à la main-d'œuvre

Cette garantie limitée ne s'applique plus pour tout produit dont le numéro de série ou la date de fabrication ont été effacés.

Limitations des garanties

Personne n'est autorisé à exprimer toute autre garantie au nom de la Rinnai America Corporation. Sauf ce qui est formulé expressément ici, il n'y a pas d'autres garanties, explicites ou implicites, incluant sans y être limité les garanties de valeur marchande ou d'adéquation pour une finalité spécifique, d'une portée plus large que la description dans ce chapitre. De plus, Rinnai ne sera pas tenu pour responsable pour tous dommages indirects, accessoires, spéciaux, consécutifs ou du même genre, qui pourraient survenir, incluant les pertes de profit, les dommages aux personnes et aux biens, la perte d'usage, la gêne occasionnée, ou la responsabilité découlant d'une installation, d'une intervention de service ou d'une utilisation incorrectes. Certaines provinces ne permettent pas l'exclusion ou la limitation des dommages consécutifs ou annexes, de ce fait la limitation qui précède peut ne pas s'appliquer à votre cas.

Toutes les garanties implicites de valeur marchande ou d'adéquation survenant selon la loi provinciale sont limitées en durée à la période de couverture donnée par cette garantie limitée, sauf si la période donnée par la législation provinciale est inférieure. Certaines provinces ne permettent pas de limitations sur la durée de garantie implicite, de ce fait la limitation indiquée plus haut peut ne pas s'appliquer dans votre cas.

Cette garantie vous donne des droits légaux spécifiques, mais vous pouvez aussi avoir d'autres droits qui varient d'une province à l'autre.

NOTES

A tradition of **TRUE RELIABILITY.**

For nearly 100 years, we at Rinnai have been fiercely committed to delivering nothing less than a superior experience at every touch point.

Beyond manufacturing the highest quality products, our people stand behind all that we make—before, during and long after installation. From the 24/7/365 technical support for professionals, to our national network of independent installers, to on-staff engineers who can assist with choosing the right products and sizes—we're inspiring confidence right along with the comfort our solutions provide.



Rinnai®

Learn more about Rinnai high-performance Tankless Water Heaters,
Hybrid Water Heating Systems, Boilers, Vent-Free Fan Convectors
and EnergySaver® Direct Vent Wall Furnaces at:

rinnai.us

Rinnai America Corporation • 103 International Drive, Peachtree City, GA 30269
1-800-621-9419 • rinnai.us

©2016 Rinnai America Corporation. Rinnai America Corporation continually updates materials, and as such, content is subject to change without notice. Local, state provincial, federal and national fuel gas codes must be adhered to prior to and upon installation.



107517
RHF265-1107
20000072
12/2016