

UBZ Series

Separated Combustion, High Static Blower Fan Commercial/Industrial Unit Heaters 82 - 83% Thermal Efficiency



Reznor® Model UBZ gas-fired unit heaters are available in 14 sizes ranging from 30,000 to 400,000 BTUH gas input. Model UBZ heaters are approved for installation in the United States and Canada by ETL.

Each size cabinet is easily suspended from 4 suspension points. The low voltage terminal strip on the outside of the cabinet makes connecting control wiring easy with no panels to remove. The addition of a "G" terminal to the strip, along with the new design of the circuit board, allows for fan only operation (without adding relays).

Reznor model UBZ unit heaters offer a sleek design sure to complement any space. The UBZ features a two-tone black and white powder coated, scratch-resistant paint scheme with a single red louver. Each unit has clean rounded corners and edges with no visible screws or fasteners, and the bottom is embossed with the Reznor logo. Model UBZ unit heaters provide the same superior performance customers have relied on for more than 100 years along with added features that make servicing the unit easier, installation safer and improve monitoring capabilities.

FEATURES and BENEFITS

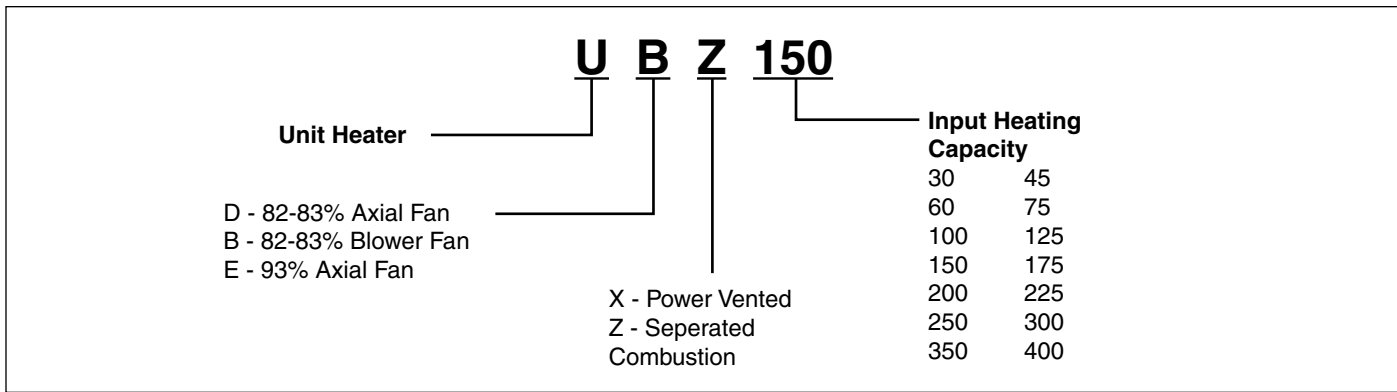
- Certified for commercial/industrial heating application
- 45-75°F Rise range - Sizes 30-350
- 50-80°F Rise range - Size 400
- Integrated circuit board with 7 segment display
- External status indicating LED
- Hinged door with ¼ turn latch
- Improved cabinet design with removeable front face and two tone white and black powder paint.
- Reznor logo embossed on bottom of unit
- Tcore2 titanium stabilized aluminized steel heat exchanger
- Patented single burner combustion system including a one-piece burner assembly
- Built-in disconnect switch - Sizes 30-125, 20A@115V rating; Sizes 150-400 30A@115V rating
- 115V, 1 phase, 60 Hz supply voltage
- 115 Volt open drip proof blower motor with internal overload protection - Sizes 30-125
- 115 Volt open drip proof blower motor with internal overloads and definite purpose motor contactor - Sizes 150-400
- Direct drive blower with multispeed taps - Sizes 30-125
- Adjustable belt drive blower - Sizes 150-400
- Transformer for 24-volt controls
- Sealed control compartment houses all electrical components
- Multi-try direct spark ignition with timed lockout
- Blower relay (included on the circuit board)
- Single-stage natural gas valve (field adjustable for operation to 9,000 ft. elevation)*
- Vibration/noise isolated fan and venter motors ~ designed for low noise operation
- 4-pt Suspension ~ standard on all sizes
- External terminal strip for 24-volt wiring
- External gas pipe connection
- Sealed junction box for supply wiring
- Full fan guard
- Built-in disconnect switch - Sizes 30-125, 20A@115V rating; Sizes 150-400 30A@115V rating

OPTIONAL FEATURES

- Single-stage propane gas valve (field adjustable for operation to 9,000 ft.)*
- Two-stage gas valve (sizes 60-400)
- 409 or 316 stainless steel heat exchangers
- Totally enclosed fan motor (sizes 30-400)
- Horizontal or vertical combustion air/vent kit including concentric adapter
- Thermostat / guard with locking cover
- Gas conversion kits (natural and propane)
- Primary/secondary controls for zoning up to six units
- Polytube Adapters/Hanger kits for 1" pipe
- Stepdown transformer (for 208/115, 230/115 or 460/115 supply voltage)
- Intergrated 30° & 60° downturn nozzles
- Intergrated Vertical Louver Kits
- Duct Flange

*Note: Pressure switch change required for installations above 6,000 ft.

MODEL IDENTIFICATION CODES



TECHNICAL DATA

| Size | | 30 | 45 | 60 | 75 | 100 | 125 | |
|---|-----------------|------------------------|--------|--------|--------|---------|---------|------|
| Input Heating Capacity | BTUH | 30,000 | 45,000 | 60,000 | 75,000 | 105,000 | 120,000 | |
| | kw/h | 8.8 | 13.2 | 17.6 | 22.0 | 30.8 | 35.2 | |
| Thermal Efficiency (%) | | 82 | 82 | 82 | 82 | 83 | 83 | |
| Output Heating Capacity ^D | BTUH | 24,600 | 36,900 | 49,200 | 61,500 | 87,150 | 99,600 | |
| | kw/h | 7.2 | 10.8 | 14.4 | 18.0 | 25.6 | 29.2 | |
| Gas Connection (inches) ^E | Natural | 1/2 | 1/2 | 1/2 | 1/2 | 1/2 | 1/2 | |
| | Propane | 1/2 | 1/2 | 1/2 | 1/2 | 1/2 | 1/2 | |
| Vent Connection Size ^F (in. diameter) | | 4 | 4 | 4 | 4 | 4 | 4 | |
| Combustion Air Inlet ^F (in. diameter) | | 4 | 4 | 4 | 4 | 4 | 4 | |
| Control Amps (24 volt) | | 1.0 | 1.0 | 1.0 | 1.0 | 1.0 | 1.0 | |
| Full Load Amps (115 volt) | | 3.7 | 3.7 | 7.1 | 7.3 | 13.2 | 13.2 | |
| Maximum Over Current Protection (115V) ^G | | 15 | 15 | 15 | 15 | 30 | 30 | |
| Normal Power Consumption (watts) | | 215 | 215 | 447 | 447 | 537 | 537 | |
| Discharge Air Temperature Rise (°F) | Min. | 45 | 45 | 45 | 45 | 45 | 45 | |
| | Max. | 75 | 75 | 75 | 75 | 75 | 75 | |
| Air Volume | Min. | CFM | 304 | 456 | 607 | 759 | 1076 | 1230 |
| | | M ³ /minute | 8.6 | 12.9 | 17.2 | 21.5 | 30.5 | 34.8 |
| | Max. | CFM | 506 | 759 | 1012 | 1265 | 1793 | 2049 |
| | | M ³ /minute | 14.3 | 21.5 | 28.7 | 35.8 | 50.8 | 58.0 |
| Discharge Air Opening Area | ft ² | 0.96 | 0.96 | 1.25 | 1.25 | 2.01 | 2.01 | |
| | M ² | 0.09 | 0.09 | 0.12 | 0.12 | 0.19 | 0.19 | |
| Output Velocity | Min. | FPM | 316 | 475 | 486 | 607 | 535 | 612 |
| | | M/minute | 96 | 143 | 143 | 179 | 160 | 183 |
| | Max. | FPM | 527 | 791 | 810 | 1012 | 892 | 1020 |
| | | M/minute | 159 | 239 | 239 | 299 | 267 | 305 |
| Standard Blower Motor HP | | 1/6 | 1/6 | 1/3 | 1/3 | 3/4 | 3/4 | |
| Blower Size (inches) | | 9 X 6 | 9 X 6 | 9 X 6 | 9 X 6 | 10 X 10 | 10 X 10 | |
| Approximate Net Weight | lbs | 85 | 90 | 103 | 109 | 169 | 172 | |
| | kg | 39 | 41 | 47 | 49 | 77 | 78 | |
| Approximate Ship Weight | lbs | 95 | 100 | 115 | 121 | 183 | 188 | |
| | kg | 43 | 45 | 52 | 55 | 83 | 85 | |

^C ETL rating for altitudes to 2000 ft.

^D Size shown is for gas connection to a single stage gas valve, not supply line size.

^E Smaller or larger vent pipe diameters may be allowed; refer to the Venting Installation Manual, Form I-V-PV. If vent diameter is different from vent connection, reducer/enlargers will be field-required.

^F MOP = 2.25 x largest motor FLA + remaining load. Answer is rounded down to the next size of commercially available circuit breaker or fuse.

^G All other information in this table is based on a heater equipped with a standard 115 volt open fan motor."

TECHNICAL DATA

| Size | | 150 | 175 | 200 | 225 | 250 | 300 | 350 | 400 | |
|---|-----------------|------------------------|---------|---------|---------|---------|---------|---------|---------|-------|
| Input Heating Capacity | BTUH | 150,000 | 175,000 | 200,000 | 225,000 | 250,000 | 300,000 | 350,000 | 400,000 | |
| | kw/h | 43.9 | 51.2 | 58.6 | 65.9 | 73.2 | 87.8 | 102.5 | 117.1 | |
| Thermal Efficiency (%) | | 83 | 83 | 83 | 83 | 83 | 83 | 83 | 82 | |
| Output Heating Capacity ^D | BTUH | 124,500 | 145,250 | 166,000 | 186,750 | 207,500 | 249,000 | 290,500 | 328,000 | |
| | kw/h | 36.4 | 42.5 | 48.6 | 54.7 | 60.8 | 72.9 | 85.1 | 96.0 | |
| Gas Connection (inches) ^E | Natural | 1/2 | 1/2 | 1/2 | 3/4 | 3/4 | 3/4 | 3/4 | 3/4 | |
| | Propane | 1/2 | 1/2 | 1/2 | 3/4 | 3/4 | 3/4 | 3/4 | 3/4 | |
| Vent Connection Size ^F (in. diameter) | | 5 | 5 | 5 | 5 | 5 | 6 | 6 | 6 | |
| Combustion Air Inlet ^F (in. diameter) | | 6 | 6 | 6 | 6 | 6 | 6 | 6 | 6 | |
| Control Amps (24 volt) | | 1.0 | 1.0 | 1.0 | 1.0 | 1.0 | 1.0 | 1.0 | 1.0 | |
| Full Load Amps (115 volt) | | 5.9 | 6.3 | 10.5 | 12.7 | 12.7 | 17.7 | 27.3 | 27.3 | |
| Maximum Over Current Protection (115V) ^G | | 15 | 15 | 25 | 30 | 30 | 40 | 60 | 60 | |
| Normal Power Consumption (watts) | | 754 | 780 | 1209 | 675 | 675 | 1260 | 1635 | 1635 | |
| Discharge Air Temperature Rise (°F) | Min. | 45 | 45 | 45 | 45 | 45 | 45 | 45 | 50 | |
| | Max. | 75 | 75 | 75 | 75 | 75 | 75 | 75 | 80 | |
| Air Volume | Min. | CFM | 1537 | 1793 | 2049 | 2306 | 2562 | 3074 | 3586 | 4100 |
| | | M ³ /minute | 43.5 | 50.8 | 58.0 | 65.3 | 72.5 | 87.0 | 101.5 | 116.1 |
| | Max. | CFM | 2562 | 2989 | 3416 | 3843 | 4270 | 5123 | 5977 | 6185 |
| | | M ³ /minute | 72.5 | 84.6 | 96.7 | 108.8 | 120.9 | 145.1 | 169.2 | 175.1 |
| Discharge Air Opening Area | ft ² | 2.56 | 2.56 | 2.56 | 3.51 | 3.51 | 4.79 | 4.79 | 4.79 | |
| | M ² | 0.24 | 0.24 | 0.24 | 0.33 | 0.33 | 0.45 | 0.45 | 0.45 | |
| Output Velocity | Min. | FPM | 600 | 700 | 800 | 657 | 730 | 642 | 749 | 856 |
| | | M/minute | 183 | 213 | 244 | 200 | 223 | 196 | 228 | 261 |
| | Max. | FPM | 1001 | 1168 | 1334 | 1095 | 1217 | 1070 | 1248 | 1291 |
| | | M/minute | 305 | 356 | 407 | 334 | 371 | 326 | 380 | 393 |
| Standard Blower Motor HP | | 1/4 | 1/2 | 1/2 | 3/4 | 3/4 | 1-1/2 | 2 | 2 | |
| Blower Size (inches) | | 12 x 12 | 12 x 12 | 12 x 12 | 15 x 11 | 15 x 11 | 15 x 15 | 15 x 15 | 15 x 15 | |
| Approximate Net Weight | lbs | 301 | 321 | 321 | 386 | 401 | 459 | 495 | 507 | |
| | kg | 137 | 146 | 146 | 175 | 182 | 208 | 225 | 230 | |
| Approximate Ship Weight | lbs | 323 | 343 | 343 | 410 | 425 | 485 | 521 | 537 | |
| | kg | 147 | 156 | 156 | 186 | 193 | 220 | 236 | 244 | |

^C ETL rating for altitudes to 2000 ft.

^D Size shown is for gas connection to a single stage gas valve, not supply line size.

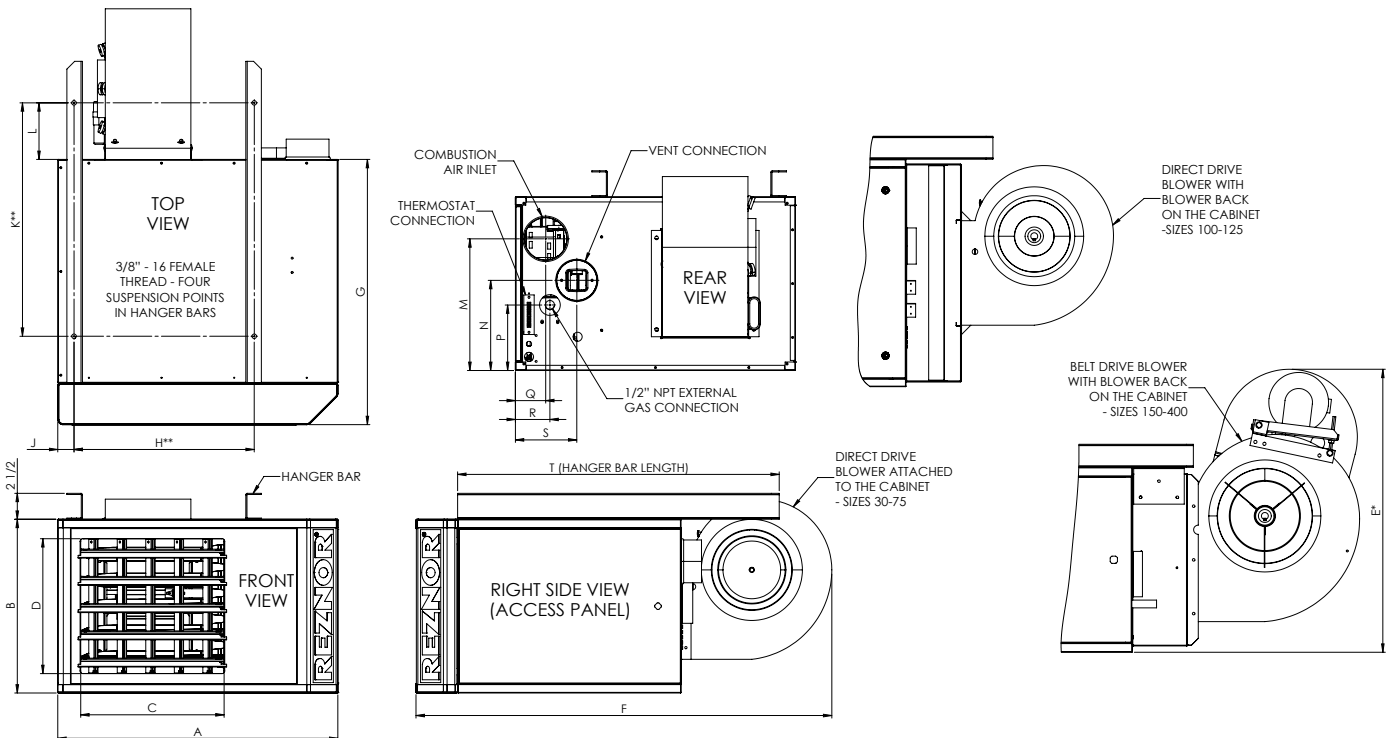
^E Smaller or larger vent pipe diameters may be allowed; refer to the Venting Installation Manual, Form I-V-PV. If vent diameter is different from vent connection, reducer/enlargers will be field-required.

^F MOP = 2.25 x largest motor FLA + remaining load. Answer is rounded down to the next size of commercially available circuit breaker or fuse.

^G All other information in this table is based on a heater equipped with a standard 115 volt open fan motor."

DIMENSIONS

| Size (in) | A | B | C | D | E | F | G | H | J | K | L | M | N | P | Q | R | S | T |
|---------------|---------|--------|-------------|--------|-------------|------------|-------------|-------------|---------|---------|-------------|---------|---------|---------|---------|---------|-------------|------|
| 30, 45 | 27 | 13 3/4 | 13 13/16 | 10 | 17 3/16 | 40 3/32 | 25 17/32 | 17 3/8 | 1 9/16 | 22 1/2 | 6 15/32 | 10 | 6 | 3 1/2 | 2 21/32 | 5 31/32 | 3 5/16 | 31 |
| 60 | | 16 3/4 | | 13 | 11/16 | | | | | | 5 15/32 | 12 | 8 11/16 | 6 5/16 | | | | |
| 75 | | 24 3/4 | | 21 | 24 1/16 | | | | | | 48 1/8 | 8 15/32 | 19 5/16 | 15 5/16 | | 9 9/16 | | |
| 100 | | | | | | | | | | | | 7 15/32 | | | | | | |
| 125 | | | | | | | | | | | | | | | | | | |
| 150, 175 | 38 3/16 | 20 1/8 | 23 | 16 | 30 31/32 | 64 3/4 | 40 | 25 11/16 | 1 13/32 | 24 1/2 | 3 29/32 | 13 1/2 | 8 1/2 | 5 7/16 | 4 3/16 | 6 1/2 | 8 3/16 | 42 |
| 200 | | 26 1/8 | | 22 | 37 1/32 | | | 5 29/32 | | 18 1/16 | 13 1/16 | 9 | | | | | | |
| 225, 250 | | | | | | | | | | | | | | | | | | |
| 300, 350, 400 | | 41 | | 34 1/8 | 30 | | | 41 7/32 | | 68 1/8 | 27 11/16 | 23 1/2 | 1 13/32 | 22 9/16 | | 17 1/16 | 11 13/16 | |
| Size (mm) | A | B | C | D | E | F | G | H | J | K | L | M | N | P | Q | R | S | T |
| 30,45 | 686 | 349 | 351 | 254 | 437 | 1018 | 649 | 441 | 40 | 572 | 164 | 254 | 152 | 89 | 74 | 152 | 84 | 787 |
| 60 | | 425 | | 330 | 475 | | | | | | 1018 | 139 | 322 | 221 | | 160 | | |
| 75 | | 629 | | 533 | 611 | | | | | | 1222 | 215 | 491 | 389 | | 243 | | |
| 100 | | | | | | | | | | | | 190 | | | | | | |
| 125 | | | | | | | | | | | | | | | | | | |
| 150, 175 | 970 | 511 | 584 | 406 | 786 | 1645 | 1016 | 653 | 36 | 622 | 99 | 343 | 216 | 138 | 106 | 165 | 208 | 1067 |
| 200 | | 664 | | 559 | 941 | | | | | | 150 | 459 | 332 | 229 | | | | |
| 225,250 | | | | | | | | | | | | | | | | | | |
| 300, 350, 400 | | 1041 | | 867 | 762 | | | | | | 1047 | 1730 | 703 | 597 | | 36 | 573 | |



CLEARANCES FROM COMBUSTIBLES

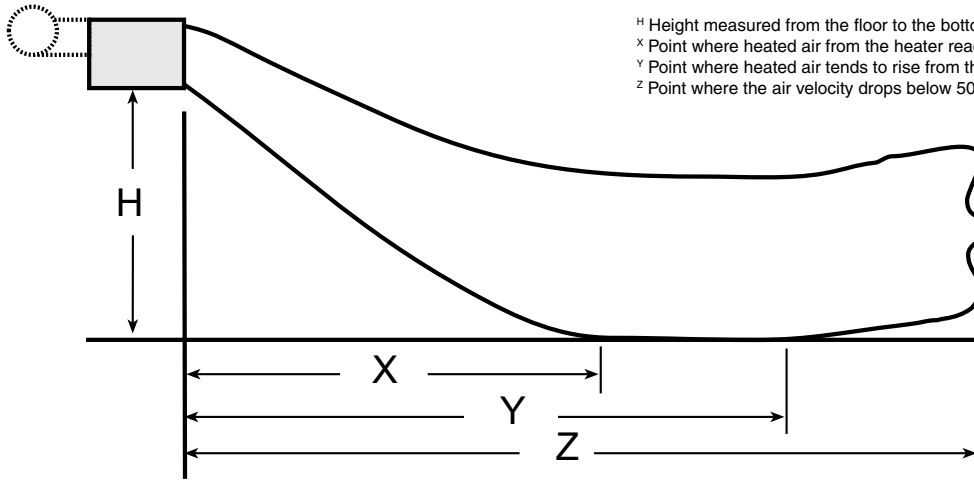
| Size | Top | | Flue Connector | | Access Panel ^J | | Non-Access Side | | Bottom ^K | | Rear ^L | |
|---------|--------|-----|----------------|-----|---------------------------|-----|-----------------|----|---------------------|----|-------------------|-----|
| | inches | mm | inches | mm | inches | mm | inches | mm | inches | mm | inches | mm |
| 30-125 | 1 | 25 | 6 | 152 | 18 | 457 | 1 | 25 | 1 | 25 | 18 | 457 |
| 150-400 | 4 | 102 | 6 | 152 | 18 | 457 | 2 | 51 | 1 | 25 | 18 | 457 |

^J Access Panel clearance is required for service clearance to controls

^K Suspend the heater so that the bottom is a minimum of 5' (1.5M) above the floor.

^L Rear clearance is required for air movement. Rear clearance should be measured from the fan motor.

THROW/FLOOR COVERAGE



- ^H Height measured from the floor to the bottom of the unit heater.
- ^X Point where heated air from the heater reaches the floor.
- ^Y Point where heated air tends to rise from the floor.
- ^Z Point where the air velocity drops below 50 feet per minute (254 mm/sec).

Dimensions in Feet

| Size | Low Speed | | | | | | | | | | | | | | | | 75°F Rise | | | | | | | | | | | |
|-----------------|-----------|----|----|------------|----|----|----|------------|----|----|----|------------|----|----|----|------------|-----------|----|----|------------|-----|----|----|------------|-----|----|----|------------|
| | 30 | | | | 45 | | | | 60 | | | | 75 | | | | 100 | | | | 125 | | | | 150 | | | |
| Mounting Height | X | Y | Z | Lvr. Angle | X | Y | Z | Lvr. Angle | X | Y | Z | Lvr. Angle | X | Y | Z | Lvr. Angle | X | Y | Z | Lvr. Angle | X | Y | Z | Lvr. Angle | X | Y | Z | Lvr. Angle |
| 5 | 7 | 15 | 38 | -27° | 7 | 17 | 44 | -20° | 11 | 26 | 78 | -15° | 11 | 24 | 74 | -13° | 10 | 23 | 74 | -16° | 10 | 22 | 69 | -14° | -- | -- | -- | -- |
| 8 | 7 | 13 | 32 | -44° | 9 | 17 | 40 | -34° | 14 | 26 | 76 | -23° | 13 | 26 | 72 | -23° | 13 | 25 | 72 | -25° | 12 | 24 | 65 | -24° | 9 | 16 | 44 | -39° |
| 10 | 7 | 11 | 25 | -56° | 9 | 16 | 37 | -42° | 15 | 27 | 72 | -29° | 15 | 25 | 69 | -28° | 14 | 25 | 69 | -31° | 13 | 24 | 62 | -31° | 9 | 14 | 38 | -48° |
| 12 | -- | -- | -- | -- | 9 | 14 | 31 | -52° | 16 | 26 | 70 | -34° | 15 | 25 | 65 | -34° | 14 | 24 | 66 | -37° | 14 | 23 | 58 | -37° | 7 | 11 | 30 | -58° |
| 14 | -- | -- | -- | -- | -- | -- | -- | -- | 16 | 25 | 65 | -40° | 15 | 24 | 62 | -40° | 14 | 23 | 62 | -43° | 14 | 21 | 54 | -43° | -- | -- | -- | -- |
| 16 | -- | -- | -- | -- | -- | -- | -- | -- | 15 | 24 | 60 | -46° | 15 | 23 | 56 | -46° | 14 | 21 | 57 | -49° | 12 | 19 | 47 | -51° | -- | -- | -- | -- |
| 18 | -- | -- | -- | -- | -- | -- | -- | -- | 14 | 22 | 53 | -52° | 14 | 21 | 50 | -52° | 12 | 18 | 51 | -56° | 11 | 17 | 40 | -57° | -- | -- | -- | -- |

| Size | Medium Speed | | | | | | | | | | | | | | | | 60°F Rise | | | | | | | | | | | |
|-----------------|--------------|----|----|------------|----|----|----|------------|----|----|----|------------|----|----|----|------------|-----------|----|----|------------|-----|----|----|------------|-----|----|----|------------|
| | 30 | | | | 45 | | | | 60 | | | | 75 | | | | 100 | | | | 125 | | | | 150 | | | |
| Mounting Height | X | Y | Z | Lvr. Angle | X | Y | Z | Lvr. Angle | X | Y | Z | Lvr. Angle | X | Y | Z | Lvr. Angle | X | Y | Z | Lvr. Angle | X | Y | Z | Lvr. Angle | X | Y | Z | Lvr. Angle |
| 5 | 7 | 16 | 43 | -24° | 9 | 21 | 60 | -15° | 12 | 28 | 91 | -13° | 11 | 27 | 84 | -11° | 11 | 27 | 86 | -13° | 12 | 29 | 96 | -10° | -- | -- | -- | -- |
| 8 | 9 | 16 | 38 | -38° | 11 | 23 | 57 | -26° | 16 | 30 | 89 | -21° | 15 | 29 | 82 | -19° | 15 | 28 | 83 | -21° | 16 | 31 | 94 | -18° | 13 | 24 | 74 | -28° |
| 10 | 8 | 14 | 33 | -48° | 13 | 22 | 54 | -32° | 17 | 30 | 86 | -26° | 16 | 30 | 79 | -25° | 17 | 29 | 81 | -26° | 18 | 32 | 92 | -23° | 13 | 22 | 62 | -35° |
| 12 | 8 | 12 | 28 | -56° | 13 | 21 | 51 | -39° | 18 | 31 | 83 | -31° | 17 | 30 | 77 | -30° | 17 | 29 | 78 | -32° | 19 | 32 | 89 | -27° | 13 | 21 | 57 | -42° |
| 14 | -- | -- | -- | -- | 12 | 20 | 46 | -46° | 18 | 30 | 79 | -36° | 18 | 29 | 74 | -34° | 18 | 29 | 74 | -37° | 20 | 32 | 87 | -32° | 12 | 19 | 51 | -49° |
| 16 | -- | -- | -- | -- | 11 | 17 | 40 | -53° | 19 | 29 | 75 | -41° | 18 | 28 | 70 | -39° | 18 | 27 | 70 | -42° | 20 | 31 | 83 | -36° | 11 | 16 | 43 | -57° |
| 18 | -- | -- | -- | -- | -- | -- | -- | -- | 17 | 28 | 69 | -46° | 18 | 26 | 65 | -44° | 17 | 26 | 64 | -47° | 20 | 30 | 78 | -40° | -- | -- | -- | -- |

| Size | High Speed | | | | | | | | | | | | | | | | 45°F Rise | | | | | | | | | | | |
|-----------------|------------|----|----|------------|----|----|----|------------|----|----|-----|------------|----|----|----|------------|-----------|----|-----|------------|-----|----|-----|------------|-----|----|-----|------------|
| | 30 | | | | 45 | | | | 60 | | | | 75 | | | | 100 | | | | 125 | | | | 150 | | | |
| Mounting Height | X | Y | Z | Lvr. Angle | X | Y | Z | Lvr. Angle | X | Y | Z | Lvr. Angle | X | Y | Z | Lvr. Angle | X | Y | Z | Lvr. Angle | X | Y | Z | Lvr. Angle | X | Y | Z | Lvr. Angle |
| 5 | 8 | 19 | 51 | -20° | 11 | 28 | 81 | -11° | 13 | 30 | 105 | -11° | 12 | 30 | 97 | -09° | 13 | 32 | 110 | -10° | 13 | 33 | 113 | -7° | -- | -- | -- | -- |
| 8 | 10 | 19 | 48 | -31° | 15 | 29 | 79 | -19° | 17 | 33 | 103 | -19° | 17 | 33 | 95 | -16° | 18 | 34 | 108 | -17° | 19 | 36 | 111 | -13° | 18 | 32 | 107 | -19° |
| 10 | 11 | 19 | 44 | -39° | 16 | 30 | 78 | -24° | 19 | 34 | 100 | -23° | 19 | 33 | 94 | -20° | 20 | 36 | 106 | -21° | 21 | 37 | 109 | -17° | 19 | 34 | 104 | -24° |
| 12 | 11 | 17 | 40 | -46° | 17 | 30 | 75 | -29° | 21 | 35 | 98 | -27° | 20 | 34 | 92 | -25° | 22 | 36 | 104 | -25° | 23 | 39 | 107 | -21° | 21 | 34 | 102 | -28° |
| 14 | 9 | 15 | 33 | -56° | 18 | 30 | 72 | -34° | 22 | 34 | 95 | -31° | 21 | 34 | 89 | -29° | 23 | 36 | 102 | -29° | 24 | 39 | 105 | -25° | 22 | 34 | 98 | -32° |
| 16 | -- | -- | -- | -- | 19 | 29 | 69 | -39° | 23 | 33 | 91 | -35° | 22 | 33 | 86 | -33° | 24 | 36 | 99 | -33° | 25 | 40 | 103 | -29° | 22 | 33 | 94 | -36° |
| 18 | -- | -- | -- | -- | 18 | 28 | 64 | -44° | 21 | 33 | 86 | -40° | 22 | 33 | 83 | -37° | 23 | 36 | 95 | -37° | 26 | 39 | 101 | -32° | 21 | 33 | 89 | -41° |

| Size | 75°F Rise | | | | | | | | | | | | | | | | 80°F Rise | | | | | | | | | | | |
|-----------------|-----------|----|----|------------|-----|----|----|------------|-----|----|----|------------|-----|----|----|------------|-----------|----|----|------------|-----|----|----|------------|-----|----|----|------------|
| | 175 | | | | 200 | | | | 225 | | | | 250 | | | | 300 | | | | 350 | | | | 400 | | | |
| Mounting Height | X | Y | Z | Lvr. Angle | X | Y | Z | Lvr. Angle | X | Y | Z | Lvr. Angle | X | Y | Z | Lvr. Angle | X | Y | Z | Lvr. Angle | X | Y | Z | Lvr. Angle | X | Y | Z | Lvr. Angle |
| 8 | 12 | 22 | 69 | -30° | 13 | 24 | 76 | -27° | 13 | 24 | 82 | -29° | 14 | 27 | 95 | -26° | 12 | 21 | 70 | -32° | 13 | 25 | 82 | -27° | 15 | 28 | 95 | -24° |
| 10 | 12 | 22 | 65 | -37° | 14 | 24 | 72 | -33° | 12 | 21 | 66 | -38° | 16 | 27 | 91 | -31° | 12 | 21 | 65 | -39° | 14 | 25 | 77 | -33° | 16 | 28 | 92 | -29° |
| 12 | 13 | 21 | 59 | -43° | 14 | 23 | 68 | -39° | 12 | 20 | 60 | -45° | 16 | 27 | 86 | -37° | 12 | 19 | 58 | -47° | 14 | 24 | 72 | -40° | 17 | 28 | 88 | -34° |
| 14 | 11 | 19 | 52 | -51° | 14 | 22 | 62 | -46° | 11 | 18 | 53 | -52° | 16 | 25 | 80 | -43° | 10 | 17 | 50 | -55° | 14 | 22 | 66 | -46° | 17 | 27 | 82 | -39° |
| 16 | -- | -- | -- | -- | 12 | 20 | 53 | -53° | -- | -- | -- | -- | 16 | 23 | 73 | -49° | -- | -- | -- | -- | 13 | 20 | 57 | -53° | 17 | 26 | 76 | -45° |
| 18 | -- | -- | -- | -- | -- | -- | -- | -- | -- | -- | -- | -- | 14 | 21 | 64 | -56° | -- | -- | -- | -- | -- | -- | -- | -- | 16 | 24 | 69 | -50° |

Louver angle listed in the table is relative to the top of the unit heater.

THROW/FLOOR COVERAGE (continued)

Dimensions in Feet

| Size | 60°F Rise | | | | | | | | | | | | | | | | 70°F Rise | | | | | | | | | | | | | | | | | | | |
|-----------------|-----------|----|----|------------|-----|----|-----|------------|-----|----|-----|------------|-----|----|-----|------------|-----------|----|-----|------------|-----|----|-----|------------|-----|----|-----|------------|---|---|---|------------|--|--|--|--|
| | 175 | | | | 200 | | | | 225 | | | | 250 | | | | 300 | | | | 350 | | | | 400 | | | | | | | | | | | |
| Mounting Height | X | Y | Z | Lvr. Angle | X | Y | Z | Lvr. Angle | X | Y | Z | Lvr. Angle | X | Y | Z | Lvr. Angle | X | Y | Z | Lvr. Angle | X | Y | Z | Lvr. Angle | X | Y | Z | Lvr. Angle | X | Y | Z | Lvr. Angle | | | | |
| 8 | 15 | 29 | 92 | -22° | 16 | 31 | 100 | -21° | 16 | 29 | 100 | -24° | 19 | 34 | 127 | -20° | 16 | 28 | 100 | -24° | 18 | 33 | 119 | -20° | 17 | 31 | 111 | -21° | | | | | | | | |
| 10 | 16 | 29 | 89 | -28° | 18 | 31 | 97 | -25° | 16 | 30 | 96 | -29° | 20 | 35 | 123 | -24° | 17 | 29 | 96 | -29° | 19 | 34 | 116 | -25° | 18 | 32 | 107 | -26° | | | | | | | | |
| 12 | 17 | 29 | 85 | -33° | 19 | 31 | 93 | -30° | 17 | 30 | 92 | -34° | 21 | 36 | 120 | -28° | 18 | 29 | 92 | -34° | 21 | 34 | 113 | -29° | 19 | 32 | 103 | -31° | | | | | | | | |
| 14 | 17 | 28 | 80 | -38° | 20 | 30 | 89 | -34° | 18 | 28 | 87 | -38° | 22 | 35 | 116 | -32° | 18 | 28 | 87 | -39° | 22 | 34 | 109 | -33° | 20 | 31 | 99 | -35° | | | | | | | | |
| 16 | 17 | 27 | 75 | -43° | 20 | 29 | 84 | -39° | 18 | 27 | 80 | -44° | 23 | 35 | 111 | -37° | 18 | 27 | 81 | -44° | 22 | 33 | 104 | -37° | 20 | 31 | 93 | -40° | | | | | | | | |
| 18 | 17 | 25 | 69 | -48° | 19 | 29 | 79 | -44° | 17 | 26 | 74 | -49° | 23 | 34 | 106 | -41° | 17 | 25 | 73 | -50° | 22 | 32 | 98 | -41° | 20 | 29 | 88 | -44° | | | | | | | | |

| Size | 45°F Rise | | | | | | | | | | | | | | | | 50°F Rise | | | | | | | | | | | | | | | | | | | |
|-----------------|-----------|----|-----|------------|-----|----|-----|------------|-----|----|-----|------------|-----|----|-----|------------|-----------|----|-----|------------|-----|----|-----|------------|-----|----|-----|------------|---|---|---|------------|--|--|--|--|
| | 175 | | | | 200 | | | | 225 | | | | 250 | | | | 300 | | | | 350 | | | | 400 | | | | | | | | | | | |
| Mounting Height | X | Y | Z | Lvr. Angle | X | Y | Z | Lvr. Angle | X | Y | Z | Lvr. Angle | X | Y | Z | Lvr. Angle | X | Y | Z | Lvr. Angle | X | Y | Z | Lvr. Angle | X | Y | Z | Lvr. Angle | X | Y | Z | Lvr. Angle | | | | |
| 8 | 22 | 41 | 146 | -15° | 23 | 43 | 157 | -13° | 23 | 43 | 168 | -16° | 26 | 48 | 198 | -14° | 21 | 39 | 146 | -17° | 24 | 45 | 169 | -14° | 24 | 44 | 169 | -14° | | | | | | | | |
| 10 | 24 | 43 | 144 | -19° | 25 | 46 | 155 | -17° | 26 | 45 | 166 | -19° | 29 | 50 | 196 | -17° | 23 | 41 | 143 | -21° | 26 | 47 | 167 | -18° | 26 | 46 | 167 | -17° | | | | | | | | |
| 12 | 26 | 43 | 141 | -22° | 27 | 47 | 152 | -20° | 28 | 45 | 163 | -22° | 31 | 52 | 194 | -20° | 25 | 42 | 140 | -25° | 28 | 48 | 165 | -21° | 28 | 48 | 165 | -20° | | | | | | | | |
| 14 | 28 | 44 | 137 | -25° | 29 | 48 | 150 | -23° | 30 | 46 | 160 | -25° | 32 | 54 | 191 | -22° | 26 | 42 | 137 | -28° | 30 | 49 | 162 | -24° | 31 | 48 | 162 | -23° | | | | | | | | |
| 16 | 29 | 44 | 134 | -28° | 31 | 48 | 147 | -26° | 31 | 47 | 157 | -29° | 34 | 53 | 189 | -25° | 27 | 42 | 133 | -31° | 32 | 48 | 159 | -26° | 32 | 49 | 159 | -26° | | | | | | | | |
| 18 | 29 | 44 | 131 | -32° | 31 | 49 | 144 | -29° | 31 | 47 | 153 | -32° | 34 | 54 | 185 | -28° | 28 | 41 | 129 | -34° | 33 | 49 | 156 | -29° | 32 | 49 | 156 | -29° | | | | | | | | |

Louver angle listed in the table is relative to the top of the unit heater.

Dimensions in Meters

| Size | Low Speed | | | | | | | | | | | | | | | | 42°C Rise | | | | | | | | | | | | | | | | | | | |
|-----------------|-----------|-----|------|------------|-----|-----|------|------------|-----|-----|------|------------|-----|-----|------|------------|-----------|-----|------|------------|-----|-----|------|------------|-----|-----|------|------------|---|---|---|------------|--|--|--|--|
| | 30 | | | | 45 | | | | 60 | | | | 75 | | | | 100 | | | | 125 | | | | 150 | | | | | | | | | | | |
| Mounting Height | X | Y | Z | Lvr. Angle | X | Y | Z | Lvr. Angle | X | Y | Z | Lvr. Angle | X | Y | Z | Lvr. Angle | X | Y | Z | Lvr. Angle | X | Y | Z | Lvr. Angle | X | Y | Z | Lvr. Angle | X | Y | Z | Lvr. Angle | | | | |
| 1.5 | 2.1 | 4.6 | 11.6 | -27° | 2.1 | 5.2 | 13.4 | -20° | 3.4 | 7.9 | 23.8 | -15° | 3.4 | 7.3 | 22.6 | -13° | 3 | 7 | 22.6 | -16° | 3 | 6.7 | 21 | -14° | -- | -- | -- | -- | | | | | | | | |
| 2.4 | 2.1 | 4 | 9.8 | -44° | 2.7 | 5.2 | 12.2 | -34° | 4.3 | 7.9 | 23.2 | -23° | 4 | 7.9 | 21.9 | -23° | 4 | 7.6 | 21.9 | -25° | 3.7 | 7.3 | 19.8 | -24° | 2.7 | 4.9 | 13.4 | -39° | | | | | | | | |
| 3 | 2.1 | 3.4 | 7.6 | -56° | 2.7 | 4.9 | 11.3 | -42° | 4.6 | 8.2 | 21.9 | -29° | 4.6 | 7.6 | 21 | -28° | 4.3 | 7.6 | 21 | -31° | 4 | 7.3 | 18.9 | -31° | 2.7 | 4.3 | 11.6 | -48° | | | | | | | | |
| 3.7 | -- | -- | -- | -- | 2.7 | 4.3 | 9.4 | -52° | 4.9 | 7.9 | 21.3 | -34° | 4.6 | 7.6 | 19.8 | -34° | 4.3 | 7.3 | 20.1 | -37° | 4.3 | 7 | 17.7 | -37° | 2.1 | 3.4 | 9.1 | -58° | | | | | | | | |
| 4.3 | -- | -- | -- | -- | -- | -- | -- | -- | 4.9 | 7.6 | 19.8 | -40° | 4.6 | 7.3 | 18.9 | -40° | 4.3 | 7 | 18.9 | -43° | 4.3 | 6.4 | 16.5 | -43° | -- | -- | -- | -- | | | | | | | | |
| 4.9 | -- | -- | -- | -- | -- | -- | -- | -- | 4.6 | 7.3 | 18.3 | -46° | 4.6 | 7 | 17.1 | -46° | 4.3 | 6.4 | 17.4 | -49° | 3.7 | 5.8 | 14.3 | -51° | -- | -- | -- | -- | | | | | | | | |
| 5.5 | -- | -- | -- | -- | -- | -- | -- | -- | 4.3 | 6.7 | 16.2 | -52° | 4.3 | 6.4 | 15.2 | -52° | 3.7 | 5.5 | 15.5 | -56° | 3.4 | 5.2 | 12.2 | -57° | -- | -- | -- | -- | | | | | | | | |

| Size | Medium Speed | | | | | | | | | | | | | | | | 33°C Rise | | | | | | | | | | | | | | | | | | | |
|-----------------|--------------|-----|------|------------|-----|-----|------|------------|-----|-----|------|------------|-----|-----|------|------------|-----------|-----|------|------------|-----|-----|------|------------|-----|-----|------|------------|---|---|---|------------|--|--|--|--|
| | 30 | | | | 45 | | | | 60 | | | | 75 | | | | 100 | | | | 125 | | | | 150 | | | | | | | | | | | |
| Mounting Height | X | Y | Z | Lvr. Angle | X | Y | Z | Lvr. Angle | X | Y | Z | Lvr. Angle | X | Y | Z | Lvr. Angle | X | Y | Z | Lvr. Angle | X | Y | Z | Lvr. Angle | X | Y | Z | Lvr. Angle | X | Y | Z | Lvr. Angle | | | | |
| 1.5 | 2.1 | 4.9 | 13.1 | -24° | 2.7 | 6.4 | 18.3 | -15° | 3.7 | 8.5 | 27.7 | -13° | 3.4 | 8.2 | 25.6 | -11° | 3.4 | 8.2 | 26.2 | -13° | 3.7 | 8.8 | 29.3 | -10° | -- | -- | -- | -- | | | | | | | | |
| 2.4 | 2.7 | 4.9 | 11.6 | -38° | 3.4 | 7 | 17.4 | -26° | 4.9 | 9.1 | 27.1 | -21° | 4.6 | 8.8 | 25 | -19° | 4.6 | 8.5 | 25.3 | -21° | 4.9 | 9.4 | 28.7 | -18° | 4 | 7.3 | 22.6 | -28° | | | | | | | | |
| 3 | 2.4 | 4.3 | 10.1 | -48° | 4 | 6.7 | 16.5 | -32° | 5.2 | 9.1 | 26.2 | -26° | 4.9 | 9.1 | 24.1 | -25° | 5.2 | 8.8 | 24.7 | -26° | 5.5 | 9.8 | 28 | -23° | 4 | 6.7 | 18.9 | -35° | | | | | | | | |
| 3.7 | 2.4 | 3.7 | 8.5 | -56° | 4 | 6.4 | 15.5 | -39° | 5.5 | 9.4 | 25.3 | -31° | 5.2 | 9.1 | 23.5 | -30° | 5.2 | 8.8 | 23.8 | -32° | 5.8 | 9.8 | 27.1 | -27° | 4 | 6.4 | 17.4 | -42° | | | | | | | | |
| 4.3 | -- | -- | -- | -- | 3.7 | 6.1 | 14 | -46° | 5.5 | 9.1 | 24.1 | -36° | 5.5 | 8.8 | 22.6 | -34° | 5.5 | 8.8 | 22.6 | -37° | 6.1 | 9.8 | 26.5 | -32° | 3.7 | 5.8 | 15.5 | -49° | | | | | | | | |
| 4.9 | -- | -- | -- | -- | 3.4 | 5.2 | 12.2 | -53° | 5.8 | 8.8 | 22.9 | -41° | 5.5 | 8.5 | 21.3 | -39° | 5.5 | 8.2 | 21.3 | -42° | 6.1 | 9.4 | 25.3 | -36° | 3.4 | 4.9 | 13.1 | -57° | | | | | | | | |
| 5.5 | -- | -- | -- | -- | -- | -- | -- | -- | 5.2 | 8.5 | 21 | -46° | 5.5 | 7.9 | 19.8 | -44° | 5.2 | 7.9 | 19.5 | -47° | 6.1 | 9.1 | 23.8 | -40° | -- | -- | -- | -- | | | | | | | | |

Louver angle listed in the table is relative to the top of the unit heater.

THROW/FLOOR COVERAGE (continued)

Dimensions in Meters

| Size | High Speed | | | | | | | | | | | | | | | | | | | | 25°C Rise | | | | | | | | | | | | | | | |
|-----------------|------------|------|------|------------|-----|------|------|------------|-----|------|------|------------|------|------|------|------------|-----|------|------|------------|-----------|------|------|------------|-----|------|------|------------|----|----|----|------------|---|---|---|------------|
| | 30 | | | | 45 | | | | 60 | | | | 75 | | | | 100 | | | | 125 | | | | 150 | | | | | | | | | | | |
| Mounting Height | X | Y | Z | Lvr. Angle | X | Y | Z | Lvr. Angle | X | Y | Z | Lvr. Angle | X | Y | Z | Lvr. Angle | X | Y | Z | Lvr. Angle | X | Y | Z | Lvr. Angle | X | Y | Z | Lvr. Angle | X | Y | Z | Lvr. Angle | | | | |
| 1.5 | 2.4 | 5.8 | 15.5 | -20° | 3.4 | 8.5 | 24.7 | -11° | 4 | 9.1 | 32 | -11° | 3.7 | 9.1 | 29.6 | -09° | 4 | 9.8 | 33.5 | -10° | 4 | 10.1 | 34.4 | -7° | -- | -- | -- | -- | -- | -- | -- | -- | | | | |
| 2.4 | 3 | 5.8 | 14.6 | -31° | 4.6 | 8.8 | 24.1 | -19° | 5.2 | 10.1 | 31.4 | -19° | 5.2 | 10.1 | 29 | -16° | 5.5 | 10.4 | 32.9 | -17° | 5.8 | 11 | 33.8 | -13° | 5.5 | 9.8 | 32.6 | -19° | -- | -- | -- | -- | | | | |
| 3 | 3.4 | 5.8 | 13.4 | -39° | 4.9 | 9.1 | 23.8 | -24° | 5.8 | 10.4 | 30.5 | -23° | 5.8 | 10.1 | 28.7 | -20° | 6.1 | 11 | 32.3 | -21° | 6.4 | 11.3 | 33.2 | -17° | 5.8 | 10.4 | 31.7 | -24° | -- | -- | -- | -- | | | | |
| 3.7 | 3.4 | 5.2 | 12.2 | -46° | 5.2 | 9.1 | 22.9 | -29° | 6.4 | 10.7 | 29.9 | -27° | 6.1 | 10.4 | 28 | -25° | 6.7 | 11 | 31.7 | -25° | 7 | 11.9 | 32.6 | -21° | 6.4 | 10.4 | 31.1 | -28° | -- | -- | -- | -- | | | | |
| 4.3 | 2.7 | 4.6 | 10.1 | -56° | 5.5 | 9.1 | 21.9 | -34° | 6.7 | 10.4 | 29 | -31° | 6.4 | 10.4 | 27.1 | -29° | 7 | 11 | 31.1 | -29° | 7.3 | 11.9 | 32 | -25° | 6.7 | 10.4 | 29.9 | -32° | -- | -- | -- | -- | | | | |
| 4.9 | -- | -- | -- | -- | 5.8 | 8.8 | 21 | -39° | 7 | 10.1 | 27.7 | -35° | 6.7 | 10.1 | 26.2 | -33° | 7.3 | 11 | 30.2 | -33° | 7.6 | 12.2 | 31.4 | -29° | 6.7 | 10.1 | 28.7 | -36° | -- | -- | -- | -- | | | | |
| 5.5 | -- | -- | -- | -- | 5.5 | 8.5 | 19.5 | -44° | 6.4 | 10.1 | 26.2 | -40° | 6.7 | 10.1 | 25.3 | -37° | 7 | 11 | 29 | -37° | 7.9 | 11.9 | 30.8 | -32° | 6.4 | 10.1 | 27.1 | -41° | -- | -- | -- | -- | | | | |
| Size | 42°C Rise | | | | | | | | | | | | | | | | | | | | 44°C Rise | | | | | | | | | | | | | | | |
| | 175 | | | | 200 | | | | 225 | | | | 250 | | | | 300 | | | | 350 | | | | 400 | | | | | | | | | | | |
| Mounting Height | X | Y | Z | Lvr. Angle | X | Y | Z | Lvr. Angle | X | Y | Z | Lvr. Angle | X | Y | Z | Lvr. Angle | X | Y | Z | Lvr. Angle | X | Y | Z | Lvr. Angle | X | Y | Z | Lvr. Angle | X | Y | Z | Lvr. Angle | X | Y | Z | Lvr. Angle |
| 2.4 | 3.7 | 6.7 | 21 | -30° | 4 | 7.3 | 23.2 | -27° | 4 | 7.3 | 25 | -29° | 4.3 | 8.2 | 29 | -26° | 3.7 | 6.4 | 21.3 | -32° | 4 | 7.6 | 25 | -27° | 4.6 | 8.5 | 29 | -26° | -- | -- | -- | -- | | | | |
| 3 | 3.7 | 6.7 | 19.8 | -37° | 4.3 | 7.3 | 21.9 | -33° | 3.7 | 6.4 | 20.1 | -38° | 4.9 | 8.2 | 27.7 | -31° | 3.7 | 6.4 | 19.8 | -39° | 4.3 | 7.6 | 23.5 | -33° | 4.9 | 8.5 | 28 | -31° | -- | -- | -- | -- | | | | |
| 3.7 | 4 | 6.4 | 18 | -43° | 4.3 | 7 | 20.7 | -39° | 3.7 | 6.1 | 18.3 | -45° | 4.9 | 8.2 | 26.2 | -37° | 3.7 | 5.8 | 17.7 | -47° | 4.3 | 7.3 | 21.9 | -40° | 5.2 | 8.5 | 26.8 | -37° | -- | -- | -- | -- | | | | |
| 4.3 | 3.4 | 5.8 | 15.8 | -51° | 4.3 | 6.7 | 18.9 | -46° | 3.4 | 5.5 | 16.2 | -52° | 4.9 | 7.6 | 24.4 | -43° | 3 | 5.2 | 15.2 | -55° | 4.3 | 6.7 | 20.1 | -46° | 5.2 | 8.2 | 25 | -43° | -- | -- | -- | -- | | | | |
| 4.9 | -- | -- | -- | -- | 3.7 | 6.1 | 16.2 | -53° | -- | -- | -- | -- | 4.9 | 7 | 22.3 | -49° | -- | -- | -- | -- | 4 | 6.1 | 17.4 | -53° | 5.2 | 7.9 | 23.2 | -49° | -- | -- | -- | -- | | | | |
| 5.5 | -- | -- | -- | -- | -- | -- | -- | -- | -- | -- | -- | -- | 4.3 | 6.4 | 19.5 | -56° | -- | -- | -- | -- | -- | -- | -- | -- | 4.9 | 7.3 | 21 | -56° | -- | -- | -- | -- | | | | |
| Size | 33°C Rise | | | | | | | | | | | | | | | | | | | | 39°C Rise | | | | | | | | | | | | | | | |
| | 175 | | | | 200 | | | | 225 | | | | 250 | | | | 300 | | | | 350 | | | | 400 | | | | | | | | | | | |
| Mounting Height | X | Y | Z | Lvr. Angle | X | Y | Z | Lvr. Angle | X | Y | Z | Lvr. Angle | X | Y | Z | Lvr. Angle | X | Y | Z | Lvr. Angle | X | Y | Z | Lvr. Angle | X | Y | Z | Lvr. Angle | X | Y | Z | Lvr. Angle | X | Y | Z | Lvr. Angle |
| 2.4 | 4.6 | 8.8 | 28 | -22° | 4.9 | 9.4 | 30.5 | -21° | 4.9 | 8.8 | 30.5 | -24° | 5.8 | 10.4 | 38.7 | -20° | 4.9 | 8.5 | 30.5 | -24° | 5.5 | 10.1 | 36.3 | -20° | 5.2 | 9.4 | 33.8 | -21° | -- | -- | -- | -- | | | | |
| 3 | 4.9 | 8.8 | 27.1 | -28° | 5.5 | 9.4 | 29.6 | -25° | 4.9 | 9.1 | 29.3 | -29° | 6.1 | 10.7 | 37.5 | -24° | 5.2 | 8.8 | 29.3 | -29° | 5.8 | 10.4 | 35.4 | -25° | 5.5 | 9.8 | 32.6 | -26° | -- | -- | -- | -- | | | | |
| 3.7 | 5.2 | 8.8 | 25.9 | -33° | 5.8 | 9.4 | 28.3 | -30° | 5.2 | 9.1 | 28 | -34° | 6.4 | 11 | 36.6 | -28° | 5.5 | 8.8 | 28 | -34° | 6.4 | 10.4 | 34.4 | -29° | 5.8 | 9.8 | 31.4 | -31° | -- | -- | -- | -- | | | | |
| 4.3 | 5.2 | 8.5 | 24.4 | -38° | 6.1 | 9.1 | 27.1 | -34° | 5.5 | 8.5 | 26.5 | -38° | 6.7 | 10.7 | 35.4 | -32° | 5.5 | 8.5 | 26.5 | -39° | 6.7 | 10.4 | 33.2 | -33° | 6.1 | 9.4 | 30.2 | -35° | -- | -- | -- | -- | | | | |
| 4.9 | 5.2 | 8.2 | 22.9 | -43° | 6.1 | 8.8 | 25.6 | -39° | 5.5 | 8.2 | 24.4 | -44° | 7 | 10.7 | 33.8 | -37° | 5.5 | 8.2 | 24.7 | -44° | 6.7 | 10.1 | 31.7 | -37° | 6.1 | 9.4 | 28.3 | -40° | -- | -- | -- | -- | | | | |
| 5.5 | 5.2 | 7.6 | 21 | -48° | 5.8 | 8.8 | 24.1 | -44° | 5.2 | 7.9 | 22.6 | -49° | 7 | 10.4 | 32.3 | -41° | 5.2 | 7.6 | 22.3 | -50° | 6.7 | 9.8 | 29.9 | -41° | 6.1 | 8.8 | 26.8 | -44° | -- | -- | -- | -- | | | | |
| Size | 25°C Rise | | | | | | | | | | | | | | | | | | | | 28°C Rise | | | | | | | | | | | | | | | |
| | 175 | | | | 200 | | | | 225 | | | | 250 | | | | 300 | | | | 350 | | | | 400 | | | | | | | | | | | |
| Mounting Height | X | Y | Z | Lvr. Angle | X | Y | Z | Lvr. Angle | X | Y | Z | Lvr. Angle | X | Y | Z | Lvr. Angle | X | Y | Z | Lvr. Angle | X | Y | Z | Lvr. Angle | X | Y | Z | Lvr. Angle | X | Y | Z | Lvr. Angle | X | Y | Z | Lvr. Angle |
| 2.4 | 6.7 | 12.5 | 44.5 | -15° | 7 | 13.1 | 47.9 | -13° | 7 | 13.1 | 51.2 | -16° | 7.9 | 14.6 | 60.4 | -14° | 6.4 | 11.9 | 44.5 | -17° | 7.3 | 13.7 | 51.5 | -14° | 7.3 | 13.4 | 51.5 | -14° | -- | -- | -- | -- | | | | |
| 3 | 7.3 | 13.1 | 43.9 | -19° | 7.6 | 14 | 47.2 | -17° | 7.9 | 13.7 | 50.6 | -19° | 8.8 | 15.2 | 59.7 | -17° | 7 | 12.5 | 43.6 | -21° | 7.9 | 14.3 | 50.9 | -18° | 7.9 | 14 | 50.9 | -17° | -- | -- | -- | -- | | | | |
| 3.7 | 7.9 | 13.1 | 43 | -22° | 8.2 | 14.3 | 46.3 | -20° | 8.5 | 13.7 | 49.7 | -22° | 9.4 | 15.8 | 59.1 | -20° | 7.6 | 12.8 | 42.7 | -25° | 8.5 | 14.6 | 50.3 | -21° | 8.5 | 14.6 | 50.3 | -20° | -- | -- | -- | -- | | | | |
| 4.3 | 8.5 | 13.4 | 41.8 | -25° | 8.8 | 14.6 | 45.7 | -23° | 9.1 | 14 | 48.8 | -25° | 9.8 | 16.5 | 58.2 | -22° | 7.9 | 12.8 | 41.8 | -28° | 9.1 | 14.9 | 49.4 | -24° | 9.4 | 14.6 | 49.4 | -23° | -- | -- | -- | -- | | | | |
| 4.9 | 8.8 | 13.4 | 40.8 | -28° | 9.4 | 14.6 | 44.8 | -26° | 9.4 | 14.3 | 47.9 | -29° | 10.4 | 16.2 | 57.6 | -25° | 8.2 | 12.8 | 40.5 | -31° | 9.8 | 14.6 | 48.5 | -26° | 9.8 | 14.9 | 48.5 | -26° | -- | -- | -- | -- | | | | |
| 5.5 | 8.8 | 13.4 | 39.9 | -32° | 9.4 | 14.9 | 43.9 | -29° | 9.4 | 14.3 | 46.6 | -32° | 10.4 | 16.5 | 56.4 | -28° | 8.5 | 12.5 | 39.3 | -34° | 10.1 | 14.9 | 47.5 | -29° | 9.8 | 14.9 | 47.5 | -29° | -- | -- | -- | -- | | | | |

Louver angle listed in the table is relative to the top of the unit heater.

GENERAL INFORMATION

WARNING: Gas-fired appliances are not designed for use in hazardous atmospheres containing flammable vapors or combustible dust, or atmospheres containing chlorinated or halogenated hydrocarbons.

Installations in public garages or airplane hangars are permitted when in accordance with ANSI Z223.1 and NFPA 54 codes or CAN1-B149 and enforcing authorities.

FOR YOUR SAFETY

What to do if you smell gas:

- Do not try to light any appliance.
 - Do not touch any electrical switch; do not use any phone in your building.
 - Immediately call your gas supplier from a neighbor's phone. Follow the gas supplier's instructions.
 - If you cannot reach your gas supplier, immediately call your fire department.
-

FOR YOUR SAFETY

Do not store or use gasoline or other flammable vapors and liquids in the vicinity of this or any other appliance.

WARNING: Improper installation, adjustment, alteration, service, or maintenance can cause property damage, injury, or death. Read the installation, operation, and maintenance instructions thoroughly before installing or servicing this equipment.

Requirements for installation vary depending on the model of heater and the type of installation. Follow the manufacturer's instructions and comply with all applicable codes.



HRAI
✓ MEMBER COMPANY

For complete catalog information including submittals, energy calculations, dimension drawings, and more go to www.ReznorHVAC.com or call 800-695-1901.

Note: In keeping with our policy of continuous product improvement, we reserve the right to alter, at any time, the design, construction, dimensions, weights, etc., of equipment information shown here.

© 2021 Nortek Global HVAC, LLC.
Reznor is a registered trademark of Nortek Global HVAC, LLC. All other trademarks are the property of their respective owners.
All rights Reserved. Printed in U.S.A.

655F-0521 (Replaces 655F-0321)

REZNOR®