

UNIT HEATER INSTALLATION/OPERATION/MAINTENANCE

MODEL UBX: STANDARD POWER VENT BLOWER TYPE
MODEL UBZ: SEPARATED-COMBUSTION BLOWER TYPE
MODEL UDX: STANDARD POWER VENT FAN TYPE
MODEL UDZ: SEPARATED-COMBUSTION FAN TYPE



⚠ DANGER ⚠

FIRE OR EXPLOSION HAZARD

- Failure to follow safety warnings exactly could result in serious injury, death, or property damage.
- Improper installation, adjustment, alteration, service, or maintenance can cause serious injury, death, or property damage.
- Installation and service must be performed by a qualified installer, service agency, or the gas supplier.
- Be sure to read and understand the installation, operation, and service instructions in this manual.
- Do not store or use gasoline or other flammable vapors and liquids in the vicinity of this or any other appliance.

WHAT TO DO IF YOU SMELL GAS

- Do not try to light any appliance.
- Do not touch any electrical switch; do not use any phone in your building.
- Leave the building immediately.
- Immediately call your gas supplier from a phone remote from the building. Follow the gas supplier's instructions.
- If you cannot reach your gas supplier, call the fire department.

DO NOT DESTROY. PLEASE READ CAREFULLY. KEEP IN A SAFE PLACE FOR FUTURE REFERENCE.

TABLE OF CONTENTS

GENERAL INFORMATION	3
References	3
Important Safety Information	4
Certification	4
Warranty	4
Installation Codes	5
Unit Location	5
Heater Throw	5
Mounting Height Requirements	7
Hazards of Chlorine	7
Dimensions	7
Clearances	10
Weights	10
Combustion Air Requirements	11
Acoustical Considerations	12
Technical Data	12
INSTALLATION	16
Unpacking and Inspection	16
Pre-Installation Checklist	16
Heater Suspension	17
Suspension of Heater with Downturn Nozzle	18
Suspension of Heater Using CK10 Hanger Kit	18
Suspension of Heater Using Option CK22 Hanger Kit	18
Heater Suspension Using Field-Supplied Threaded Rods	19
Piping Connections	19
Gas Supply Pressure	19
Gas Supply Piping	19
Supply Piping Connections	20
Electrical Connections	21
CONTROLS	23
Pressure Switch	23
High Temperature Limit Control	25
Flame Rollout Switch (UDX Model Unit Sizes 030–125)	25
Interlock Door Switch (UBZ and UDZ Models)	25
Main Operating Gas Valve	25
Fan Motor	25
Venter Motor	25
Thermostat Options	26
Circuit Board (DSI Control Module)	26
OPERATION	27
Pre-Startup Checklist	27
Startup	27
Operating Sequences	29
Vent System Testing	31
Post-Startup Checklist	32
ADJUSTMENTS	32
Pressure Switch Replacement	32
Measure and Adjust Manifold (Outlet) Gas Pressure	33
Measure and Adjust Manifold Gas Pressure—Elevation ≤2,000 Feet (≤610 Meters)	33
Measure and Adjust Manifold Gas Pressure—Elevation >2,000 Feet (>610 Meters)	35

TABLE OF CONTENTS—CONTINUED

MAINTENANCE	37
Service Checklist	37
Maintenance Procedures	37
Burner Maintenance	37
Burner Orifice Maintenance	40
Heat Exchanger Maintenance	40
Ignition System Maintenance	40
Maintenance of Fan Motor, Fan Blades, and Fan Guard	41
Venter Motor and Wheel Assembly Maintenance	42
Operating Gas Valve Maintenance	43
Pressure Switch Maintenance	43
High Temperature Limit Control Maintenance	43
Flame Rollout Switch Maintenance (Model UDZ Unit Sizes 030–125 Only)	44
Interlock Door Switch Maintenance (Models UBZ and UDZ Only)	44
Transformer Maintenance	44
Disconnect Switch Replacement (Models UBZ and UDZ Only)	44
Vent or Vent/Combustion Air System Maintenance	44
TROUBLESHOOTING	44
Unit Troubleshooting Using DSI Control Module	44
General Troubleshooting	46
INSTALLATION RECORD (TO BE COMPLETED BY INSTALLER)	48

GENERAL INFORMATION

- This unit heater has been tested for capacity and efficiency so as to provide many years of safe and dependable comfort providing it is properly installed and maintained. With regular maintenance, this unit will operate satisfactorily year after year. Abuse, improper use, and/or improper maintenance can shorten the life of the appliance and create unsafe hazards.
- To achieve optimum performance and minimize equipment failure, it is recommended that periodic maintenance be performed on this unit. The ability to properly perform maintenance on this equipment requires certain tools and mechanical skills.
- This manual applies only to the models listed. Accessories referenced may not apply to all models.

References

Both this installation/operation manual and the appropriate venting instructions are shipped with the heater. Verify that the literature is correct for the heater being installed. If either manual is missing or incorrect, contact your Distributor before beginning installation.

Table 1. Related Technical Manuals Available from Factory Distributor		
Type	Form	PN*
Replacement parts	UBX-UBZ-UDX-UDZ-RPL	1034346
Venting instructions**	UBX-UDX-VENTING	1034631
	UBZ-UDZ-VENTING	1034632
Vertical louver kit installation	UBX-UBZ-UDX-UDZ-UEZ-CD1	1036173
Downturn nozzle kit installation	UBX-UBZ-UDX-UDZ-UEZ-CD2,3,4,5	1036421
Duct flange kit installation	UBX-UBZ-CD9	1036171
Polytube adapter kit installation	UBX-UBZ-CD11	1036422
Ceiling suspension kit installation	UDX-UDZ-CK22	1037006
Gas conversion kit installation	UBX-UBZ-UDX-UDZ-GC	1034364
Vent/combustion air kit installation	OPT-CC2-CC6	205892
Relay kits for multiple heater control	OPT-CL31-CL32	102247
Heat exchanger gasket kit installation	UBX-UBZ-UDX-UDZ-UEZ-HX	1037154
*Also available at www.reznorhvac.com .		
**BOTH this installation manual and the correct venting instructions are REQUIRED for the installation of this unit heater.		

GENERAL INFORMATION—CONTINUED

Important Safety Information

Please read all information in this manual thoroughly and become familiar with the capabilities and use of your appliance before attempting to operate or maintain this unit. Pay attention to all dangers, warnings, cautions, and notes highlighted in this manual. Safety markings should not be ignored and are used frequently throughout to designate a degree or level of seriousness.

DANGER: A danger statement describes a potentially hazardous situation that if not avoided, will result in severe personal injury or death and/or property damage.

WARNING: A warning statement describes a potentially hazardous situation that if not avoided, can result in severe personal injury and/or property damage.

CAUTION: A caution statement describes a potentially hazardous situation that if not avoided, can result in minor or moderate personal injury and/or property damage.

NOTE: A note provides important information that should not be ignored.

WARNING

- **Gas-fired appliances are not designed for use in hazardous atmospheres containing flammable vapors or combustible dust, in atmospheres containing chlorinated or halogenated hydrocarbons, or in applications with airborne silicone substances.**
- **Should overheating occur, or the gas supply control system fail to shut off the flow of gas, shut off the manual gas valve to the unit before shutting off the electrical supply.**
- **Do not use this appliance if any part has been under water. Immediately call a qualified service technician to inspect the appliance and replace any gas control that has been under water.**
- **Installation should be done by a qualified agency in accordance with these instructions. The qualified service agency installing this heater is responsible for the installation.**
- **This appliance is not intended for use by persons with reduced physical, sensory, or mental capabilities or lack of experience and knowledge, unless they have been given supervision or instruction concerning use of the appliance by a person responsible for their safety.**
- **Children should be supervised to ensure that they do not play with the appliance.**

Certification

- Unit sizes 030, 045, 060, 075, 100, and 125 are design-certified by the Canadian Standards Association for use in residential, industrial, and commercial installations. Utility heaters certified for **residential use** are intended for the heating of non-living spaces that are attached to or part of a structure that contains space for family living quarters. They are not intended to be the primary source of heat in residential applications or to be used in sleeping quarters.
- Unit sizes 150, 175, 200, 225, 250, 300, 350, and 400 are design-certified by the Canadian Standards Association for use in industrial and commercial installations only.
- All models and unit sizes are available for use with either natural or propane gas. The type of gas, the gas input rate, and the electrical supply requirement are shown on the heater rating plate. Check the rating plate to verify that the heater is appropriate for the installation site.

Warranty

Refer to the limited warranty form in the literature bag provided with the unit. The warranty is void if:

- Wiring is not in accordance with the diagram furnished with the heater.
- The unit is installed without proper clearance to combustible materials.
- A fan model is connected to a duct system or if the air delivery system is modified.

Installation Codes

- These units must be installed in accordance with local building codes. In the absence of local codes, in the United States, the unit must be installed in accordance with the National Fuel Gas Code, ANSI Z223.1. A Canadian installation must be in accordance with the CSA B149 Installation Codes. These codes are available from CSA Information Services, 1-800-463-6727. Local authorities having jurisdiction should be consulted before installation is made to verify local codes and installation procedure requirements.
- Installations in aircraft hangars should be in accordance with ANSI/NFPA No. 409 (latest edition), Standard for Aircraft Hangars. Installations in public garages should be in accordance with ANSI/NFPA No. 88A (latest edition), Standard for Parking Structures. Installations in repair garages should be in accordance with ANSI/NFPA No. 88B (latest edition), Standard for Repair Garages. In Canada, installations in aircraft hangars should be in accordance with the requirements of the enforcing authorities, and in public garages, in accordance with CSA B149 codes.
- If the heater is being installed in the Commonwealth of Massachusetts, installation must be performed by a licensed plumber or licensed gas fitter.

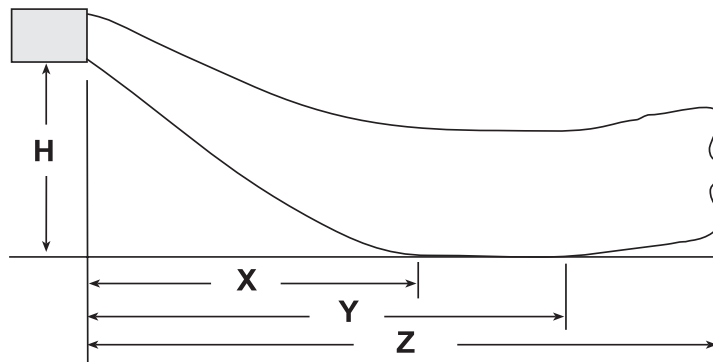
Unit Location

⚠ CAUTION ⚠

- **Unit heaters should not be used in an application where the heated space temperature is below 40°F (4°C). Operating under low ambient conditions may cause condensation to form in the heat exchanger.**
 - **Do not locate the heater where it may be exposed to water spray, rain, or dripping water.**
-
- Refer to the venting instructions provided with the unit for venting requirements.
 - Refer to the following sections of this manual to determine where to suspend the heater: [Heater Throw](#), [Mounting Height Requirements](#), [Hazards of Chlorine](#), [Dimensions](#), [Clearances](#), [Weights](#), [Combustion Air Requirements](#), and [INSTALLATION](#).

Heater Throw

Figure 1 shows throw patterns for fan model units. **Table 2** and **Table 3** list throw distances for standard, adjustable horizontal louvers on heaters suspended at varying mounting heights. The louver angles listed are relative to the top of the heater. The throw pattern changes with the addition of optional vertical louvers and/or downturn nozzles.



- H = Distance from bottom of heater to the floor
X = Distance from heater to start of floor coverage
Y = Distance to end of floor coverage
Z = Distance at which air velocity drops below 50 feet (15.2 meters) per minute

Figure 1. Heater Throw Patterns (Refer to [Table 2](#) and [Table 3](#))

GENERAL INFORMATION—CONTINUED

Heater Throw—Continued

Table 2. Heater Throw Distances with Standard Horizontal Louvers at Mounting Heights of 5 to 18 Feet

H	Distance*			Louver Angle	Distance*			Louver Angle	Distance*			Louver Angle	Distance*			Louver Angle	Distance*			Louver Angle	Distance*			Louver Angle						
	X	Y	Z		X	Y	Z		X	Y	Z		X	Y	Z		X	Y	Z		X	Y	Z							
	Unit Size																													
	030				045				060				075				100				125				150					
5	6	14	30	-21°	7	16	40	-20°	8	18	45	-16°	9	20	57	-14°	9	20	59	-18°	10	22	65	-14°	—					
8	7	13	26	-39°	9	16	37	-34°	10	18	42	-29°	12	22	54	-25°	11	21	56	-28°	12	23	63	-24°	13	24	73	-26°		
10	6	11	22	-52°	9	15	33	-43°	10	17	39	-37°	12	22	52	-32°	12	20	52	-36°	13	24	60	-30°	14	24	69	-32°		
12	—			8	12	27	-55°	10	16	34	-46°	12	21	48	-39°	11	19	47	-44°	14	23	57	-36°	14	24	64	-39°			
14	—			—			9	14	29	-56°	12	19	44	-46°	11	17	42	-51°	14	22	53	-43°	14	22	59	-45°				
16	—			—			—			11	17	38	-54°	10	14	34	-58°	13	20	47	-50°	13	20	53	-51°					
18	—			—			—			—			—			11	17	40	-57°	11	17	44	-58°							
H	175				200				225				250				300				350				400					
8	15	28	90	-22°	16	30	93	-20°	14	27	86	-24°	16	29	93	-21°	15	28	94	-24°	17	31	105	-20°	18	34	113	-17°		
10	17	29	87	-27°	17	31	91	-25°	15	27	82	-30°	17	30	90	-26°	16	28	89	-29°	18	32	103	-25°	20	35	110	-21°		
12	18	29	84	-32°	18	31	88	-30°	16	27	78	-35°	18	30	87	-31°	17	28	85	-34°	19	32	98	-30°	21	36	108	-25°		
14	18	28	79	-37°	19	30	84	-34°	16	26	73	-41°	18	30	83	-36°	17	27	80	-40°	20	32	95	-34°	23	35	105	-29°		
16	18	27	74	-42°	19	29	79	-39°	16	24	67	-47°	19	28	78	-41°	17	25	74	-45°	21	31	90	-38°	23	35	101	-33°		
18	17	26	68	-48°	19	28	74	-44°	14	22	60	-53°	18	27	72	-46°	16	24	66	-51°	20	30	85	-43°	23	35	97	-37°		

*Distance in feet (see Figure 1).

Table 3. Heater Throw Distances with Standard Horizontal Louvers at Mounting Heights of 1.5 to 5.5 Meters

H	Distance*			Louver Angle	Distance*			Louver Angle	Distance*			Louver Angle	Distance*			Louver Angle	Distance*			Louver Angle				
	X	Y	Z		X	Y	Z		X	Y	Z		X	Y	Z		X	Y	Z		X	Y	Z	
	Unit Size																							
	030				045				060				075				100				125			
1.5	1.8	4.3	9.1	-21°	2.1	4.9	12.2	-20°	2.4	5.5	13.8	-16°	2.7	6.1	17.4	-14°	2.7	6.1	18.0	-18°	3.0	6.7	19.9	-14°
2.4	2.1	4.0	7.9	-39°	2.7	4.9	11.3	-34°	3.0	5.5	12.8	-29°	3.7	6.7	16.5	-25°	3.4	6.4	17.1	-28°	3.7	7.0	19.2	-24°
3.0	1.8	3.4	6.7	-52°	2.7	4.6	10.0	-43°	3.0	5.2	11.9	-37°	3.7	6.7	15.8	-32°	3.7	6.1	15.8	-36°	4.0	7.3	18.3	-30°
3.7	—			2.4	3.7	8.2	-55°	3.0	4.9	10.4	-46°	3.7	6.4	14.6	-39°	3.4	5.8	14.3	-44°	4.3	7.0	17.4	-36°	
4.3	—			—			2.7	4.3	8.8	-56°	3.7	5.8	13.4	-46°	3.4	5.2	12.8	-51°	4.3	6.7	16.1	-43°		
4.9	—			—			—			3.4	5.2	11.6	-54°	3.0	4.3	10.4	-58°	4.0	6.1	14.3	-50°			
5.5	—			—			—			—			—			—			3.4	5.2	12.2	-57°		
H	150				175				200				225				250				300			
2.4	4.0	7.3	22.3	-26°	4.6	8.5	27.4	-22°	4.9	9.1	28.0	-20°	4.3	8.2	26.2	-24°	4.9	8.8	28.3	-21°	4.6	8.5	28.7	-24°
3.0	4.3	7.3	21.0	-32°	5.2	8.8	26.6	-27°	5.2	9.4	27.7	-25°	4.6	8.2	25.0	-30°	5.2	9.1	27.4	-26°	4.9	8.5	27.1	-29°
3.7	4.3	7.3	19.5	-39°	5.5	8.8	25.6	-32°	5.5	9.4	26.8	-30°	4.9	8.2	23.8	-35°	5.5	9.1	26.5	-31°	5.2	8.5	25.9	-34°
4.3	4.3	6.7	18.0	-45°	5.5	8.5	24.1	-37°	5.8	9.1	25.6	-34°	4.9	7.9	22.3	-41°	5.5	9.1	25.3	-36°	5.2	8.2	24.4	-40°
4.9	4.0	6.1	16.2	-51°	5.5	8.2	22.6	-42°	5.8	8.8	24.1	-39°	4.9	7.3	20.4	-47°	5.8	8.5	23.8	-41°	5.2	7.6	22.6	-45°
5.5	3.4	5.2	13.4	-58°	5.2	7.9	20.7	-48°	5.8	8.5	22.6	-44°	4.3	6.7	18.3	-53°	5.5	8.2	21.9	-46°	4.9	7.3	20.1	-51°
	Distance*			Louver Angle	Distance*			Louver Angle	Distance*			Louver Angle												
H	X	Y	Z		X	Y	Z		X	Y	Z													
	Unit Size																							
	350				400																			
2.4	5.2			9.4	32.0			-20°	5.5			11.3	34.4			-17°								
3.0	5.5			9.8	31.4			-25°	6.1			10.7	33.5			-21°								
3.7	5.8			9.8	29.9			-30°	6.4			11.0	32.9			-25°								
4.3	6.1			9.8	29.0			-34°	7.0			10.7	32.0			-29°								
4.9	6.4			9.4	27.4			-38°	7.0			10.7	30.8			-33°								
5.5	6.1			9.1	25.9			-43°	7.0			10.7	26.9			-37°								

*Distance in meters (see Figure 1).

Mounting Height Requirements

⚠ WARNING ⚠

If touched, the vent pipe and internal heater surfaces that are accessible from outside the heater will cause burns. Suspend the heater a minimum of 5 feet (1.5 meters) above the floor.

- For best results, the heater should be mounted with certain rules in mind. In general, a unit should be located 8 to 12 feet (2.4 to 3.7 meters) above the floor. Units should always be arranged to blow toward or along exposed wall surfaces, if possible. Where two or more units are installed in the same room, a general scheme of air circulation should be maintained for best results.
- Suspended heaters are most effective when located as close to the working zone as possible, and this fact should be kept in mind when determining the mounting heights to be used. However, care should be exercised to avoid directing the discharged air directly on the room occupants.
- Partitions, columns, counters, or other obstructions should be taken into consideration when locating the unit heater so that a minimum quantity of airflow will be deflected by such obstacles.
- When units are located in the center of the space to be heated, the air should be discharged toward the exposed walls. In large areas, units should be located to discharge air along exposed walls with extra units provided to discharge air in toward the center of the area.
- At those points where infiltration of cold air is excessive, such as at entrance doors and shipping doors, it is desirable to locate the unit so that it will discharge directly toward the source of cold air from a distance of 15 to 20 feet (4.6 to 6.1 meters).
- For a location where dirt, dust, or other airborne contaminants are present in the indoor environment, a separated-combustion unit that uses outside air for combustion is recommended. Using a separated-combustion unit reduces the buildup of contaminants on the burner. Any buildup on the burner adversely affects the combustion process.

Hazards of Chlorine

The presence of chlorine vapors in the combustion air of gas-fired heating equipment presents a potential corrosion hazard for separated-combustion heaters with regard to the combustion air inlet. Chlorine is usually found in the form of freon or degreaser vapors. When chlorine is exposed to flame, it will precipitate from the compound and go into solution with any condensation that is present in the heat exchanger or associated parts. The result is hydrochloric acid, which readily attacks all metals including 300 grade stainless steel. Care should be taken to separate these vapors from the combustion process. This may be done by wise location of the unit vent and combustion air terminals with regard to exhausters or prevailing wind directions. Chlorine is heavier than air. Keep these facts in mind when determining installation location of the heater in relation to building exhaust systems.

Dimensions

Unit dimensions are shown in [Figure 2](#) and [Figure 3](#) and listed in [Table 4](#) and [Table 5](#).

GENERAL INFORMATION—CONTINUED

Dimensions—Continued

NOTES:

1. * SIZES 150-400 - DIMENSION E VARIES WITH MOTOR SELECTION AND BELT ADJUSTMENT.
2. ** DIMENSIONS H AND K ARE THE HEATER SUSPENSION POINTS.

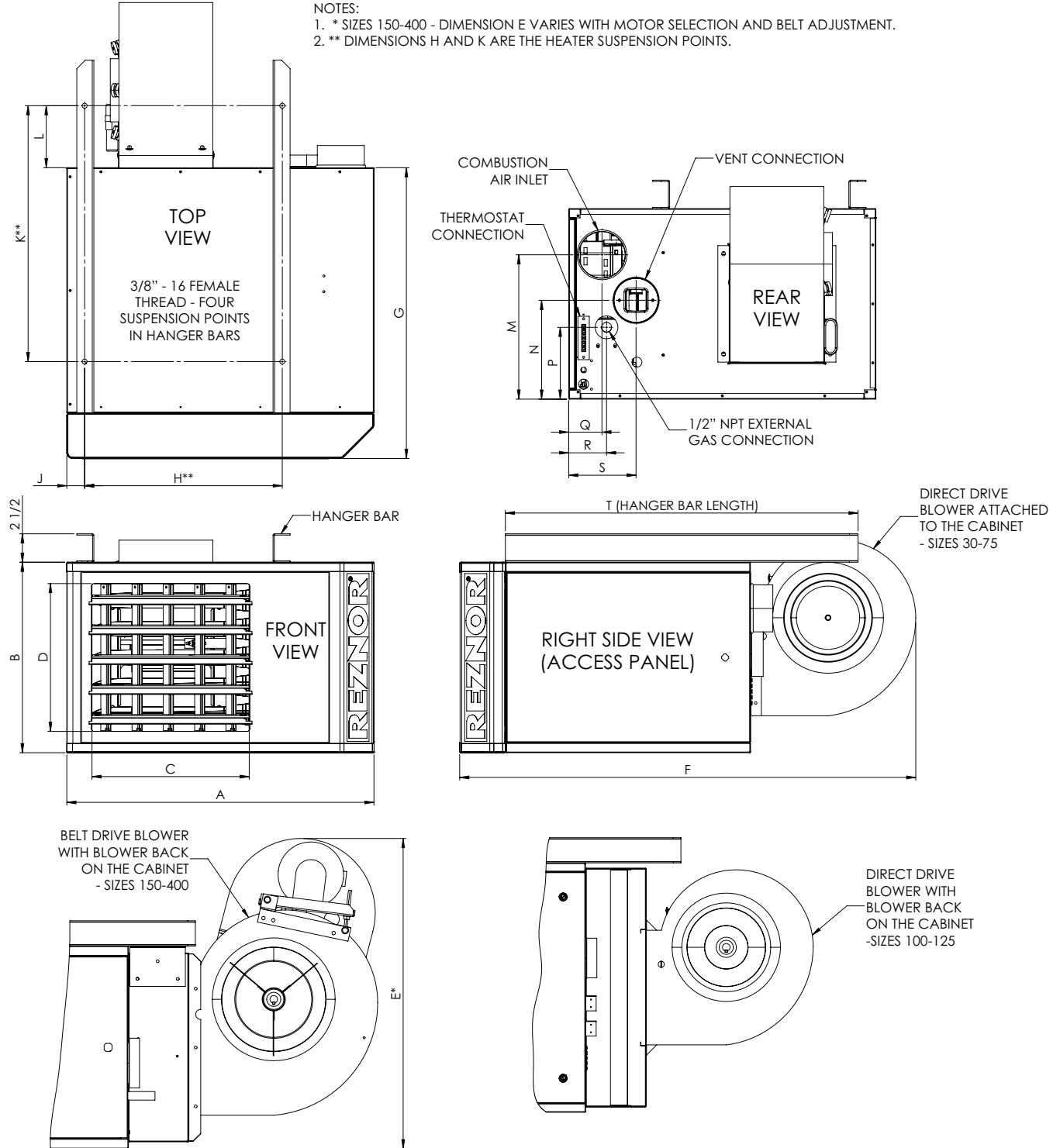


Figure 2. Dimensions—Models UBX and UBZ (Refer to Table 4)

Table 4. Dimensions—Models UBX and UBZ

Unit Size	Dimension (See Figure 2)																	
	A	B	C	D	E*	F	G	H**	J	K**	L	M	N	P	Q	R	S	T
	Inches (±1/16) (mm (±2))																	
030, 045	27 (686)	13-3/4 (349)	13-13/16 (351)	10 (254)	17-3/16 (437)	40-3/32 (1018)	25-17/32 (649)	17-3/8 (441)	1-9/16 (40)	22-1/2 (572)	6-15/32 (164)	10 (254)	6 (152)	3-1/2 (89)	2-21/32 (74)	5-31/32 (152)	3-5/16 (84)	31 (787)
060	27 (686)	16-3/4 (425)	13-13/16 (351)	13 (330)	18-11/16 (475)	40-3/32 (1018)	25-17/32 (649)	17-3/8 (441)	1-9/16 (40)	22-1/2 (572)	6-15/32 (164)	12-11/16 (322)	8-11/16 (221)	6-5/16 (160)	2-21/32 (74)	3-5/16 (84)	5-29/32 (150)	31 (787)
075	27 (686)	16-3/4 (425)	13-13/16 (351)	13 (330)	18-11/16 (475)	40-3/32 (1018)	25-17/32 (649)	17-3/8 (441)	1-9/16 (40)	22-1/2 (572)	5-15/32 (139)	12-11/16 (322)	8-11/16 (221)	6-5/16 (160)	2-21/32 (74)	3-5/16 (84)	5-29/32 (150)	31 (787)
100	27 (686)	24-3/4 (629)	13-13/16 (351)	21 (533)	24-1/16 (611)	48-1/8 (1222)	25-17/32 (649)	17-3/8 (441)	1-9/16 (40)	22-1/2 (572)	8-15/32 (215)	19-5/16 (491)	15-5/16 (389)	9-9/16 (243)	2-21/32 (74)	3-5/16 (84)	5-29/32 (150)	31 (787)
125	27 (686)	24-3/4 (629)	13-13/16 (351)	21 (533)	24-1/16 (611)	47-5/8 (1210)	25-17/32 (649)	17-3/8 (441)	1-9/16 (40)	22-1/2 (572)	7-15/32 (190)	19-5/16 (491)	15-5/16 (389)	9-9/16 (243)	2-21/32 (74)	3-5/16 (84)	5-29/32 (150)	31 (787)
150, 175	38-3/16 (970)	20-1/8 (511)	23 (584)	16 (406)	30-31/32 (786)	64-3/4 (1645)	40 (1016)	25-11/16 (653)	1-13/32 (36)	24-1/2 (622)	3-29/32 (99)	13-1/2 (343)	8-1/2 (216)	5-7/16 (138)	4-3/16 (106)	6-1/2 (165)	8-3/16 (208)	42 (1067)
200	38-3/16 (970)	20-1/8 (511)	23 (584)	16 (406)	30-31/32 (786)	64-3/4 (1645)	40 (1016)	25-11/16 (653)	1-13/32 (36)	24-1/2 (622)	3-29/32 (99)	14-9/16 (370)	9-9/16 (243)	5-7/16 (138)	4-3/16 (106)	6-1/2 (165)	8-3/16 (208)	42 (1067)
225, 250	38-3/16 (970)	26-1/8 (664)	23 (584)	22 (559)	37-1/32 (941)	68-1/8 (1730)	40 (1016)	25-11/16 (653)	1-13/32 (36)	24-1/2 (622)	5-29/32 (150)	18-1/16 (459)	13-1/16 (332)	9 (229)	4-3/16 (106)	6-1/2 (165)	8-3/16 (208)	42 (1067)
300, 350, 400	41 (1041)	34-1/8 (867)	23 (584)	30 (762)	41-7/32 (1047)	68-1/8 (1730)	40 (1016)	27-11/16 (703)	1-13/32 (36)	23-1/2 (597)	1-13/32 (36)	22-9/16 (573)	17-1/16 (433)	11-13/16 (300)	4-1/2 (114)	7-5/16 (186)	8-1/2 (216)	42 (1067)

*For unit sizes 150–400, dimension E varies with motor selection and belt adjustment.

**Dimensions H and K are the heater suspension points.

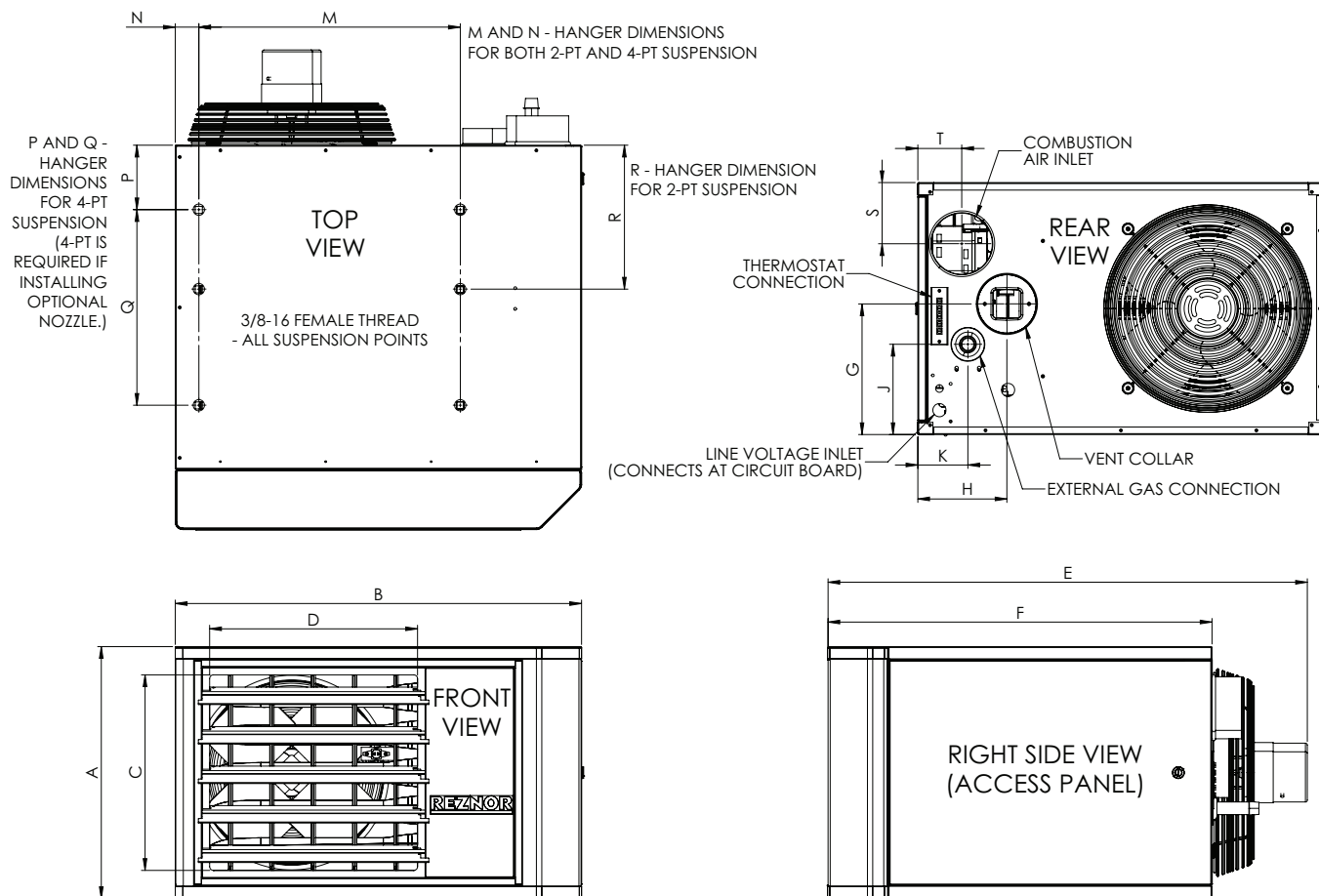


Figure 3. Dimensions—Models UDX and UDZ (Refer to Table 5)

GENERAL INFORMATION—CONTINUED

Dimensions—Continued

Table 5. Dimensions—Models UDX and UDZ																	
Unit Size	Dimension (See Figure 3)																
	A	B	C	D	E	F	G	H	J	K	M	N	P	Q	R	S	T
	Inches (±1/16) (mm (±2))																
030, 045	13-3/4 (349)	27 (686)	10 (254)	13-13/16 (351)	29-3/4 (756)	25-9/16 (649)	6 (152)	5-15/16 (151)	3-1/2 (89)	3-11/32 (85)	17-3/8 (441)	1-9/16 (40)	4-9/32 (109)	13 (330)	9-9/16 (243)	3-3/4 (95)	2-15/16 (75)
060	16-3/4 (425)	27 (686)	13 (330)	13-13/16 (351)	32-23/32 (831)	25-9/16 (649)	8-11/16 (221)	5-15/16 (151)	6 (152)	3-11/32 (85)	17-3/8 (441)	1-9/16 (40)	4-9/32 (109)	13 (330)	9-9/16 (243)	4-1/16 (103)	2-15/16 (75)
075	16-3/4 (425)	27 (686)	13 (330)	13-13/16 (351)	31-29/32 (810)	25-9/16 (649)	8-11/16 (221)	5-15/16 (151)	6 (152)	3-11/32 (85)	17-3/8 (441)	1-9/16 (40)	4-9/32 (109)	13 (330)	9-9/16 (243)	4-1/16 (103)	2-15/16 (75)
100	24-3/4 (629)	27 (686)	21 (533)	13-13/16 (351)	34-9/32 (871)	25-9/16 (649)	15-5/16 (389)	5-15/16 (151)	8-29/32 (226)	3-11/32 (85)	17-3/8 (441)	1-9/16 (40)	4-9/32 (109)	13 (330)	9-9/16 (243)	5-15/32 (139)	2-15/16 (75)
125	24-3/4 (629)	27 (686)	21 (533)	13-13/16 (351)	34-9/32 (871)	25-9/16 (649)	15-5/16 (389)	5-15/16 (151)	8-29/32 (226)	3-11/32 (85)	17-3/8 (441)	1-9/16 (40)	4-9/32 (109)	13 (330)	9-9/16 (243)	5-15/32 (139)	2-15/16 (75)
150, 175, 200	20-1/8 (511)	38-3/16 (970)	16 (406)	23 (584)	48-7/16 (1230)	40 (1016)	9-5/8 (244)	8-5/16 (211)	5-3/8 (137)	6-1/2 (165)	25-11/16 (652)	1-13/32 (36)	8-1/8 (206)	22-3/16 (564)	16-3/8 (416)	5-1/2 (140)	4-1/4 (108)
225, 250	26-1/8 (664)	38-3/16 (970)	22 (559)	23 (584)	48-7/16 (1230)	40 (1016)	13-1/16 (332)	8-5/16 (211)	9 (229)	6-1/2 (165)	25-11/16 (652)	1-13/32 (36)	8-1/8 (206)	22-3/16 (564)	16-3/8 (416)	8-1/16 (205)	4-5/16 (110)
300, 350, 400	34-1/8 (867)	41 (1041)	30 (762)	23 (584)	48-29/32 (1243)	40 (1016)	17-1/16 (433)	8-1/2 (216)	11-13/16 (300)	7-5/16 (186)	27-11/16 (703)	1-13/32 (36)	8-1/8 (206)	22-3/16 (564)	16-1/4 (413)	11-9/16 (294)	4-1/2 (114)

Clearances

Units must be installed so that the clearances listed in [Table 6](#) are provided for with regards to combustion air space, inspection, and service and for proper spacing from combustible construction. Clearance to combustibles is defined as the minimum distance from the heater to a surface or object for which it is necessary to ensure that a surface temperature of 90°F (50°C) above the surrounding ambient temperature is not exceeded. Refer to the dimensions listed in [Table 4](#) and [Table 5](#) and shown in [Figure 2](#) and [Figure 3](#) when determining clearances to combustibles.

Table 6. Clearances to Combustibles		
Heater Surface	Unit Size	
	030–125	150–400
	Minimum Clearance (Inches (mm))	
Top	1 (25)	4 (102)
Flue connector	6 (152)	6 (152)
Access panel	18 (457)	18 (457)
Non-access side	1 (25)	2 (51)
Bottom*	1 (25)	1 (25)
Rear**	18 (457)	18 (457)

*Suspend the heater so that the bottom is a minimum of 5 feet (1.5 meters) above the floor.
 **Measure rear clearance from the fan motor.

Weights

⚠ WARNING ⚠

Check the supporting structure to be used to verify that it has sufficient load carrying capacity to support the weight of the unit. Suspend the heater only from the threaded nut retainers or with a manufacturer-provided kit. Do NOT suspend from the heater cabinet.

NOTE: For unit shipping weight, contact an authorized Factory Distributor.

Before suspending the heater, ensure that the supporting structure to be used has sufficient load-carrying capacity to support the weight (refer to [Table 7](#)) of the unit.

Model	Unit Size													
	030	045	060	075	100	125	150	175	200	225	250	300	350	400
	Pounds (kg)													
UBX	84 (38)	89 (40)	102 (46)	108 (49)	168 (76)	171 (78)	300 (136)	320 (145)	320 (145)	385 (175)	400 (181)	458 (208)	494 (224)	506 (230)
UBZ	85 (39)	90 (41)	103 (47)	109 (49)	169 (77)	172 (78)	301 (137)	321 (146)	321 (146)	386 (175)	401 (182)	459 (208)	495 (225)	507 (230)
UDX	57 (26)	62 (28)	71 (32)	76 (34)	101 (46)	106 (48)	178 (81)	193 (88)	193 (88)	211 (96)	223 (101)	277 (126)	303 (137)	316 (143)
UDZ	58 (26)	63 (29)	71 (32)	77 (35)	102 (46)	107 (49)	179 (81)	194 (88)	194 (88)	212 (96)	224 (102)	278 (126)	304 (138)	317 (144)

Combustion Air Requirements

⚠ WARNING ⚠

- Do not install a unit in a confined space without providing wall openings leading to and from the space.
- Unit heater models UBX and UDX are designed to take combustion air from the space in which the unit is installed and are not designed for connection to outside combustion air intake ducts. Connecting outside air ducts voids the warranty and could cause hazardous operation.

- For UBZ and UDZ models, refer to the combustion air requirements in the venting instructions listed in [Table 1](#).
- UBX and UDX models must be supplied with the air that enters into the combustion process and is then vented to the outdoors. Sufficient air must enter the equipment location to replace that which is exhausted through the heater vent system.
- In the past, the infiltration of outside air assumed in heat loss calculations (one air change per hour) was assumed to be sufficient. However, current construction methods, which use more insulation, vapor barriers, tighter fitting and gasketed doors and windows, weather-stripping, and/or mechanical exhaust fans, may now require the introduction of outside air through wall openings or ducts.
- Under all conditions, enough air must be provided to ensure there will not be a negative pressure condition within the equipment room or space.
- Requirements for combustion air and ventilation air depend upon whether the unit is located in a confined or unconfined space. A **confined** space is defined as a space whose volume is <50 cubic feet per 1,000 BTU/h of the installed appliance input rating. An **unconfined** space is defined as a space whose volume is ≥50 cubic feet per 1,000 BTU/h of the installed appliance input rating.
- For confined space installation of UBX and UDX models (including those with CV option), provide openings (depending on the combustion air source) near the floor and ceiling for ventilation and air for combustion, as shown in [Figure 4](#) and as listed in [Table 8](#).

NOTE: For further details on supplying combustion air to a confined space, refer to the National Fuel Gas Code ANSI Z223.1a (latest edition).

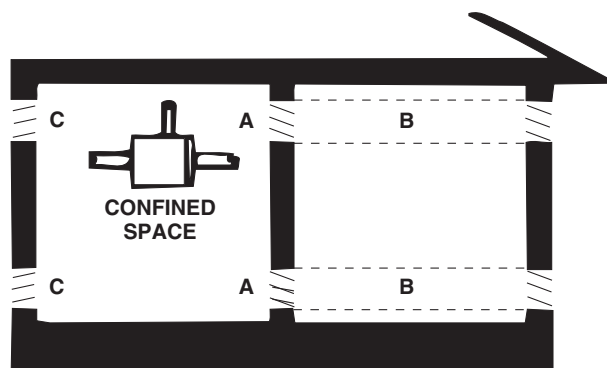


Figure 4. Confined Space Combustion Air Openings (Refer to [Table 8](#))

GENERAL INFORMATION—CONTINUED

Combustion Air Requirements—Continued

Letter*	Air Source	Required Opening Size	Calculate Combustion Air Requirements
A	Air inside building	1 square inch free area per 1000 BTUh	Add total BTUh of all appliances in confined space and divide by figures at left for square inch free area size of each (top and bottom) opening
		Never <100 square inches free area for each opening	
B	Outside air through duct	1 square inch free area per 2000 BTUh	
C	Direct outside air	1 square inch free area per 4000 BTUh	

*See [Figure 4](#).

Acoustical Considerations

Refer to sound level data listed in [Technical Data](#) section when determining unit location based on acoustical considerations.

Technical Data

[Table 9](#), [Table 10](#), [Table 11](#), and [Table 12](#) list unit technical data.

Parameter	Unit Size					
	030	045	060	075	100	125
Input heating capacity (BTUh)	30,000	45,000	60,000	75,000	105,000	120,000
Input heating capacity (kW)	8.8	13.2	17.6	22.0	30.8	35.2
Thermal efficiency (%)	82		82		83	
Output heating capacity (BTUh) ¹	24,600	36,900	49,200	61,500	87,150	99,600
Output heating capacity (kW) ¹	7.2	10.8	14.4	18.0	25.6	29.2
Gas connection, natural (inches) ²	1/2		1/2		1/2	
Gas connection, propane (inches) ²	1/2		1/2		1/2	
Vent connection diameter (inches) ³	4		4		4	
Combustion air inlet diameter, UBZ models (inches) ³	4		4		4	
Control, 24V (amps)	1.0		1.0		1.0	
Full load amps, 115V, UBX models (amps)	3.7		7.1		13.0	
Full load amps, 115V, UBZ models (amps)	3.7		7.1	7.3	13.2	
Maximum overcurrent protection, 115V (amps) ⁴	15		15		30	
Discharge air temperature rise, minimum/maximum (°F)	45/75		45/75		45/75	
Minimum air volume (cfm)	304	456	607	759	1076	1230
Minimum air volume (meters/minute) ³	8.6	12.9	17.2	21.5	30.5	34.8
Maximum air volume (cfm)	506	759	1012	1265	1793	2049
Maximum air volume (meters/minute) ³	14.3	21.5	28.7	35.8	50.8	58.0
Discharge air opening area (feet) ²	0.96		1.25		2.01	
Discharge air opening area (meters) ²	0.09		0.12		0.19	
Minimum output velocity (fpm)	316	475	486	607	535	612
Minimum output velocity (meters/minute)	96	143	143	179	160	183
Maximum output velocity (fpm)	527	791	810	1012	892	1020
Maximum output velocity (meters/minute)	159	239	239	299	267	305
Standard blower motor size (horsepower)	1/6		1/3		3/4	
Blower fan size (inches)	9 × 6		9 × 6		10 × 10	
Sound level @ 15 feet (dBA)	40		40	49	54	55

¹CSA ratings for elevations up to 2,000 feet.

²Size shown is for gas connection to a single-stage gas valve—not supply line size.

³Smaller and/or larger vent and combustion air pipe diameters may be permissible. Refer to appropriate venting instructions listed in [Table 1](#).

⁴MOCP = 2.25 × (largest motor FLA) + smallest motor FLA. Answer is rounded to the next lower standard circuit breaker size.

Table 10. Technical Data for UBX and UBZ Models (Unit Sizes 150–400)

Parameter	Unit Size							
	150	175	200	225	250	300	350	400
Input heating capacity (BTUh)	150,000	175,000	200,000	225,000	250,000	300,000	350,000	400,000
Input heating capacity (kW)	43.9	51.2	58.6	65.9	73.2	87.8	102.5	117.1
Thermal efficiency (%)	83		83		83		83	82
Output heating capacity (BTUh) ¹	124,500	145,250	166,000	186,750	207,500	249,000	290,500	328,000
Output heating capacity (kW) ¹	36.4	42.5	48.6	54.7	60.8	72.9	85.1	96.0
Gas connection, natural (inches) ²	1/2		1/2	3/4	3/4		3/4	
Gas connection, propane (inches) ²	1/2		1/2	3/4	3/4		3/4	
Vent connection diameter (inches) ³	5		5		5	6	6	
Combustion air inlet diameter, UBZ models (inches) ³	6		6		6		6	
Control amps, 24V (amps)	1.0		1.0		1.0		1.0	
Full load amps, 115V, UBX models (amps)	5.9	9.6	10.5	12.7	12.7	17.7	27.3	
Full load amps, 115V, UBZ models (amps)	5.9	6.3	10.5	12.7	12.7	17.7	27.3	
Maximum overcurrent protection, 115V, UBX models (amps) ⁴	15	20	25	30	30	40	60	
Maximum overcurrent protection, 115V, UBZ models (amps) ⁴	15		25	30	30	40	60	
Discharge air temperature rise, minimum/maximum (°F)	45/75		45/75		45/75		45/75	50/80
Minimum air volume (cfm)	1537	1793	2049	2306	2562	3074	3586	4100
Minimum air volume (meters/minute) ³	43.5	50.8	58.0	65.3	72.5	87.0	101.5	116.1
Maximum air volume (cfm)	2562	2989	3416	3843	4270	5123	5977	6185
Maximum air volume (meters/minute) ³	72.5	84.6	96.7	108.8	120.9	145.1	169.2	175.1
Discharge air opening area (feet) ²	2.56		2.56	3.51	3.51	4.79	4.79	
Discharge air opening area (meters) ²	0.24		0.24	0.33	0.33	0.45	0.45	
Minimum output velocity (fpm)	600	700	800	657	730	642	749	856
Minimum output velocity (meters/minute)	183	213	244	200	223	196	228	261
Maximum output velocity (fpm)	1001	1168	1334	1095	1217	1070	1248	1291
Maximum output velocity (meters/minute)	305	356	407	334	371	326	380	393
Standard blower motor size (horsepower)	1/4	1/2	1/2	3/4	3/4	1-1/2	2	
Blower fan size (inches)	12 × 12		12 × 12	15 × 11	15 × 11		15 × 15	
Sound level @ 15 feet (dBa)	51	52	53	56	56	59	61	62

¹CSA ratings for elevations up to 2,000 feet.

²Size shown is for gas connection to a single-stage gas valve—not supply line size.

³Smaller and/or larger vent and combustion air pipe diameters may be permissible. Refer to appropriate venting instructions listed in [Table 1](#).

⁴MOCP = 2.25 × (largest motor FLA) + smallest motor FLA. Answer is rounded to the next lower standard circuit breaker size.

GENERAL INFORMATION—CONTINUED

Acoustical Considerations—Continued

Table 11. Technical Data for UDX and UDZ Models (Unit Sizes 030–125)

Parameter	Unit Size					
	030	045	060	075	100	125
Input heating capacity (BTUh)	30,000	45,000	60,000	75,000	105,000	120,000
Input heating capacity (kW)	8.8	13.2	17.6	22.0	30.8	35.2
Thermal efficiency (%)	82	83	83		83	
Output heating capacity (BTUh) ¹	24,600	37,350	49,800	62,250	87,150	99,600
Output heating capacity (kW) ¹	7.2	10.9	14.6	18.2	25.5	29.2
Gas connection, natural (inches) ²	1/2		1/2		1/2	
Gas connection, propane (inches) ²	1/2		1/2		1/2	
Vent connection diameter (inches) ³	4		4		4	
Combustion air inlet diameter, UDZ models (inches) ³	4		4		4	
Control, 24V (amps)	1.0		1.0		1.0	
Full load amps, 115V (amps)	1.9	2.4	2.4	3.7	4.3	5.6
Maximum overcurrent protection, 115V (amps) ⁴	15		15		15	
Normal power consumption, UDX models (watts)	109	155	155	217	276	354
Normal power consumption, UDZ models (watts)	109	155	155	228	292	370
Discharge air temperature rise (°F)	50	55	60		60	
Air volume (cfm)	456	629	769	961	1345	1537
Air volume (meters/minute) ³	12.9	17.8	21.8	27.5	36.7	45.9
Discharge air opening area (feet) ²	0.96		1.25		2.01	
Discharge air opening area (meters) ²	0.09		0.12		0.19	
Output velocity (fpm)	475	656	616	770	668	763
Output velocity (meters/minute)	145	200	188	235	204	233
Open fan motor size (horsepower)	0.02	0.03	0.03	0.06	1/30	1/20
Enclosed fan motor size (horsepower)	0.06		0.06		1/4	
Fan motor speed (rpm)	1550		1550		1050	
Fan diameter (inches)	10		12		16	
Sound level @ 15 feet (dBa)	40		40	49	54	55
¹ CSA ratings for elevations up to 2,000 feet.						
² Size shown is for gas connection to a single-stage gas valve—not supply line size.						
³ Smaller and/or larger vent and combustion air pipe diameters may be permissible. Refer to appropriate venting instructions listed in Table 1 .						
⁴ MOCP = 2.25 × (largest motor FLA) + smallest motor FLA. Answer is rounded to the next lower standard circuit breaker size.						

Table 12. Technical Data for UDX and UDZ Models (Unit Sizes 150–400)

Parameter	Unit Size							
	150	175	200	225	250	300	350	400
Input heating capacity (BTUh)	150,000	175,000	200,000	225,000	250,000	300,000	350,000	400,000
Input heating capacity (kW)	44.0	51.3	58.6	65.9	73.3	87.9	102.6	117.2
Thermal efficiency (%)	83		83		83		83	
Output heating capacity (BTUh) ¹	124,500	145,250	166,000	186,750	207,500	249,000	290,500	332,000
Output heating capacity (kW) ¹	36.5	42.6	48.7	54.7	60.8	73.0	85.1	97.3
Gas connection, natural (inches) ²	1/2		1/2	3/4	3/4		3/4	
Gas connection, propane (inches) ²	1/2		1/2	3/4	3/4		3/4	
Vent connection diameter (inches) ³	5		5		5	6	6	
Combustion air inlet diameter, UDZ models (inches) ³	6		6		6		6	
Control amps, 24V (amps)	1.0		1.0		1.0		1.0	
Full load amps, 115V (amps)	3.8		4.6	7.5	7.5	11.0	11.0	
Maximum overcurrent protection, 115V (amps) ⁴	15		15		15	20	20	
Normal power consumption (watts)	392		491	747	747	1086	1086	
Discharge air temperature rise (°F)	60		60		60		60	
Air volume (cfm)	1921	2242	2562	2882	3202	3843	4483	5123
Air volume (meters/minute) ³	54.4	63.5	72.5	81.6	90.7	108.8	126.9	145.1
Discharge air opening area (feet) ²	2.56		2.56	3.51	3.51	4.79	4.79	
Discharge air opening area (meters) ²	0.24		0.24	0.33	0.33	0.45	0.45	
Output velocity (fpm)	752	877	1003	820	911	802	936	1069
Output velocity (meters/minute)	229	267	306	250	278	244	285	326
Open fan motor size (horsepower)	1/6		1/6	1/4	1/4	1/2	1/2	
Enclosed fan motor size (horsepower)	1/4		1/4		1/4	1/2	1/2	
Fan motor speed (rpm)	1050		1050		1050		1050	
Fan diameter (inches)	18		18	20	20	24	24	
Sound level @ 15 feet (dBa)	51	52	53	56	56	59	61	62

¹CSA ratings for elevations up to 2,000 feet.

²Size shown is for gas connection to a single-stage gas valve—not supply line size.

³Smaller and/or larger vent and combustion air pipe diameters may be permissible. Refer to appropriate venting instructions listed in [Table 1](#).

⁴MOCP = 2.25 × (largest motor FLA) + smallest motor FLA. Answer is rounded to the next lower standard circuit breaker size.

INSTALLATION

Unpacking and Inspection

- The unit was test-operated and inspected at the factory prior to crating and was in operating condition.
- It is important to note when uncrating the unit that shipping brackets are attached with cabinet screws. When removing shipping brackets, re-insert ALL screws into the cabinet.
- If, upon removing it from its crate, the unit has been found to have incurred any damage in shipment, document the damage with the transporting agency and contact an authorized Factory Distributor. If you are an authorized Distributor, follow the FOB freight policy procedures.

Pre-Installation Checklist

- Check the rating plate for the gas specifications and electrical characteristics of the heater to ensure that they are compatible with the gas and electric supplies at the installation site.
- Read this manual and become familiar with the installation requirements of your particular heater.
- If you do not have knowledge of local requirements, check with the local gas company or any other local agencies who might have requirements concerning this installation.
- Before beginning, make preparations for necessary supplies, tools, and manpower.
- Field-removal of heat exchanger tube support—unit sizes 030–125 (optional):** in some cases, the heat exchanger tubes may have shifted during shipment, causing vibration noise against the support during unit operation. The primary function of the heat exchanger tube support is to support the heat exchanger tubes during shipment. This support can be removed without affecting the operation of the unit. It is recommended that the support be removed prior to installing the unit as follows:
 - a. Remove discharge air louvers, taking care not to lose springs.
 - b. Remove and discard two screws that secure heat exchanger support located on top of unit.
 - c. Remove heat exchanger support through discharge opening and discard support.
- Reinstall discharge air louvers.
- Check to see if there are any field-installed options (refer to [Table 13](#)) that need to be assembled/installed prior to unit installation. Ensure that all options ordered are at the installation site. Instructions are in this manual or in the option package (option packages are shipped separately).

Table 13. Field-Installed Options

Name	Code	Description
Vent/combustion air inlet terminal kit	CC2	Vertical roof vent
	CC6	Horizontal through-wall vent
Vertical louvers	CD1	—
Downturn nozzle	CD2	25- to 65-degree variable air deflection range
	CD3	50- to 90-degree variable air deflection range
	CD4	25- to 65-degree variable air deflection range nozzle with vertical louvers
Manual shutoff valve	CE1	Natural gas or propane
Stepdown transformer	CG1	208V/115V
	CG2	230V/115V
	CG4	460V/115V
Hanger kit	CK8	Adapts 3/8-inch hangers for two-point suspension from 1-inch threaded pipe
	CK10	Adapts 3/8-inch hangers for four-point suspension from 1-inch threaded pipe
	CK22	Angle brackets for low ceiling mounting (does not include hanger rods)
High-elevation conversion kit	DJ20	For installations at elevations >6000 feet

Heater Suspension

⚠ WARNING ⚠

- Before suspending the heater, check the supporting structure to be used to verify that it has sufficient load-carrying capacity to support the weight (refer to [Weights](#) section) of the unit.
- The heater must be level for proper operation. DO NOT place or add additional weight to a suspended heater.

⚠ CAUTION ⚠

- Before lifting the heater, verify that any screws used for holding shipping brackets were re-installed in the cabinet.
 - Before lifting heater model UBZ or UDZ, any unused suspension points on the control side of the heater MUST be plugged.
 - When the heater is lifted for suspension, support the bottom of the heater with plywood or other appropriately placed material. If the bottom is not supported, damage could occur.
- The heater is designed to be suspended using four-point suspension. A 3/8-16 threaded nut retainer is located at each suspension point. The heater may be suspended using either 3/8-inch threaded rods or a hanger kit option package.
 - On heater models UBX and UDX, shipped-separate option packages—that should be installed before the heater is suspended—include vertical louvers, high-elevation kit, multiple heater control, sensor for DDC control, and/or stepdown transformer. Installation instructions for these option packages are included in the option package.
 - In the literature bag shipped with the heater, there are three capscrews (PN 203311) and sealing washers (PN 61658). On UBZ and UDZ models, these capscrews and washers must be used to seal any unused holes in the top of the heater (control side) after attaching the hanging hardware (see [Figure 5](#)).

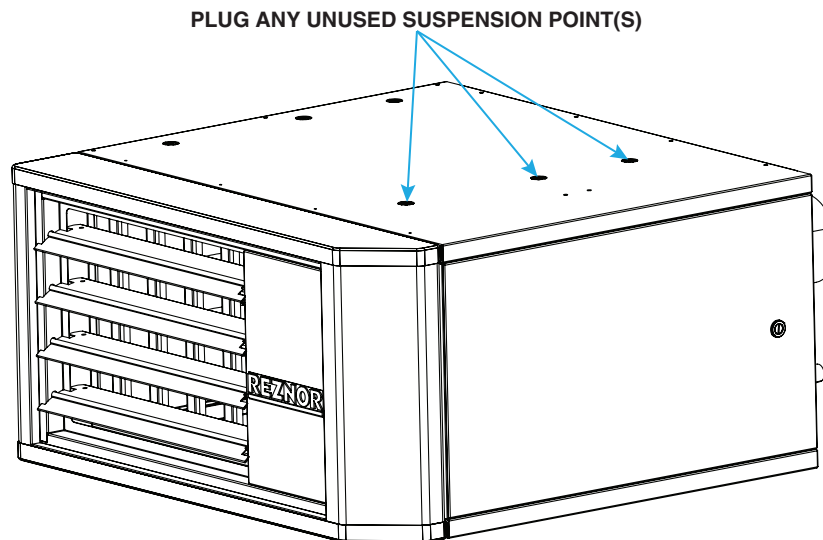


Figure 5. Plugging Unused Suspension Points (Models UBZ and UDZ Only)

INSTALLATION—CONTINUED

Heater Suspension—Continued

Suspension of Heater with Downturn Nozzle

Downturn nozzle kits (option CD2, CD3, CD4, or CD5) require four-point suspension. Follow the instructions provided with the kit for downturn nozzle installation.

Suspension of Heater Using CK10 Hanger Kit

Option CK10 (four-point suspension) is for suspending the heater using swivel connectors connected to 1-inch pipe. Attach the swivel connectors at the 3/8-16 threaded nut retainers. Ensure that the swivel connectors are locked to the heater as shown in [Figure 6](#).

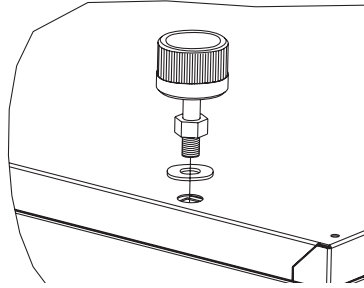


Figure 6. Option CK10 Hanger Kit

Suspension of Heater Using Option CK22 Hanger Kit

The ceiling suspension kit (option CK22, see [Figure 7](#)) allows the heater to be installed 1 inch from the ceiling without hanger rods. The ceiling suspension kit is used only on unit sizes 030–125 for UDX and UDZ models. Refer to the installation instructions provided with the kit.

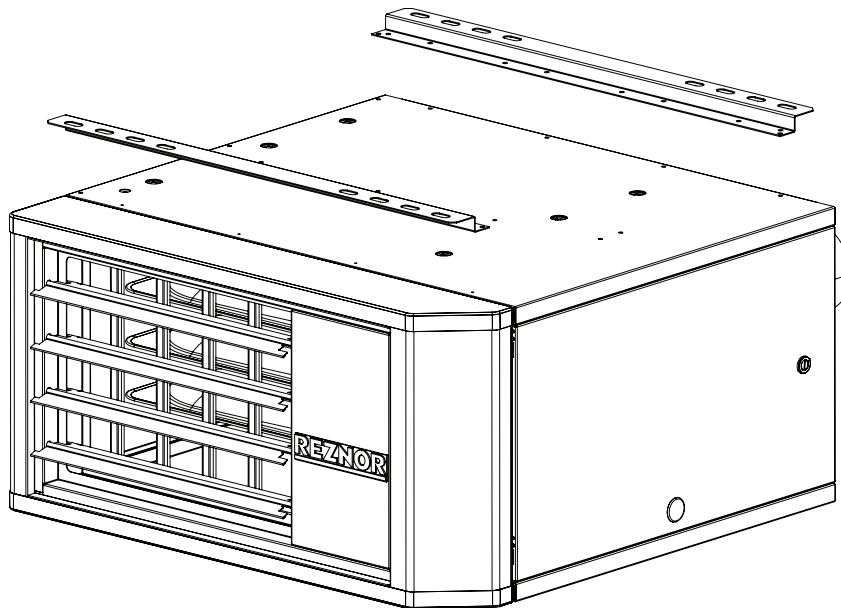


Figure 7. Option CK22 Hanger Kit

Heater Suspension Using Field-Supplied Threaded Rods

The heater may be suspended from 3/8-inch threaded rods using four-point suspension. The recommended maximum rod length is 6 feet (1.8 meters). The length of the threaded rod extending into the heater **MUST NOT** exceed 1/2 inch (13 mm). Ensure that the threaded rods are locked to the heater as shown in **Figure 8**.

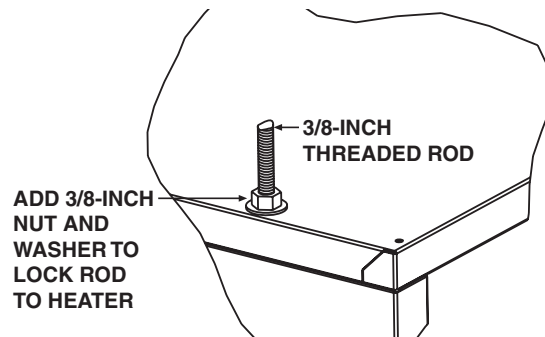


Figure 8. Heater Suspension Using Field-Supplied Threaded Rods

Piping Connections

Gas Supply Pressure

The unit is equipped for a maximum gas supply pressure of 1/2 psi, 3.5 kPa, or 14 IN WC.

NOTES:

Supply pressure higher than 1/2 psi requires the installation of an additional service regulator external to the unit.

PRESSURE TESTING SUPPLY PIPING

- Test pressures *above* 1/2 psi—disconnect the heater and manual valve from the gas supply line to be tested. Cap or plug the supply line.
 - Test pressures *below* 1/2 psi—before testing, close the manual valve on the heater.
-

Gas Supply Piping

⚠ DANGER ⚠

- All components of a gas supply system must be leak tested prior to placing equipment in service. **NEVER TEST FOR LEAKS WITH AN OPEN FLAME.** Failure to comply could result in personal injury, property damage, or death.
 - Pipe joint compounds (pipe dope) shall be resistant to the action of liquefied petroleum gas or any other chemical constituents of the gas being supplied.
-

- All piping must be in accordance with requirements outlined in the National Fuel Gas Code ANSI/Z223.1 (latest edition) or CSA-B149.1 and B149.2 (refer to **Unit Location** section).
- Gas supply piping installation shall conform with good practice and with local codes.
- Support gas piping with pipe hangers, metal strapping, or other suitable material. Do not rely on the heater to support the gas pipe.
- The heater is orificed for operation with natural gas having a heating value of 1,050 (±50) BTU per cubic foot or with propane gas having a heating value of 2,550 (±100) BTU per cubic foot. Sizing of gas supply lines depends on piping capacity and is based on cubic feet per hour based on a 0.3 IN WC pressure drop, a 0.6 specific gravity for natural gas at 1,050 BTU per cubic feet, and a 1.6 specific gravity for propane at 2,550 BTU per cubic feet. If the gas at the installation does not meet this specification, consult the factory for proper orificing.
- Variables for sizing gas supply lines are listed in **Table 14**. When sizing supply lines, consider possibilities of future expansion and increased requirements. Refer to National Fuel Gas Code for additional information on line sizing.

INSTALLATION—CONTINUED

Piping Connections—Continued

Gas Supply Piping—Continued

Table 14. Gas Supply Line Sizes												
Length of Pipe (Feet)	Diameter of Pipe (Inches)											
	1/2		3/4		1		1-1/4		1-1/2		2	
	Natural Gas	Propane	Natural Gas	Propane	Natural Gas	Propane	Natural Gas	Propane	Natural Gas	Propane	Natural Gas	Propane
Cubic Feet per Hour												
20	92	56	190	116	350	214	730	445	1100	671	2100	1281
30	73	45	152	93	285	174	590	360	890	543	1650	1007
40	63	38	130	79	245	149	500	305	760	464	1450	885
50	56	34	115	70	215	131	440	268	670	409	1270	775
60	50	31	105	64	195	119	400	244	610	372	1105	674
70	46	28	96	59	180	110	370	226	560	342	1050	641
80	43	26	90	55	170	104	350	214	530	323	990	604
90	40	24	84	51	160	98	320	195	490	299	930	567
100	38	23	79	48	150	92	305	186	460	281	870	531
125	34	21	72	44	130	79	275	168	410	250	780	476
150	31	19	64	39	120	73	250	153	380	232	710	433
175	28	17	59	36	110	67	225	137	350	214	650	397
200	26	16	55	34	100	61	210	128	320	195	610	372

Supply Piping Connections

- Install a ground joint union and manual shutoff valve upstream of the unit control system, as shown in **Figure 9**.
- The 1/8-inch plugged tapping in the manual shutoff valve in **Figure 9** provides connection for a supply line pressure test gauge.
- The National Fuel Gas Code requires the installation of a trap with a minimum 3-inch drip leg (see **Figure 9**). Local codes may require a drip leg longer than 3 inches (typically 6 inches). To permit burner removal, this drip leg must extend beyond the edge of the heater.
- Leak-test all connections by brushing on a leak-detecting solution. Bleed trapped air from gas lines as needed.
- The gas connection is made at the pipe nipple that extends outside the cabinet, as shown in **Figure 9**. Gas connection sizes are listed in **Table 15**.

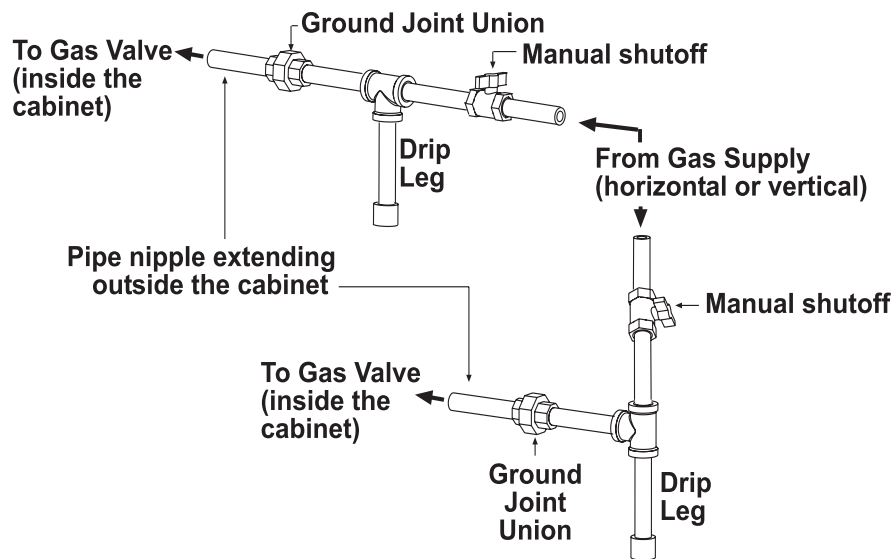


Figure 9. Gas Connections

Unit Size	Natural Gas	Propane
	Connection (Inches)*	
030–200	1/2	1/2
225–400	3/4	3/4

*Connection size for a standard unit (not gas supply line size).

Electrical Connections

⚠ CAUTION ⚠

- **Route wires so that they do not contact the flue wrapper or venter housing.**
- **If any of the original wire supplied with the appliance must be replaced, it must be replaced with wiring material having a temperature rating of at least 105°C, except for limit control, flame rollout, and sensor lead wires which must be rated at 150°C.**

NOTES:

- **Ensure that all wiring is in accordance with the wiring diagram provided with the unit.**
- **A two-stage valve circuit is NOT available on all models.**
- All electrical wiring and connections, including electrical grounding MUST be made in accordance with the National Electric Code ANSI/NFPA No. 70 (latest edition) or, in Canada, with CSA Standard C22.1. In addition, the installer should be aware of any local ordinances or gas company requirements that might apply.
- Check the rating plate on the heater for the supply voltage and current requirements. A dedicated line voltage supply with a disconnect switch should be run directly from the main electrical panel to the heater.
- All external wiring must be within approved conduit and have a minimum temperature rise rating of 60°C. Conduit must be run so as not to interfere with the heater access panel.
- If the installation requires a stepdown transformer (option CG on some models), follow the instructions shipped with the option package for installing the transformer.
- The supply wiring enters at the rear of the heater, as shown in [Figure 10](#). For UBX and UDX models, the supply wiring connects directly to leads on the integrated circuit board. For UBZ and UDZ models, the supply wiring connects to leads located inside a sealed electrical box. To maintain the sealing feature of the electrical box, always replace the cover plate.
- The terminal strip for 24V control connections is located on the outside of the cabinet at the back of the heater, as shown in [Figure 10](#). Wires from the terminal strip are factory-wired to the circuit board.
- UDZ and UBZ units have a built-in disconnect switch (20A@115V or 10A@230V rating), as shown in [Figure 10](#).

INSTALLATION—CONTINUED

Electrical Connections—Continued

NOTE: The size of heater illustrated has a vertical terminal strip. Some sizes have a horizontal terminal strip.

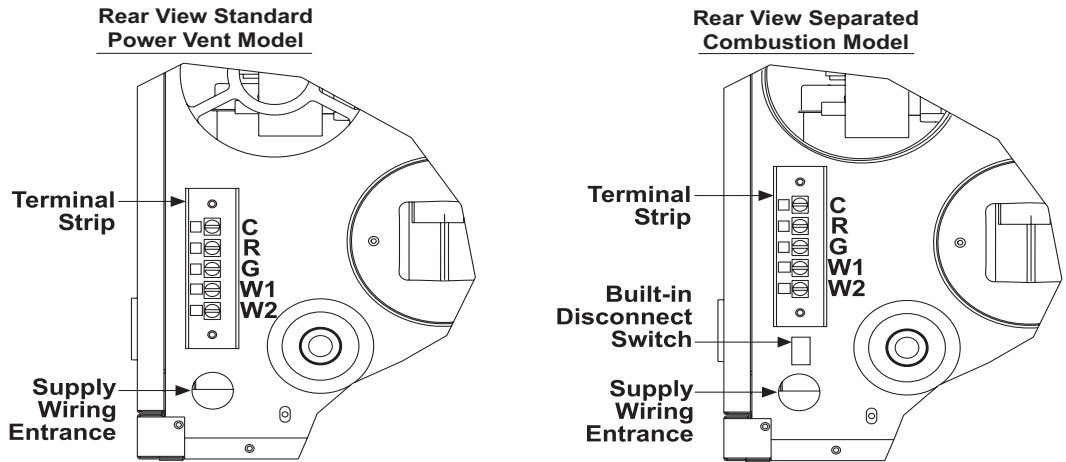


Figure 10. Supply Wiring Entrance and Control Connection Terminal Strip

- The circuit board (see Figure 11) is located inside on the bottom of the control compartment. The circuit board is polarity sensitive. It is advisable to check the electrical supply ensure that the black wire is the **hot** wire and that the white wire is the **neutral** wire. The **hot** wire must be connected to terminal L1 on the circuit board.

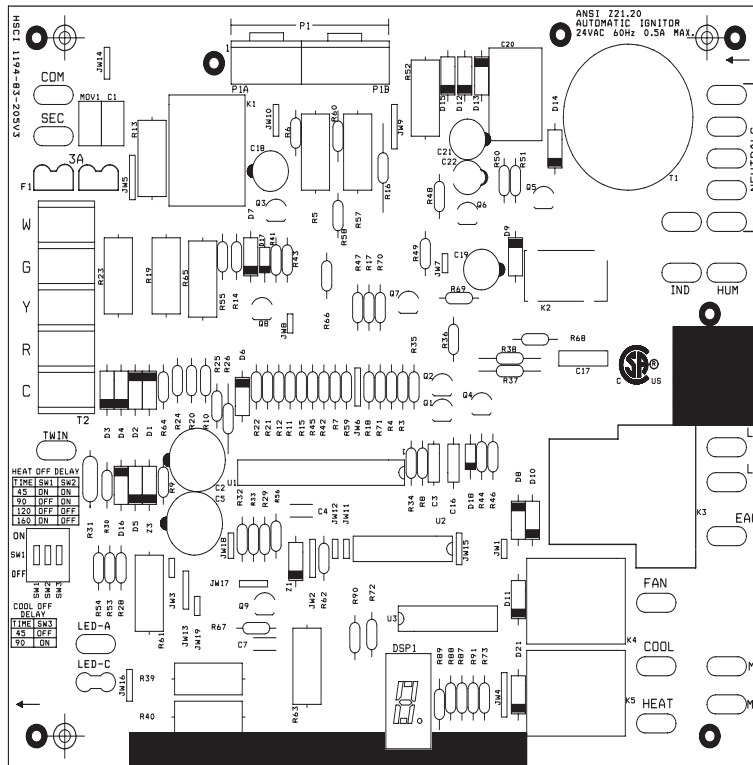


Figure 11. Circuit Board (DSI Control Module)

CONTROLS

NOTE: Refer to the **TROUBLESHOOTING** section for probable causes and reset instructions for the following controls.

Locations for the following controls are shown in **Figure 12**.

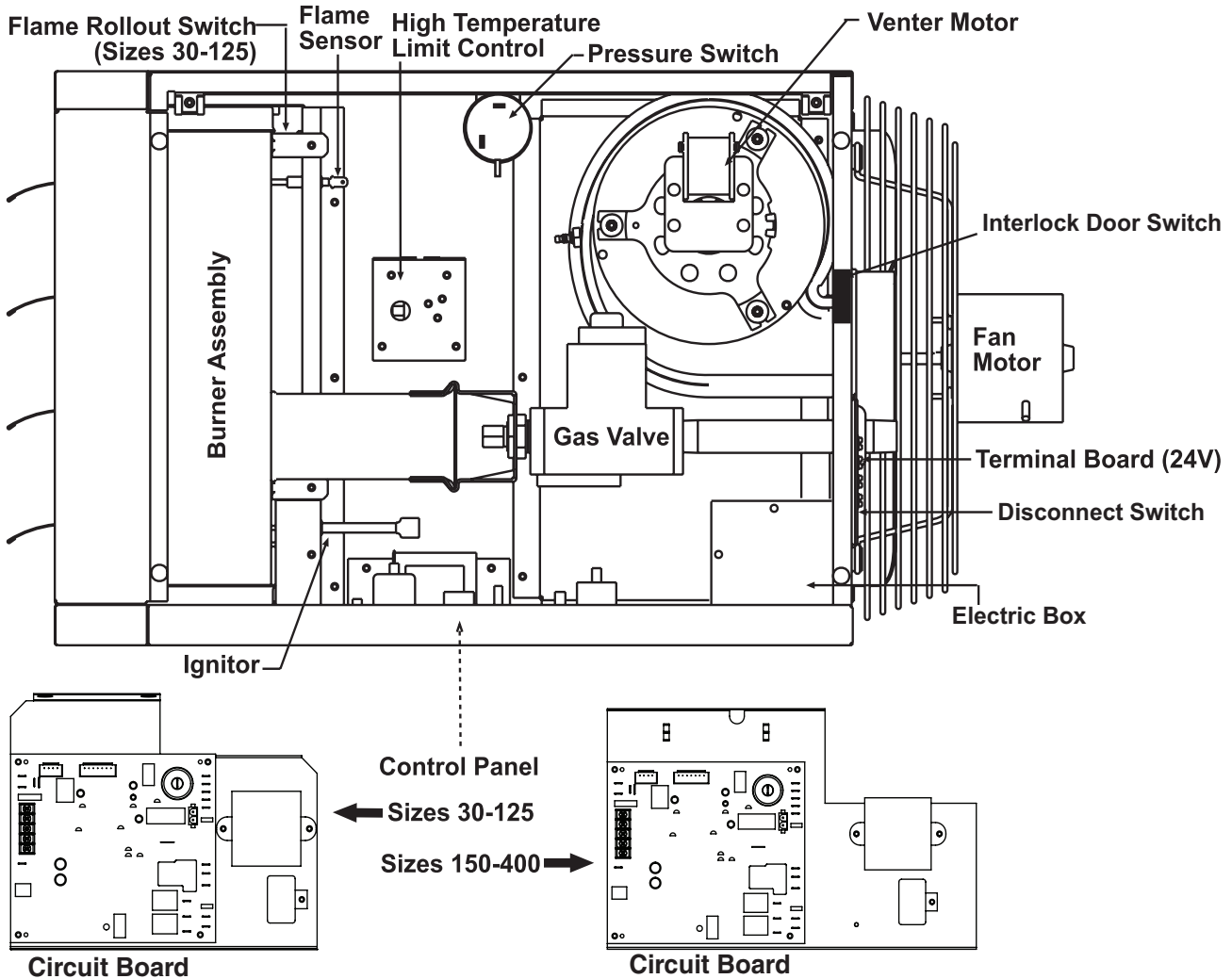


Figure 12. Component Locations (Typical)

Pressure Switch

⚠ DANGER ⚠

Safe operation of this unit requires proper venting flow. NEVER bypass the pressure switch or attempt to operate the unit without the venter running and the proper flow in the vent system. Hazardous conditions could result.

- The pressure (combustion air proving) switch (see **Figure 12** for location) is a pressure-sensitive switch that monitors air pressure to ensure that proper combustion airflow is available.
- On UBX and UDX models, the pressure switch is a single-pole/normally-open device that closes when a negative pressure is sensed in the venter housing. On UDZ and UDZ models, the pressure switch senses the differential pressure between the negative pressure in the venter housing and the pressure in the cabinet.
- At startup when the heater is cold, the sensing pressure is at the most negative level, and as the heater and flue system warm up, the sensing pressure becomes less negative. After the system has reached equilibrium (about 20 minutes), the sensing pressure levels off.

CONTROLS—CONTINUED

Pressure Switch—Continued

- If a restriction or excessive flue length/turns cause the sensing pressure to be outside the pressure switch setpoint, the switch will function to shut off the main burner. The main burner will remain off until the system has cooled and/or the flue system resistance is reduced.
- Pressure switch settings are listed in [Table 16](#).

Table 16. Pressure Switch Settings					
UBX and UDX Models					
Unit Size	Negative Pressure (IN WC)				Label Color
	Startup Cold	Equilibrium Hot	Setpoint OFF	Setpoint ON	
030	1.20	0.90	0.30	0.45	Orange
045 (UBX)	1.00	0.80	0.25	0.40	Red
045 (UDX)	1.00	0.80	0.40	0.55	Green
060	0.90	0.80	0.35	0.50	Purple
075	0.80	0.70	0.45	0.60	Pink
100	0.90	0.70	0.50	0.65	Orange
125	1.40	1.00	0.70	0.85	Wine
150	0.70	0.60	0.35	0.50	Purple
175	0.80	0.70	0.40	0.55	Green
200, 225	2.30	1.60	1.10	1.30	Blue
250	2.70	1.80	1.10	1.30	Blue
300	2.50	1.90	1.10	1.30	Blue
350, 400	2.10	1.60	1.10	1.30	Blue
UBZ and UDZ Models					
Unit Size	Differential Pressure (IN WC)				Label Color
	Startup Cold	Equilibrium Hot	Setpoint OFF	Setpoint ON	
030 (UBZ)	1.20	0.90	0.30	0.45	Orange
030 (UDZ)	1.20	0.90	0.40	0.55	Green
045 (UBZ)	1.00	0.80	0.35	0.50	Purple
045 (UDZ)	1.00	0.80	0.40	0.55	Green
060	1.20	0.80	0.35	0.50	Purple
075	1.00	0.80	0.45	0.60	Pink
100	0.90	0.80	0.50	0.65	Orange
125 (UBZ)	1.30	1.00	0.70	0.85	Wine
125 (UDZ)	1.30	1.00	0.80	0.95	Gray
150	0.70	0.55	0.35	0.50	Purple
175	0.75	0.65	0.40	0.55	Green
200	2.60	1.80	1.10	1.30	Blue
225	2.50	1.60	1.10	1.30	Blue
250	2.60	1.80	1.10	1.30	Blue
300 (UBZ)	2.70	1.85	1.10	1.30	Blue
300 (UDZ)	2.70	1.85	1.30	1.50	White
350	2.25	1.80	1.50	1.70	Yellow
400	2.10	1.60	1.30	1.50	White

High Temperature Limit Control

⚠ WARNING ⚠

The automatic-reset high temperature limit control will continue to shut down the heater until the cause is corrected. Never bypass this control as hazardous conditions could result.

All units are equipped with a temperature-activated, automatic-reset high temperature limit control (see [Figure 12](#) for location). The control is factory-set and is non-adjustable. If the setpoint is reached, the control interrupts the electric supply to the gas valve. This safety device provides protection in the case of motor failure or lack of airflow due to a restriction at the inlet or outlet.

Flame Rollout Switch (UDX and UDZ Model Unit Sizes 030–125)

⚠ DANGER ⚠

If the manual-reset flame rollout switch activates, identify and correct the cause before resetting the switch. Never bypass the flame rollout switch; hazardous conditions could result.

Unit sizes 030–125 of UDX and UDZ models are equipped with a temperature-activated, manually-reset flame rollout switch (see [Figure 12](#) for location). The flame rollout switch is located at the top of the burner assembly. The switch is factory-set and is non-adjustable. If the setpoint is reached, the switch interrupts the electric supply to the gas valve. If the flame rollout switch activates, identify and correct the cause before resetting the switch.

Interlock Door Switch (UBZ and UDZ Models)

All unit sizes of UBZ and UDZ models are equipped with an interlock door switch (see [Figure 12](#) for location) that prevents the heater from operating when the service door panel is open. The service panel is equipped with a pliable gasket that fully seals the door to provide added protection to prevent building air from entering the combustion zone of the heater.

Combination Gas Valve

⚠ WARNING ⚠

The combination gas valve is the prime safety shutoff. All gas supply lines must be free of dirt or scale before connecting the unit to ensure positive closure.

The combination gas valve (see [Figure 12](#) for location) is powered by the 24V control circuit through the thermostat and safety controls. The diaphragm-type valve is pre-set at the factory and provides regulated gas flow.

Fan Motor

The fan motor is equipped with automatic-reset thermal overload protection. If the motor does not run, the cause may be due to improper current. Ensure that the correct voltage is available at the motor.

NOTE: If the unit is equipped with an optional, totally-enclosed motor or optional voltage, the motor's horsepower may be greater than the standard motor. Refer to the motor nameplate to verify its horsepower.

Venter Motor

The venter motor (see [Figure 12](#) for location) is assembled to the venter wheel and operates to provide combustion airflow. Operation is controlled by the circuit board (see [Figure 11](#)). Refer to the [Circuit Board \(DSI Control Module\)](#) section for details.

CONTROLS—CONTINUED

Thermostat Options

NOTES:

- **IMPORTANT:** all units **MUST** be operated by a 24V thermostat. Never use a line voltage disconnect switch as a means of operating the heater.
 - The operation of unit sizes 030–125 by means other than by a 24V thermostat may result in the flame rollout switch tripping.
 - For all available thermostat and thermostat accessory options, contact contact an authorized Factory Distributor.
-
- Install an optional thermostat (available with the heater) or a field-supplied 24V thermostat in accordance with the thermostat manufacturer's instructions. Pay particular attention to the requirements regarding the location of the thermostat.
 - Ensure that if there is a heat anticipator setting on the thermostat, it is set at 0.6 amps or in accordance with the amperage value noted on the heater wiring diagram.
 - Make thermostat connections at the terminal strip on the back of the heater (see [Figure 10](#)). The strip has five terminals: C, R, G, W1, and W2. Refer to the wiring diagram provided with the heater.
 - If the heater was ordered with a multiple heater control option, one thermostat can be used to control up to six heaters. This option includes a 40VA transformer that replaces the standard transformer in the control unit and a relay assembly that attaches to the additional unit. Option CL31 provides for control of two heaters. If control of additional heaters is desired (up to six total), option CL32, which is the relay assembly only, must be added to each additional heater. The option packages are shipped separately and include complete instructions on installation and wiring.

Circuit Board (DSI Control Module)

The heater's ignition system is controlled by a circuit board (Direct-Spark Integrated (DSI) control module, see [Figure 11](#)) that monitors the safety devices and controls the operation of the fan and venter motors and the gas valve between heat cycles. The module's seven-segment display is visible through a viewport on UBZ and UDZ models. To view the seven-segment display on UBX and UDX models, the door panel requires removal. In addition, there is a status LED on the bottom of the heater. Its status indications are **off** (heater is not powered or control board fault), **steady on** (heater is on with no faults), or **flashing** (heater is on with fault(s)). Additional status indications appear on the display at the bottom of the control module (labeled as DSP1, see [Figure 11](#)). The display's codes are listed and described in the [Unit Troubleshooting Using DSI Control Module](#) section.

OPERATION

⚠ DANGER ⚠

- For your safety, read before operating. If you do not follow these instructions exactly, a fire or explosion may result, causing property damage, personal injury, or loss of life.
- This appliance does not have a pilot. It is equipped with an ignition device which automatically lights the burner. Do not try to light the burner by hand.
- Before operating, smell all around the appliance area for gas. Be sure to smell next to the floor because some gas is heavier than air and will settle on the floor.
- **WHAT TO DO IF YOU SMELL GAS:**
 - Do not try to light any appliance.
 - Do not touch any electrical switch; do not use any phone in your building.
 - Leave the building immediately.
 - Immediately call your gas supplier from a phone remote from the building. Follow the gas supplier's instructions.
 - If you cannot reach your gas supplier, call your fire department.
- Use only your hand to turn the gas control ON/OFF knob on the gas valve. Never use tools. If the valve ON/OFF knob will not turn by hand, do not try to repair it. Call a qualified service technician. Force or attempted repair may result in a fire or explosion.
- Should overheating occur, or the gas supply control system fail to shut off the flow of gas, turn off the manual gas valve to the appliance before shutting off the electrical supply.
- Do not use this appliance if any part has been under water. Immediately call a qualified service technician to inspect the appliance and to replace any part of the control system and any gas control which has been under water.
- All components of a gas supply system must be leak tested prior to placing equipment in service. **NEVER TEST FOR LEAKS WITH AN OPEN FLAME.** Failure to comply could result in personal injury, property damage, or death.

Pre-Startup Checklist

Check the following *before* startup:

- Check to ensure that all screws used to secure shipping brackets have been re-installed in heater cabinet
- Check suspension—unit must be secure and level
- Check to ensure that clearances from combustibles are in accordance with [Table 6](#)
- Check vent system to ensure that it is installed in accordance with appropriate venting instructions listed in [Table 1](#)
- Check piping for leaks and proper gas line pressure and bleed trapped air from gas lines (refer to [Supply Piping Connections](#) section)
- Check electrical wiring—ensure that all wire gauges are as recommended—service disconnect switch should be used—verify that fusing or circuit breakers are adequate for load use
- Check polarity—verify that line voltage exists between black L1 wire and earth ground
- If installation elevation is >6,000 feet (>1,830 meters), replace pressure switch in accordance with [Pressure Switch Replacement](#) section

Startup

Startup the heater as follows:

1. Set thermostat at lowest setting.
2. Turn OFF all electric power to appliance.

NOTE: This appliance is equipped with an ignition device that automatically lights the burner. Do not try to light the burner by hand.

OPERATION—CONTINUED

Startup—Continued

- Open access door and locate gas control (ON/OFF) knob or switch on gas valve (see [Figure 13](#)).

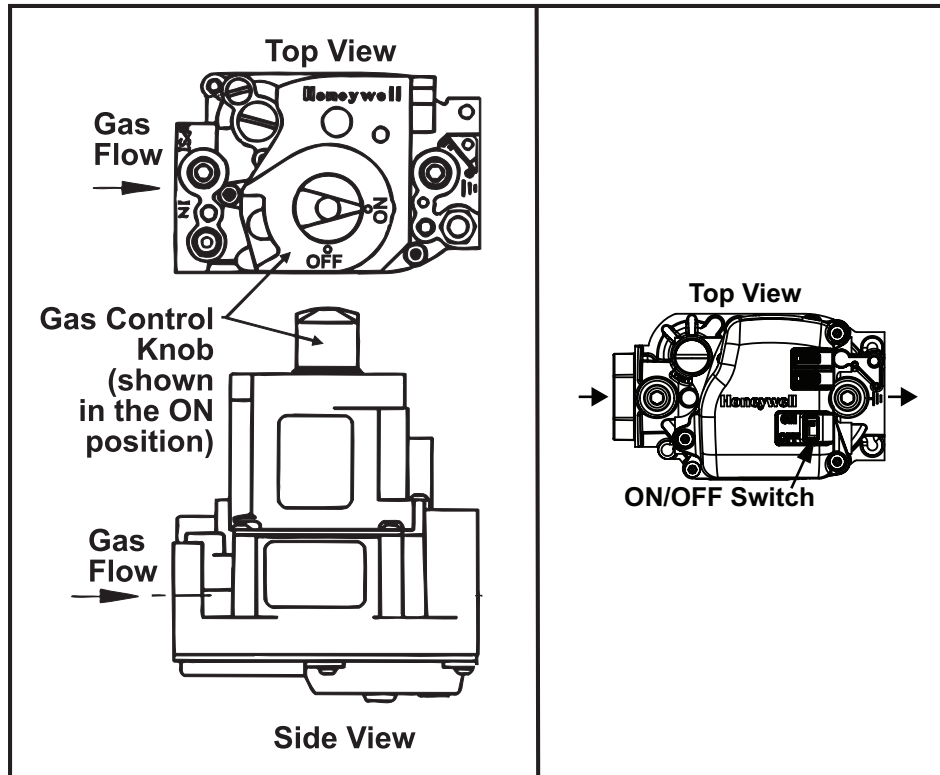


Figure 13. Gas Valve ON/OFF Control

- Turn gas control switch to OFF or turn knob clockwise to OFF.
- Wait 5 minutes to clear out any gas and then smell for gas (including near floor).
 - If you smell gas, STOP! and follow steps in DANGER message listed above or on heater operating label.
 - If you do not smell gas, proceed to step 6.
- Turn gas control switch to ON or turn knob counterclockwise to ON.
- Close access door.
- Turn ON electric power to heater.
- Set thermostat to desired setting.
 - If heater does not operate, follow instructions in step 13 or on heater operating label and call your service technician.
 - If heater operates, thermostat calls for heat, which energizes venter motor.
- Pressure switch closes, which fires unit.
- Burner flame is sensed and in 30 seconds after gas valve is energized, fan motor is energized.
- If flame is extinguished during main burner operation, integrated control system closes main valve and must be reset by interrupting power to control circuit (refer to lighting instructions provided with heater).
- TO TURN OFF GAS TO APPLIANCE:**
 - Set thermostat to lowest setting.
 - If service is to be performed, turn off all electric power to appliance.
 - Open the access door.
 - Turn gas control switch to OFF or turn knob clockwise to OFF (do not force).
 - Close access door.

Operating Sequences

Table 17 describes the heater's normal operating sequence. **Table 18** describes the heater's abnormal heat cycle functions. **Table 19** describes the heater's fault modes. Refer to **Table 25** for LED indications.

Table 17. Operating Sequence (Normal Heat Cycle)		
Step	Condition	Action
1. Call for heat	Terminal W is energized	Thermostat calls for heat by energizing terminal W Control determines whether limit switch is open or closed and if pressure switch is open
	Limit switch is open	Control deenergizes gas valve, turns fan/blower motor onto heat speed, and runs venter motor
		SSD displays "5" Control is in soft lockout "L" before returning to normal operation
	Pressure switch is closed	SSD displays "4" Control waits indefinitely for pressure switch to open
		Pressure switch is open
2. Prepurge	Venter motor is energized	Control waits for pressure switch to close
	Pressure switch not closed within 30 seconds of venter motor energizing	SSD displays "3" Control maintains venter motor energized indefinitely as long as call for heat remains and pressure switch is open
		Pressure switch is proven closed
	Flame is present at any time during prepurge	Prepurge is restarted
	Flame is present long enough to cause lockout	Control runs venter motor and runs fan/blower motor on heat speed When flame is no longer sensed, venter motor runs through post-purge and fan/blower motor runs through selected delay OFF time
		Control proceeds to soft lockout but still responds to open limit and flame SSD displays "6" when lockout is due to undesired flame
		Venter motor runs for 20-second prepurge time
3. Ignition trial period	Spark and main gas valve are energized	The venter remains energized
	Flame is sensed during first 16 seconds	Control deenergizes spark and proceeds to heat fan/blower on delay
	Flame is not sensed during first 16 seconds	Control deenergizes spark and maintains gas valve energized for additional 1-second flame-proving period
	Flame is not present after flame-proving period	Control deenergizes gas valve and proceeds with ignition retries as specified in Table 18 : abnormal function Ignition Retry
4. Fan/blower ON delay	Flame is present after flame-proving period	Control proceeds to step 4
	30 seconds after gas valve has opened	Control energizes fan/blower motor
5. Steady heat	Gas valve and venter motor remain energized	Control proceeds to step 5
	Limit switch is closed	Control continuously monitors inputs
	Pressure switch is closed	
	Flame is established	
	Thermostat call for heat remains	Control deenergizes gas valve and proceeds to steps 6 and 7
Thermostat call for heat is removed		
6. Post-purge		Venter motor remains on for 45-second post-purge period
7. Fan/blower OFF delay	Thermostat is satisfied	Fan/blower motor is deenergized after selected fan/blower OFF delay

OPERATION—CONTINUED

Operating Sequences—Continued

Table 18. Operating Sequence (Abnormal Heat Cycle)		
Abnormal Function	Condition	Action
Interrupted thermostat call for heat	Thermostat demand for heat is removed before flame is recognized	Control runs venter motor for post-purge period
		All outputs are deenergized
	Thermostat demand for heat is removed after successful ignition	Control deenergizes gas valve
		Control runs venter motor through post-purge period Control runs fan/blower motor on heat speed for selected delay OFF time
Ignition retry	Flame is not established on first trial for ignition period	Control deenergizes gas valve
		Venter motor remains energized for 10-second inter-purge period
		Spark and gas valve are re-energized
		Control initiates another trial for ignition
	Flame is not established on second trial for ignition	Control deenergizes gas valve
		Control runs fan/blower motor on heat speed
		Venter motor remains energized
		Fan/blower motor deenergizes after selected delay OFF period and spark and gas valve are re-energized
	Flame is not established on third trial for ignition	Control initiates another trial for ignition (this fan delay is self-healing feature for open auxiliary limit switch)
		Control deenergizes gas valve
		Venter motor remains energized for 10-second inter-purge period
	Flame is not established on fourth trial for ignition (initial try plus three re-tries)	Spark and gas valve are re-energized
Control initiates another trial for ignition		
Control deenergizes gas valve and proceeds to lockout SSD displays "L" to indicate ignition failure lockout		
Limit switch*	Limit switch is open and call for heat is present	Control deenergizes gas valve
		Control runs venter motor and runs fan/blower motor on heat speed Control is in soft lockout (SSD displays "L") before returning to normal operation
	Limit switch re-closes or call for heat is not present	Control runs venter motor through post-purge period
		Control runs fan/blower motor on heat speed through selected delay OFF period
Pressure switch operation	Pressure switch opens before trial for ignition period	Venter motor runs through 2-second pressure switch recognition delay
		Control deenergizes gas valve
		Control runs venter motor through post-purge period
		Control restarts heat cycle at pressure switch proving state if call for heat still exists
	Pressure switch opens for less than 2 seconds during trial for ignition period (shall not interrupt heat cycle)	Control deenergizes gas valve while pressure switch is open
	Pressure switch opens after successful ignition	Control deenergizes gas valve
	Flame is lost before end of 2-second pressure switch recognition delay	Control responds to loss of flame
	Pressure switch remains open for 2 seconds and flame remains	Control deenergizes gas valve Control runs venter motor through post-purge period Control runs fan/blower motor on heat speed through selected delay OFF period When fan OFF delay ends, fan/blower motor is deenergized, and heat cycle begins if call for heat still exists
Continuous fan operation	Thermostat calls for continuous fan (G) without call for heat	Fan motor is energized after 0.25-second delay (this brief ON delay allows terminal G to energize slightly before terminal Y and allows external changeover relay to switch from terminal G to terminal W without causing momentary glitches in fan/blower output)
		Fan remains energized as long as call for fan remains without call for heat
	Thermostat calls for heat (W) during continuous fan operation	Fan/blower is deenergized
		Call for fan is ignored during lockout

*The limit switch is ignored unless a call for heat is present (terminal W energized).

Table 19. Fault Modes		
Fault Mode	Condition	Action
Undesired flame	Flame is sensed longer than 20 seconds while gas valve is deenergized	Control runs venter motor and runs fan/blower motor on heat speed
		When flame is no longer sensed, venter motor runs through post-purge and fan/blower motor runs through selected delay OFF time
		Control proceeds to soft lockout but still responds to open limit and flame
		SSD displays "6" when lockout is due to undesired flame
Gas valve relay fault	Control senses that gas valve is energized for more than 1 second when control is not attempting to energize gas valve or control senses that gas valve is not energized when it is supposed to be energized	Control proceeds to lockout (SSD is blank)
		Control assumes either that contacts of relay driving gas valve have welded shut or that sensing circuit has failed
	Venter motor is forced OFF to open pressure switch to stop gas flow unless flame is present	
Gas valve relay fault	Control senses that gas valve is closed when it should be open (has not deenergized after venter motor has been shut off for 15 seconds)	Venter motor is re-energized to vent unburned gas
	Soft lockout	Control does not initiate call for heat or call for continuous fan operation while in lockout
Lockout is automatically reset after 1 hour		
Lockout may be manually reset by removing power from control for more than 1 second or by removing thermostat call for heat for more than 1 but less than 20 seconds		
Hard lockout	Control detects fault on control board	SSD is blank or displays "L" (fault dependent)
		Control remains in lockout as long as fault remains
		Hard lockout automatically resets when hardware fault clears
Power interruption	Momentary interruption or voltage level is below minimum operating voltage (line voltage or low voltage)	System self-recovers without lockout when voltage returns to operating range
	Interruption <80 milliseconds	Control does not change operating state
	Interruption >80 milliseconds	Control may interrupt current operating cycle to restart

Vent System Testing

For each heater or utility heater connected to the venting system and placed in operation while any other appliance(s) connected to the venting system(s) is not in operation, test the vent system as follows:

1. Seal unused openings(s) in vent system.
2. Inspect vent system for proper size and horizontal pitch as required in National Flue Gas Code (ANSI Z223.1/NFPA 54) or Natural Gas and Propane Installation Code (CSA B149.1) and in venting instructions in [Table 1](#).
3. Verify that there is no blockage or restriction, leakage, corrosion, and/or other deficiencies that could cause any unsafe condition.
4. In so far as is practical, close all doors, windows, and other open spaces within building and all doors between space in which appliance(s) is connected and space where vent system is located.
5. Close any fireplace dampers.
6. Turn on clothes dryers and any exhaust fans (such as range hoods and bathroom exhausts) so that they operate at maximum speed. Do not operate a summer exhaust fan.
7. Following lighting instructions provided with heater, place heater being inspected in operation. Adjust thermostat so that heater will operate continuously.
8. After it has been determined that each heater connected to vent system properly vents when tested as outlined above, return doors, windows, exhaust fans, fireplace dampers, and any other gas-burning appliance to their previous condition of use.
9. If improper venting is observed during above tests, vent system must be corrected.

OPERATION—CONTINUED

Post-Startup Checklist

Check the following *after* startup:

- ❑ Ensure that vent system has been tested in accordance with [Vent System Testing](#) section
- ❑ With unit in operation, measure manifold (outlet) gas pressure in accordance with [Measure and Adjust Manifold \(Outlet\) Gas Pressure](#) section
- ❑ Turn unit OFF and ON, pausing 2 minutes between each cycle; observe for smooth ignition
- ❑ Place literature bag that contains Limited Warranty, this manual, venting instructions, and any control or optional information in accessible location near heater

⚠ DANGER ⚠

- **The gas burner in this gas-fired equipment is designed and equipped to provide safe controlled *complete combustion*. However, if the installation does not permit the burner to receive the proper supply of combustion air, complete combustion may not occur. The result is *incomplete combustion*, which produces carbon monoxide, a poisonous gas that can cause death. *Safe operation of indirect-fired gas burning equipment requires a properly operating vent system that vents all flue products to the outside atmosphere.* FAILURE TO PROVIDE PROPER VENTING WILL RESULT IN A HEALTH HAZARD THAT COULD CAUSE SERIOUS PERSONAL INJURY OR DEATH.**
- **Always comply with the combustion air requirements listed in the installation codes and in this manual. Combustion air at the burner should be regulated only by manufacturer-provided equipment. NEVER RESTRICT OR OTHERWISE ALTER THE SUPPLY OF COMBUSTION AIR TO ANY HEATER. Heater models UBX and UDX installed in a confined space must be supplied with air for combustion as required by code and the requirements listed in this manual. MAINTAIN THE VENT OR VENT/COMBUSTION AIR SYSTEM IN STRUCTURALLY SOUND AND PROPER OPERATING CONDITION.**

ADJUSTMENTS

After startup, the gas valve outlet pressure must be measured and adjusted if necessary in accordance with the [Measure and Adjust Manifold \(Outlet\) Gas Pressure](#) section. If the heater is being installed at an elevation of >6,000 feet (>1,830 meters), the pressure switch must be replaced in accordance with the [Pressure Switch Replacement](#) section before the gas pressure is adjusted.

Pressure Switch Replacement

For installations at elevations >6,000 feet (>1,830 meters), the pressure switch (see [Figure 14](#)) must always be replaced before the heater is operated. If ordered with the unit as part of a high-elevation kit (refer to [Table 13](#)), the switch is shipped separately for field-installation. Replace the pressure switch as follows:

1. Locate pressure switch in control compartment (see [Figure 12](#)) and mark and disconnect two switch wires.
2. Mark and disconnect sensing tube(s) from pressure switch.
3. Remove two screws that secure mounting bracket and remove bracket and pressure switch. Save bracket and screws for reuse.
4. Install replacement pressure switch (refer to replacement parts manual listed in [Table 1](#) for PN) using mounting bracket and two screws. Reconnect sensing tube(s) and wires.

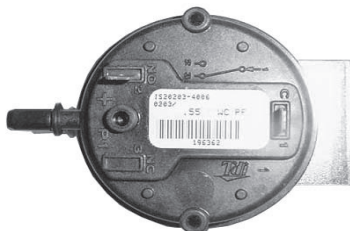


Figure 14. Pressure Switch

Measure and Adjust Manifold (Outlet) Gas Pressure

If the heater is being installed at an elevation $\leq 2,000$ feet (≤ 610 meters), adjust the manifold (outlet) gas pressure in accordance with the [Measure and Adjust Manifold Gas Pressure—Elevation \$\leq 2,000\$ Feet \(\$\leq 610\$ Meters\)](#) section. If the heater is being installed at an elevation $> 2,000$ feet (> 610 meters), adjust the manifold (outlet) gas pressure in accordance with the [Measure and Adjust Manifold Gas Pressure—Elevation \$> 2,000\$ Feet \(\$> 610\$ Meters\)](#) section.

⚠ WARNING ⚠

Valve outlet gas pressure must never exceed 3.5 IN WC for natural gas or 10 IN WC for propane. The maximum inlet supply pressure for natural gas or propane is 14 IN WC. Maximum gas pressure can never be exceeded either during operation or when unit is static (with lock-up regulator).

⚠ CAUTION ⚠

Before attempting to measure or adjust valve outlet gas pressure, the inlet supply pressure must be within the specified range, both when the heater is in operation and when it is on standby. Incorrect inlet pressure could cause excessive valve outlet gas pressure immediately or at some future time. If natural gas supply pressure is too high, install a regulator in the supply line before it reaches the heater. If natural gas supply pressure is too low, contact your gas supplier.

NOTES:

- Measuring outlet pressure cannot be done until the heater is in operation.
 - During normal operation at sea level, adjustment to factory-setting should not be necessary.
 - For natural gas: when the heater leaves the factory, the combination gas valve is set so that the valve outlet gas pressure for a single-stage valve or high fire of a two-stage valve is regulated to 3.5 IN WC. Low fire on a two-stage valve is set to 1.8 IN WC. Inlet supply pressure to the valve for natural gas must be a minimum of 5 IN WC or as noted on the rating plate and a maximum of 14 IN WC.
 - For propane: when the heater leaves the factory, the combination gas valve is set so that the valve outlet gas pressure for a single-stage valve or high fire of a two-stage valve is regulated to 10 IN WC. Low fire on a two-stage valve is set to 5.0 IN WC. Inlet supply pressure to the valve for propane must be a minimum of 11 IN WC and a maximum of 14 IN WC.
 - Gas conversion kits are available for changing from propane to natural gas or natural gas to propane. A factory-authorized conversion kit **MUST** be used.
-

Measure and Adjust Manifold Gas Pressure—Elevation $\leq 2,000$ Feet (≤ 610 Meters)

For installations at normal elevations, measure and adjust the manifold (outlet) gas pressure as follows:

1. Turn knob or switch on top of valve to OFF to prevent flow to gas valve.
-

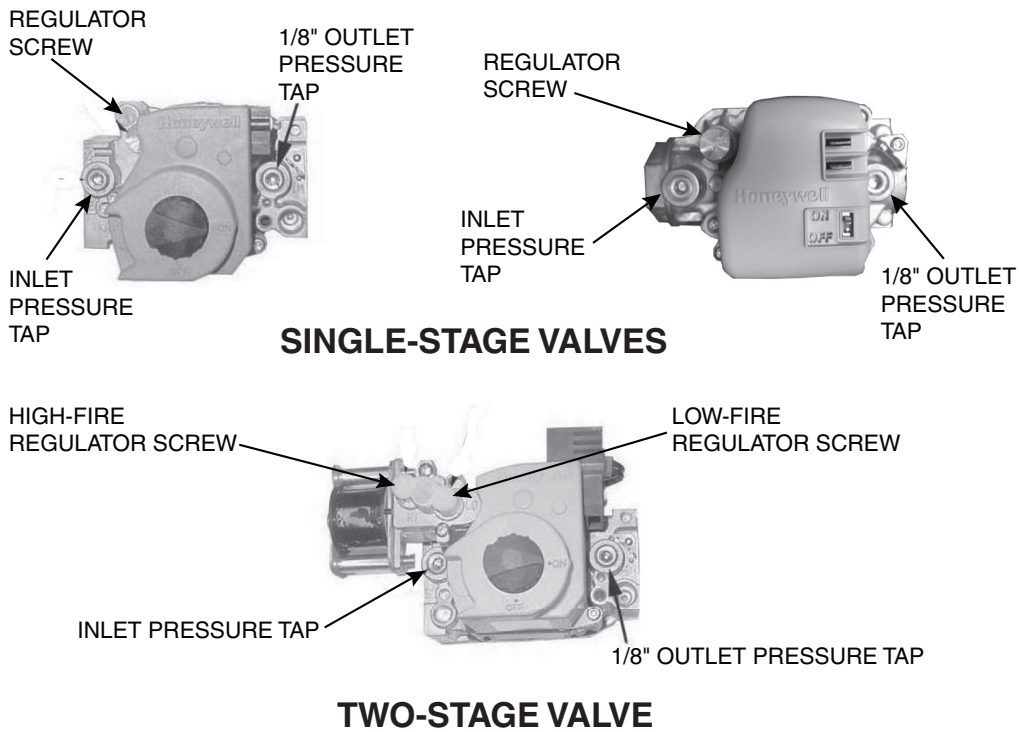
NOTE: A manometer (fluid-filled gauge) is recommended rather than a spring-type gauge due to the difficulty of maintaining the calibration of a spring-type gauge. Use a water column manometer that is readable to the nearest tenth of an inch.

2. Connect manometer to 1/8-inch output pressure tap on valve (see [Figure 15](#)).
3. Open manual valve and operate heater. For models UBZ and UDZ, depress and hold door safety switch.
4. Observe manometer gauge to measure outlet pressure of gas valve. To measure low-stage pressure on unit equipped with two-stage valve, disconnect wire from the HI terminal on valve. Be sure to reconnect wire.

ADJUSTMENTS—CONTINUED

Measure and Adjust Manifold (Outlet) Gas Pressure—Continued

Measure and Adjust Manifold Gas Pressure—Elevation ≤2,000 Feet (≤610 Meters)—Continued



SINGLE-STAGE VALVES

TWO-STAGE VALVE

Figure 15. Gas Valves

⚠ CAUTION ⚠

DO NOT bottom out the gas valve regulator screw. This can result in excessive overfire and heat exchanger failure due to unregulated manifold pressure.

5. If manometer reading does not indicate that valve outlet pressure is in accordance with [Table 20](#), remove cap from regulator screw(s) (see [Figure 15](#)) and adjust pressure by turning regulator screw IN (clockwise) to increase pressure or OUT (counterclockwise) to decrease pressure.
6. When manometer reading indicates that outlet pressure is in accordance with [Table 20](#), disconnect manometer and install cap(s) on regulator screw(s).

Table 20. Required Manifold (Outlet) Gas Pressure					
Elevation		Single-Stage and Two-Stage High-Fire		Two-Stage Low-Fire	
Feet	Meters	Natural Gas	Propane	Natural Gas	Propane
Manifold Pressure (IN WC)					
US					
0–2000	0–610	3.5	10.0	1.8	5.0
2001–3000	611–915	3.1	8.8	1.6	4.4
3001–4000	916–1220	3.0	8.5	1.5	4.2
4001–5000	1221–1525	2.8	8.1	1.5	4.1
5001–6000	1526–1830	2.7	7.7	1.4	3.9
6001–7000	1831–2135	2.6	7.4	1.3	3.7
7001–8000	2136–2440	2.5	7.1	1.3	3.5
8001–9000	2441–2745	2.4	6.7	1.2	3.4
9001–10,000	2746–3045	2.2	6.4	1.2	3.2
Canada					
0–2000	0–610	3.5	10.0	1.8	5.0
2001–4500	611–1373	2.8	8.1	1.5	4.1

Measure and Adjust Manifold Gas Pressure—Elevation >2,000 Feet (>610 Meters)

For installations at high elevations, measure and adjust the manifold (outlet) gas pressure as follows:

1. If installation is at elevation >6,000 feet (1,830 meters), replace pressure switch in accordance with [Pressure Switch Replacement](#) section.

⚠ WARNING ⚠

Manifold gas pressure must never exceed 3.5 IN WC for natural gas or 10 IN WC for propane.

2. Determine correct outlet pressure (refer to [Table 20](#)) for elevation of installation. If unsure of elevation, contact local gas supplier.
3. Turn knob or switch on top of valve to OFF to prevent flow to gas valve.

NOTE: A manometer (fluid-filled gauge) is recommended rather than a spring-type gauge due to the difficulty of maintaining the calibration of a spring-type gauge. Use a water column manometer that is readable to the nearest tenth of an inch.

4. Connect manometer to 1/8-inch output pressure tap on valve (see [Figure 15](#)).

⚠ CAUTION ⚠

DO NOT bottom out the gas valve regulator screw. This can result in excessive overfire and heat exchanger failure due to unregulated manifold pressure.

5. For single-stage or two-stage high fire valve:
 - a. Turn knob or switch on top of valve to ON.
 - b. Remove cap from regulator screw (see [Figure 15](#)) and adjust pressure in accordance with [Table 20](#) by turning regulator screw IN (clockwise) to increase pressure or OUT (counterclockwise) to decrease pressure.
6. For two-stage low fire valve:
 - a. Disconnect wire from HI terminal on gas valve.
 - b. Remove cap from low-fire regulator screw (see [Figure 15](#)) and adjust pressure in accordance with [Table 20](#) by turning regulator screw IN (clockwise) to increase pressure or OUT (counterclockwise) to decrease pressure.
 - c. Reconnect wire to Hi terminal on gas valve.
7. Turn up thermostat. For models UBZ and UDZ, depress and hold door safety switch.
8. Cycle burner once or twice to properly seat adjustment spring in valve and recheck outlet pressure. When pressure corresponds to [Table 20](#), disconnect manometer and install cap on regulator screw.
9. Check for leakage at 1/8-inch outlet pressure tap fitting. Correct as necessary.
10. Connect manometer to inlet pressure tap (see [Figure 15](#)). While heater is operating, measure inlet pressure, which should be between 5 and 13.5 IN WC for natural gas or between 11 and 13.5 IN WC for propane.
11. If inlet pressure is not between 5 and 13.5 IN WC for natural gas or between 11 and 13.5 IN WC for propane, inlet pressure must be corrected by adjusting manifold (outlet) pressure in accordance with steps 3 through 6.

NOTE: The inputs and capacity of the heater varies depending on elevation.

12. Refer to [Table 21](#) or [Table 22](#) for input and capacity values for elevation of installation.
 - a. Use permanent marker to fill in appropriate input and capacity values on high-elevation adjustment label from literature bag provided with unit.
 - b. Select location for label on outside of heater access panel that will be conspicuous to anyone operating or servicing unit.
 - c. Ensure that surface is clean and dry and affix label.
13. Observe heater operation for at least one complete cycle to check for safe and proper operation. For models UBZ and UDZ, depress and hold safety door switch.

ADJUSTMENTS—CONTINUED

Measure and Adjust Manifold (Outlet) Gas Pressure—Continued

Measure and Adjust Manifold Gas Pressure—Elevation >2,000 Feet (>610 Meters)—Continued

Table 21. Inputs and Capacities by Elevation in US															
Elevation (Feet (Meters))	Value*	Unit Size													
		030	045	060	075	100	125	150	175	200	225	250	300	350	400
		BTUh													
0–2000 (0–610)	A	30,000	45,000	60,000	75,000	105,000	120,000	150,000	175,000	200,000	225,000	250,000	300,000	350,000	400,000
	B	24,600	37,350	49,800	62,250	88,200	100,800	124,500	145,250	166,000	186,750	207,500	249,000	290,500	332,000
	C	30,000	45,000	42,000	52,500	73,500	84,000	105,000	122,500	140,000	157,500	175,000	210,000	245,000	280,000
2001–3000 (611–915)	A	28,200	42,300	56,400	70,500	98,700	112,800	141,000	164,500	188,000	211,500	235,000	282,000	329,000	376,000
	B	23,124	35,109	46,812	58,515	82,908	94,752	117,030	136,535	156,040	175,545	195,050	234,060	273,070	312,080
	C	28,200	42,300	39,480	49,350	69,090	78,960	98,700	115,150	131,600	148,050	164,500	197,400	230,300	263,200
3001–4000 (916–1220)	A	27,600	41,400	55,200	69,000	96,600	110,400	138,000	161,000	184,000	207,000	230,000	276,000	322,000	368,000
	B	22,632	34,362	45,816	57,270	81,144	92,736	114,540	133,630	152,720	171,810	190,900	229,080	267,260	305,440
	C	27,600	41,400	38,640	48,300	67,620	77,280	96,600	112,700	128,800	144,900	161,000	193,200	225,400	257,600
4001–5000 (1221–1525)	A	27,000	40,500	54,000	67,500	94,500	108,000	135,000	157,500	180,000	202,500	225,000	270,000	315,000	360,000
	B	22,140	33,615	44,820	56,025	79,380	90,720	112,050	130,725	149,400	168,075	186,750	224,100	261,450	298,800
	C	27,000	40,500	37,800	47,250	66,150	75,600	94,500	110,250	126,000	141,750	157,500	189,000	220,500	252,000
5001–6000 (1526–1830)	A	26,400	39,600	52,800	66,000	92,400	105,600	132,000	154,000	176,000	198,000	220,000	264,000	308,000	352,000
	B	21,648	32,868	43,824	54,780	77,616	88,704	109,560	127,820	146,080	164,340	182,600	219,120	255,640	292,160
	C	26,400	39,600	36,960	46,200	64,680	73,920	92,400	107,800	123,200	138,600	154,000	184,800	215,600	246,400
6001–7000 (1831–2135)	A	25,800	38,700	51,600	64,500	90,300	103,200	129,000	150,500	172,000	193,500	215,000	258,000	301,000	344,000
	B	21,156	32,121	42,828	53,535	75,852	86,688	107,070	124,915	142,760	160,605	178,450	214,140	249,830	285,520
	C	25,800	38,700	36,120	45,150	63,210	72,240	90,300	105,350	120,400	135,450	150,500	180,600	210,700	240,800
7001–8000 (2136–2440)	A	25,200	37,800	50,400	63,000	88,200	100,800	126,000	147,000	168,000	189,000	210,000	252,000	294,000	336,000
	B	20,664	31,374	41,832	52,290	74,088	84,672	104,580	122,010	139,440	156,870	174,300	209,160	244,020	278,880
	C	25,200	37,800	35,280	44,100	61,740	70,560	88,200	102,900	117,600	132,300	147,000	176,400	205,800	235,200
8001–9000 (2441–2745)	A	24,600	36,900	49,200	61,500	86,100	98,400	123,000	143,500	164,000	184,500	205,000	246,000	287,000	328,000
	B	20,172	30,627	40,836	51,045	72,324	82,656	102,090	119,105	136,120	153,135	170,150	204,180	238,210	272,240
	C	24,600	36,900	34,440	43,050	60,270	68,880	86,100	100,450	114,800	129,150	143,500	172,200	200,900	229,600
9001–10,000 (2746–3045)	A	24,000	36,000	48,000	60,000	84,000	96,000	120,000	140,000	160,000	180,000	200,000	240,000	280,000	320,000
	B	19,680	29,880	39,840	49,800	70,560	80,640	99,600	116,200	132,800	149,400	166,000	199,200	232,400	265,600
	C	24,000	36,000	33,600	42,000	58,800	67,200	84,000	98,000	112,000	126,000	140,000	168,000	196,000	224,000

*A = normal input, B = thermal output capacity, and C = minimum input.

Table 22. Inputs and Capacities by Elevation in Canada															
Elevation (Feet (Meters))	Value*	Unit Size													
		030	045	060	075	100	125	150	175	200	225	250	300	350	400
		BTUh													
0–2000 (0–610)	A	30,000	45,000	60,000	75,000	105,000	120,000	150,000	175,000	200,000	225,000	250,000	300,000	350,000	400,000
	B	24,600	37,350	49,800	62,250	88,200	100,800	124,500	145,250	166,000	186,750	207,500	249,000	290,500	332,000
	C	30,000	45,000	42,000	52,500	73,500	84,000	105,000	122,500	140,000	157,500	175,000	210,000	245,000	280,000
2001–4500 (611–1373)	A	27,000	40,500	54,000	67,500	94,500	108,000	135,000	157,500	180,000	202,500	225,000	270,000	315,000	360,000
	B	22,140	33,615	44,820	56,025	79,380	90,720	112,050	130,725	149,400	168,075	186,750	224,100	261,450	298,800
	C	27,000	40,500	37,800	47,250	66,150	75,600	94,500	110,250	126,000	141,750	157,500	189,000	220,500	252,000

*A = normal input , B = thermal output capacity, and C = minimum input.

MAINTENANCE

⚠ WARNING ⚠

If you turn OFF the electrical power supply, turn OFF the gas.

⚠ CAUTION ⚠

- Eye protection is recommended when cleaning unit.
- When any service is completed, ensure that the unit is reassembled correctly so that no unsafe conditions are created.
- When re-lighting, always follow the lighting instructions on the heater.
- If any of the original wire supplied with the appliance must be replaced, it must be replaced with wiring material having a temperature rating of at least 105°C, except for limit control, flame rollout, and sensor lead wires which must be rated at 150°C.
- If replacement parts are required, use only factory-authorized parts.

NOTE: To ensure long life and satisfactory performance, a heater that is operated under normal conditions should be inspected and cleaned at the start of each heating season. If the heater is operating in an area where an unusual amount of dust or soot or other impurities are present in the air, more frequent maintenance is recommended.

The unit is designed to operate with a minimum of maintenance. However, to ensure long life and satisfactory performance, routine service is recommended. When servicing, follow standard safety procedures and those specific instructions and warnings in this manual.

Service Checklist

The following section is designed to aid a qualified service person in maintaining and servicing this equipment. At a minimum, perform the following annually (see [Figure 12](#) for component locations):

- Inspect burner/control compartment annually to determine if cleaning is necessary
- Clean all dirt, lint, and grease from combustion air opening (models UBX and UDX) and venter assembly
- Clean all dirt, lint, and grease from fan blade, fan guard, and motor
- Check heat exchanger both internally and externally
- Check burner for scale, dust, or lint accumulation and clean if needed
- Check gas valve to ensure that gas flow is being shut off completely
- Check vent or vent/combustion air system for soundness and clean openings
- Replace any parts that do not appear sound
- Check for any damaged wiring and replace as necessary

Maintenance Procedures

Burner Maintenance

Visually inspect the burner compartment (see [Figure 16](#)). If there is an accumulation of dirt, dust, and/or lint, clean the compartment and remove and clean the burner as follows:

MAINTENANCE—CONTINUED

Maintenance Procedures—Continued

Burner Maintenance—Continued

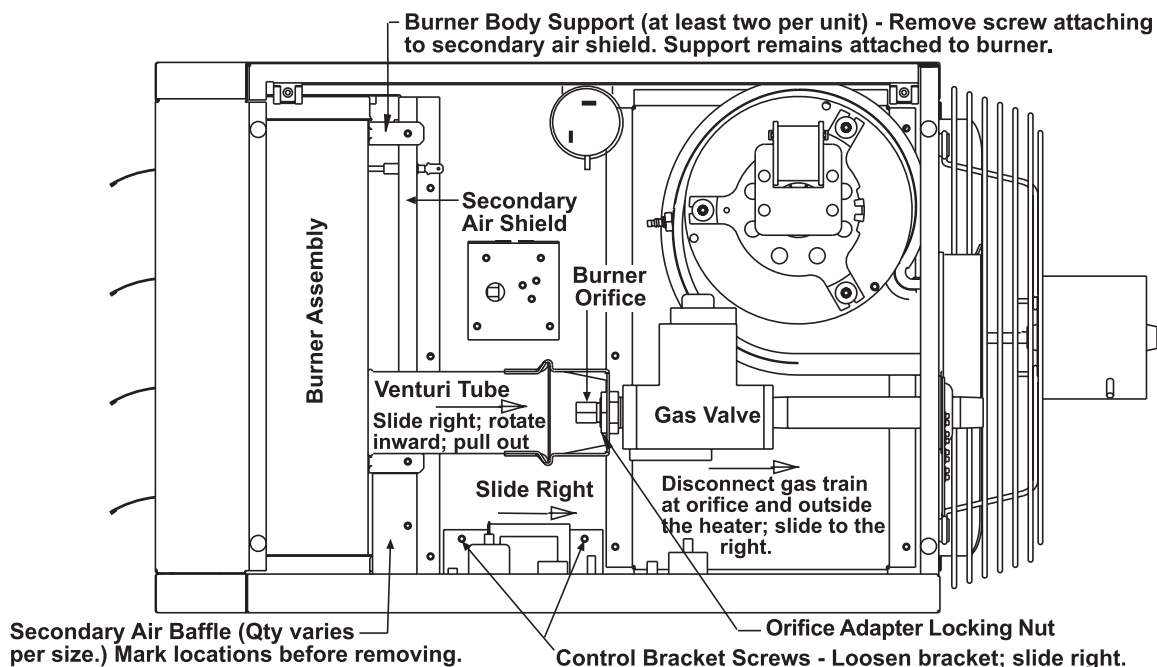


Figure 16. Typical Burner Assembly

1. Remove gas and electric supply:

- Shut OFF gas supply ahead of union at manual shutoff valve outside cabinet.
- Turn OFF electric supply.
- Disconnect gas supply at union outside of cabinet.

⚠ WARNING ⚠

Use of eye protection is recommended.

2. Remove burner assembly (see Figure 16):

- Remove access panel.
- Detach gas train:
 - Mark and disconnect wires at combination gas valve.
 - Carefully remove burner orifice and orifice adapter locking nut.
 - Slide orifice adapter out through bracket on venturi tube while pushing gas train to right. This will move gas train out of way.
- Detach control assembly:
 - Remove two screws that secure control assembly bracket.
 - Being careful not to disconnect any wires, slide control assembly to right.
- Remove secondary air baffle(s) (unit sizes 060–400 only):
 - Locate flat plate(s) identified as secondary air baffle(s)—vertical along right side of burner. Quantity of baffles could be one to four depending on heater size. Each baffle is held in place by one screw.
 - For correct re-assembly on secondary air shield, mark location (top and bottom) of each baffle.
 - Remove screw(s) and remove baffle(s) (all).

- e. Locate burner body supports—depending on size, burner will have two or more supports.
- f. At each support, remove one screw that secures support to secondary air shield.
- g. While holding venturi tube, slide entire burner assembly slightly to right to disengage burner from supports on left.
- h. Rotate open end of venturi tube inward toward heater and carefully pull burner assembly out of cabinet.

3. Inspect and clean burner:

NOTE: If, upon inspection, any of the burner components are damaged or deteriorated, replace the burner assembly.

- a. With burner assembly removed, shine flashlight on burner ribbons. Look for carbon buildup, scale, dust, lint, and/or anything that might restrict flow through spaces between burner ribbons.
- b. While holding burner assembly so that any foreign material will fall away from burner, use stiff bristle brush to loosen and remove any foreign material(s).
- c. If burner is excessively dirty, remove one burner end cap:
 - (1) Remove four screws that secure end cap to burner housing.
 - (2) Lightly tap end cap to remove it.
- d. Clean all foreign material from burner and venturi.
- e. When burner is thoroughly clean, replace end cap, ensuring that it is tight against burner housing.

4. Inspect lower part of heat exchanger:

- a. With burner assembly removed, shine bright light into each heat exchanger section at burner flame entrance of each tube.
- b. With light shining into heat exchanger, observe outside for visible light. Repeat for each heat exchanger section.
- c. If any light is observed, replace heat exchanger.

5. Re-install burner assembly (see [Figure 16](#)):

- a. Attach burner assembly:
 - (1) While holding venturi tube, slide entire burner assembly into position.
 - (2) Align supports on left side with slots in burner shield and slide supports into slots.
 - (3) On right, install screw that secures each burner body support to secondary air shield.
- b. Re-install secondary air baffles (unit sizes 060–400 only)—install screw that secures each baffle(s)—baffles may be different sizes and each must be installed in correct location as marked.
- c. Attach control assembly:
 - (1) Carefully slide control assembly into position and secure using same screws.
 - (2) Check to ensure that all wire connections are secure.
- d. Attach gas train:
 - (1) Slide gas train into position so that orifice adapter is slid through bracket on burner.
 - (2) Secure gas train to bracket using locking nut.
 - (3) Install gas orifice and reconnect wires to gas valve.
- e. Install access panel.
- f. Reconnect gas supply at union outside of cabinet.
- g. Leak test connection using leak detecting solution. If leak is detected, tighten connection. If leak cannot be stopped by tightening connection, replace part(s).

6. Turn ON electric and gas.

7. Check for proper operation.

MAINTENANCE—CONTINUED

Maintenance Procedures—Continued

Burner Orifice Maintenance

The burner orifice usually needs to be replaced only when installing a gas conversion kit. When ordering a replacement orifice only, provide BTUh content and specific gravity of gas as well as the model and serial number of the unit. When removing or replacing the burner orifice, take care not to damage the venturi tube and/or the bracket.

Heat Exchanger Maintenance

NOTE: Inspection of the lower portion of the heat exchanger is done with the burner removed. Refer to the [Burner Maintenance](#) section for information on inspecting the lower portion of the heat exchanger.

1. Remove burner in accordance with [Burner Maintenance](#) section.
2. Remove any external dirt or dust accumulation.
3. Visually inspect heat exchanger for cracks and holes.
4. If crack or hole is found, replace heat exchanger.
5. Install burner in accordance with [Burner Maintenance](#) section.

Ignition System Maintenance

- The DSI control module (circuit board, see [Figure 11](#)) monitors the operation of the heater including ignition. The only replaceable component is the 3-amp Type ATC or ATO fuse (color code: violet, PN 201685). If the fuse is blown, the problem is most likely an external overload. Correct the problem and replace the fuse.
- Do not attempt to disassemble the control module. However, check the lead wires each heating season for insulation deterioration and good connections.
- For the flame sensor (see [Figure 12](#) for location), disconnect the wire and remove the screw and the flame sensor. Clean flame sensor with an emery cloth before reinstalling.
- Proper operation of the direct spark ignition system requires a minimum flame signal of 1.0 microamps as measured by a microammeter.
- For the ignitor (see [Figure 12](#) for location), disconnect the wire and remove the screw and ignitor. Clean the ignitor assembly with an emery cloth before reinstalling.

⚠ WARNING ⚠

Due to high voltage on the spark wire and electrode, do not touch when energized.

- The spark gap (see [Figure 17](#)) must be maintained to 1/8 inch.

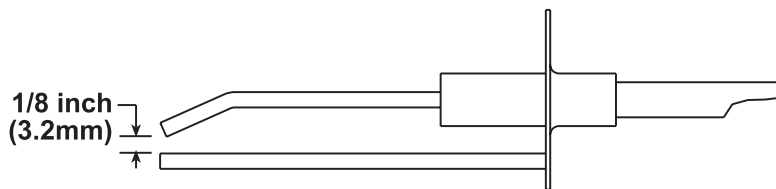


Figure 17. Ignitor Spark Gap

Maintenance of Fan Motor, Fan Blades, and Fan Guard

Inspect and clean the motor, fan guard, and blades. Remove any dirt and grease. Take care when cleaning the fan blades so as prevent causing misalignment or imbalance. Check to ensure that the hub of the fan blades is secure to the shaft. If necessary, replace the assembly as follows:

1. If heater has been installed, turn OFF gas and disconnect electric power.
2. Remove access panel and disconnect fan motor wires, capacitor wires at capacitor, and ground screw.
3. Remove assembled parts (fan guard, motor, and fan blade).
4. Disassemble and replace part(s) as needed.
5. Reassemble using replacement part(s) as needed and original parts.
6. Ensure that fan blade is in proper position on shaft (see **Figure 18**) and that blades are properly spaced (refer to **Table 23**).

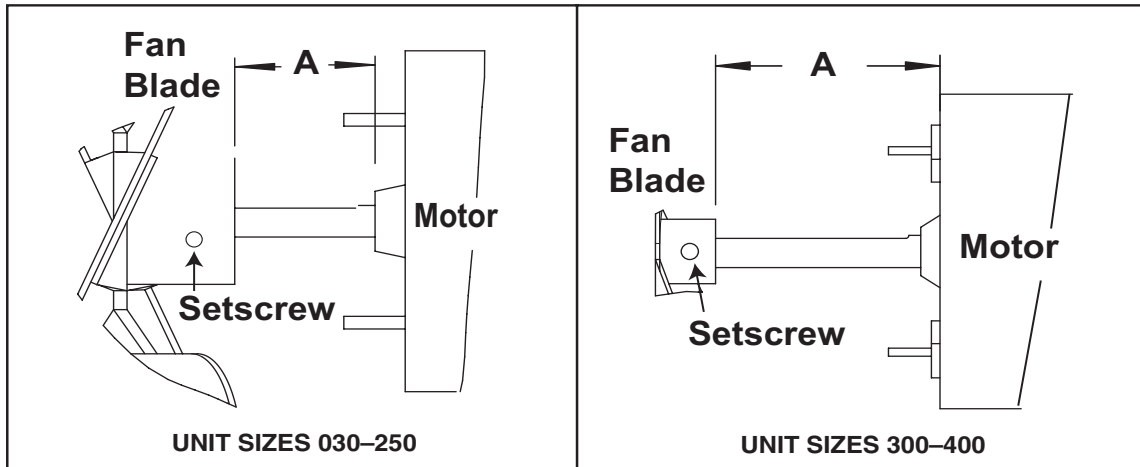


Figure 18. Fan Blade Positioning and Spacing

7. Position assembly on heater and attach fan guard.
8. Rotate fan blade to check for adequate clearance. If adjustment is required, loosen mounting screws, reposition fan guard, and tighten screws. Repeat until assembly is positioned properly.
9. Reconnect fan motor wires in accordance with wiring diagram.
10. Install access panel.
11. Restore electric power to heater and turn ON gas.
12. Follow instructions on lighting instruction plate to light heater.
13. Check for proper heater operation.

Unit Size	Dimension A*				Setscrew Torque (Inch-Pounds (±10))
	Standard Wire Fan Guard with 0.5 Inch (13 mm) Spacing		Option AZ8 Wire Fan Guard with 0.334 Inch (8.5 mm) Spacing		
	Inches	Millimeters	Inches	Millimeters	
030	1	25	1	25	80
045	9/16	14	1-1/16	27	
060	1-1/2	38	1-3/4	44	
075	2-1/8	54	1-1/2	38	
100	2-3/8	60	2-3/8	60	
125	2-5/16	59	2-1/8	54	120
150	2-3/8	60	—		130
175	2-1/8	54			
200	1-5/8	41			
225, 250, 300	2	51			
350	1-7/8	48			
400	1-3/8	35			

*See **Figure 18**.

MAINTENANCE—CONTINUED

Maintenance Procedures—Continued

Venter Motor and Wheel Assembly Maintenance

NOTES:

- Venter motor bearings are permanently lubricated.
- Keep all hardware removed to be used in reassembling and installing the replacement parts.

Remove dirt and grease from the motor casing, venter housing, and venter wheel. Replace the venter motor and wheel assembly as follows:

1. Turn OFF gas and disconnect electric power.
2. Remove burner/control compartment access panel.
3. Disconnect three venter motor wires at DSI control, capacitor wires at capacitor (if applicable), and ground screw (located on control panel).
4. Detach gas train (unit sizes 030 and 045 only):
 - a. Disconnect gas supply at union outside of cabinet.
 - b. Mark and disconnect wires at gas valve.
 - c. Carefully remove burner orifice and orifice adapter locking nut.
 - d. Slide orifice adapter out through bracket on burner while pushing gas train to right. This will move gas train out of way.
5. While holding venter motor, remove three or four screws that secure venter motor mounting plate to venter housing. Remove motor and wheel assembly from heater.
6. Reassemble with replacement venter motor and wheel. Ensure that venter wheel is properly positioned on shaft (see [Figure 19](#)).
7. Reconnect venter wires in accordance with wiring diagram.
8. For unit sizes 030 and 045, reconnect gas supply at union outside of cabinet.
9. Leak test connection using leak detecting solution. If leak is detected, tighten connection. If leak cannot be stopped by tightening connection, replace part(s).
10. Install access panel.
11. Restore electric power to heater and turn ON gas.
12. Follow instructions on lighting instruction plate to light heater.
13. Check for proper heater operation.

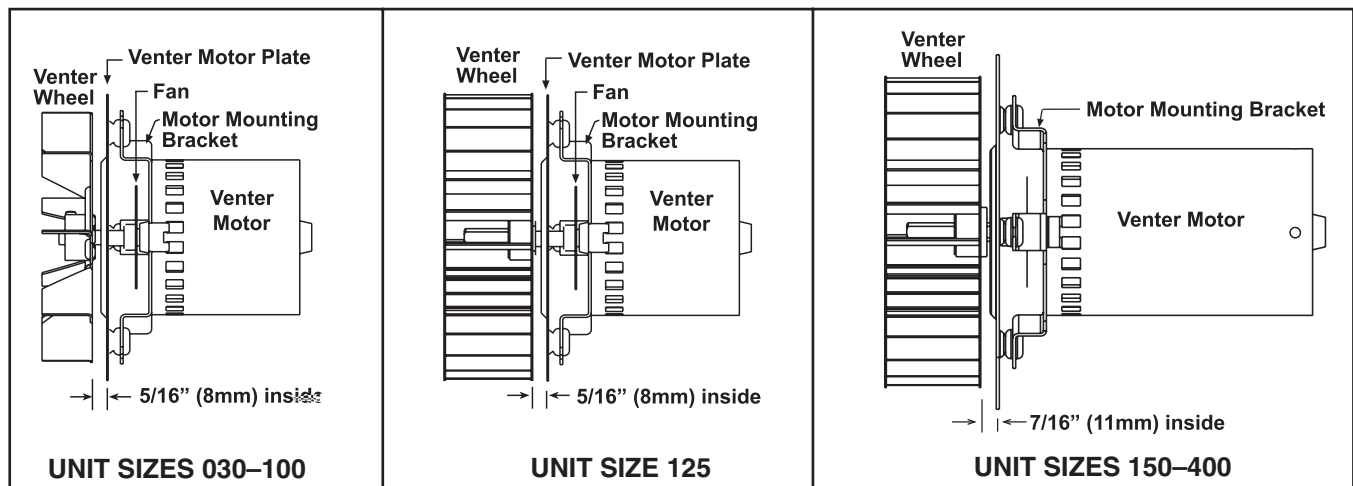


Figure 19. Venter Motor and Wheel Assembly

Combination Gas Valve Maintenance

⚠ WARNING ⚠

The combination gas valve is the prime safety shutoff. All gas supply lines must be free of dirt or scale before connecting to the unit to ensure positive closure.

Inspect the combination gas valve, carefully remove any external dirt accumulation, and check wiring connections. Check the valve annually to ensure that the valve is shutting off gas flow completely as follows:

1. Turn manual shutoff valve OFF to prevent flow to gas valve.

NOTE: A manometer (fluid-filled gauge) is recommended rather than a spring-type gauge due to the difficulty of maintaining the calibration of a spring-type gauge. Use a water column manometer that is readable to the nearest tenth of an inch.

2. Connect manometer to 1/8-inch output pressure tap on valve (see [Figure 15](#)).
3. Turn manual valve ON and heater OFF.
4. Use finger to fully block main burner orifice for several seconds.
5. Observe manometer with orifice blocked. If **any** pressure is indicated, gas valve is leaking.
6. Replace leaking gas valve before heater is restored to operation.

Pressure Switch Maintenance

If it is determined that the pressure switch (see [Figure 14](#)) needs replacing, use only the factory-authorized replacement part that is designed for the model and size of heater being serviced. Replace the switch in accordance with the [Pressure Switch Replacement](#) section.

NOTES:

- Depending on the date of manufacture and unit size, the pressure switch may not be in the location indicated. Check the control bracket on the bottom of the compartment or further down on the compartment wall.
- A unit operating above 6,000 feet (1,830 meters) in elevation requires a high-elevation pressure switch (refer to [Pressure Switch Replacement](#) section).

High Temperature Limit Control Maintenance

If it is determined that the high temperature limit control (see [Figure 20](#)) needs replacing, use only a factory-authorized replacement part that is designed for the size of heater. For the approximate limit control location, see [Figure 12](#).

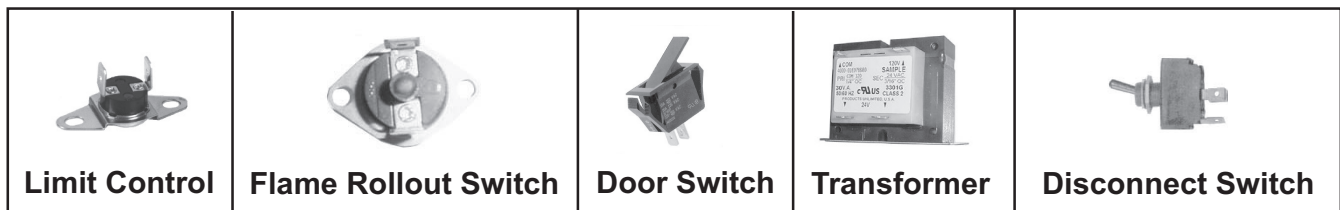


Figure 20. Replaceable Components

MAINTENANCE—CONTINUED

Maintenance Procedures—Continued

Flame Rollout Switch Maintenance (Models UDX and UDZ Unit Sizes 030–125 Only)

- The cause of a flame rollout switch (see [Figure 20](#)) activating must be determined. See [Figure 12](#) for flame rollout switch location. Activation of the manually-reset flame rollout switch could be caused by one or more of the following:
 - Restricted or plugged heat exchanger
 - Too much building exhaust
 - Manifold gas pressure too high
 - Restricted combustion air inlet or exhaust outlet in combination with defective pressure switch
 - Electrical power interruption during operation
 - Unit being operated with line voltage disconnect (24V thermostat is required)
- If a flame rollout switch trips, inspect the burner/control compartment for signs of excessive heat and burned wiring. If there is damage to the control compartment, repairs must be made before resetting the switch.
- If the compartment appears normal, reset by depressing the red button on the switch (15 to 20 minutes are required for the switch to cool sufficiently before resetting). A distinct click will be felt when the switch resets. Operate the furnace. If the flame rollout switch trips again, determine and correct the cause before resetting the switch.
- If it is determined that the flame rollout switch needs replacing, use only the factory-authorized replacement part that is designed for that size of heater. The disconnect switch is located in the sealed electrical box inside the control compartment with the toggle on the rear of the heater.

Interlock Door Switch Maintenance (Models UBZ and UDZ Only)

If it is determined that the interlock door switch (see [Figure 20](#)) needs replacing, use only a factory-authorized replacement part that is designed for the heater. For the approximate door switch location, see [Figure 12](#).

Transformer Maintenance

Use a voltmeter to verify that there are 24V output from the transformer (see [Figure 20](#)). If the transformer is not functioning, it must be replaced. Use a replacement transformer identical to the factory-installed model. For the transformer location, see [Figure 12](#).

Disconnect Switch Replacement (Models UBZ and UDZ Only)

If it is determined that the disconnect switch (see [Figure 20](#)) needs replacing, use only the factory-authorized replacement part that is designed for the heater. Always replace the electrical box cover.

Vent or Vent/Combustion Air System Maintenance

Check the complete system at least once a year. Inspection should include all joints, seams, concentric adapter box (models UBZ and UDZ), inlet air guard or inlet air cap (models UBZ and UDZ), and the vent terminal cap. Clean all openings and replace any defective parts.

TROUBLESHOOTING

General Troubleshooting

Refer to [Table 24](#) for general troubleshooting symptoms, probable causes, and remedies.

Table 24. General Troubleshooting		
Symptom	Probable Cause	Remedy
Venter motor will not start	1. No power to unit	Turn ON power and check supply fuses or circuit breaker
	2. No 24V power to integrated circuit board	Turn up thermostat
		Check control transformer output
	3. Integrated circuit board fuse blown	Correct cause and replace fuse (3A, type ATC or ATO, 32VDC)
	4. No power to venter motor	Tighten connections at circuit board and/or motor terminals
	5. Integrated circuit board defective	Replace integrated circuit board
6. Defective venter motor	Replace venter motor (refer to Venter Motor and Wheel Assembly Maintenance section)	

Table 24. General Troubleshooting—Continued

Symptom	Probable Cause	Remedy
Burner will not light	1. Manual valve not open	Open manual valve
	2. Air in the gas line	Bleed gas line (initial startup only)
	3. Gas pressure too high or too low	Supply pressure should be 5–14 IN WC for natural gas or 11–14 IN WC for propane
	4. No spark	Perform following:
	a. Loose wire connections	Ensure that all wire connections are solid
	b. Transformer failure	Ensure that 24V power is available
	c. Incorrect spark gap	Maintain spark gap at 1/8 inch
	d. Spark cable shorted to ground	Replace worn or grounded spark cable
	e. Spark electrode shorted to ground	Replace ceramic spark electrode if it is cracked or grounded
	f. Burner not grounded	Ensure that integrated circuit board is grounded (terminals P1–9)
	g. Circuit board not grounded	Ensure that integrated circuit board is grounded to furnace chassis
	h. Unit not properly grounded	Ensure that unit is properly field grounded to earth ground and properly phased (L1 to hot lead L2 to neutral)
	i. Integrated circuit board fuse blown	Correct cause and replace fuse (3A, type ATC or ATO, 32VDC)
	j. Faulty integrated circuit board	If 24V power is available to integrated circuit board and all other causes have been eliminated, replace board
	5. Lockout device interrupting control circuit by above causes	Reset lockout by interrupting control at thermostat or main power
	6. Interlock door switch open	Close access door or replace switch
	7. Pressure switch not closing	Perform following: Ensure that unit is properly vented Remove obstruction(s) from vent Replace faulty tubing to pressure switch
	8. Faulty pressure switch	Replace pressure switch
	9. Main valve not operating	Perform following:
	a) Defective valve	If 24V power is measured at valve connections and valve remains closed, replace valve
b) Loose wire connections	Check and tighten all wiring connections	
10. Integrated circuit board does not power main valve	Perform following:	
a) Loose wire connections	Ensure that all wire connections are solid	
b) Flame sensor grounded	Ensure that flame sensor lead is not grounded or that sensor insulation or ceramic is not cracked—replace as required	
c) Incorrect gas pressure	Supply pressure should be 5–14 IN WC for natural gas or 11–14 IN WC for propane	
d) Cracked ceramic at sensor	Replace sensor	
Burner cycles ON and OFF	1. Gas pressure too high or too low	Supply pressure should be 5–14 IN WC for natural gas or 11–14 IN WC for propane
	2. Burner not grounded	Ensure that integrated circuit board is grounded (terminals P1–1)
	3. Circuit board not grounded	Ensure that integrated circuit board is grounded to furnace chassis
	4. Faulty integrated circuit board	If 24V power is available to integrated circuit board and all other causes have been eliminated, replace board
	5. Pressure switch not closing	Perform following: Ensure that unit is properly vented Remove obstruction(s) from vent Replace faulty tubing to pressure switch
	6. Faulty pressure switch	Replace pressure switch
	7. Flame sensor grounded	Ensure that flame sensor lead is not grounded or that sensor insulation or ceramic is not cracked—replace as required
	8. Cracked ceramic at sensor	Replace sensor
	9. Incorrect polarity	Reverse line volt leads to integrated circuit board
	10. Pin terminal loose on wire harness	Replace wire harness
No heat (heater operating)	1. Incorrect valve outlet pressure or orifice	Check valve outlet pressure (refer to unit rating plate for manifold pressure)
	2. Cycling on limit control	Check air throughput
	3. Improper thermostat location or adjustment	Refer to thermostat manufacturer's instructions
Fan or venter motor will not run	1. Circuit open	Check wiring and connections
	2. Defective integrated circuit board	Replace board
	3. Defective motor	Replace motor

TROUBLESHOOTING—CONTINUED

General Troubleshooting—Continued

Symptom	Probable Cause	Remedy
Fan or venter motor turns ON and OFF while burner is operating	1. Motor overload device cycling ON and OFF	Check motor load against motor rating plate—replace motor if needed
Fan or venter motor cuts out on overload	1. Low or high voltage supply	Correct electric supply
	2. Defective motor	Replace motor
	3. Poor airflow	Clean motor, fan, and fan guard

Unit Troubleshooting Using DSI Control Module

The seven-segment display on the DSI control module (refer to [Circuit Board \(DSI Control Module\)](#) section) may be used to troubleshoot the unit. The control module monitors the operation of the heater, and the display indicates normal operation and various abnormal conditions. If the heater fails to operate properly, check this display (refer to [Table 25](#)) to determine the cause and/or to eliminate certain causes. Remove and reapply power to the control module to view the last five fault codes stored in its memory—the most recent to least recent fault codes will be displayed. See [Figure 21](#) for a flowchart for troubleshooting the unit using the DSI control module.

NOTES:

- If troubleshooting indicates that repair of the DSI control module is required, note that its only replaceable part is the fuse (see [Figure 11](#)), which is a type ATC or ATO 3A fuse, color code violet (PN 201685).
- **IMPORTANT:** When using a multimeter to troubleshoot the 24V circuit, place the multimeter's test leads into the connectors located on the ignition control. Do not remove connectors or terminals from the electrical components. Doing so can result in misinterpreted readings caused by the control module's fault mode monitoring circuits.
- Remove and reapply power to the control module to view the last five fault codes stored in its memory. The most recent to least recent fault codes will be displayed.

Display Code Status	Display Code	Indication
Steady	—	Normal operation—no call for heat
	0	Ignition sequence active
	H	Normal operation—call for heat (strong flame)
Flashing	2	Normal operation—call for heat (weak flame)
	L	Lockout from failed ignition or flame loss
	3	Pressure switch is not closed within 30 seconds of venter motor energizing
	4	Pressure switch is closed before venter motor is energized
	5	Limit switch or rollout open
	6	Undesired flame
Steady	7	Polarity reversed
	Off	Internal fault/power failure

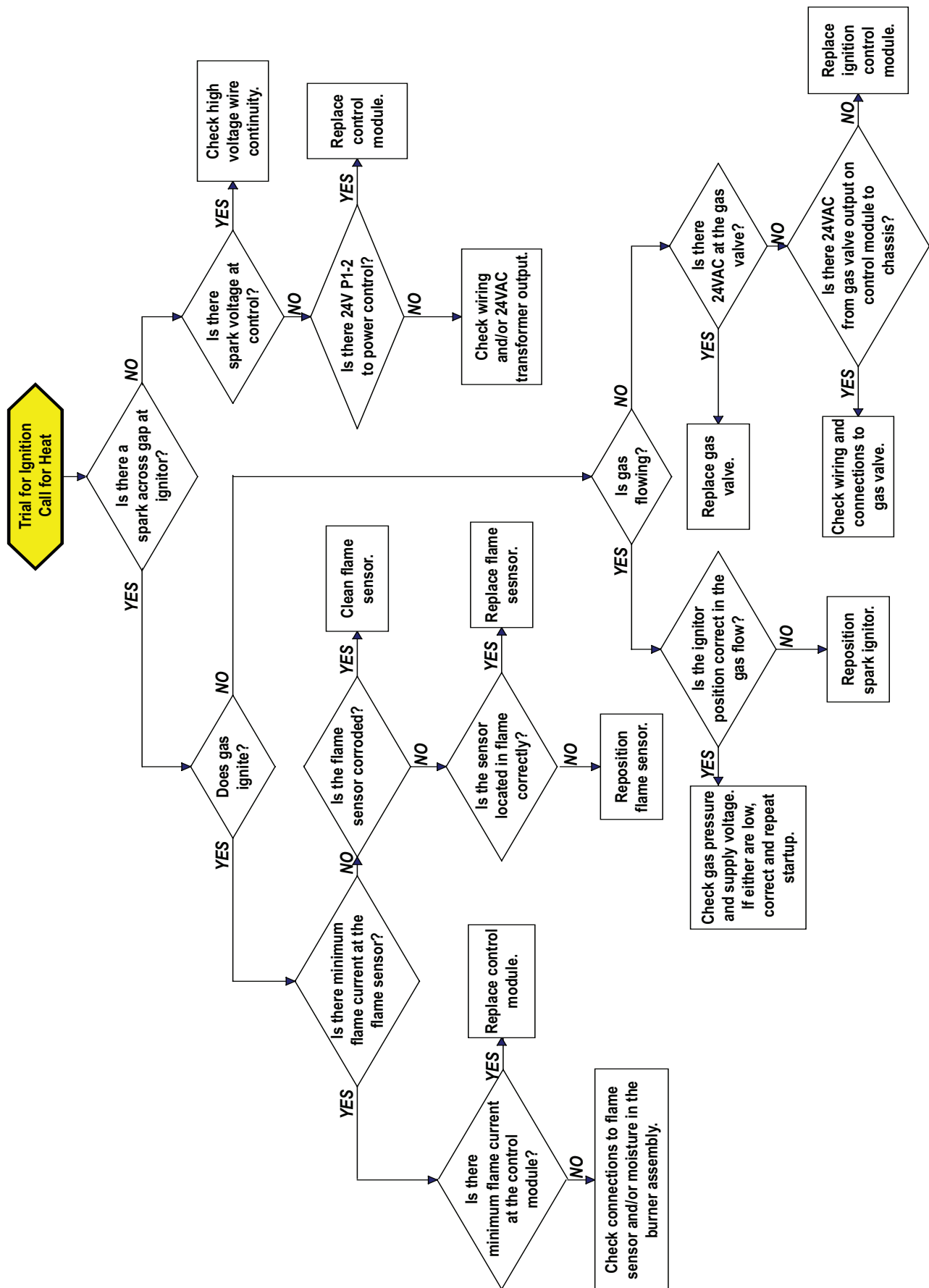


Figure 21. DSI Control Module Troubleshooting Flowchart

INSTALLATION RECORD (TO BE COMPLETED BY INSTALLER)

Installer:

Name _____
Company _____
Address _____

Phone _____

Distributor (company from which the unit was purchased):

Company _____
Contact _____
Address _____

Phone _____

Model _____ **Serial No.** _____ **Date of Installation** _____

Specific installation notes (i.e., location, amps, gas pressure, temperature, voltage, adjustments, warranty, etc.):

BUILDING OWNER OR MAINTENANCE PERSONNEL:

For service or repair:

Contact the Installer listed above.

If you need additional assistance, contact the Distributor listed above.

For more information, contact your Factory Representative.

