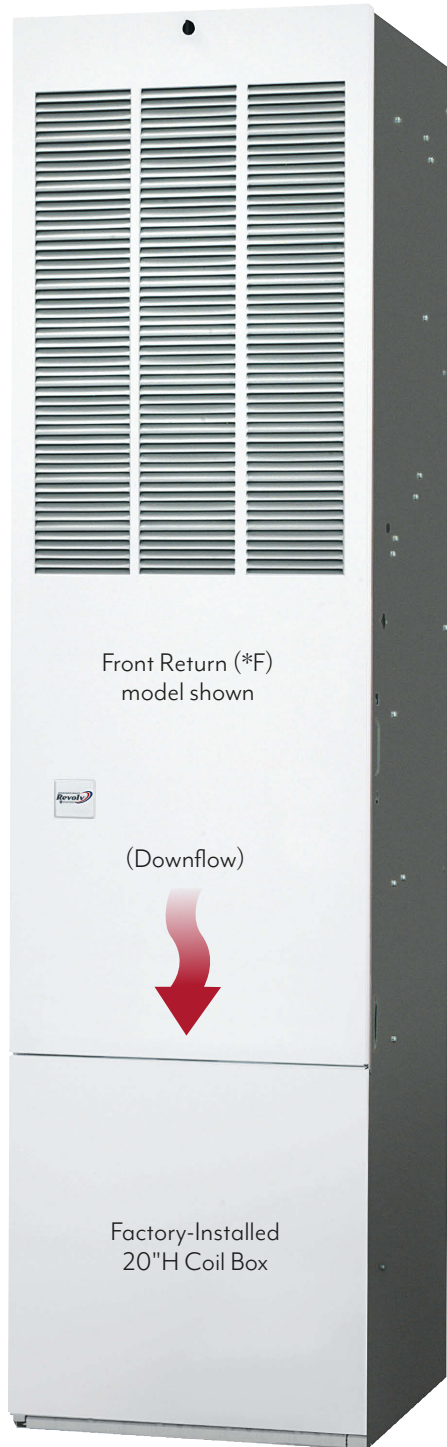




Indoor Comfort Products Brought to You
by the Manufactured Home Experts!

MG2S 96% AFUE 2-Stage MH Gas Furnaces



Unique Manufactured Housing Design with a robust, 19 $\frac{7}{8}$ "W, fully-insulated cabinet to fit the standard MH footprint; the highest efficiency, HUD-compliant, gas furnace available.

2-Stage Gas Valve allows for true, low fire-rate furnace operation to consume and produce as little as half of the rated full-capacity, preventing short cycling and reducing energy consumption.

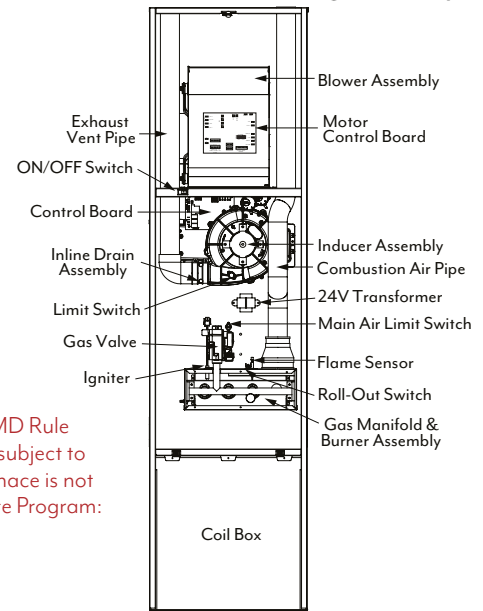
AC-Ready Options include a factory-installed 20"H coil box and an FER-compliant ECM blower, for up to 4-Tons nominal cooling. (See Split System Sell Sheets for coil fit and AHRI-matches.)

Quick LP Conversion with an easy-access gas valve regulator and manifold assembly; LP components are factory-supplied with the unit.

Dependable Warranty and Support, handled directly by Style Crest's dedicated HVAC Team, offering the most competitive warranty coverage and service in the Manufactured Housing Industry.



This furnace does not meet the SCAQMD Rule 1111 NOx emission limit (14 ng/J), and is subject to a mitigation fee of up to \$450. This furnace is not eligible for the Clean Air Furnace Rebate Program: www.CleanAirFurnaceRebate.com.



www.stylecrestinc.com | 800.945.4440

MG2S 96% AFUE 2-Stage MH Gas Furnaces

SKU	AHRI Cert. #	Low-fire Input	Low-fire Capacity	High-Fire Input	High-Fire Capacity	Ship L	Ship W	Ship H	Ship Wt.	NG	Orifice ¹ LP	Qty	MOP
MG2S-045F	203049789	29 MBH	27.8 MBH	45 MBH	43.2 MBH	26 1/2"	21 1/2"	78"	179#	49	1.1mm	3	15A
MG2S-060F	203049796	39 MBH	37.4 MBH	60 MBH	57.6 MBH	26 1/2"	21 1/2"	78"	179#	45	1.25mm	3	15A
MG2S-072F	203049801	47 MBH	45.1 MBH	72 MBH	69.1 MBH	26 1/2"	21 1/2"	78"	186#	47	1.2mm	4	15A
MG2S-045T ²	203049794	29 MBH	27.8 MBH	45 MBH	43.2 MBH	26 1/2"	21 1/2"	78"	179#	49	1.1mm	3	15A
MG2S-060T ²	203049799	39 MBH	37.4 MBH	60 MBH	57.6 MBH	26 1/2"	21 1/2"	78"	179#	45	1.25mm	3	15A
MG2S-072T ²	203049803	47 MBH	45.1 MBH	72 MBH	69.1 MBH	26 1/2"	21 1/2"	78"	186#	47	1.2mm	4	15A

1) Orifice required will vary with altitude; consult the unit installation instructions for correct orifice selection for your application and altitude.

2) These items are available as drop-ship only (not stocked), where a non-cancellable order minimum and longer lead-time may apply.

Application Accessories

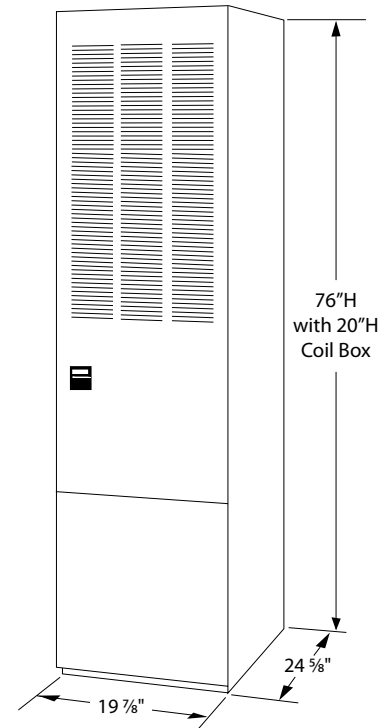
Item SKU	Item Description
901083	Backflow Damper, 1-Blade, For Pkgd AC
902095	BF Damper, 3-Blade, Pkgd AC, Low Profile
904953	3"Ø Pipe, Concentric Vent Term. Kit, US/CA
904106	2-Pipe, Vent Transition Kit (old RJ opening)
901987A	Duct Connector, 11¼"x13½"x7/8"H, EA (12/Ctn)

Item SKU	Item Description
901988A	Duct Connector, 11¼"x13½"x2"H, EA (12/Ctn)
901989A	Duct Connector, 11¼"x13½"x4¼"H, EA (6/Ctn)
901990A	Duct Connector, 11¼"x13½"x6¼"H, EA (6/Ctn)
901991A	Duct Connector, 11¼"x13½"x8¼"H, EA (4/Ctn)
901992A	Duct Connector, 11¼"x13½"x10¼"H, EA (3/Ctn)
901993A	Duct Connector, 11¼"x13½"x12¼"H, EA (3/Ctn)

Direct Vent, Dual-Pipe Specifications

Accepted Pipe Material	ANSI/ASTM Standard
Schedule 40PVC	D1785
PVC-DWV	D2665
SDR-21 & SDR-26	D2241
ABS-DWV	D2661
Schedule 40ABS	F628
Foam/Cellular Core PVC	F891
PolyPro® by Duravent	ULC-S636

Input	Max Equivalent Pipe Length	
	3"Ø In/Outlet	2"Ø In/Outlet
45 MBH	60 ft	30 ft
60 MBH	60 ft	30 ft
72 MBH	60 ft	30 ft



Venting Notes:

- Above table applies from sea level to 2,000ft. For higher elevations, decrease vent pipe lengths by 8% per 1,000ft of additional altitude.
- Subtract 3.5ft for each additional 3"-90° elbow.
- Subtract 2.5ft for each additional 2"-90° elbow.
- Two 45° elbows are equivalent to one 90° elbow.
- 1-short radius elbow is equivalent to 2-long radius elbows.
- Do not include termination elbows in vent length calculation.
- Only listed pipe materials are approved for use with MG2S furnaces.



Indoor Comfort Products Brought to You
by the Manufactured Home Experts!

South-AC AccuCharge® MC-Coil Split Systems (SEER2)



Micro-Channel Condenser

Robust Post and Jacket Design has independent louvered panels that are easily removed for service and maintenance, while protecting the coil from yard debris and extreme weather.

Micro-Channel Coils minimize refrigerant charge and cost; while mounted on a rugged, composite drain pan with damage-preventing molded steps and drainage holes, in a single competitive footprint.

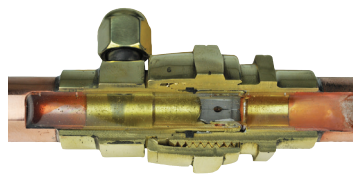
AccuCharge Systems consist of pre-charged equipment and line sets with unique, quick-connect fittings; to significantly reduce the time, personnel, and skill-set needed to install.

All DOE Regions can use these same condensers for simplified stocking approach throughout your entire distribution and installation networks.

Dependable Warranty handled directly by Style Crest's dedicated HVAC Team, offering the most competitive warranty coverage and service in the Manufactured Housing Industry.



Micro-Channel Coil



Cutaway of FitRight® Fitting



Coil Accessory Kit



Line Set with FitRight Fittings



www.stylecrestinc.com | 800.945.4440

South-AC AccuCharge® MC-Coil Split Systems (SEER2)

Nominal Tons ¹	Style Crest Item #	AHRI Model #	Cooling Capacity	SEER2	EER2	R-410A Charge	MCA	MOP	Sound
2	RSA3QE4MIRN24	RSA3QE4MIRN24K	23.4 MBH	14.3	11.7	65 Oz	12.4	20 A	75 dB
2.5	RSA3QE4MIRN30	RSA3QE4MIRN30K	28.4 MBH	14.3	11.7	71 Oz	15.7	25 A	75 dB
3	RSA3QE4MISN36	RSA3QE4MISN36K	35 MBH	14.3	11.7	66 Oz	17.2	30 A	75 dB
3.5	RSA3QE4MISN42	RSA3QE4MISN42K	39.5 MBH	14.3	11.7	81 Oz	23.5	40 A	79 dB
4	RSA3QE4MISN48	RSA3QE4MISN48K	45 MBH	13.8	11.2	80 Oz	26.2	45 A	79 dB

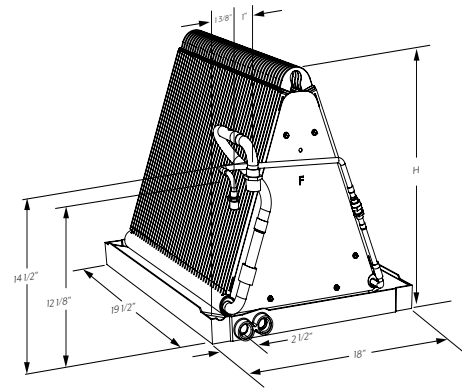
1) Refer to AHRI listings for actual capacities and performance data.

Nom. Tons ¹	Style Crest Item #	Item Width	Item Depth	Item Height	Minimum Pad Size	Liquid Line ϕ	Suction Line ϕ	Ship Width	Ship Depth	Ship Height	Ship Weight	UPC/GTIN
2	RSA3QE4MIRN24	31 3/4"	31 3/4"	29 1/4"	32" x 32"	3/8"	3/4"	35 1/2"	35 1/2"	30 3/4"	151 lbs	663132442454
2.5	RSA3QE4MIRN30	31 3/4"	31 3/4"	33 1/4"	32" x 32"	3/8"	3/4"	35 1/2"	35 1/2"	34 3/4"	160 lbs	663132442461
3	RSA3QE4MISN36	31 3/4"	31 3/4"	33 1/4"	32" x 32"	3/8"	3/4" ²	35 1/2"	35 1/2"	34 3/4"	167 lbs	663132442478
3.5	RSA3QE4MISN42	31 3/4"	31 3/4"	41 1/4"	32" x 32"	3/8"	7/8"	35 1/2"	35 1/2"	42 3/4"	204 lbs	663132442485
4	RSA3QE4MISN48	31 3/4"	31 3/4"	41 1/4"	32" x 32"	3/8"	7/8"	35 1/2"	35 1/2"	42 3/4"	205 lbs	663132442492

2) Line set vapor line increases to 7/8" over 24 ft equivalent length.

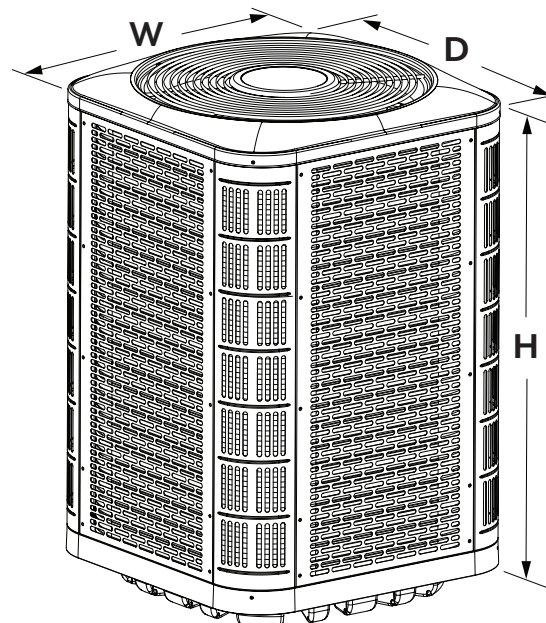
Micro-Channel Indoor (Evaporator) Coil Matches with TXV

Nom. Tons ¹	Condenser Item #	Indoor Coil Item #	AHRI Cert. #	Coil Height	Min. Coil Box Ht.
2	RSA3QE4MIRN24	C84QAMX24U-B	208404148	18"	20"
2.5	RSA3QE4MIRN30	C84QAMX30U-B	208404149	18"	20"
3	RSA3QE4MISN36	C84QAMX36U-B	208404152	18"	20"
3.5	RSA3QE4MISN42	C84QAMX42U-B	208404150	18"	20"
4	RSA3QE4MISN48	C84QAMX48U-B	208404151	25"	26"



AccuCharge R-410A Line Sets

Line Set Item #	Line Length	Liquid Line ϕ	Suction Line ϕ	Suction Insul.
4463Q1531	15 ft	3/8"	3/4"	3/8"
4463Q2031	20 ft	3/8"	3/4"	3/8"
4463Q2531	25 ft	3/8"	3/4"	3/8"
4463Q3031	30 ft	3/8"	3/4"	3/8"
4463Q4031	40 ft	3/8"	3/4"	3/8"
4463Q5031	50 ft	3/8"	3/4"	3/8"
4473Q1531	15 ft	3/8"	7/8"	3/8"
4473Q2031	20 ft	3/8"	7/8"	3/8"
4473Q2531	25 ft	3/8"	7/8"	3/8"
4473Q3031	30 ft	3/8"	7/8"	3/8"
4473Q4031	40 ft	3/8"	7/8"	3/8"
4473Q5031	50 ft	3/8"	7/8"	3/8"
4473Q7031	70 ft	3/8"	7/8"	3/8"



Note: A furnace blower upgrade and/or time delay relay-TDR may be required to achieve the published AHRI-rated performance.