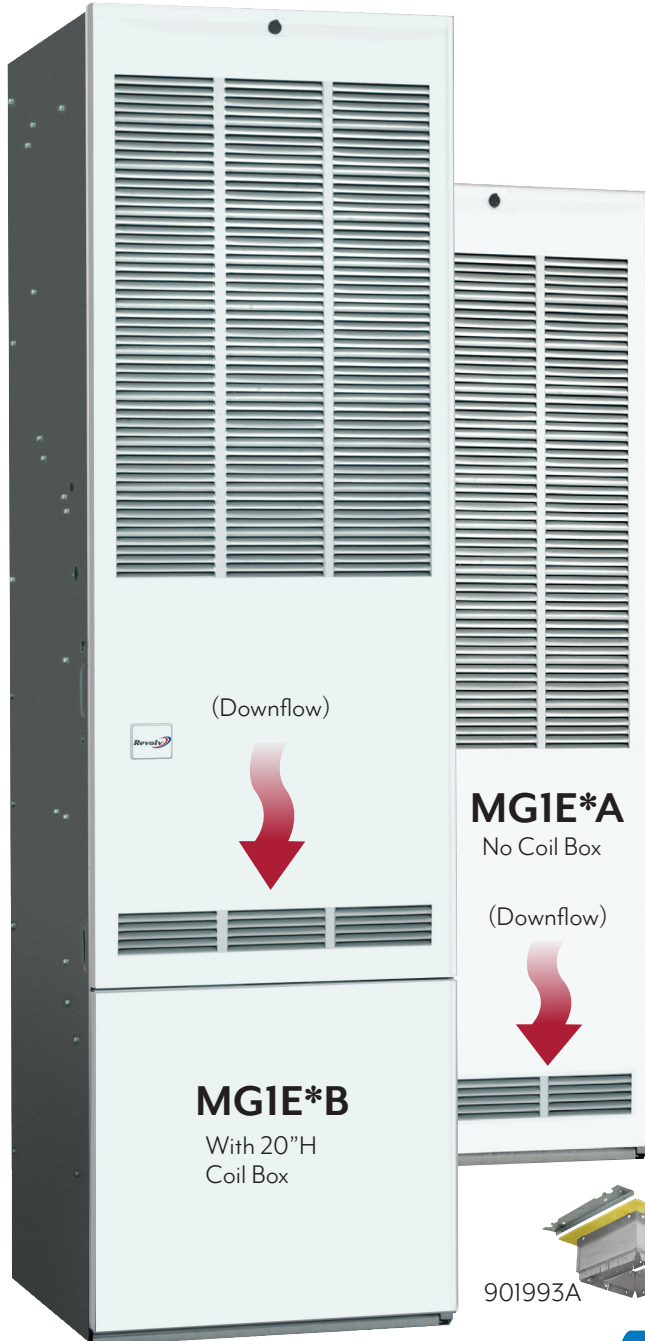




Indoor Comfort Products Brought to You  
by the Manufactured Home Experts!

## MG1E 80% AFUE Downflow MH Gas Furnaces



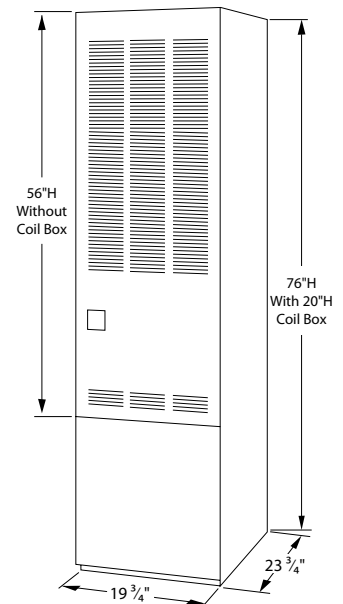
**Unique Manufactured Housing Design** with a robust, 19<sup>3</sup>/<sub>4</sub>"W, fully-insulated cabinet to fit the standard MH footprint; the MG1E is our most economical, HUD-compliant, gas furnace.

**AC-Ready 4-Ton ECM Blower** with 5-speed taps, with/without a factory-installed 20"H coil box; allowing for a field-installed 20"/26"H coil box to suit your capacity and access needs. (See Split sell sheets for AHRI-rated coil-fit matches.)

**Quick LP Conversion** with an easy-access inducer assembly and gas valve, using the factory-provided LP orifice included with the unit-literature kit.

**Numerous Application Accessories** save the hassle of field-fabrication, sourcing and repeat supply-house trips; on new or replacement jobs.

**Dependable Warranty and Support**, handled directly by Style Crest's dedicated HVAC Team, offering the most competitive warranty coverage and service in the Manufactured Housing Industry.



This furnace does not meet the SCAQMD Rule IIII NO<sub>x</sub> emission limit (14 ng/J), and is subject to a mitigation fee of up to \$450. This furnace is not eligible for the Clean Air Furnace Rebate Program: [www.CleanAirFurnaceRebate.com](http://www.CleanAirFurnaceRebate.com).



[www.stylecrestinc.com](http://www.stylecrestinc.com) | 800.945.4440

# MGIE 80% AFUE Downflow MH Gas Furnaces

Style Crest Item #	Model Number	AHRI Cert. #	Coil Box	Input	Heating Capacity	Ship L	Ship W	Ship H	Ship Wt.	Orifice <sup>2</sup>		AC Blower
										NG	LP	
MGIE-056A	MGIE-056FIAAMI	204235984	No, Optional <sup>1</sup>	56 MBH	46 MBH	26 1/2"	21 5/16"	58 1/8"	157#	29	45	4-Tons
MGIE-070A	MGIE-070FIAAMI	204235986	No, Optional <sup>1</sup>	70 MBH	57 MBH	26 1/2"	21 5/16"	58 1/8"	157#	24	42	4-Tons
MGIE-077A	MGIE-077FIAAMI	204235988	No, Optional <sup>1</sup>	77 MBH	62 MBH	26 1/2"	21 5/16"	58 1/8"	157#	21	40	4-Tons
MGIE-090A	MGIE-090FIAAMI	204541469	No, Optional <sup>1</sup>	85 MBH	67 MBH	26 1/2"	21 5/16"	58 1/8"	157#	17	36	4-Tons
MGIE-056B	MGIE-056FIABMI	204235984	Yes, 20"H	56 MBH	46 MBH	26 1/2"	21 5/16"	78 1/8"	171#	29	45	4-Tons
MGIE-070B	MGIE-070FIABMI	204235986	Yes, 20"H	70 MBH	57 MBH	26 1/2"	21 5/16"	78 1/8"	171#	24	42	4-Tons
MGIE-077B	MGIE-077FIABMI	204235988	Yes, 20"H	77 MBH	62 MBH	26 1/2"	21 5/16"	78 1/8"	171#	21	40	4-Tons
MGIE-090B	MGIE-090FIABMI	204541469	Yes, 20"H	85 MBH	67 MBH	26 1/2"	21 5/16"	78 1/8"	171#	17	36	4-Tons

1) If adding a central air split system, you must also order a separate field-installed coil box, listed in the Application Accessories table below.

2) Orifice will vary with altitude; consult the unit installation instructions for correct orifice selection for your application and altitude.

## Roof Jack Accessories

Total Pitch with RJ Pitch		Roof Wedge			
0"↑x 12"→	2 1/2"↑x 12"→	SKU	Qty	Pitch	X-Value
2"↑x 12"→	4 1/2"↑x 12"→	903893	1 (4/Ctn)	2 1/2"↑x 12"→	2 1/8"
2 1/2"↑x 12"→	5"↑x 12"→			2 1/2"	
3"↑x 12"→	5 1/2"↑x 12"→	903894	1 (4/Ctn)	3"↑x 12"→	2 7/8"
3 1/2"↑x 12"→	6"↑x 12"→			3 1/4"	
4"↑x 12"→	6 1/2"↑x 12"→	903895	1 (2/Ctn)	4"↑x 12"→	3 5/8"

**Roof Jack Length Range**  
 0"↑x 12"→ RJ SKU 903658  
 2 1/2"↑x 12"→ RJ SKU 903659  
 4"↑x 12"→ RJ SKU 903660

•"A"+"B"+"X" = Roof Jack Length.  
 •"X" is included only if a wedge is used, see (above) table for "X" Value.  
 •"A" = Roof Height - Ceiling Height.  
 •"B" = Ceiling Height - Furnace Height.  
 •Measure with respect to RJ center-line.  
 •The calculated Roof Jack Length must be within the "Range" (table-left).  
 •0/12 Flashing flexes from 0/12 to 1/12.  
 •2 1/2/12 Flashing flexes from 1/12 to 4/12.  
 •4/12 Flashing flexes from 3/12 to 5/12.

## Application Accessories

Item SKU	Item Description
911969A	Coil Box, 20"H, Field-Installed, Central Air
922594	Coil Box, 26"H, Field-Installed, Central Air
901083	Backflow Damper, 1-Blade, PkgAC, Empty Box
902095	Backflow Damper, 3-Blade, PkgAC, Low Profile
901935	Roof Jack Extension, 10"H, Internal
903107	Roof Jack Extension, 18"H, Internal
901937	Roof Jack Extension, 16"H, External
903656	Roof Jack, Crown-Only (Post-Transit)

Item SKU	Item Description
902521	Ceiling Ring-Halves, Adjustable, 2-Pieces
901987A	Duct Connector, 1 1/4"x1 3/2"x7/8"H, EA (12/Ctn)
901988A	Duct Connector, 1 1/4"x1 3/2"x2"H, EA (12/Ctn)
901989A	Duct Connector, 1 1/4"x1 3/2"x4 1/4"H, EA (6/Ctn)
901990A	Duct Connector, 1 1/4"x1 3/2"x6 1/4"H, EA (6/Ctn)
901991A	Duct Connector, 1 1/4"x1 3/2"x8 1/4"H, EA (4/Ctn)
901992A	Duct Connector, 1 1/4"x1 3/2"x10 1/4"H, EA (3/Ctn)
901993A	Duct Connector, 1 1/4"x1 3/2"x12 1/4"H, EA (3/Ctn)



Indoor Comfort Products Brought to You  
by the Manufactured Home Experts!

## South-AC AccuCharge® MC-Coil Split Systems (SEER2)



Micro-Channel Condenser

**Robust Post and Jacket Design** has independent louvered panels that are easily removed for service and maintenance, while protecting the coil from yard debris and extreme weather.

**Micro-Channel Coils** minimize refrigerant charge and cost; while mounted on a rugged, composite drain pan with damage-preventing molded steps and drainage holes, in a single competitive footprint.

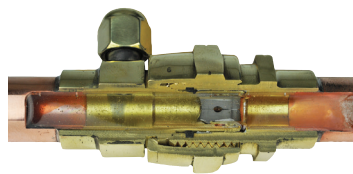
**AccuCharge Systems** consist of pre-charged equipment and line sets with unique, quick-connect fittings; to significantly reduce the time, personnel, and skill-set needed to install.

**All DOE Regions** can use these same condensers for simplified stocking approach throughout your entire distribution and installation networks.

**Dependable Warranty** handled directly by Style Crest's dedicated HVAC Team, offering the most competitive warranty coverage and service in the Manufactured Housing Industry.



Micro-Channel Coil



Cutaway of FitRight® Fitting



Coil Accessory Kit



Line Set with FitRight Fittings



[www.stylecrestinc.com](http://www.stylecrestinc.com) | 800.945.4440



# South-AC AccuCharge® MC-Coil Split Systems (SEER2)

Nominal Tons <sup>1</sup>	Style Crest Item #	AHRI Model #	Cooling Capacity	SEER2	EER2	R-410A Charge	MCA	MOP	Sound
2	RSA3QE4MIRN24	RSA3QE4MIRN24K	23.4 MBH	14.3	11.7	65 Oz	12.4	<b>20 A</b>	75 dB
2.5	RSA3QE4MIRN30	RSA3QE4MIRN30K	28.4 MBH	14.3	11.7	71 Oz	15.7	<b>25 A</b>	75 dB
3	RSA3QE4MISN36	RSA3QE4MISN36K	35 MBH	14.3	11.7	66 Oz	17.2	30 A	75 dB
3.5	RSA3QE4MISN42	RSA3QE4MISN42K	39.5 MBH	14.3	11.7	81 Oz	23.5	40 A	79 dB
4	RSA3QE4MISN48	RSA3QE4MISN48K	45 MBH	13.8	11.2	80 Oz	26.2	45 A	79 dB

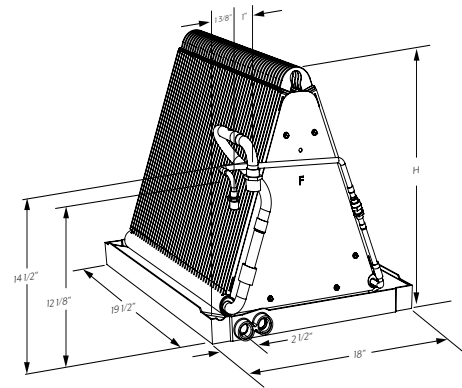
1) Refer to AHRI listings for actual capacities and performance data.

Nom. Tons <sup>1</sup>	Style Crest Item #	Item Width	Item Depth	Item Height	Minimum Pad Size	Liquid Line $\phi$	Suction Line $\phi$	Ship Width	Ship Depth	Ship Height	Ship Weight	UPC/GTIN
2	RSA3QE4MIRN24	31 3/4"	31 3/4"	29 1/4"	32" x 32"	3/8"	3/4"	35 1/2"	35 1/2"	30 3/4"	151 lbs	663132442454
2.5	RSA3QE4MIRN30	31 3/4"	31 3/4"	33 1/4"	32" x 32"	3/8"	3/4"	35 1/2"	35 1/2"	34 3/4"	160 lbs	663132442461
3	RSA3QE4MISN36	31 3/4"	31 3/4"	33 1/4"	32" x 32"	3/8"	3/4" <sup>2</sup>	35 1/2"	35 1/2"	34 3/4"	167 lbs	663132442478
3.5	RSA3QE4MISN42	31 3/4"	31 3/4"	41 1/4"	32" x 32"	3/8"	7/8"	35 1/2"	35 1/2"	42 3/4"	204 lbs	663132442485
4	RSA3QE4MISN48	31 3/4"	31 3/4"	41 1/4"	32" x 32"	3/8"	7/8"	35 1/2"	35 1/2"	42 3/4"	205 lbs	663132442492

2) Line set vapor line increases to 7/8" over 24 ft equivalent length.

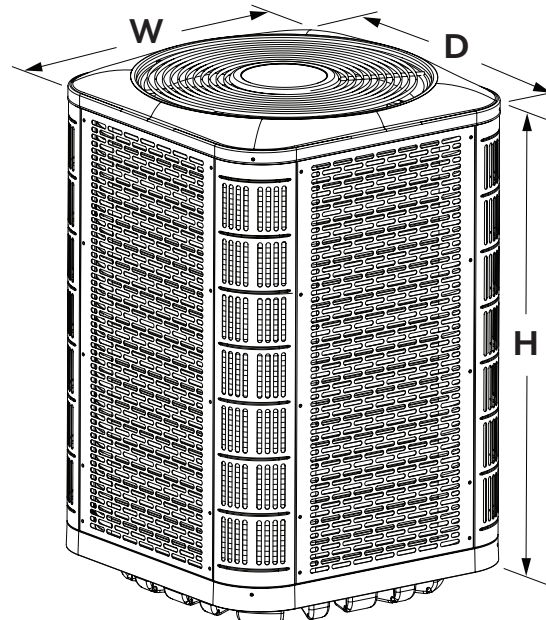
## Micro-Channel Indoor (Evaporator) Coil Matches with TXV

Nom. Tons <sup>1</sup>	Condenser Item #	Indoor Coil Item #	AHRI Cert. #	Coil Height	Min. Coil Box Ht.
2	RSA3QE4MIRN24	C84QAMX24U-B	208404148	18"	20"
2.5	RSA3QE4MIRN30	C84QAMX30U-B	208404149	18"	20"
3	RSA3QE4MISN36	C84QAMX36U-B	208404152	18"	20"
3.5	RSA3QE4MISN42	C84QAMX42U-B	208404150	18"	20"
4	RSA3QE4MISN48	C84QAMX48U-B	208404151	25"	26"



## AccuCharge R-410A Line Sets

Line Set Item #	Line Length	Liquid Line $\phi$	Suction Line $\phi$	Suction Insul.
4463Q1531	15 ft	3/8"	3/4"	3/8"
4463Q2031	20 ft	3/8"	3/4"	3/8"
4463Q2531	25 ft	3/8"	3/4"	3/8"
4463Q3031	30 ft	3/8"	3/4"	3/8"
4463Q4031	40 ft	3/8"	3/4"	3/8"
4463Q5031	50 ft	3/8"	3/4"	3/8"
4473Q1531	15 ft	3/8"	7/8"	3/8"
4473Q2031	20 ft	3/8"	7/8"	3/8"
4473Q2531	25 ft	3/8"	7/8"	3/8"
4473Q3031	30 ft	3/8"	7/8"	3/8"
4473Q4031	40 ft	3/8"	7/8"	3/8"
4473Q5031	50 ft	3/8"	7/8"	3/8"
4473Q7031	70 ft	3/8"	7/8"	3/8"



Note: A furnace blower upgrade and/or time delay relay-TDR may be required to achieve the published AHRI-rated performance.