



Indoor Comfort Products Brought to You
by the Manufactured Home Experts!

E7 100% AFUE MH Electric Furnaces



Unique Manufactured Housing Design with a robust, 20" W, fully-insulated cabinet to fit the classic MH footprint for replacement opportunities; the E7EM is our most versatile, HUD-compliant, electric furnace.

AC-Ready 4-Ton ECM Blower (5-Ton upgrade available) with 16 dip-switch speed-settings, and a factory or field-installed 31½" H coil box to support increasing coil sizes, necessary to reach higher capacities and DOE minimum-efficiencies.

Modern Controls include quiet heater relays and a printed circuit board that eliminates the need for an additional (central air) time delay relay.

Numerous Application Accessories save the hassle of field-fabrication, sourcing and repeat supply-house trips; on new or replacement jobs.

Dependable Warranty and Support, handled directly by Style Crest's dedicated HVAC Team, offering the most competitive warranty coverage and service in the Manufactured Housing Industry.



www.stylecrestinc.com | 800.945.4440

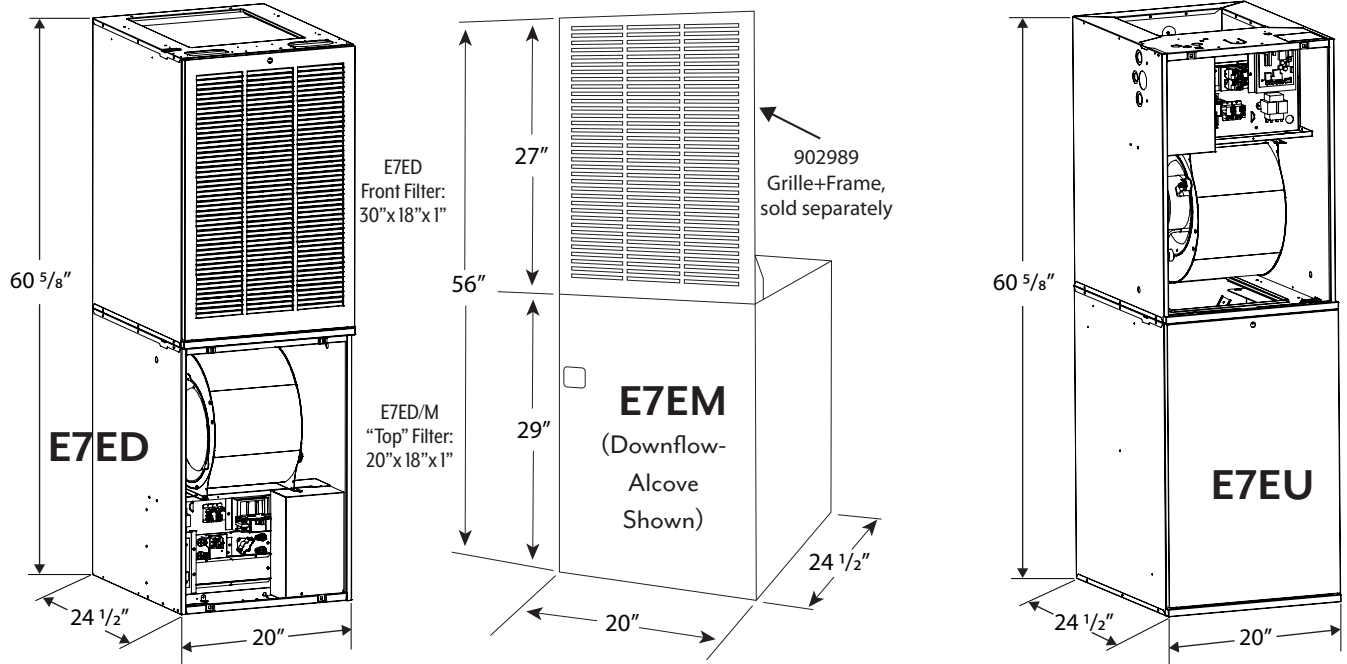
E7 100% AFUE MH Electric Furnaces

SKUs: Downflow w/ 31½" H Coil Box		
E7ED-010	E7ED-015	E7ED-020
E7ED-012	E7ED-017	E7ED-023
Ships: 26½" L x 21" W x 62" H @ 112 lbs		

SKUs: Up/Downflow, No Coil Box ¹		
E7EM-010	E7EM-015	E7EM-020
E7EM-012	E7EM-017	E7EM-023
E7EM-0235 (5-Ton Blower)		
Ships: 26½" L x 21" W x 30" H @ 75 lbs		

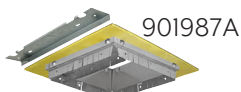
SKUs: Upflow w/ 31½" H Coil Box		
E7EU-010	E7EU-015	E7EU-020
E7EU-012	E7EU-017	E7EU-023
Ships: 26½" L x 21" W x 62" H @ 112 lbs		

1) If adding a central air split system, you should also order a separate field-installed coil box, listed in the Application Accessories table below.



Application Accessories

SKU	Item Description
1006731	E7EM, Coil Box, 31½" H, DF, Louvered Door
1006730	E7EM, Coil Box, 31½" H, Upflow, Solid Door
903891	E7EM, Repl. Coil Box, Alcove, 27" H, FrontRet
902989	E7EM, Grille+Frame Assembly, Alcove, 27" H
1014501	E7EU/M, Upflow Stand w/ Filters & Door
902990	E7EU/M, Upflow Supply Duct Connector
921767	Test Tool, Digimotor-ECMs, Broad Ocean
1027059	E7, 5-Ton (AC) ECM Blower Upgrade Kit
901987A	Duct Connector, 11¼" x 13½" x 7/8" H, EA (12/Ctn)
901988A	Duct Connector, 11¼" x 13½" x 2" H, EA (12/Ctn)
901989A	Duct Connector, 11¼" x 13½" x 4¼" H, EA (6/Ctn)
901990A	Duct Connector, 11¼" x 13½" x 6¼" H, EA (6/Ctn)
901991A	Duct Connector, 11¼" x 13½" x 8¼" H, EA (4/Ctn)
901992A	Duct Connector, 11¼" x 13½" x 10¼" H, EA (3/Ctn)
901993A	Duct Connector, 11¼" x 13½" x 12¼" H, EA (3/Ctn)



Electrical Specifications

Model	Htr Bnks	Heating Output@240V	Supply Circuit(s)	Total Current	MCA	MOP
E7*10*	2	10.0 kW	35 MBH	Single	45.3 A	57 A 60 A
				Single	51.6 A	65 A 70 A
E7*12*	2	11.6 kW	41 MBH	Dual-A	27.8 A	35 A 35 A
				Dual-B	24.2 A	30 A 35 A
E7*15*	3	15.0 kW	53 MBH	Single	66.1 A	83 A 90 A
				Dual-A	45.3 A	57 A 60 A
E7*17*	3	16.2 kW	57 MBH	Dual-B	20.8 A	26 A 30 A
				Single	71.1 A	89 A 90 A
E7*20*	4	20.0 kW	70 MBH	Dual-A	45.0 A	56 A 60 A
				Dual-B	26.1 A	33 A 35 A
E7*23*	4	21.6 kW	75 MBH	Single	86.9 A	109 A 110 A
				Dual-A	45.3 A	57 A 60 A
E7*23*	4	21.6 kW	75 MBH	Dual-B	41.7 A	52 A 60 A
				Single	93.6 A	117 A 125 A
E7*23*	4	21.6 kW	75 MBH	Dual-A	45.3 A	57 A 60 A
				Dual-B	48.0 A	60 A 60 A



Indoor Comfort Products Brought to You
by the Manufactured Home Experts!

South-AC AccuCharge® MC-Coil Split Systems (SEER2)



Micro-Channel Condenser

Robust Post and Jacket Design has independent louvered panels that are easily removed for service and maintenance, while protecting the coil from yard debris and extreme weather.

Micro-Channel Coils minimize refrigerant charge and cost; while mounted on a rugged, composite drain pan with damage-preventing molded steps and drainage holes, in a single competitive footprint.

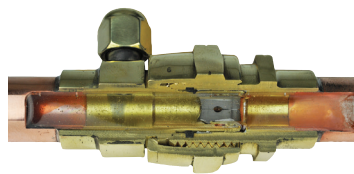
AccuCharge Systems consist of pre-charged equipment and line sets with unique, quick-connect fittings; to significantly reduce the time, personnel, and skill-set needed to install.

All DOE Regions can use these same condensers for simplified stocking approach throughout your entire distribution and installation networks.

Dependable Warranty handled directly by Style Crest's dedicated HVAC Team, offering the most competitive warranty coverage and service in the Manufactured Housing Industry.



Micro-Channel Coil



Cutaway of FitRight® Fitting



Coil Accessory Kit



Line Set with FitRight Fittings



www.stylecrestinc.com | 800.945.4440

South-AC AccuCharge® MC-Coil Split Systems (SEER2)

Nominal Tons ¹	Style Crest Item #	AHRI Model #	Cooling Capacity	SEER2	EER2	R-410A Charge	MCA	MOP	Sound
2	RSA3QE4MIRN24	RSA3QE4MIRN24K	23.4 MBH	14.3	11.7	65 Oz	12.4	20 A	75 dB
2.5	RSA3QE4MIRN30	RSA3QE4MIRN30K	28.4 MBH	14.3	11.7	71 Oz	15.7	25 A	75 dB
3	RSA3QE4MISN36	RSA3QE4MISN36K	35 MBH	14.3	11.7	66 Oz	17.2	30 A	75 dB
3.5	RSA3QE4MISN42	RSA3QE4MISN42K	39.5 MBH	14.3	11.7	81 Oz	23.5	40 A	79 dB
4	RSA3QE4MISN48	RSA3QE4MISN48K	45 MBH	13.8	11.2	80 Oz	26.2	45 A	79 dB

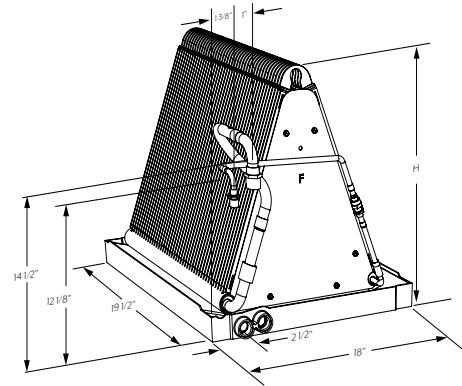
1) Refer to AHRI listings for actual capacities and performance data.

Nom. Tons ¹	Style Crest Item #	Item Width	Item Depth	Item Height	Minimum Pad Size	Liquid Line ϕ	Suction Line ϕ	Ship Width	Ship Depth	Ship Height	Ship Weight	UPC/GTIN
2	RSA3QE4MIRN24	31 3/4"	31 3/4"	29 1/4"	32" x 32"	3/8"	3/4"	35 1/2"	35 1/2"	30 3/4"	151 lbs	663132442454
2.5	RSA3QE4MIRN30	31 3/4"	31 3/4"	33 1/4"	32" x 32"	3/8"	3/4"	35 1/2"	35 1/2"	34 3/4"	160 lbs	663132442461
3	RSA3QE4MISN36	31 3/4"	31 3/4"	33 1/4"	32" x 32"	3/8"	3/4" ²	35 1/2"	35 1/2"	34 3/4"	167 lbs	663132442478
3.5	RSA3QE4MISN42	31 3/4"	31 3/4"	41 1/4"	32" x 32"	3/8"	7/8"	35 1/2"	35 1/2"	42 3/4"	204 lbs	663132442485
4	RSA3QE4MISN48	31 3/4"	31 3/4"	41 1/4"	32" x 32"	3/8"	7/8"	35 1/2"	35 1/2"	42 3/4"	205 lbs	663132442492

2) Line set vapor line increases to 7/8" over 24 ft equivalent length.

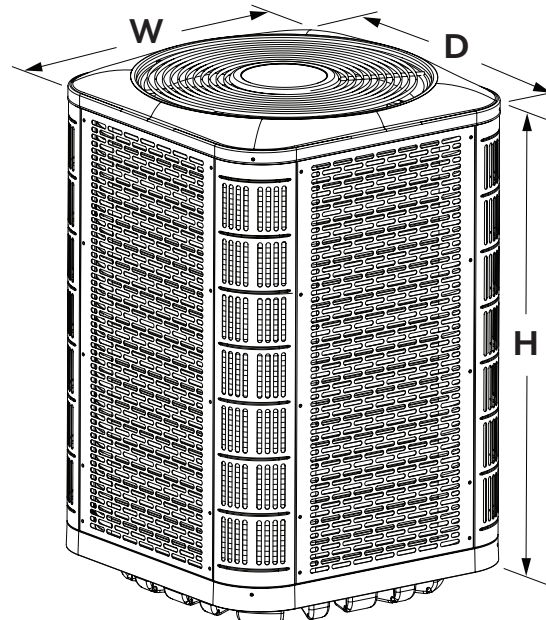
Micro-Channel Indoor (Evaporator) Coil Matches with TXV

Nom. Tons ¹	Condenser Item #	Indoor Coil Item #	AHRI Cert. #	Coil Height	Min. Coil Box Ht.
2	RSA3QE4MIRN24	C84QAMX24U-B	208404148	18"	20"
2.5	RSA3QE4MIRN30	C84QAMX30U-B	208404149	18"	20"
3	RSA3QE4MISN36	C84QAMX36U-B	208404152	18"	20"
3.5	RSA3QE4MISN42	C84QAMX42U-B	208404150	18"	20"
4	RSA3QE4MISN48	C84QAMX48U-B	208404151	25"	26"



AccuCharge R-410A Line Sets

Line Set Item #	Line Length	Liquid Line ϕ	Suction Line ϕ	Suction Insul.
4463Q1531	15 ft	3/8"	3/4"	3/8"
4463Q2031	20 ft	3/8"	3/4"	3/8"
4463Q2531	25 ft	3/8"	3/4"	3/8"
4463Q3031	30 ft	3/8"	3/4"	3/8"
4463Q4031	40 ft	3/8"	3/4"	3/8"
4463Q5031	50 ft	3/8"	3/4"	3/8"
4473Q1531	15 ft	3/8"	7/8"	3/8"
4473Q2031	20 ft	3/8"	7/8"	3/8"
4473Q2531	25 ft	3/8"	7/8"	3/8"
4473Q3031	30 ft	3/8"	7/8"	3/8"
4473Q4031	40 ft	3/8"	7/8"	3/8"
4473Q5031	50 ft	3/8"	7/8"	3/8"
4473Q7031	70 ft	3/8"	7/8"	3/8"



Note: A furnace blower upgrade and/or time delay relay-TDR may be required to achieve the published AHRI-rated performance.