

MG2S Series

High Efficiency / Direct Vent Downflow 2-Stage Gas Furnace with Fixed Speed Blower

Induced Draft - 96% AFUE
Input 45,000 thru 72,000 Btuh

The high efficiency downflow gas furnace is especially designed for manufactured and modular housing. It may be installed in a utility room, or enclosed in a closet. ITS design certified for use in the United States and Canada.



Front Return
Models

Top Return
Models

FEATURES and BENEFITS

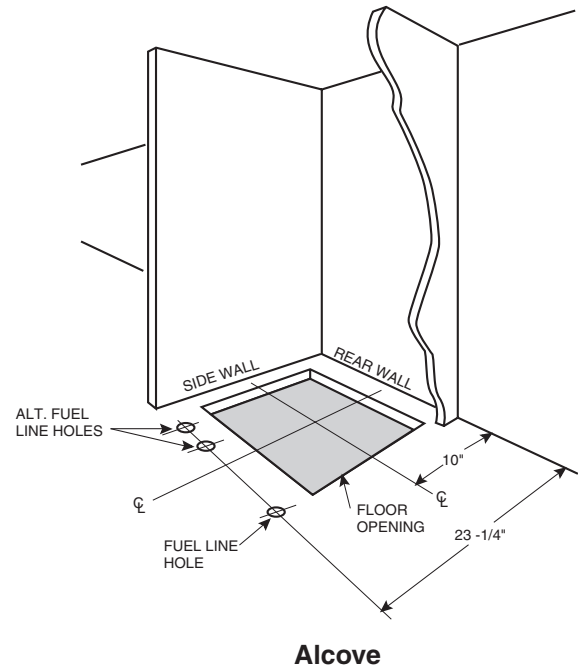
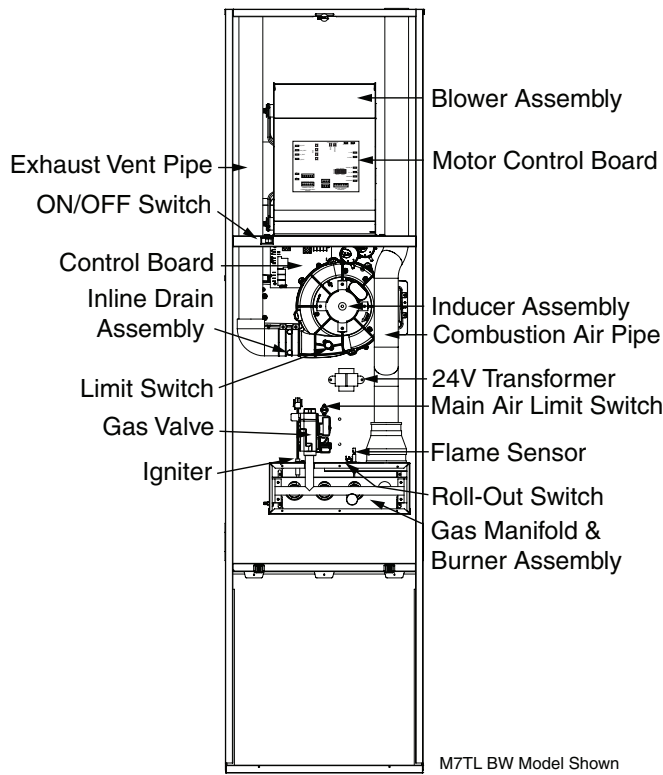
- **ECM blower:** Designed to give a wide range of cooling and heating airflows.
- **2 Stage gas valve:** Provides 2-stage thermostat control.
- **2 Stage inducer:** Optimizes efficiency on first stage heat and reduces sound levels.
- **100% fired and tested:** All units and each component (both mechanical and electrical) are tested on the manufacturing line.
- **Clean and quiet operation:** Due to the unique design of in-shot burners, location of inducer and use of insulation.
- **Fixed 30 second blower delay:** At burner start-up assures a warm outlet air temperature at furnace start-up. Adjustable blower off settings (60, 90, 120 and 180 seconds).
- **Fixed 30-second post purge:** Increases life of heat exchanger.
- **Dependable, hot surface ignitor:** Innovative application of silicon nitride type igniter. Utilizes proven Smartlite® technology.
- **Tubular primary heat exchanger:** Heavy gauge aluminized steel heat exchanger assures a long life.
- **Stainless steel secondary heat exchanger:** Assures a long life.
- **60 second fixed cooling cycle blower-off delay (TDR):** Increases cooling performance when matched with an approved coil.
- **Sealed combustion approved for direct vent furnace, category IV venting system:** May be vertically or horizontally vented using a two-pipe system for maximum flexibility in installation.
- **LP convertible:** Simple burner orifices and gas valve regulator change for ease of convertibility.
- **3 amp fuse protection against low voltage shorts:** Protects transformer and control board.
- **Low voltage terminal board:** For easy field wiring.
- **Easy open pawl latch:** Secures the door firmly for transit, yet allows easy removal for access.
- **Appliance quality door:** Protects against rust and other corrosion. Baked enamel finish allows for easy cleaning.
- **Fully insulated cabinet:** Insures minimized heat loss and quiet operation.
- **Color coded wire harness:** Designed to fit the components, all with quick-connect fittings for ease of service and replacement.
- **40VA transformer included.**
- **Diagnostic lights for easy troubleshooting without counting flashes:** Dedicated light for flame signal strength and 2 lights in combination to indicate all other fault codes with easy to recognize states without counting flashes.

Note: The MG2S will fit in the same footprint, use the same duct connector, and allow for direct substitution in place of the M7 furnace.

FEATURES

High Efficiency Downflow 96% AFUE Gas Furnace

Downflow Furnace



SPECIFICATIONS

| MG2S MODEL NUMBERS: | 045 | 060 | 072 |
|-----------------------------|-------------------|---------------|---------------|
| Input (BTUH)* | 45,000/29,000 | 60,000/39,000 | 72,000/47,000 |
| Heating Capacity (BTUH) | 43,200/27,840 | 57,600/37,440 | 69,120/45,120 |
| AFUE (%) | 96 | 96 | 96 |
| Supply Voltage | 115V/60Hz/1 Phase | | |
| Blower D x W (in.) | 11 x 8 | 11 x 8 | 11 x 8 |
| Motor HP | 3/4 | 3/4 | 3/4 |
| Motor FLA (Amps) | 8.4 | 8.4 | 8.4 |
| Rated Ext. SP (in. WC) | 0.3 | 0.3 | 0.3 |
| Temperature Rise Range (°F) | 30-60 | 30-60 | 35-65 |
| Max Amps | 11.7 | 11.7 | 11.7 |
| Fuse or Breaker (Amps) | 15 | 15 | 15 |

Shipping Weights

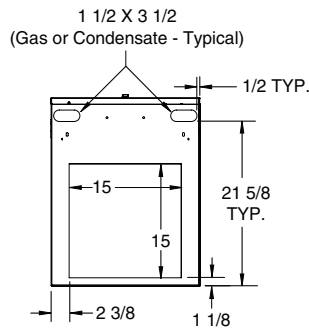
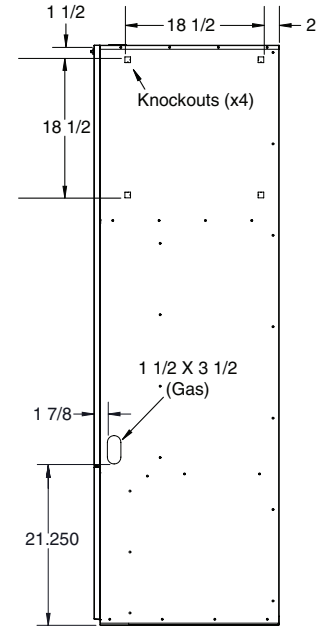
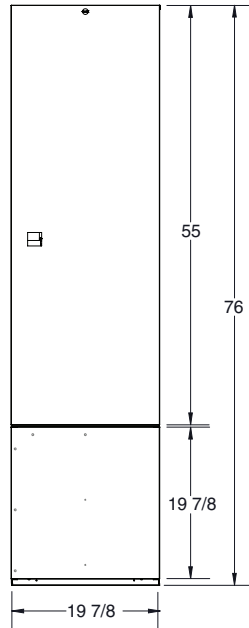
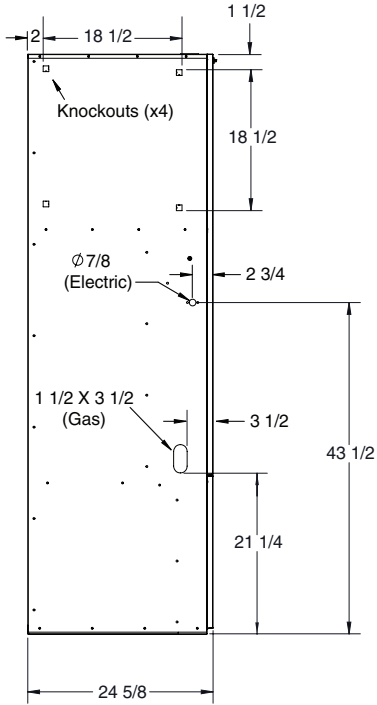
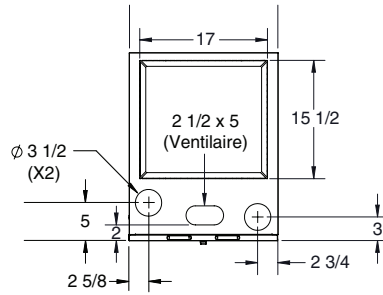
| Furnace Model | Shipping Weight (lbs) | Unit Weight (lbs) |
|---------------|-----------------------|-------------------|
| MG2S 045 | 179 | 177 |
| MG2S 060 | 179 | 177 |
| MG2S 072 | 186 | 184 |

Shipping Dimensions (inches)

| Furnace Model | Length | Width | Height |
|---------------|--------|-------|--------|
| MG2S 045 | 26.5 | 21.5 | 78.0 |
| MG2S 060 | 26.5 | 21.5 | 78.0 |
| MG2S 072 | 26.5 | 21.5 | 78.0 |

Note: Gas Connections are 1/2" NPT. AFUE = Annual Fuel Utilization Efficiency
 * Ratings to 2,000 ft. Over 2,000 ft. reduce 4% for each 1,000 ft. above sea level.

DIMENSIONS



| ALL MODELS | CLOSET | ALCOVE |
|------------------------------|--------|--------|
| | Inches | Inches |
| Front | 1* | 1* |
| Back | 0 | 0 |
| Sides | 0 | 0 |
| Vent | 0 | 0 |
| Top | 6 | 6 |
| Duct (Plenum) w/ Coil Box | 0 | 0 |
| w/o Coil Box (within 3 feet) | 1/4 | 1/4 |

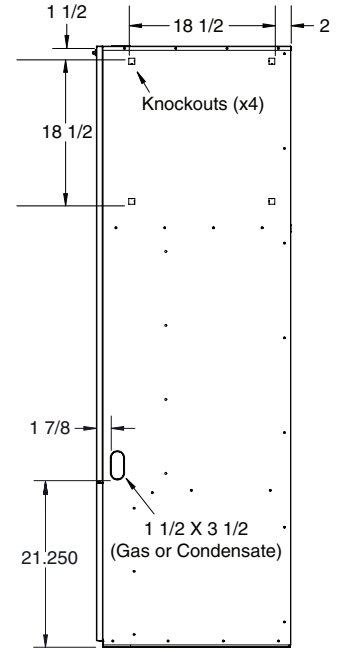
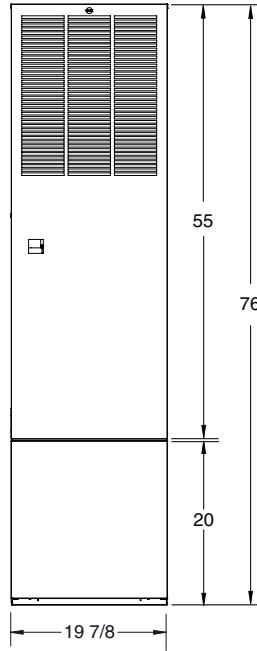
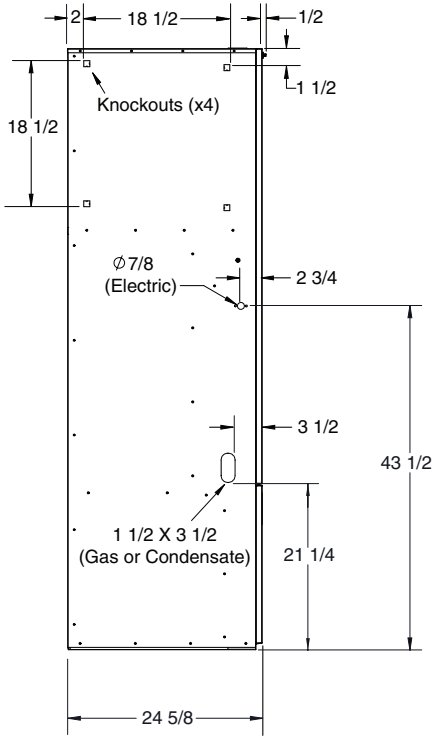
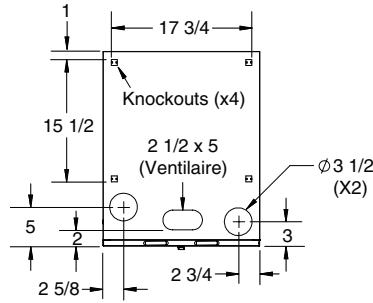
*Note: For 1" clearance, use a fully louvered door with at least 400 square inches of free airflow area.

Minimum Clearances

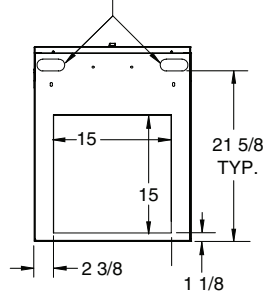
MG2S Top Return Models

DIMENSIONS

BW Top



1 1/2 X 3 1/2
(Gas, Condensate, or Linesets - Typical)



| ALL MODELS | CLOSET | ALCOVE |
|------------------------------|--------|--------|
| | Inches | Inches |
| Front | 1* | 1* |
| Back | 0 | 0 |
| Sides | 0 | 0 |
| Vent | 0 | 0 |
| Top | 6 | 6 |
| Duct (Plenum) w/ Coil Box | 0 | 0 |
| w/o Coil Box (within 3 feet) | 1/4 | 1/4 |

*Note: For 1" clearance, use a fully louvered door with at least 400 square inches of free airflow area.

Minimum Clearances

MG2S Front Return Models

BLOWER PERFORMANCE - Front Return

| MODEL NUMBER | MOTOR SWITCH SETTINGS (0 =OFF,1 =ON) | | | | COOLING | | | | HEATING | | | | | | | |
|--------------|---|-----|-----|------|------------------------------------|------|------|------|------------------------------------|------|------|------|------|------|------|------|
| | | | | | EXTERNAL STATIC PRESSURE (IN.W.C.) | | | | EXTERNAL STATIC PRESSURE (IN.W.C.) | | | | | | | |
| | | | | | 0.2 | 0.3 | 0.4 | 0.5 | 0.2 | | 0.3 | | 0.4 | | 0.5 | |
| | 1/5 | 2/6 | 3/7 | 4/8 | CFM | CFM | CFM | CFM | CFM | RISE | CFM | RISE | CFM | RISE | CFM | RISE |
| MG2S-045F* | 0 | 0 | 0 | 0 | 913 | 868 | 841 | 795 | 913 | 44 | 868 | 46 | 841 | 48 | 795 | 50 |
| | 1 | 0 | 0 | 0 | 965 | 944 | 886 | 848 | 965 | 41 | 944 | 42 | 886 | 45 | 848 | 47 |
| | 0 | 1 | 0 | 0 | 1037 | 1000 | 973 | 933 | 1037 | 39 | 1000 | 40 | 973 | 41 | 933 | 43 |
| | 1 | 1 | 0 | 0 | 1112 | 1079 | 1047 | 1012 | 1112 | 36 | 1079 | 37 | 1047 | 38 | 1012 | 40 |
| | 0 | 0 | 1 | 0 | 1185 | 1155 | 1118 | 1082 | 1185 | 34 | 1155 | 35 | 1118 | 36 | 1082 | 37 |
| | 1 | 0 | 1 | 0 | 1256 | 1216 | 1180 | 1151 | 1256 | 32 | 1216 | 33 | 1180 | 34 | 1151 | 35 |
| | 0 | 1 | 1 | 0 | 1289 | 1258 | 1222 | 1186 | 1289 | 31 | 1258 | 32 | 1222 | 33 | 1186 | 34 |
| | 1 | 1 | 1 | 0 | 1354 | 1319 | 1283 | 1247 | 1354 | 30 | 1319 | 30 | 1283 | 31 | 1247 | 32 |
| | 0 | 0 | 0 | 1 | 1396 | 1366 | 1331 | 1299 | | | | | | | | |
| | 1 | 0 | 0 | 1 | 1442 | 1411 | 1379 | 1351 | | | | | | | | |
| | 0 | 1 | 0 | 1 | 1485 | 1451 | 1421 | 1388 | | | | | | | | |
| | 1 | 1 | 0 | 1 | 1510 | 1473 | 1446 | 1416 | | | | | | | | |
| | 0 | 0 | 1 | 1 | 1550 | 1517 | 1494 | 1460 | | | | | | | | |
| | 1 | 0 | 1 | 1 | 1588 | 1561 | 1530 | 1503 | | | | | | | | |
| 0 | 1 | 1 | 1 | 1635 | 1606 | 1582 | 1554 | | | | | | | | | |
| 1 | 1 | 1 | 1 | 1646 | 1612 | 1582 | 1550 | | | | | | | | | |
| MG2S-060F* | 0 | 0 | 0 | 0 | 913 | 868 | 841 | 795 | 913 | 58 | 868 | 61 | 841 | 63 | 795 | 67 |
| | 1 | 0 | 0 | 0 | 965 | 944 | 886 | 848 | 965 | 55 | 944 | 56 | 886 | 60 | 848 | 63 |
| | 0 | 1 | 0 | 0 | 1037 | 1000 | 973 | 933 | 1037 | 51 | 1000 | 53 | 973 | 55 | 933 | 57 |
| | 1 | 1 | 0 | 0 | 1112 | 1079 | 1047 | 1012 | 1112 | 48 | 1079 | 49 | 1047 | 51 | 1012 | 53 |
| | 0 | 0 | 1 | 0 | 1185 | 1155 | 1118 | 1082 | 1185 | 45 | 1155 | 46 | 1118 | 48 | 1082 | 49 |
| | 1 | 0 | 1 | 0 | 1256 | 1216 | 1180 | 1151 | 1256 | 42 | 1216 | 44 | 1180 | 45 | 1151 | 46 |
| | 0 | 1 | 1 | 0 | 1289 | 1258 | 1222 | 1186 | 1289 | 41 | 1258 | 42 | 1222 | 44 | 1186 | 45 |
| | 1 | 1 | 1 | 0 | 1354 | 1319 | 1283 | 1247 | 1354 | 39 | 1319 | 40 | 1283 | 42 | 1247 | 43 |
| | 0 | 0 | 0 | 1 | 1396 | 1366 | 1331 | 1299 | | | | | | | | |
| | 1 | 0 | 0 | 1 | 1442 | 1411 | 1379 | 1351 | | | | | | | | |
| | 0 | 1 | 0 | 1 | 1485 | 1451 | 1421 | 1388 | | | | | | | | |
| | 1 | 1 | 0 | 1 | 1510 | 1473 | 1446 | 1416 | | | | | | | | |
| | 0 | 0 | 1 | 1 | 1550 | 1517 | 1494 | 1460 | | | | | | | | |
| | 1 | 0 | 1 | 1 | 1588 | 1561 | 1530 | 1503 | | | | | | | | |
| 0 | 1 | 1 | 1 | 1635 | 1606 | 1582 | 1554 | | | | | | | | | |
| 1 | 1 | 1 | 1 | 1646 | 1612 | 1582 | 1550 | | | | | | | | | |
| MG2S-072F | 0 | 0 | 0 | 0 | 923 | 884 | 843 | 798 | 923 | 69 | 884 | 72 | 843 | 76 | 798 | 80 |
| | 1 | 0 | 0 | 0 | 964 | 922 | 886 | 843 | 964 | 66 | 922 | 69 | 886 | 72 | 843 | 76 |
| | 0 | 1 | 0 | 0 | 1052 | 1017 | 977 | 938 | 1052 | 61 | 1017 | 63 | 977 | 66 | 938 | 68 |
| | 1 | 1 | 0 | 0 | 1117 | 1088 | 1049 | 1017 | 1117 | 57 | 1088 | 59 | 1049 | 61 | 1017 | 63 |
| | 0 | 0 | 1 | 0 | 1196 | 1163 | 1131 | 1092 | 1196 | 54 | 1163 | 55 | 1131 | 57 | 1092 | 59 |
| | 1 | 0 | 1 | 0 | 1258 | 1219 | 1190 | 1151 | 1258 | 51 | 1219 | 53 | 1190 | 54 | 1151 | 56 |
| | 0 | 1 | 1 | 0 | 1283 | 1248 | 1213 | 1177 | 1283 | 50 | 1248 | 51 | 1213 | 53 | 1177 | 54 |
| | 1 | 1 | 1 | 0 | 1335 | 1299 | 1268 | 1234 | 1335 | 48 | 1299 | 49 | 1268 | 50 | 1234 | 52 |
| | 0 | 0 | 0 | 1 | 1389 | 1356 | 1322 | 1292 | 1389 | 46 | 1356 | 47 | 1322 | 48 | 1292 | 50 |
| | 1 | 0 | 0 | 1 | 1442 | 1406 | 1374 | 1340 | 1442 | 44 | 1406 | 46 | 1374 | 47 | 1340 | 48 |
| | 0 | 1 | 0 | 1 | 1480 | 1446 | 1415 | 1382 | 1480 | 43 | 1446 | 44 | 1415 | 45 | 1382 | 46 |
| | 1 | 1 | 0 | 1 | 1506 | 1475 | 1442 | 1410 | 1506 | 42 | 1475 | 43 | 1442 | 44 | 1410 | 45 |
| | 0 | 0 | 1 | 1 | 1542 | 1507 | 1474 | 1443 | 1542 | 42 | 1507 | 42 | 1474 | 43 | 1443 | 44 |
| | 1 | 0 | 1 | 1 | 1583 | 1554 | 1518 | 1488 | 1583 | 40 | 1554 | 41 | 1518 | 42 | 1488 | 43 |
| 0 | 1 | 1 | 1 | 1630 | 1601 | 1563 | 1530 | 1630 | 39 | 1601 | 40 | 1563 | 41 | 1530 | 42 | |
| 1 | 1 | 1 | 1 | 1633 | 1599 | 1564 | 1529 | | | | | | | | | |

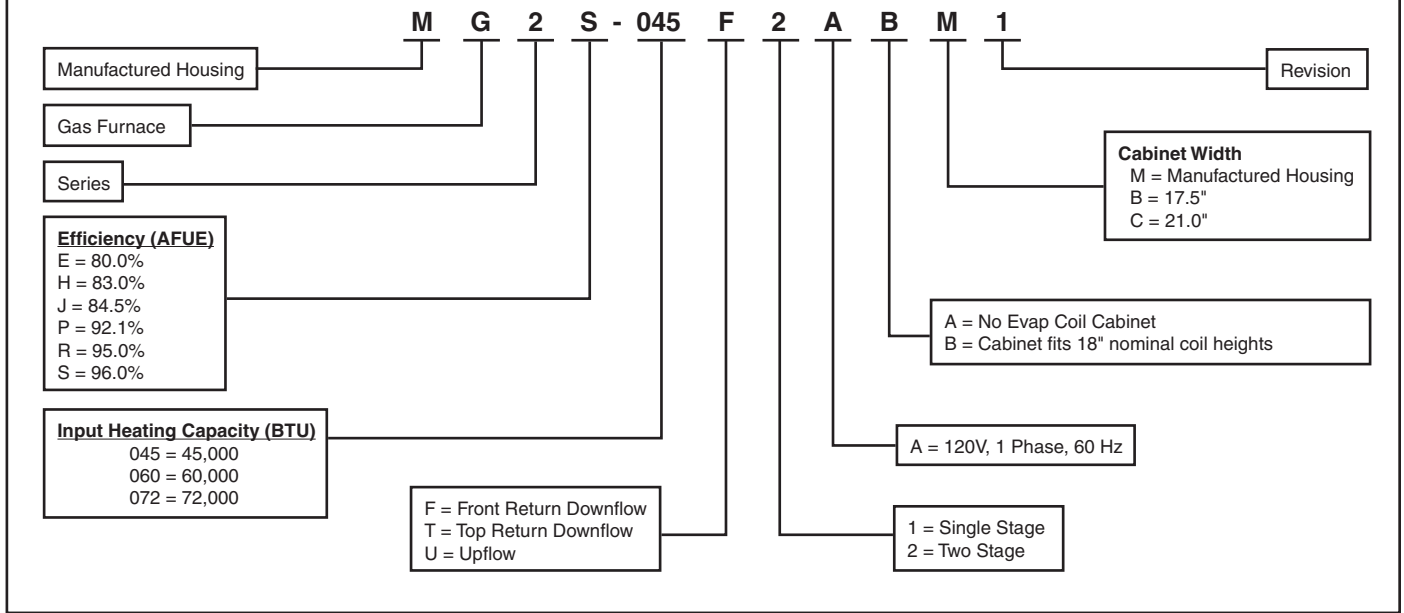
Greyed out blower speeds do not meet FER efficiency requirements and should not be used.

BLOWER PERFORMANCE - Top Return

| MODEL NUMBER | MOTOR SWITCH SETTINGS (0 =OFF,1 =ON) | | | | COOLING | | | | HEATING | | | | | | | |
|--------------|---|-----|-----|------|------------------------------------|------|------|------|------------------------------------|------|------|------|------|------|------|------|
| | | | | | EXTERNAL STATIC PRESSURE (IN.W.C.) | | | | EXTERNAL STATIC PRESSURE (IN.W.C.) | | | | | | | |
| | | | | | 0.2 | 0.3 | 0.4 | 0.5 | 0.2 | | 0.3 | | 0.4 | | 0.5 | |
| | 1/5 | 2/6 | 3/7 | 4/8 | CFM | CFM | CFM | CFM | CFM | RISE | CFM | RISE | CFM | RISE | CFM | RISE |
| MG2S-045T* | 0 | 0 | 0 | 0 | 872 | 831 | 797 | 745 | 872 | 46 | 831 | 48 | 797 | 50 | 745 | 54 |
| | 1 | 0 | 0 | 0 | 924 | 888 | 855 | 809 | 924 | 43 | 888 | 45 | 855 | 47 | 809 | 49 |
| | 0 | 1 | 0 | 0 | 1005 | 969 | 939 | 899 | 1005 | 40 | 969 | 41 | 939 | 43 | 899 | 44 |
| | 1 | 1 | 0 | 0 | 1076 | 1043 | 1014 | 972 | 1076 | 37 | 1043 | 38 | 1014 | 39 | 972 | 41 |
| | 0 | 0 | 1 | 0 | 1155 | 1122 | 1078 | 1046 | 1155 | 35 | 1122 | 36 | 1078 | 37 | 1046 | 38 |
| | 1 | 0 | 1 | 0 | 1220 | 1187 | 1158 | 1126 | 1220 | 33 | 1187 | 34 | 1158 | 35 | 1126 | 36 |
| | 0 | 1 | 1 | 0 | 1269 | 1230 | 1199 | 1164 | | | | | | | | |
| | 1 | 1 | 1 | 0 | 1321 | 1290 | 1251 | 1218 | | | | | | | | |
| | 0 | 0 | 0 | 1 | 1399 | 1360 | 1325 | 1293 | | | | | | | | |
| | 1 | 0 | 0 | 1 | 1448 | 1423 | 1382 | 1347 | | | | | | | | |
| | 0 | 1 | 0 | 1 | 1495 | 1463 | 1427 | 1390 | | | | | | | | |
| | 1 | 1 | 0 | 1 | 1531 | 1490 | 1457 | 1424 | | | | | | | | |
| | 0 | 0 | 1 | 1 | 1564 | 1534 | 1501 | 1464 | | | | | | | | |
| | 1 | 0 | 1 | 1 | 1611 | 1576 | 1543 | 1510 | | | | | | | | |
| 0 | 1 | 1 | 1 | 1645 | 1609 | 1583 | 1547 | | | | | | | | | |
| 1 | 1 | 1 | 1 | 1683 | 1653 | 1624 | 1594 | | | | | | | | | |
| MG2S-060T* | 0 | 0 | 0 | 0 | 872 | 831 | 797 | 745 | 872 | 61 | 831 | 64 | 797 | 67 | 745 | 72 |
| | 1 | 0 | 0 | 0 | 924 | 888 | 855 | 809 | 924 | 58 | 888 | 60 | 855 | 62 | 809 | 66 |
| | 0 | 1 | 0 | 0 | 1005 | 969 | 939 | 899 | 1005 | 53 | 969 | 55 | 939 | 57 | 899 | 59 |
| | 1 | 1 | 0 | 0 | 1076 | 1043 | 1014 | 972 | 1076 | 50 | 1043 | 51 | 1014 | 53 | 972 | 55 |
| | 0 | 0 | 1 | 0 | 1155 | 1122 | 1078 | 1046 | 1155 | 46 | 1122 | 48 | 1078 | 49 | 1046 | 51 |
| | 1 | 0 | 1 | 0 | 1220 | 1187 | 1158 | 1126 | 1220 | 44 | 1187 | 45 | 1158 | 46 | 1126 | 47 |
| | 0 | 1 | 1 | 0 | 1269 | 1230 | 1199 | 1164 | | | | | | | | |
| | 1 | 1 | 1 | 0 | 1321 | 1290 | 1251 | 1218 | | | | | | | | |
| | 0 | 0 | 0 | 1 | 1399 | 1360 | 1325 | 1293 | | | | | | | | |
| | 1 | 0 | 0 | 1 | 1448 | 1423 | 1382 | 1347 | | | | | | | | |
| | 0 | 1 | 0 | 1 | 1495 | 1463 | 1427 | 1390 | | | | | | | | |
| | 1 | 1 | 0 | 1 | 1531 | 1490 | 1457 | 1424 | | | | | | | | |
| | 0 | 0 | 1 | 1 | 1564 | 1534 | 1501 | 1464 | | | | | | | | |
| | 1 | 0 | 1 | 1 | 1611 | 1576 | 1543 | 1510 | | | | | | | | |
| 0 | 1 | 1 | 1 | 1645 | 1609 | 1583 | 1547 | | | | | | | | | |
| 1 | 1 | 1 | 1 | 1683 | 1653 | 1624 | 1594 | | | | | | | | | |
| MG2S-072T | 0 | 0 | 0 | 0 | 885 | 848 | 804 | 764 | 885 | 72 | 848 | 75 | 804 | 80 | 764 | 84 |
| | 1 | 0 | 0 | 0 | 944 | 901 | 862 | 816 | 944 | 68 | 901 | 71 | 862 | 74 | 816 | 78 |
| | 0 | 1 | 0 | 0 | 1020 | 976 | 940 | 906 | 1020 | 63 | 976 | 66 | 940 | 68 | 906 | 71 |
| | 1 | 1 | 0 | 0 | 1087 | 1055 | 1019 | 985 | 1087 | 59 | 1055 | 61 | 1019 | 63 | 985 | 65 |
| | 0 | 0 | 1 | 0 | 1161 | 1132 | 1089 | 1060 | 1161 | 55 | 1132 | 57 | 1089 | 59 | 1060 | 60 |
| | 1 | 0 | 1 | 0 | 1225 | 1195 | 1164 | 1137 | 1225 | 52 | 1195 | 54 | 1164 | 55 | 1137 | 56 |
| | 0 | 1 | 1 | 0 | 1265 | 1239 | 1204 | 1175 | 1265 | 51 | 1239 | 52 | 1204 | 53 | 1175 | 54 |
| | 1 | 1 | 1 | 0 | 1330 | 1299 | 1265 | 1228 | 1330 | 48 | 1299 | 49 | 1265 | 51 | 1228 | 52 |
| | 0 | 0 | 0 | 1 | 1388 | 1353 | 1320 | 1289 | | | | | | | | |
| | 1 | 0 | 0 | 1 | 1447 | 1413 | 1382 | 1346 | | | | | | | | |
| | 0 | 1 | 0 | 1 | 1489 | 1454 | 1423 | 1388 | | | | | | | | |
| | 1 | 1 | 0 | 1 | 1513 | 1484 | 1452 | 1420 | | | | | | | | |
| | 0 | 0 | 1 | 1 | 1556 | 1523 | 1492 | 1459 | | | | | | | | |
| | 1 | 0 | 1 | 1 | 1599 | 1566 | 1534 | 1502 | | | | | | | | |
| 0 | 1 | 1 | 1 | 1639 | 1609 | 1578 | 1547 | | | | | | | | | |
| 1 | 1 | 1 | 1 | 1670 | 1651 | 1613 | 1583 | | | | | | | | | |

Greyed out blower speeds do not meet FER efficiency requirements and should not be used.

MODEL IDENTIFICATION CODE



VENTING

All models are approved for both vertical and horizontal direct (2 pipe) venting applications. See Vent Table below for specified sizes and allowable lengths.

| Maximum Direct Vent, Dual Pipe Length (ft.)* | | |
|--|----------------------------------|----------------------------------|
| MG2S Inputs (BTUH) | Inlet / Outlet 3 in. Diameter | Inlet / Outlet 2 in. Diameter |
| 45,000 | 60 | 30 |
| 60,000 | 60* | 30 |
| 72,000 | 60 | 30 |

***NOTES:**

1. Subtract 3.5 ft. for each additional 3" 90 degree elbow.
2. Two 45 degree elbows are equivalent to one 90 degree elbow.
3. One short radius elbow is equivalent to two long radius elbows
4. Do not include termination elbows in calculation of vent length
5. This table is applicable for elevations from sea level to 2,000 ft.
For higher elevations decrease vent pipe lengths by 8% per 1000 ft. of altitude.
6. Only the listed pipe materials are approved for use with M7 condensing furnaces.
7. For Canadian applications, use ULC S636 approved material.
8. For the 60,000 BTU top return furnace, the length of the 3" diameter pipe must not be longer than 30 ft.

| Pipe Materials | ANSI/ASTM Standard |
|--------------------------|--------------------|
| Schedule 40PVC | D1785 |
| PVC-DWV | D2665 |
| SDR-21 & SDR-26 | D2241 |
| ABS-DWV | D2661 |
| Schedule 40 ABS | F628 |
| Foam / Cellular Core PVC | F891 |
| PolyPro® by DuraVent | ULC-S636 |

ACCESSORIES

| Description | Part Number |
|--|-------------|
| Automatic Cavity Damper | 901083 |
| Side Return Air Kit | 904003 |
| Neutralizer Kit - All Models | 902377 |
| PVC Isolation Kit | 904063 |
| Vent Transition Kit | 904106 |
| Soffit Air Inlet (for VentilAire III only) | 917201A |
| VentilAire III - Sloped 3/12 | 914098B |
| VentilAire IV - Sloped 3/12 | 914229B |
| Side Wall Vent Kit, 2" | 904617 |
| Side Wall Vent Kit, 3" | 904347 |
| Concentric Vent Kit, 3" | 904953 |
| Non-Condensing to M7/CMF95 Vent Transition Kit | 921683 |

| Duct Connector Kits | | |
|---------------------------|-----------------------------------|------------|
| If Floor Cavity ("X") is: | Duct Connector Type & Part Number | |
| | Finger Tab | Screw Down |
| 7/8" (22) | 901987A | 904008 |
| 2" (51) | 901988A | 904009 |
| 4-1/4" (108) | 901989A | 904010 |
| 6-1/4" (159) | 901990A | 904011 |
| 8-1/4" (210) | 901991A | 904012 |
| 10-1/4" (260) | 901992A | 904013 |
| 12-1/4" (311) | 901993A | 904014 |

NOTE: Dimensions shown as Inches (Millimeter)



GENERAL TERMS OF LIMITED WARRANTY

For complete details of the Limited Warranty, including applicable terms and conditions, see your local installer or contact the Style Crest® warranty department for a copy.

Before purchasing this appliance, read important energy cost and efficiency information available from your retailer. Specifications and illustrations subject to change without notice and without incurring obligations. Printed in U.S.A (03/2019)

RSH3(M,Q)E Series

**Up to 14.3 SEER2, 7.5 HSPF
Manufactured Housing System
High Efficiency Heat Pump**

2 – 4 Ton Capacity

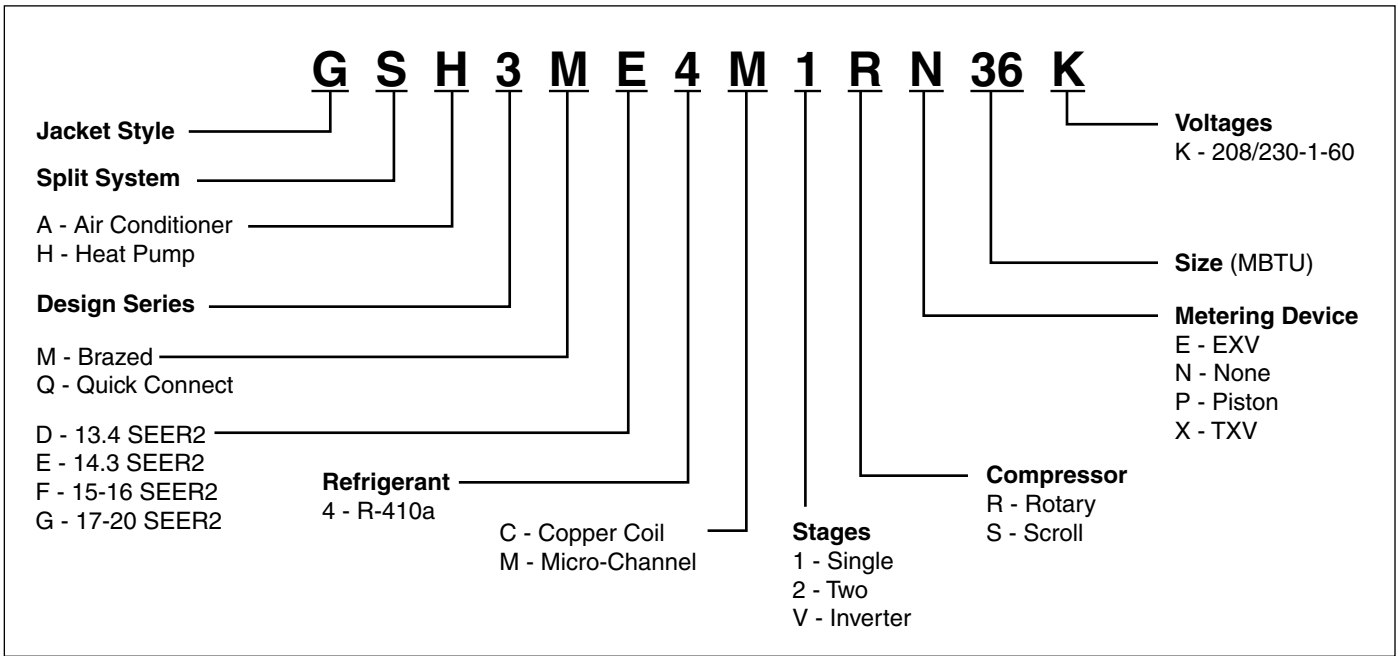
The RSH3(M,Q)E Series heat pump, when combined with our engineered coils or air handlers, offers a full line of quality, split system heating and cooling equipment. Units are ideally sized for slab or cantilever bracket installation.



FEATURES and BENEFITS

- **QE Models Offer Quick Connect Fittings:** Simplify the installation, no brazing, no evacuation required. Charged with refrigerant for 15 feet of lineset.
- **ME Models Offer Full Service Valves:** These brass valves are easily accessible and simplify servicing of the refrigeration system. Charged with refrigerant for 20 feet of lineset.
- **Patented Hot Gas Bypass Defrost** – Ensures that outdoor coil defrosts every time and only when necessary.
- **Full Service Valves** – Brass valves that are easily accessible and simplify servicing of the refrigeration system.
- **Designed Using Galvanized Steel:** A powder-coated paint that eliminates sharp edges and reduces corrosion, fading, chipping and scratching. It passes 950 hours of salt spray per ASTM Std. B117.
- **Composite Base Pan** – Absorbs sound and is corrosion resistant. Composite is also stronger and lighter than steel.
- **Designed for Manufacturing Housing** – The outdoor thermostat required by HUD is factory installed.
- **Removable Top Grille Assembly** – Allows ease of service from the top without disconnecting fan motor leads.
- **Suction Accumulator and Crankcase Heater** – Protection from liquid flood back and future compressor failures.
- **Hot Gas Muffler** – Reduces compressor noise and vibration.
- **Low Pressure Switch** – Loss of charge protection ensures long compressor life. Auto-reset feature prevents nuisance service visits.
- **High Pressure Switch** – Protects against abnormally high system pressures. Auto-reset feature prevents nuisance service visits.
- **Liquid Line Filter Drier** – Included with unit and field installed.
- **One-Piece Top/Orifice** – Designed for maximum airflow and quiet operation.
- **Easy Compressor and Control Access** – Designed to make servicing easier for the contractor, access panels are provided to all controls and the compressor from the side of the unit.
- **All-Aluminum Coils** – Aluminum coils in all models which provides high corrosion resistance.
- **Powder Coated Wire Guard and Mesh Hail Guard** – Will never rust and protects the coil from being damaged.
- **Common Suction Service Port** – This port allows the contractor to read the suction pressure in all modes of operation without removing any panels, saving time and increasing serviceability.
- **Five Minute Restart Time Delay** – When the unit shuts down, a five minute delay keeps the unit from restarting, eliminating the highest cause for compressor failure.

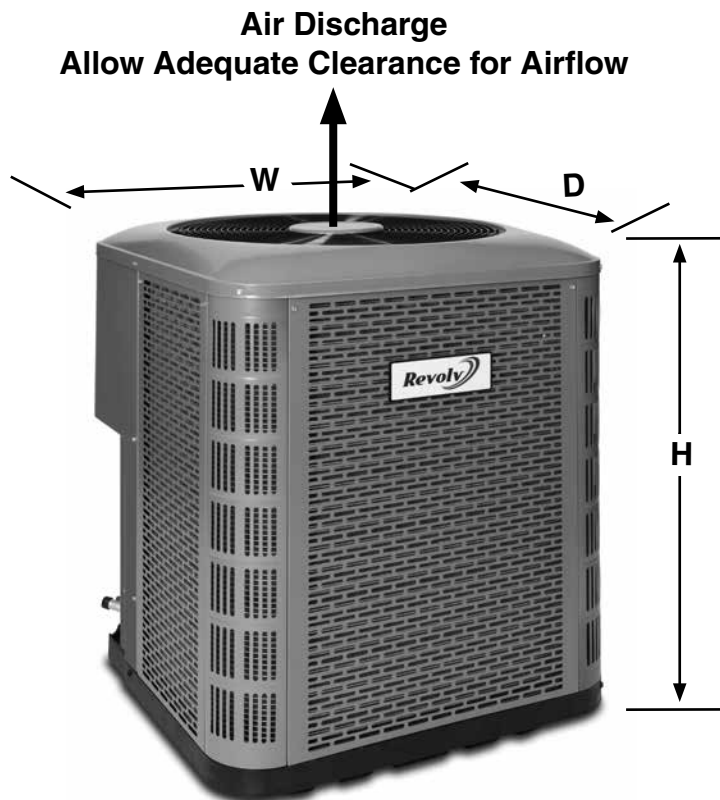
MODEL IDENTIFICATION CODES



DIMENSIONS

AIR CONDITIONER OUTDOOR SECTION

| RSH3(M,Q)E | 24K | 30K | 36K | 42K | 48K |
|------------|-------|-------|-------|-------|-------|
| H | 35.00 | 39.00 | 39.00 | 39.00 | 39.00 |
| W | 30.75 | 30.75 | 30.75 | 30.75 | 30.75 |
| D | 30.75 | 30.75 | 30.75 | 30.75 | 30.75 |



PHYSICAL AND ELECTRICAL SPECIFICATIONS / OUTDOOR UNITS

14.3 SEER2 — High Efficiency — Single Phase

| Model Number RSH3(M,Q)E | | 1RN24K | 1RN30K | 1SN36K | 1SN42K | 1SN48K |
|---|------------------------|----------------------------|--------|----------|--------|--------|
| Electrical Data | Volts-Cycles-Phase (1) | 208/230 Volts Single Phase | | | | |
| | Delay Fuse Max. (2) | 20 | 25 | 30 | 40 | 40 |
| | Min. Circuit Ampacity | 12.4 | 15.0 | 18.7 | 23.6 | 26.3 |
| | Fan Motor | HP | 1/8 | 1/8 | 1/5 | 1/4 |
| Refrigerant suction line O.D. NOTE: Liquid line is 3/8" O.D. for entire length. | 0-24 ft. | 3/4" | 3/4" | 3/4" | 7/8" | 7/8" |
| | 25-39 ft. | 3/4" | 3/4" | 7/8" (3) | 7/8" | 7/8" |
| | 40-75 ft. | 3/4" | 3/4" | 7/8" (3) | 7/8" | 7/8" |
| Approximate Shipping Weight (lbs.) | | 125 | 165 | 169 | 201 | 218 |
| Sound Rating dBA | | 75 | 75 | 75 | 79 | 79 |

(1) Operating Voltage Range: 187v min. - 253v max.

(2) HACR Type Circuit Breakers may be used.

(3) Requires 7/8" to 3/4" reducer from line to unit.

(4) Requires 7/8" to 1-1/8" reducer from line to unit.

ACCESSORIES - Condensing Unit

Start Assist Kit - 912933

Provides additional starting torque for the compressor motor when operating with low line voltage or high operating temperatures.

SYSTEM HEATING AND COOLING CAPACITIES

14.3 SEER2 — High Efficiency — Single Phase

| Outdoor Unit | Indoor Unit | SEER2 | EER2 | Capacity @ 95° F | Capacity @ 47° F | Capacity @ 17° F | HSPF2 | CFM |
|----------------|---|-------|------|------------------|------------------|------------------|-------|------|
| RSH3ME4M1RP24K | C84DAMX24U-B | 14.3 | 11.8 | 23,400 | 23,400 | 14,000 | 7.5 | 840 |
| RSH3ME4M1RP30K | C84DAMX30U-B | 14.3 | 11.8 | 30,000 | 30,000 | 18,000 | 7.5 | 980 |
| RSH3ME4M1SP36K | C84DAMX36U-B | 14.3 | 11.8 | 34,000 | 35,400 | 22,200 | 7.5 | 1250 |
| RSH3ME4M1RP42K | C84DAMX43U-B | 14.3 | 11.8 | 39,000 | 41,000 | 25,000 | 7.5 | 1225 |
| RSH3ME4M1SP48K | C84DAMX49U-B + E7EM-0XXH1 + 4T blower kit | 14.3 | 11.8 | 44,500 | 46,500 | 28,000 | 7.5 | 1550 |
| RSH3QE4M1RP24K | C84QAMX24U-B | 14.3 | 11.8 | 23,400 | 23,400 | 14,000 | 7.5 | 840 |
| RSH3QE4M1RP30K | C84QAMX30U-B | 14.3 | 11.8 | 30,000 | 30,000 | 18,000 | 7.5 | 980 |
| RSH3QE4M1SP36K | C84QAMX36U-B | 14.3 | 11.8 | 34,000 | 35,400 | 22,200 | 7.5 | 1250 |
| RSH3QE4M1RP42K | C84QAMX43U-B | 14.3 | 11.8 | 39,000 | 41,000 | 25,000 | 7.5 | 1225 |
| RSH3QE4M1SP48K | C84QAMX49U-B + E7EM-0XXH1 + 4T blower kit | 14.3 | 11.8 | 44,500 | 46,500 | 28,000 | 7.5 | 1550 |

All ratings are with time delay relay.

See current AHRI Directory for certified combinations and ratings.

www.ahridirectory.org



GENERAL TERMS OF LIMITED WARRANTY

For complete details of the Limited Warranty, including applicable terms and conditions, see your local installer or contact the Style Crest® warranty department for a copy.

Before purchasing this appliance, read important energy cost and efficiency information available from your retailer. Specifications and illustrations subject to change without notice and without incurring obligations. Printed in U.S.A (08/2022)