

MG1 Series

INSTALLATION INSTRUCTIONS

Downflow, Direct Vent (Sealed Combustion) Forced Air Gas Furnaces

For installation in:

- Manufactured Homes
- Recreational Vehicles, Park Models, & Manufactured Buildings
- Modular Homes / Buildings

⚠ WARNING / AVERTISSEMENT

FIRE OR EXPLOSION HAZARD

- Failure to follow safety warnings exactly could result in serious injury or property damage.
- Installation and service must be performed by a qualified installer, service agency or the gas supplier.
- Do not store or use gasoline or other flammable vapors and liquids in the vicinity of this or any other appliance.

RISQUE D'INCENDIE OU D'EXPLOSION

- Le non-respect des avertissements de sécurité pourrait entraîner des blessures graves ou des dommages matériels importants.
- L'installation et l'entretien doivent être effectués par un installateur qualifié, un organisme de service ou le fournisseur de gaz.
- N'entreposez pas ni n'utilisez de l'essence ni d'autres vapeurs ou liquides inflammables dans le voisinage de cet appareil, ni de tout autre appareil.

WHAT TO DO IF YOU SMELL GAS

- Do not try to light any appliance.
- Do not touch any electrical switch; do not use any phone in your building.
- Leave the building immediately.
- Immediately call your gas supplier from a neighbors phone. Follow the gas suppliers instructions.
- If you cannot reach your gas supplier, call the fire department.

QUE FAIRE S'IL Y A UNE ODEUR DE GAZ

- N'essayez d'allumer aucun appareil.
- Ne touchez à aucun interrupteur électrique; n'utilisez aucun téléphone dans le bâtiment.
- Évacuez l'immeuble immédiatement.
- Appelez immédiatement le fournisseur de gaz en employant le téléphone d'un voisin. Respectez les instructions du fournisseur de gaz.

DO NOT DESTROY. PLEASE READ CAREFULLY & KEEP IN A SAFE PLACE FOR FUTURE REFERENCE.



⚠ CAUTION



HUD Manufactured Home Construction and Safety Standards (3280.714) prohibit the use of noncertified air conditioning or heat pump equipment with this furnace. It is strongly recommended that manufactured housing air conditioning components from Nortek Global HVAC be selected to provide a matched system specifically designed to meet these requirements.

The cutting, splicing or modifying of any internal electrical wiring may void product warranties and create a hazardous condition. Failure to comply with these standards could also provide inadequate heating or cooling performance and cause structural damage to a manufactured home.

Please contact your local distributor for help. A directory of Nortek Global HVAC factory authorized servicers is located in the furnace homeowner packet.

Reference: HUD Manufactured Home Construction and Safety Standards 3280.714.

TABLE OF CONTENTS

IMPORTANT SAFETY INFORMATION	2	FIGURES & TABLES	23
REQUIREMENTS & CODES	3	Gas Information	23
GENERAL INFORMATION	4	Table 8. Gas Flow Rates.....	23
Minimum Clearances	4	Table 9. Gas Pipe Capacities.....	23
Applications	5	Table 10. Natural Gas Heating Values.....	24
Unit Location.....	5	Table 11. High Altitude Deration Chart for Natural Gas - High Heating Value.....	24
CIRCULATING AIR REQUIREMENTS	5	Table 12. High Altitude Deration Chart for Natural Gas - Low Heating Value	24
Return Air.....	5	Table 13. High Altitude Deration Chart for Propane Gas.....	24
Supply Air	6	Electrical Information	25
FURNACE INSTALLATION	6	Figure 31. Gas Direct Ignition Furnace, Heating & A/C Ready - All MG1 Models.....	25
General Information	6	Airflow Data	26
Locating & Cutting Duct Openings.....	6	Table 14. Heating Airflow (CFM) & Temperature Rise (°F).....	26
Standard Duct Connector Installation	8	Table 15. Cooling Airflow (CFM)	27
Alternate Attachment Method.....	8	INSTALLATION CHECKLIST	28
Round Duct Connector Installation	9	IMPORTANT SAFETY INFORMATION	
Installing the Furnace	9	Safety markings are used frequently throughout this manual to designate a degree or level of seriousness and should not be ignored. WARNING indicates a potentially hazardous situation that if not avoided, could result in personal injury or death. CAUTION indicates a potentially hazardous situation that if not avoided, may result in minor or moderate injury or property damage.	
ROOF JACK INSTALLATION	9	<hr/>  WARNING: <hr/>	
Roof Jack Selection	9	The safety information listed below must be followed during the installation, service, and operation of this furnace. Failure to follow safety recommendations could result in possible damage to the equipment, serious personal injury or death.	
Locating & Cutting Roof / Ceiling Openings	9	<hr/>  AVERTISSEMENT : <hr/>	
Installing The Roof Jack	11	Les renseignements de sécurité indiqués ci-dessous doivent être respectés pendant l'installation, l'entretien et le fonctionnement de cette fournaise. Le non-respect des recommandations de sécurité peut causer des dommages à l'équipement ou des blessures graves, voire mortelles.	
ELECTRICAL INFORMATION	12	<hr/>  WARNING: <hr/>	
Line Voltage Wiring.....	12	Do not install this furnace if any part has been submerged under water. A flood damaged furnace is extremely dangerous. Attempts to use the furnace may result in fire or explosion. A qualified service agency should be contacted to inspect the furnace and to replace any electrical or control system parts that have been wet or under water.	
Connecting Power Supply Wires.....	13		
Low Voltage Wiring.....	14		
Connecting Thermostat Wires.....	14		
Verifying Anticipator Setting	14		
Grounding	14		
FUEL SUPPLY & PIPING	14		
Leak Check.....	16		
Flue Gas Sampling	16		
High Altitude Conversion	16		
Conversion to Propane (LP) Gas.....	17		
Atmospheric & Direct Ignition Furnaces.....	17		
Measuring the Supply Gas Pressure.....	18		
Measuring the Manifold Pressure.....	18		
STARTUP & ADJUSTMENTS	18		
Operating Instructions.....	19		
How to Shut Off Gas - Direct Ignition Models.....	19		
Verifying Input Rate	19		
Verifying & Adjusting Temperature Rise.....	19		
Burner Adjustments	20		
Gas Pressure	20		
OPERATING SEQUENCE	20		
Direct Ignition Furnaces.....	20		
TROUBLESHOOTING	20		
FURNACE CONTROLS & FUNCTIONS	22		
MAINTENANCE	22		
Installer Information	22		
OPTIONAL ACCESSORIES	22		
Optional Add-On Air Conditioning.....	22		

AVERTISSEMENT :

N'installez pas cette fournaise si l'une de ses pièces a été immergée dans de l'eau. Une fournaise endommagée par une inondation est extrêmement dangereuse. Toute tentative d'utiliser la fournaise peut entraîner un incendie ou une explosion. Il faut communiquer avec un organisme de service qualifié pour l'inspection de la fournaise et le remplacement de toutes pièces électriques ou parties du système de commande qui ont été mouillées ou immergées.

CAUTION:

Operating gas furnaces in construction environments can cause a variety of problems within the furnace and may significantly reduce the life or the performance of the furnace. Therefore operating the furnace during construction is not permitted and will void the warranty.

REQUIREMENTS & CODES

- This furnace must be installed in accordance with these instructions, all applicable local building codes and the current revision of the National Fuel Gas Code (NFPA54/ANSI Z223.1) or the Natural Gas and Propane Installation Code, CAN/CSA B149.1.
- Use only with type of gas approved for this furnace. Refer to the furnace rating plate.
- Install this furnace in accordance to the minimum clearances to combustible materials listed in [Table 1](#), ([page 5](#)).
- Provide adequate combustion and ventilation air to the furnace space as specified on [page 5](#). Do not block or obstruct air openings on the furnace, air openings to the area where the furnace is installed, or the space around the furnace.
- Combustion products must be discharged outdoors. Connect this furnace to an approved vent system, as specified on [page 9](#).
- Never test for gas leaks with an open flame. Use a commercially available soap solution to check all connections. See [page 16](#).
- This furnace is designed to operate with a maximum external pressure rise of 0.3 inches of water column.
NOTE 1: The static pressure measurement should not include the coil (if applicable). Consult the rating plate for the proper circulating air flow and temperature rise.
NOTE 2: It is important that the duct system be designed to handle the desired flow rate and external pressure rise. An improperly designed duct system can result in nuisance shutdowns, and comfort or noise issues.
- When supply ducts carry air circulated by the furnace to areas outside the space containing the furnace, the return air shall also be handled through the front door

of the furnace. Make sure there is sufficient return air through the door. See return air connections [page 6](#).

- Additional information listed below is for reference purposes only and does not necessarily have jurisdiction over local or state codes. Always consult with local authorities before installing any gas appliance.

Combustion & Ventilation Air

- US: National Fuel Gas Code (NFGC), Air for Combustion and Ventilation
- CANADA: Natural Gas and Propane Installation Codes (NSCNGPIC), Venting Systems and Air Supply for Appliances

Duct Systems

- US and CANADA: Air Conditioning Contractors Association (ACCA) Manual D, Sheet Metal and Air Conditioning Contractors National Association (SMACNA), or American Society of Heating, Refrigeration, and Air Conditioning Engineers (ASHRAE) Fundamentals Handbook

Electrical Connections

- US: National Electrical Code (NEC) ANSI/NFPA 70
- CANADA: Canadian Electrical Code CSA C22.1

Gas Piping & Gas Pipe Pressure Testing

- US: NFGC and National Plumbing Codes
- CANADA: NSCNGPIC

General Installation

- US: Current edition of the NFGC and the NFPA 90B. For copies, contact the National Fire Protection Association Inc., Batterymarch Park, Quincy, MA 02269; or American Gas Association, 400 N. Capitol, N.W., Washington DC 20001 or www.NFPA.org
- CANADA: NSCNGPIC. For a copy, contact Standard Sales, CSA International, 178 Rexdale Boulevard, Etobicoke (Toronto), Ontario, M9W 1R3 Canada

Safety

- US: (NFGC) NFPA 54–1999/ANSI Z223.1 and the Installation Standards, Warm Air Heating and Air Conditioning Systems ANSI/NFPA 90B.
 - Federal Manufactured Home Constructions & Safety Standard (H.U.D. Title 24, Part 3280.707[a][2])
 - The Standard for Manufactured Home Installations (Manufactured Home Sites, Communities, and Set-Ups) ANSI A225.1 and/or CAN/CSA-2240 MH Series).
 - American National Standard (ANSI-119.2/NFPA-501C) for all recreational vehicle installations.
 - CANADA: CAN/CSA-B149.1 and .2–M00 National Standard of Canada. (NSCNGPIC)
- The Commonwealth of Massachusetts requires compliance with regulation 248 CMR 4.00 and 5.00 for installation of through–the–wall vented gas appliances as follows:
1. For direct-vent appliances, mechanical-vent heating appliances or domestic hot water equipment, where the bottom of the vent terminal and the air intake is installed below four feet above grade the following requirements must be satisfied:
 - a.) A carbon monoxide (CO) detector and alarm shall be placed on each floor level where there are bedrooms. The detector shall comply with NFPA 720 (2005 Edition) and be mounted in the living area outside the bedroom(s).
 - b.) A (CO) detector shall be located in the room that houses the appliance or equipment and shall:

- Be powered by the same electrical circuit as the appliance or equipment. Only one service switch shall power the appliance and the (CO) detector;
- Have battery back-up power;
- Meet ANSI/UL 2034 Standards and comply with NFPA 720 (2005 Edition); and Approved and listed by a Nationally Recognized Testing Laboratory as recognized under 527 CMR.

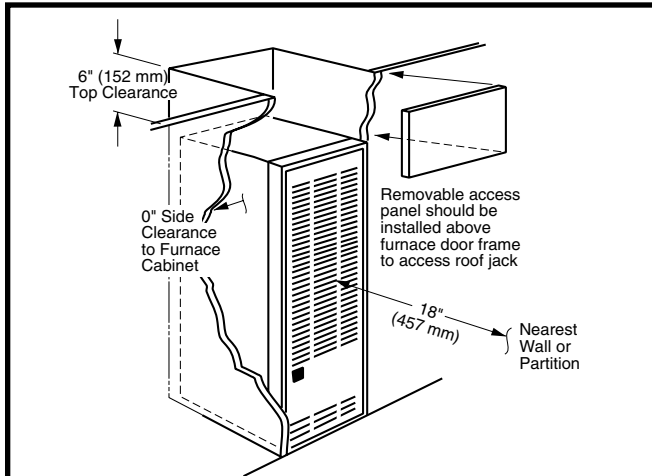


Figure 1. Alcove Installation

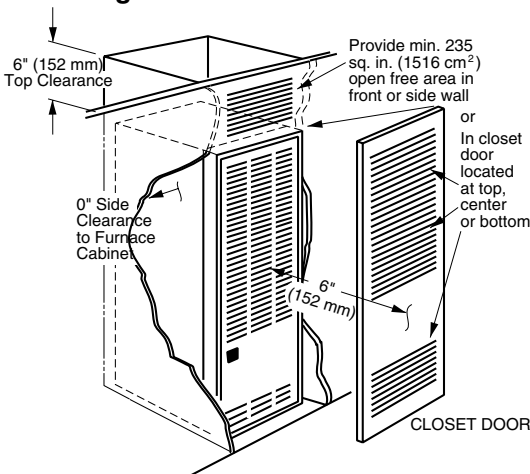


Figure 2. Closet Installation

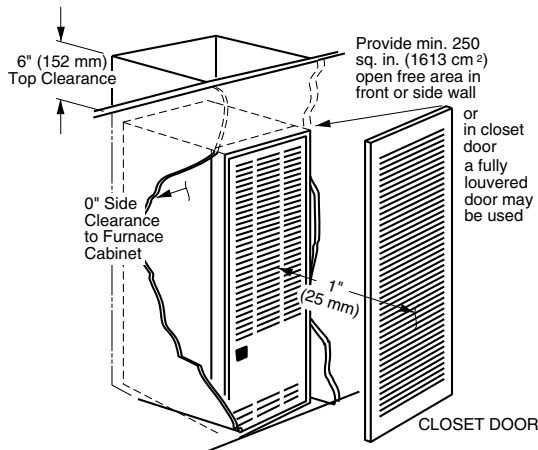


Figure 3. Special 1" Clearance

- c.) A Product-approved vent terminal must be used, and if applicable, a product-approved air intake must be used. Installation shall be in strict compliance with the manufacturer's instructions. A copy of the installation instructions shall remain with the appliance or equipment at the completion of the installation.
 - d.) A metal or plastic identification plate shall be mounted at the exterior of the building, 4 feet directly above the location of vent terminal. The plate shall be of sufficient size, easily read from a distance of eight feet away, and read "Gas Vent Directly Below".
2. For direct-vent appliances, mechanical vent heating appliances or domestic hot water equipment where the bottom of the vent terminal and the air intake is installed above four feet above grade the following requirements must be satisfied:
- a.) A (CO) detector and alarm shall be placed on each floor level where there are bedrooms. The detector shall comply with NFPA 720 (2005 Edition) and be mounted in the living area outside the bedroom(s).
 - b.) The (CO) detector shall:
 - Be located in the room that houses the appliance or equipment;
 - Be hard-wired, battery powered or both.
 - Shall comply with NFPA 720 (2005 Edition).
 - c.) A product-approved vent terminal must be used, and if applicable, a product-approved air intake must be used. Installation shall be in strict compliance with the manufacturer's instructions. A copy of the installation instructions shall remain with the appliance or equipment at the completion of the installation.

GENERAL INFORMATION

CAUTION:

- **Do Not alter or modify this furnace or any of its components.**
- **Never attempt to repair damaged or inoperable components. This may cause unsafe operation, explosion, fire and/or asphyxiation.**
- **If furnace malfunctions or does not operate properly, contact a qualified service agency or gas utility for assistance.**

Minimum Clearances

This heating appliance must be installed with clearances not less than the minimums listed in [Table 1, \(page 5\)](#). This furnace must be installed with ample clearance for easy access to the air filter, blower assembly, burner assembly, controls, and vent connections. See [Figure 1, Figure 2, and Figure 3](#).

- The dimensions of the room or alcove must be able to accommodate the overall size of the furnace and the installation clearances listed in [Table 1](#) and in [Figure 4 \(page 5\)](#).
- Alcove installations: minimum 18" clearance at front of furnace shall be provided for future servicing. A removable access panel should be installed between top of the furnace door frame and the ceiling.

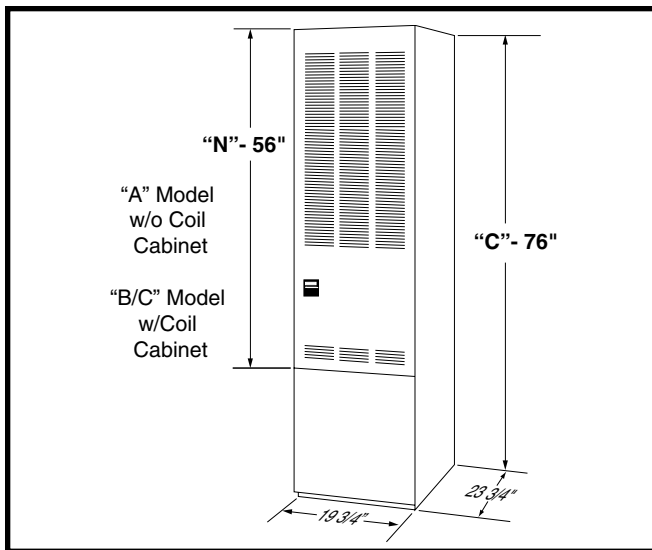


Figure 4. Overall Dimensions

ALL MODELS	CLOSET	ALCOVE
Front	6"	18"
Back	0"	0"
Sides	0"	0"
Roof Jack	0"	0"
Top	6"	6"
Top and Sides of Duct	0"	0"
Bottom of Duct	—	—
A Cabinet (w/ coil box)	0"	0"
A Cabinet (w/o coil box)	1/4"	1/4"
B Cabinet	0"	0"

Table 1. Minimum Clearances

- Closet installations must use a louvered door having a minimum free area of 235 in² when located 6" from furnace or 390 in² for 5 ton MG1 furnaces. For special clearance between 1" - 6", requirements are a louvered door with a minimum of 250 in² free area, with the openings in the closet door in line with the louvered openings in the furnace door. A fully louvered closet door may be used. See Circulating Air Requirements section (page 5).
- The furnace must be kept free and clear of insulating material. Examine the furnace area when the furnace is installed or when insulation is added. Insulating material may be combustible.

Applications

MG1 series gas furnaces are classified as a Category I (Catégorie I) appliance and listed as a direct vent (sealed combustion), downflow heating appliance for manufactured (mobile) homes and recreational vehicles. The furnace must be located so that venting can be properly achieved.

Air conditioning may be added to structures with MG1 series furnaces using air conditioning or conventional units. This Installation Instruction manual includes

special requirements for incorporation of air conditioning equipment to the MG1 furnaces.

Unit Location

- The furnace shall be appropriately located to the supply and return air distribution system (page 5). Sides and back of the furnace may be enclosed by wall framing. See Minimum Clearances section on page 4.
- The furnace installation is only intended for free air return through the furnace door louvers. DO NOT connect a ducted return air system directly to the furnace. Improper installation may create a hazard and damage equipment, as well as void all warranties.
- Furnace may be installed on combustible flooring when using manufacturer approved duct connectors. See page 5.
- When installed in a residential garage, the furnace must be positioned so the burners and the source of the ignition are located no less than 18 inches above the floor and protected from physical damage by vehicles.

CIRCULATING AIR REQUIREMENTS

WARNING:

Do not allow combustion products to enter the circulating air supply. Failure to prevent the circulation of combustion products into the living space can create potentially hazardous conditions including carbon monoxide poisoning that could result in personal injury or death.

The surface that the furnace is mounted on must provide sound physical support of the furnace with no gaps, cracks or sagging between the furnace and the floor or platform.

Circulating air ductwork must not be connected to any other heat producing device such as a fireplace insert, stove, etc. This may result in fire, explosion, carbon monoxide poisoning, personal injury, or property damage.

Return Air

U.S.A. home manufacturers shall comply with all of the following conditions to have acceptable return air systems for closet installed forced air heating appliances:

- The return air opening into the closet shall not be less than specified in the appliance's listing.
- The cross-sectional area of the return duct system leading into the closet, when located in the floor or ceiling shall not be less than 235 in².

CAUTION:

HAZARD OF ASPHYXIATION: Do not cover or restrict return air opening.

- Means shall be provided that prevent inadvertent closure of flat objects placed over the return air opening located in the floor of the closet (versus the vertical front or side wall).
- The total free area of openings in the floor or ceiling registers serving the return air duct system must be at least 235 in². At least one register should be located where it is not likely to be covered by carpeting, boxes and other objects.
- Materials located in the return duct system must have a flame spread classification of 200 or less. This includes a closet door if the furnace is in a closet.
- Noncombustible pans having 1" upturned flanges are located beneath openings in a floor duct system.
- Wiring materials located in the return duct system shall conform to Articles 300-22 of the National Electrical Code (ANSI C1/NFPA-70).
- Gas piping is not run in or through the return duct system.

CAUTION:

HAZARD OF ASPHYXIATION: Negative pressure inside the closet, with closet door closed and the furnace blower operating on high speed, shall be no more negative than minus 0.05 inch water column.

- Test the negative pressure in the closet with the air-circulating fan operating at high speed and the closet closed. The negative pressure is to be no more negative than minus 0.05 inch water column.
- Air conditioning systems may require more duct register and open louver area to obtain necessary airflow.

Supply Air

For proper air distribution, the supply duct system must be designed so that the static pressure measured external to the furnace does not exceed the listed static pressure rating shown on the furnace rating plate.

Location, size, and number of registers should be selected on the basis of best air distribution and floor plan of the home. **The supply air must be delivered to the conditioned space by duct(s) secured to the furnace casing, running full size and without interruption.** Three typical distribution systems are shown in [Figure 5](#)

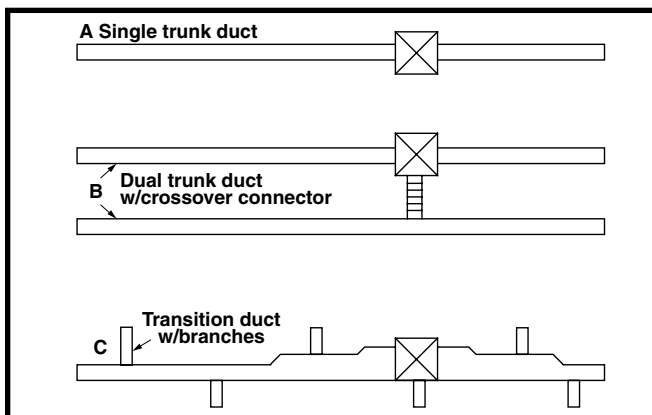


Figure 5. Typical Supply Duct System

FURNACE INSTALLATION

NOTE: These Installation procedures are suggested for typical furnace installations. Since each installation is different, the sequence of instructions may differ from the actual installation. Only qualified HVAC technicians should install this furnace.

The installer must be familiar with and comply with all codes and regulations applicable to the installation of these heating appliances and related equipment. In the absence of local codes, the installation must be in accordance with the current provisions of one or more of the following standards.

- Federal Manufactured Home Constructions & Safety Standard (H.U.D. Title 24, Part 3280.707[a][2])
- American National Standard (ANSI-119.2/NFPA-501C) for all recreational vehicle installations.
- American National Standard (ANSI-Z223.1/NFPA-54) and/or CAN/CSA B149 for all gas-fired furnace models.
- American National Standard (ANSI-Z95.1/NFPA-31) and/or CSA B139 for all oil-fired furnace models.
- American National Standard (ANSI-C1/NFPA-70) and/or CSA 22.1 Canadian Electric Code Part 1 for all electrical field wiring.
- Units have been certified under standards UL 307A & B, UL727-1999, ANSI Z21.47/CSA 2.3, and CSA B140.10.

General Information

- The furnace must be leveled at installation and attached to a properly installed duct system. **Do not use the back of the furnace for return air.** See [page 5](#) for circulating requirements.
- The furnace must be installed so that all electrical components are protected from water
- The dimensions of the room or alcove must be able to accommodate the overall size of the furnace and the installation clearances listed in [Table 1, \(page 5\)](#) and [Figure 1 \(page 4\)](#)
- The furnace must be installed upstream from a refrigeration system.
- MG1 series gas furnaces are certified for use on wood flooring or supports, but must be installed on top of a duct connector. This factory supplied accessory must be installed in the floor cavity and attached to the supply air duct before the furnace is installed.

Locating & Cutting Duct Openings

Floor cut-outs and fuel line holes must be carefully located to avoid misalignment of the furnace, and vent piping. To locate standard ducts see [Figure 6 \(page 7\)](#). For round ducts, see [Figure 7 \(page 7\)](#).

1. Measure 10" from the rear wall or alcove and mark the centerline of the cut-out on the floor.
2. Using the centerline as a starting point, draw the rest of the duct cut-out to the dimensions shown in [Figure 6](#) or [Figure 7](#).
3. Cut out the floor opening 1/16" larger than the actual cutout drawn. This will allow some clearance when installing the duct connector.
4. Measure from the top of the floor down to the top of the supply air duct to obtain the depth of the floor cavity.

NOTE: The depth of the floor cavity shown as "X" in

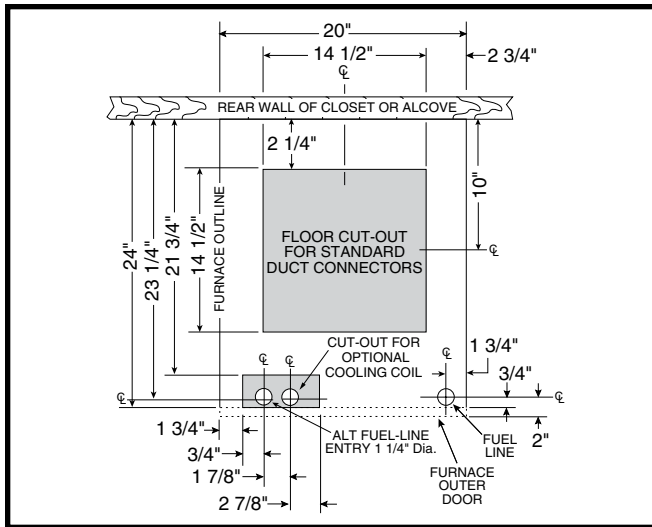


Figure 6. Cut-Out Dimensions for Standard Duct Connectors

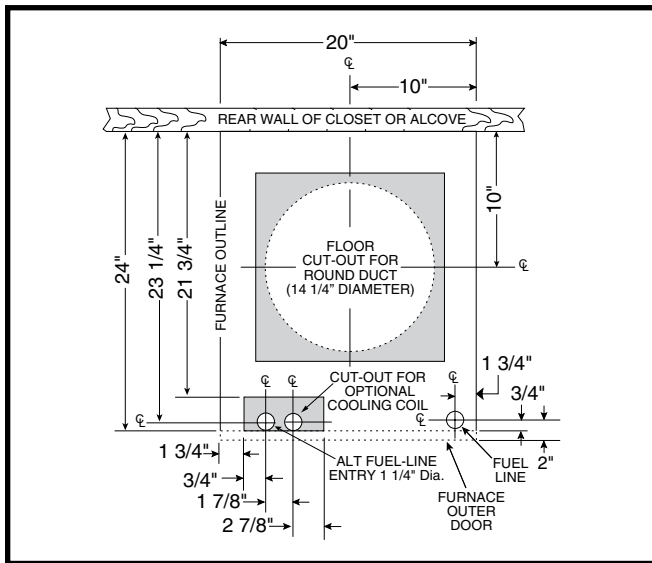


Figure 7. Cut-Out Dimensions for Round Duct Connectors

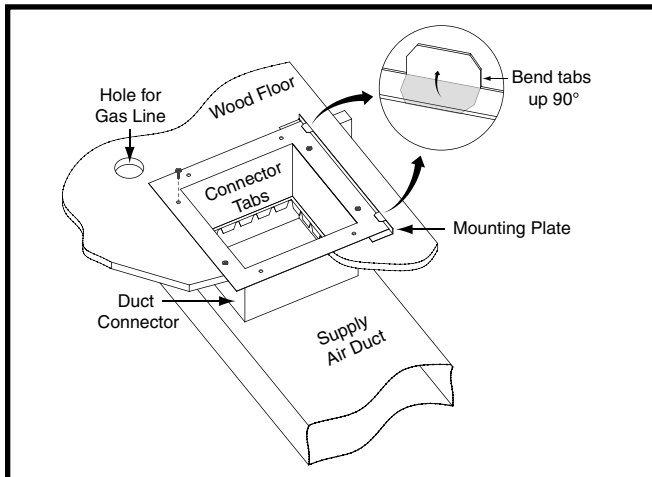


Figure 8. Standard Duct Connector Installed

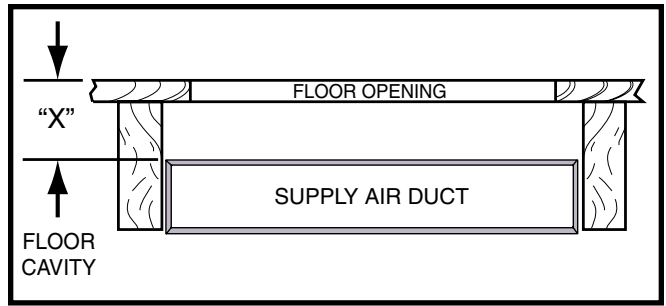


Figure 9. Floor Cavity

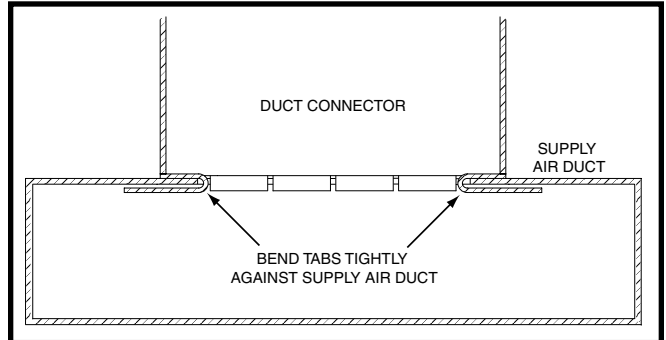


Figure 10. Duct Connector Tabs

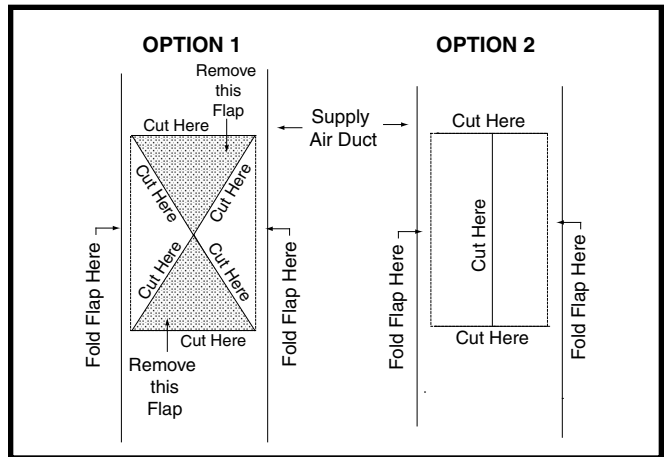


Figure 11. Narrow Air Duct Openings

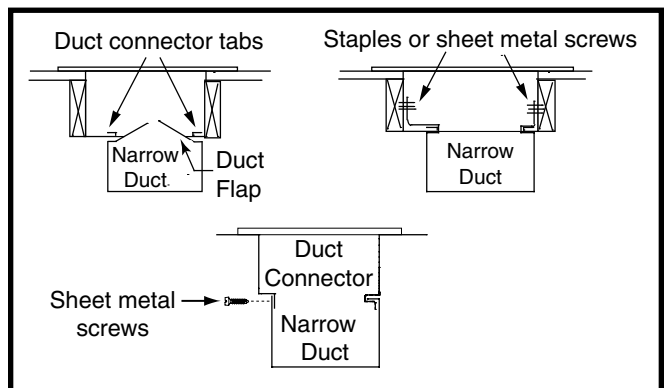


Figure 12. Narrow Ducts

IF FLOOR CAVITY "X" IS:	DUCT CONNECTOR TYPE & PART NUMBER	
	STANDARD DUCT	ROUND DUCT
7/8" / (22)	901987A	904008
2" / (51)	901988A	N/A
4-1/4" / (108)	901989A	904010
6-1/4" / (159)	901990A	904011
8-1/4" / (210)	901991A	904012
10-1/4" / (260)	901992A	904013
12-1/4" / (311)	901993A	904014

NOTE: Dimensions shown as Inches / (Millimeter)

Table 2. Duct Connector Sizes

Figure 9 (page 7) will determine the correct duct connector.

- Determine which duct connector to use from Table 2, (page 8).
- Measure and drill gas hole and cut out for cooling coil (if applicable). See Figure 6 or Figure 7.

Standard Duct Connector Installation

The standard duct connector is designed for use on ducts 12" in width. Ducts narrower than 12" may not allow sufficient clearances for this type of installation. See Alternate Attachment Method section below.

- Center the duct connector in the floor opening with bottom tabs resting on top of the supply air duct.
- Mark the cut-out area on the supply air duct by tracing around the connector tabs of the duct connector. See Figure 8 (page 7).
- Remove the duct connector and cut out the marked area of the supply air duct 1/4" larger the actual cutout drawn.
- Install the duct connector back in the floor opening with the bottom tabs extending into the supply air duct.
- Install the mounting plate under the back side of the duct connector as shown in Figure 8. Align the screw holes in both components.
- Secure the duct connector and the mounting plate to the wood floor with appropriate size screws.
- Bend the connector tabs on the bottom of the duct connector upwards and as tight as possible against the supply air duct.
- Bend both tabs up 90° on the mounting plate. See Figure 10 (page 7).
- Seal all connections with industrial grade sealing tape or liquid sealant.

NOTE: Requirements for sealing ductwork vary from region to region. Consult with local codes for requirements specific to your area.

Alternate Attachment Method

The standard duct connector is designed for use on ducts 12" in width. However if there is insufficient clearance to bend the duct connector tabs, this alternate attachment method may be used.

- Score and cut the top of the supply air duct as indicated in Option 1 or Option 2. See Figure 11 (page 7).

NOTE: If Option 1 is selected, cut out the metal from the shaded area.

- Fold the two flaps (Options 1 or 2) up to form the opening for the duct connector.
- Install the duct connector with the bottom tabs extending into the supply air duct.
- Bend the tabs on the bottom of the duct connector upwards and as tight as possible against the supply air duct. See Figure 12 (page 7).
- Form the flaps (Options 1 or 2) up against the duct connector as tight as possible.
- Secure the duct connector flaps to the supply air duct with staples (3 minimum) or if a 2x block/joist is not provided, use sheet metal screws (2 minimum).

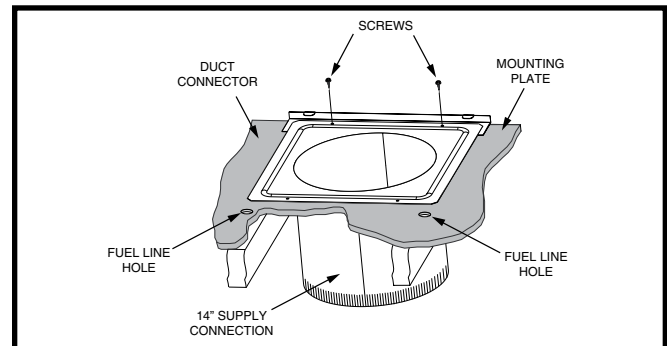


Figure 13. Round Duct Connector Installed

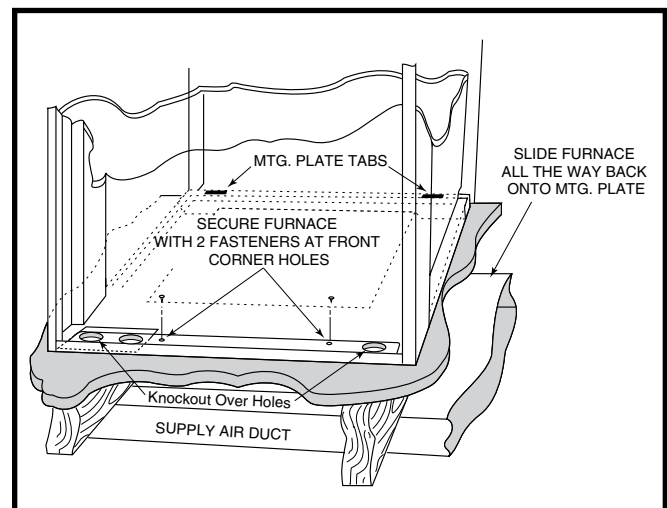


Figure 14. "A" & "B" Cabinet Furnaces

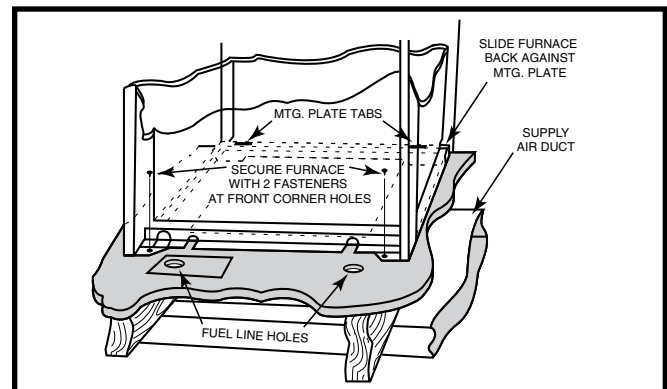


Figure 15. "A" Cabinet Furnace on Coil Cabinet

NOTE: The duct connector tabs may be attached to the air duct with sheet metal screws or other suitable fasteners as long as the duct connector and the air duct are securely attached.

7. Seal all connections with industrial grade sealing tape or liquid sealant.

NOTE: Requirements for sealing ductwork vary from region to region. Consult with local codes for requirements specific to your area.

Round Duct Connector Installation

1. Apply a bead of caulking, mastic, or other approved sealant around bottom side of connector.
2. Install and center the duct connector in the floor opening.
3. Install the mounting plate under the back side of the duct connector. See [Figure 13 \(page 8\)](#). **NOTE:** Align the screw holes in both components.
4. Secure the duct connector and the mounting plate to the wood floor with appropriate size screws.
5. Connect the round supply duct to the underside of the duct connector and secure them with field supplied sheet metal screws.
6. Seal all connections with industrial grade sealing tape or liquid sealant.

NOTE: Requirements for sealing ductwork vary from region to region. Consult with local codes for requirements specific to your area.

Installing the Furnace

Sides and back of the furnace may be enclosed by wall framing such as in a closet or alcove. The dimensions of the room or alcove must be able to accommodate the overall size of the furnace shown in [Figure 4 \(page 5\)](#) and the installation clearances outlined on [page 4](#). The furnace shall be appropriately connected to the supply distribution system as shown in [Figure 14 \(page 8\)](#) & [Figure 15 \(page 8\)](#).

1. Remove furnace outer door(s) and bottom fuel line knockout.
2. Place furnace onto duct connector and center with floor opening.
3. Slide onto mounting plate. (Bottom rear slots on furnace should engage with mounting plate tabs.)
4. Secure front with one (1) fastener at each corner. See [Figure 14](#) & [Figure 15](#).

NOTE: Additional fasteners may be used at rear, sides or through door frame, as desired, to secure furnace to closet or alcove framing.

ROOF JACK INSTALLATION

Required ceiling and roof cut-out openings must be carefully located to avoid misalignment of the furnace and Roof Jack. **NOTE:** Install only roof jack assemblies listed in [Table 3, \(page 10\)](#) on this heating appliance.

Roof Jack Selection

1. Determine depth of ceiling cavity from center of roof opening to center of ceiling opening noted as "Dimension A" in [Figure 16 \(page 10\)](#).
2. Determine ceiling height and subtract height of furnace noted as "Dimension B" in [Figure 16](#).
3. Add dimensions "A" & "B" (and X from [Table 4, \(page 10\)](#) if slant deck flashing is used). The total length of [A] + [B] + [X] must be within the minimum and maximum range of the roof jack listed in [Table 3](#).

Application Notes

- FAW, FAWT, SAW and SAWT series roof jacks with a 5" diameter inner vent pipe may be used with all models of MG1 Series gas furnaces.

F = Flat Flashing: flexes from 0/12 to 1/12 roof slope.

See [Figure 17 \(page 10\)](#).

S = Slant Flashing: 2.5/12 Slope flexes from 1/12 to 4/12 roof slope, 4/12 flexes from 3/12 to 5/12.

See [Figure 18 \(page 10\)](#).

- MG1 furnaces may be used with roof jack systems and extension accessories as tall as 170" (except MG1-056 models, which are limited to 120"). An internal roof jack extension (p/n 901935 - 10", p/n 903107 - 18") can be used to increase roof jack height. All connections inside the home must be made below the ceiling.
- This furnace must never be connected to a chimney flue servicing a fireplace or other appliance designed to burn solid fuel.
- If the roof jack crown is covered or blocked with snow, the furnace will not operate properly. If the home is located in regions where snow accumulation exceeds 7" (HUD snowload zones) use an external roof jack extension (p/n 901937). A maximum of 2 extensions per roof jacks can be used. Extensions are optional accessories and may be purchased through your distributor.

Locating & Cutting Roof / Ceiling Openings

IMPORTANT NOTE:

Do not allow debris to fall into the furnace. This could cause unsafe operation and void the furnace warranty. Use the top cap that comes with the furnace packaging (or alternate protector) to prevent debris from falling into the furnace before the final roof jack connection is made.

NOTE: Refer to the installation instructions provided with optional air conditioning packages when installing furnaces with optional cooling coil cabinet or with optional C* series indoor coils.

1. Locate center of Roof Jack opening, measure 13 1/2" from the rear wall of closet or alcove along the center line of furnace and floor opening. See [Figure 19](#).
2. Cut ceiling and roof holes:
 - Ceiling = 8 3/4" (222 mm) diameter
 - Roof = 9 3/8" (238 mm) diameter

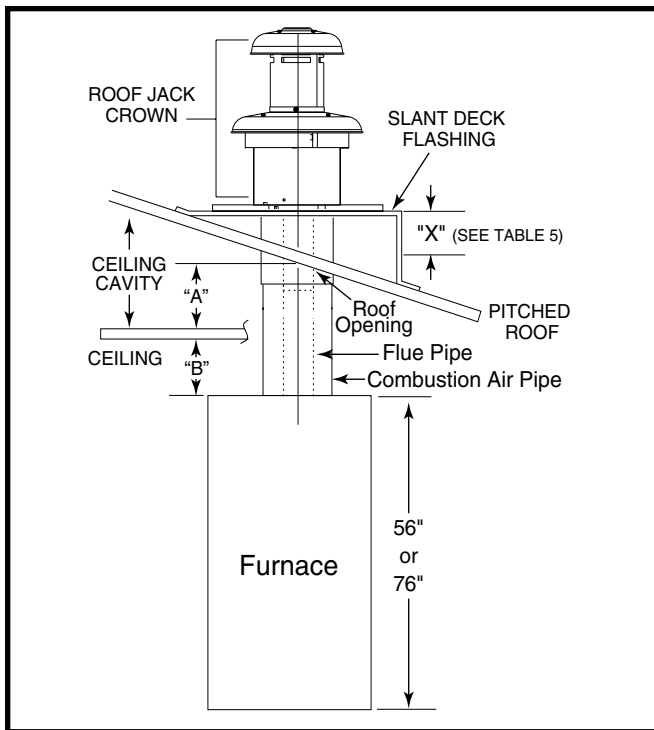


Figure 16. Ceiling Cavity Depth

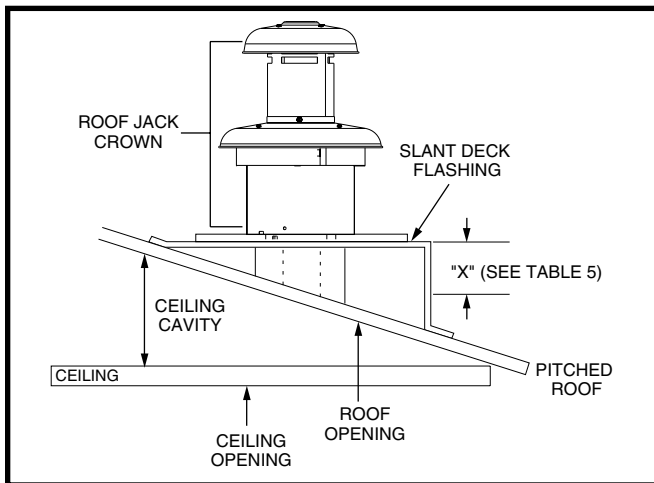


Figure 17. Example of Flat Jack with Flashing

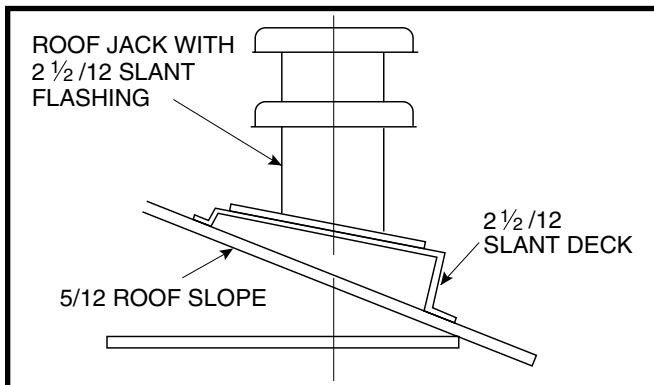


Figure 18. Example of 2 1/2 / 12 Slant Jack with Flashing

MODEL NUMBER	APPROX. LENGTH BELOW FLASHING
(F,S)AW1523-(0,2,4)(A,S)	15" - 23"
(F,S)AW2135-(0,2,4)(A,S)	21" - 35"
(F,S)AW2747-(0,2,4)(A,S)	27" - 47"
(F,S)AW3563-(0,2,4)(A,S)	35" - 63"
(F,S)AW5195-(0,2,4)(A,S)	51" - 95"

NOTE: Not all models are available. Check with your local distributor for available models.

S **AW** **27** **47** **-2** **S**
 MIN. ADJ. LENGTH

F = FLAT FLASHING
 S = SLANT FLASHING
 AW= ALL WEATHER

FLUE STEEL TYPE
 A= ALUMINIZED
 S=STAINLESS

FLASHING PITCH/12" RISE
 0=FLAT
 2=2.5/12
 4=4/12

MAX. ADJ. LENGTH

Table 3. Roof Jack Assemblies

ROOF JACK SERIES	IF ROOF PITCH IS:	SLANT DECK FLASHING NUMBER	"X"
"F Series"	2" in 12"	903893 (2.5/12)	2-1/8"
	2-1/2" in 12"	903893 (2.5/12)	2-1/2"
	3" in 12"	903894 (3/12)	2-7/8"
	3-1/2" in 12"	903894 (3/12)	3-1/4"
"S" Series (2.5 / 12 Pitch only)	4" in 12"	903895 (4/12)	3-5/8"
	4-1/2" in 12"	903895 (2.5/12)	2-1/8"
	5" in 12"	903895 (2.5/12)	2-1/2"
	5-1/2" in 12"	903894 (3/12)	2-7/8"
	6" in 12"	903894 (3/12)	3-1/4"
	6-1/2" in 12"	903895 (4/12)	3-5/8"

Optional deck flashings for flat and 2.5/12 pitch roof jacks. 4/12 pitch roof jacks not applicable.

Table 4. Slant Deck Flashings

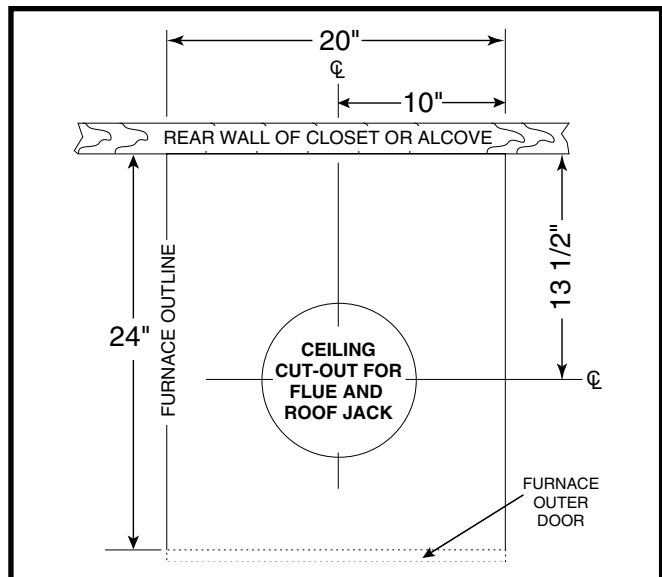


Figure 19. Cut-Out Dimensions for Flue & Roof Jack

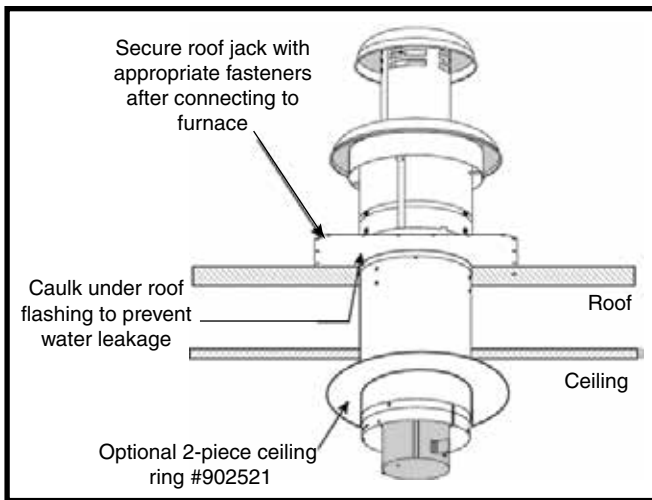


Figure 20. Flat Roof

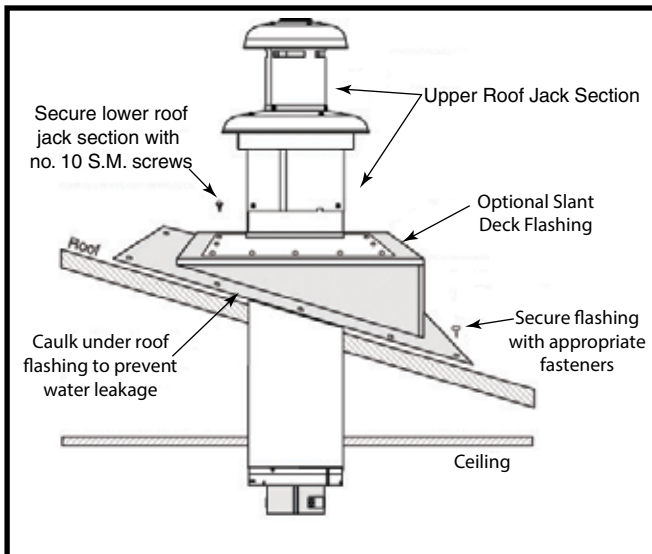


Figure 21. Pitched Roof

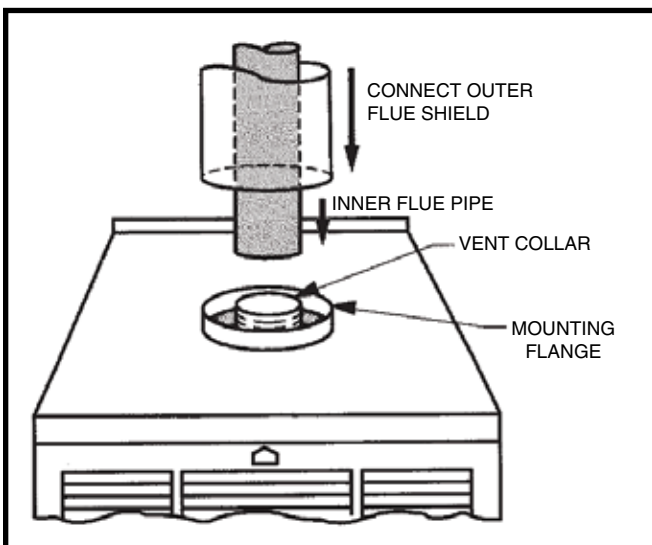


Figure 22. Combustion Air Pipe Connection

Installing The Roof Jack

1. Apply caulking compound on underside of roof flashing to form a continuous strip at least 3/8" wide around the underside of the perimeter of the flashing. For flat roof, see [Figure 20](#) or see [Figure 21](#) if roof is pitched.
2. Connect roof jack assembly to the furnace. Insert telescoping roof jack assembly through the opening cut on the roof.
3. Connect inner flue pipe to vent collar of the furnace. See [Figure 22](#).
4. Connect combustion air pipe to furnace collar with sheet metal screw. See [Figure 22](#).

NOTES:

- It is recommended that the connection of the combustion air pipe to the furnace be made before the flashing is secured to the roof to maintain alignment of roof jack and furnace connections.
 - For replacement furnaces, be sure the inner flue pipe connects over the furnace vent collar. **DO NOT use a smaller diameter inner flue pipe which could slide inside the furnace vent collar and restrict the flow of furnace flue products.**
5. Attach roof flashing. If necessary, shift roof flashing slightly in the roof opening so that assembly is in alignment with furnace.
 - NOTE:** If flashing is mounted on 12 degree angle, it may be necessary to adjust the angle to match the roof pitch; (1/12 - 4/12 maximum).
 6. Press down firmly on roof flashing (over caulking) to make the seal with roof water tight.
 7. Secure flashing with appropriate fasteners. **NOTE:** For added protection against leaks, coat the flashing plate and fasteners with approved roofing compound.
 - NOTE:** Upper roof jack crown to be stored in a prominent location inside manufactured home until on-site installation.

Installing Transit-Mode Venting System (Before Home is Moved to Site)

NOTE: For transit purposes, the transit kit (P/N 903838) should be installed before home is moved to site.

1. Furnace must be installed in accordance to furnace installation manual.
2. Select appropriate roof jack from [Table 3, \(page 10\)](#)
3. Roof jack (less upper roof jack crown), with weather cap to be installed as described in Installing The Roof Jack section.
4. Install the four warning tags (factory supplied) on these items:
 - Weather cap
 - Fuel line connection point
 - Furnace flame observation door
 - Furnace wall thermostat

Removing the Transit-Mode Venting System (After home is moved to site)

⚠ WARNING:

Failure to properly secure the flue pipe to the furnace may result in fire, explosion or asphyxiation when operating the furnace.

1. Transit-mode weather cap to be removed and upper roof jack crown installed. **Do not discard the screws.** See [Figure 23](#).
2. Place upper roof jack (crown) on the flue pipe assembly.

NOTE: Make sure inside flue pipe attaches over inner flue pipe and outer Roof Jack pipe fits over outer pipe.

3. Secure in place using three sheet metal screws (#10 x 1/2") removed in step 1. Do not use the same holes which secured the rain cap in place.
4. Remove and discard all 4 venting system warning tags.

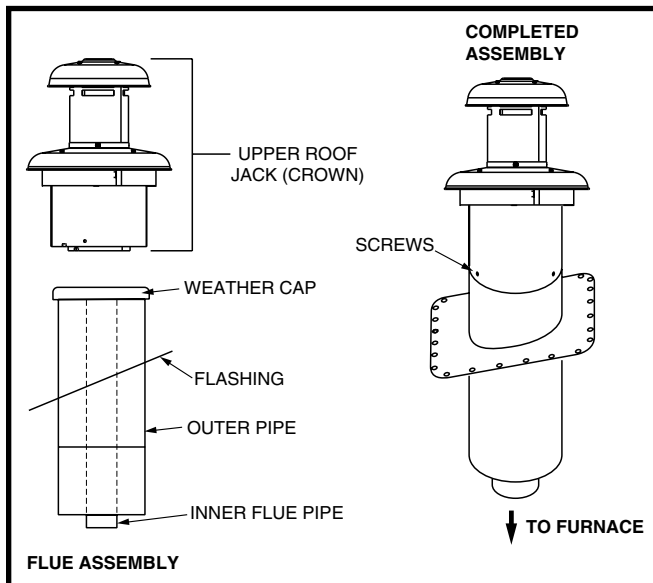


Figure 23. Roof Jack Crown

ELECTRICAL INFORMATION

⚠ WARNING:

ELECTRICAL SHOCK, FIRE OR EXPLOSION HAZARD

Failure to follow safety warnings exactly could result in serious injury or property damage.

Improper servicing could result in dangerous operation, serious injury, death or property damage.

- Before servicing, disconnect all electrical power to furnace.
- When servicing controls, label all wires prior to disconnecting. Reconnect wires correctly.
- Verify proper operation after servicing.

⚠ AVERTISSEMENT :

RISQUE DE DÉCHARGE ÉLECTRIQUE, D'INCENDIE OU D'EXPLOSION

Le non-respect des avertissements de sécurité pourrait entraîner des blessures graves ou des dommages matériels importants.

Un entretien inapproprié peut provoquer un fonctionnement dangereux, des blessures graves, la mort ou des dommages matériels.

- Avant toute intervention, coupez l'alimentation électrique de la fournaise.
- Pour l'entretien des commandes, étiquetez tous les fils avant de les débrancher. Rebranchez les fils correctement.
- Vérifiez le bon fonctionnement après l'intervention.

Line Voltage Wiring

⚠ WARNING:

To avoid electric shock, personal injury, or death, turn off the electric power at the disconnect or the main service panel before making any electrical connections.

- Electrical connections must be in compliance with all applicable local codes with the current revision of the National Electric Code (ANSI/NFPA 70).
- For Canadian installations the electrical connections and grounding shall comply with the current Canadian Electrical Code (CSA C22.1 and/or local codes).

It is recommended that 115VAC line voltage be supplied to the furnace from a dedicated branch circuit containing the correct fuse or circuit breaker for the furnace as listed in [Table 5](#), ([page 13](#)).

IMPORTANT NOTE:

Refer to the wiring diagram inside the control box cover or [Figure 31 \(page 25\)](#) for the wiring of your particular unit. Any other wiring methods must be acceptable to authority having jurisdiction.

CAUTION:

Label all wires prior to disconnection when servicing controls. Wiring errors can cause improper and dangerous operation. Verify proper operation after servicing.

IMPORTANT NOTE:

Proper line voltage polarity must be maintained in order for the control system to operate correctly. Verify the incoming neutral line is connected to the white wire and the incoming “hot” line is connected to the black wire. The furnace will not operate unless the polarity and ground are properly connected as shown in [Figure 25 \(page 13\)](#).

For installation of A-size Cabinet furnaces, allow sufficient slack in the wiring if an optional cooling coil cabinet is added at a later time. **Use of copper conductors is recommended.**

Connecting Power Supply Wires

1. Remove the furnace control panel cover.
2. Route wires (115 VAC) through the strain relief on the left side of the furnace control box. See [Figure 24](#).
3. Connect the **hot** wire to the **black** pigtail lead, and the **neutral** wire to the **white** pigtail lead. Secure all connections with suitable wire nuts.
4. Connect the **ground** wire to the grounding screw.
5. Reinstall the control panel cover and secure with the original mounting screws.

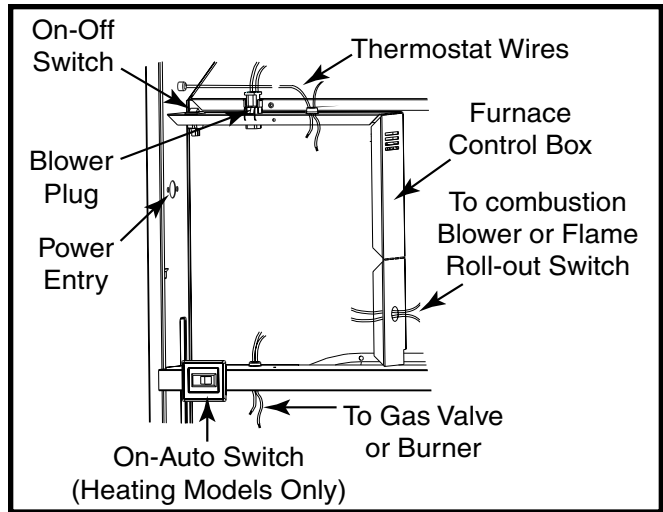


Figure 24. Control Panel (All Models)

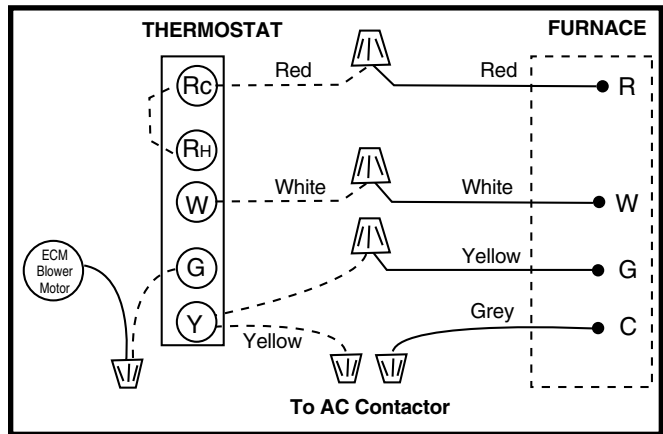


Figure 25. Thermostat Wiring

FURNACE MODEL NUMBER-	FURNACE INPUT (BTUH)	CABINET WIDTH (IN.)	NOMINAL ELECTRICAL SUPPLY	MINIMUM OPERATING VOLTAGE	MAXIMUM OPERATING VOLTAGE	MAXIMUM FURNACE AMPERES	MAXIMUM FUSE OR CIRCUIT BREAKER AMPS*	MINIMUM CIRCUIT AMPACITY ¹
MG1E-056	56,000	19 3/4	115-1-60	103	127	9.4	15	11.8
MG1E-070	70,000	19 3/4	115-1-60	103	127	9.4	15	11.8
MG1E-077	77,000	19 3/4	115-1-60	103	127	9.4	15	11.8
MG1E-090	85,000	19 3/4	115-1-60	103	127	9.4	15	11.8

NOTE: Minimum wire gauge and maximum fuse/circuit breaker amperage are based on MCA¹ and MOP² calculations. This furnace is approved for installation with a 15 or 20 amp fuse/circuit breaker however. Wire sizing must adhere to current version of the NEC and/or applicable local codes depending upon the overcurrent protection.

* Non-time-delay fuses or circuit breakers are required.

THERMOSTAT WIRE GAUGE	RECOMMENDED THERMOSTAT WIRE LENGTH (TOTAL LENGTH)	
	2 - WIRE - HEATING	4 OR 5 WIRE - COOLING
24	55 ft.	25 ft.
22	90 ft.	45 ft.
20	140 ft.	70 ft.
18	225 ft.	110 ft.

Total wire length includes wire from furnace to the thermostat, from thermostat to outdoor unit, & from outdoor unit back to the furnace.

Table 5. Voltage Specifications & Thermostat Wire Gauge

Low Voltage Wiring

- The furnace is designed to be controlled by a 24 VAC thermostat. The thermostat's wiring must comply with the current provisions of the NEC (ANSI/NFPA 70) and with applicable local codes having jurisdiction.
- The thermostat must be installed according to the instructions supplied by the thermostat manufacturer. Low voltage connections (24 VAC) from the thermostat are wired to the terminal strip on the integrated control in the furnace.
- The thermostat should be mounted about 5 feet above the floor on an inside wall. DO NOT install the thermostat on an outside wall or any other location where its operation may be adversely affected by radiant heat from fireplaces, sunlight, or lighting fixtures, and convective heat from warm air registers or electrical appliances. Refer to the thermostat manufacturer's instruction sheet for detailed mounting information.
- The nominal anticipator setting is 0.4. Refer to the thermostat literature for additional information.
- Five-conductor thermostat wire is recommended for 24 volt low-voltage circuit (2-wire is required for furnace only; 5-wire for heating and optional cooling systems). Refer to Table 6 for thermostat wire information.

Connecting Thermostat Wires

1. Insert 24 volt wires through the plastic grommet just above the control panel.
2. Connect the thermostat wires to the furnace low voltage pigtails (dependent on the installation application). See [Figure 25 \(page 13\)](#). **NOTE:** If AC is installed with the furnace, a Y connection is required to be made at the furnace. See [Figure 31 \(page 25\)](#).
3. Connect low-voltage circuit to the wall thermostat.
4. A hole may be made in the furnace cabinet to ease thermostat wiring. Make sure that the wiring is protected from the sharp edge of the added hole.

Verifying Anticipator Setting

After the furnace is installed, check the thermostat anticipator against the nominal setting of 0.4.

1. Connect the milliamp meter in series with one of the gas valve's low voltage terminals.
2. Energize the gas valve.
3. Read the value of the milliamps.
4. Adjust the heat anticipator of the thermostat to the value on the milliamp meter. If the heat anticipator is set too high, the furnace may delay turning on. If set too low, the furnace may cycle frequently and not provide comfort to the homeowner.

Grounding

WARNING:

To minimize personal injury, the furnace cabinet must have an uninterrupted or unbroken electrical ground. The controls used in this furnace require an earth ground to operate properly. Acceptable methods include electrical wire or conduit approved for ground service. Do not use gas piping as an electrical ground!

FUEL SUPPLY & PIPING

WARNING:

FIRE OR EXPLOSION HAZARD

- Failure to follow safety warnings exactly could result in serious injury or property damage.
- Installation and service must be performed by a qualified installer, service agency or the gas supplier.
- Do not store or use gasoline or other flammable vapors and liquids in the vicinity of this or any other appliance.

WHAT TO DO IF YOU SMELL GAS

- Do not try to light any appliance.
- Do not touch any electrical switch; do not use any phone in your building.
- Leave the building immediately.
- Immediately call your gas supplier from a neighbor's phone. Follow the gas supplier's instructions.
- If you cannot reach your gas supplier, call the fire department.

AVERTISSEMENT :

RISQUE D'INCENDIE OU D'EXPLOSION

- Le non-respect des avertissements de sécurité pourrait entraîner des blessures graves ou des dommages matériels importants.
- L'installation et l'entretien doivent être effectués par un installateur qualifié, un organisme de service ou le fournisseur de gaz.
- N'entrez pas ni n'utilisez de l'essence ni d'autres vapeurs ou liquides inflammables dans le voisinage de cet appareil, ni de tout autre appareil.

QUE FAIRE S'IL Y A UNE ODEUR DE GAZ

- N'essayez d'allumer aucun appareil.
- Ne touchez à aucun interrupteur électrique; n'utilisez aucun téléphone dans le bâtiment.
- Évacuez l'immeuble immédiatement.
- Appelez immédiatement votre fournisseur de gaz à l'aide du téléphone d'un voisin. Respectez les instructions du fournisseur de gaz.
- Si personne ne répond, appelez le service des incendies.

WARNING:

All piping must conform with local building codes, or in the absence of local codes, with the most recent edition of the National Fuel Gas Code ANSI Z223.1 or (CAN/CSA B149.1). Failure to follow all safety warnings could result in serious injury, death or property damage.

This furnace may be installed with left, right, or bottom gas entry. When connecting the gas supply, provide clearance between the gas supply line and the entry hole in the furnace casing to avoid unwanted noise and/or damage to the furnace. Typical gas service hookup for this furnace is shown in [Figure 26](#).

[Table 9, \(page 23\)](#) lists gas flow capacities for standard pipe sizes as a function of length in typical applications based on nominal pressure drop in the line.

IMPORTANT NOTES:

- Some local regulations require the installation of a manual main shut-off valve and ground joint union external to the furnace. See [Figure 26](#). The shut-off valve should be readily accessible for service and/or emergency use. Consult the local utility or gas supplier for additional requirements regarding placement of the manual main gas shut-off.
- Per ANSI 21.47, A 1/8-inch NPT plugged tapping, accessible for test gauge connection, must be installed immediately upstream of the gas supply connection to the furnace external to the cabinet. If local codes allow the use of a flexible gas appliance connector, always use a new listed connector. Do not use a connector that has previously serviced another gas appliance.
- Gas piping must never run in or through air ducts, chimneys, gas vents, or elevator shafts.
- Compounds used on threaded joints of gas piping must be resistant to the actions of -liquefied petroleum gases.

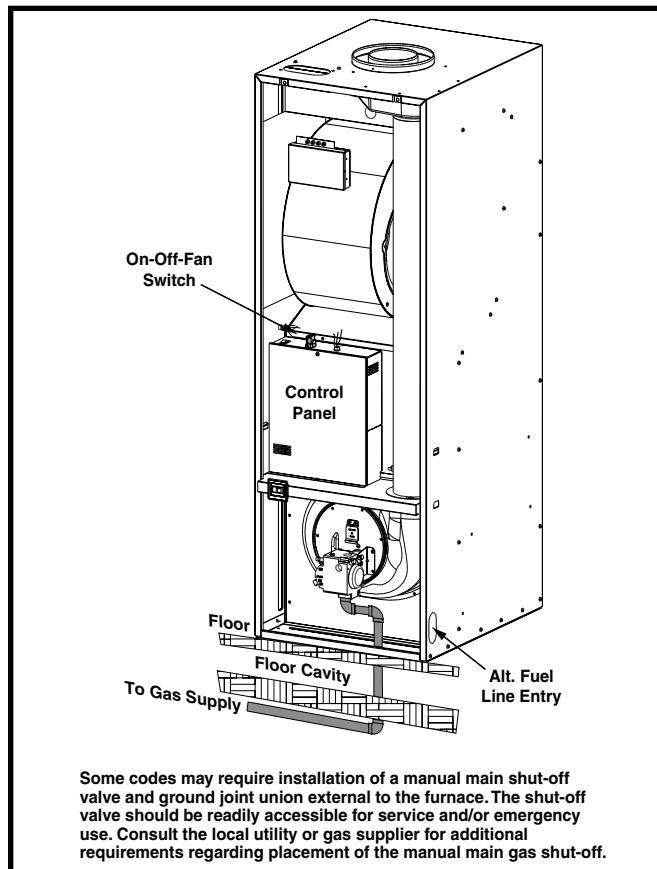


Figure 26. Typical Gas Piping

- The main gas valve and main power disconnect to the furnace must be properly labeled by the installer in case emergency shutdown is required.
- Flexible gas connectors are not recommended for this furnace but may be used if allowed by local jurisdiction. Only new flexible connectors may be used. DO NOT reuse old flexible gas connectors.
- A drip leg is recommended for a vertical run to the unit.
- All piping shall be black iron pipe. Internally tinned copper tubing may be used for gas supply systems.
- Fuel line installations other than typical installations shown in [Figure 26](#) must comply with the fuel piping provisions stated in the Federal Manufactured Home Standard (H.U.D. TITLE 24, PART 3280) and the National Fuel Gas Code (ANSI-Z223.1/NFPA-54).
- Shut-off valve must be designed and listed for use with liquid petroleum (L.P. gas).
- Plugged tappings (1/8" NPT) for test gauge connection are present on the gas valve. See [Figure 27](#) for locations.

NOTE: Optional fuel inlet lines are available for all gas furnace models to permit the addition of a 1/2" F.P.T. shut-off valve above the floor.

The gas supply to your home will either be Natural Gas or L.P. Your furnace is factory equipped to operate on Natural Gas. If your gas supply is L.P., you must contact a qualified serviceman or gas supplier to convert the furnace. Instructions for conversion to propane are shown on [page 17](#). Factory installed orifice sizes are listed in [Table 6, \(page 16\)](#).

For natural gas operation, the maximum inlet pressure for the valve is 7" W.C and the minimum inlet pressure is 4.5" W.C. Pressure is reduced to 3 1/2" W.C. by the pressure regulator in the gas valve.

For LP gas, pressure to the gas valve must be more than 11" W.C. but not more than 13" W.C. Pressure is reduced to 10" W.C. by the pressure regulator in the gas valve.

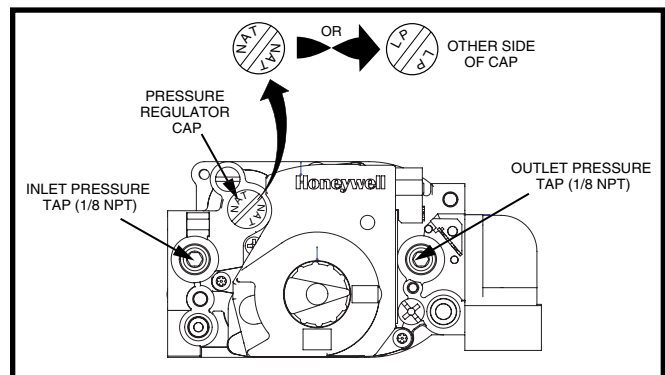


Figure 27. Honeywell Gas Valve

FURNACE MODEL #	INPUT MBTU/H	OUTPUT MBTU/H	ORIFICE NO		E.S.P. IN WC	IGNITOR DIRECT	COMB. BLOWER	MOTOR HP	A/C READY TONS
			NAT.	LP					
MG1E-056	56	46	29	45	0.3	Y	Y	3/4	4
MG1E-070	70	57	24	42	0.3	Y	Y	3/4	4
MG1E-077	77	62	21	40	0.3	Y	Y	3/4	4
MG1E-090	85	68	17	36	0.3	Y	Y	3/4	4

- NOTES:**
- Electrical Supply: 120 volts, 60HZ, 1 Ph. Fuse or Breaker - 15 amps
 - Temperature Rise: 45° F to 75° F
 - High Altitude for US and Canadian installations: See High Altitude section on [page 16](#).
 - Thermostat Circuit: 24 volts, 60HZ, 30 vac
 - Normal Anticipator Setting: 0.4
 - Manifold Pressure for Natural Gas: 3.5" w.c.
 - Manifold Pressure for LP Gas: 10" w.c.

Table 6. MG1 Furnace Specifications - Factory Settings

Leak Check

WARNING:

FIRE OR EXPLOSION HAZARD

Failure to follow safety warnings exactly could result in serious injury or property damage.

Never test for gas leaks with an open flame. Use a commercially available soap solution made specifically for the detection of leaks to check all connections. A fire or explosion may result causing property damage, personal injury or loss of life.

AVERTISSEMENT :

RISQUE D'INCENDIE OU D'EXPLOSION

Le non-respect des avertissements de sécurité pourrait entraîner des blessures graves ou des dommages matériels importants.

N'effectuez jamais d'essai d'étanchéité des gaz avec une flamme nue. Utilisez une solution savonneuse offerte sur le marché conçue spécialement pour la détection des fuites pour vérifier tous les raccordements. Un incendie ou une explosion pourrait survenir et causer des dommages matériels, des blessures ou des pertes de vie.

After the gas piping to the furnace is complete, all connections must be tested for gas leaks. This includes all fittings, pipe connections at the main gas valve, emergency shutoff valve, and flexible gas connectors (if applicable). The soap and water solution can be applied on each joint or union using a small paintbrush. If any bubbling is observed, the connection is not sealed adequately and must be retightened. Repeat the tightening and soap check process until bubbling ceases.

CAUTION:

When pressure testing gas supply lines at pressures greater than 1/2 psig (14 inch W.C.), the gas supply piping system must be disconnected from the furnace to prevent damage to the gas control valve. If the test pressure is less than or equal to 1/2 psig (14 inch W.C.), close the manual shut-off valve

Flue Gas Sampling

It may be necessary to take flue gas sampling in order to check the performance after furnace installation. A flue gas sample may be taken from the heat exchanger, which is located behind the hole of the top-front of blower compartment.

1. Turn off all electric power to the appliance.
2. Remove the black plastic cap located above the blower. Do not discard cap.
3. Drill a hole through the top of the blower compartment. **NOTE:** Hole diameter should be same size as sampling tube.
4. Insert sampling tube through the drilled hole and into the heat exchanger.
5. After a complete check and adjustment of furnace performance, seal the drilled hole with a screw larger than the hole. **NOTE:** Seal the screw threads with silicon sealant - rated at least 500° F.
6. Plug the outside hole with the plastic cap removed in step 3.

High Altitude Conversion

WARNING:

The reduction of input rating necessary for high altitude installation may only be accomplished with factory supplied orifices. Do not attempt to drill out orifices in the field. Improperly drilled orifices may cause fire, explosion, carbon monoxide poisoning, personal injury or death.

High altitude conversion with this furnace depends on the installation altitude and the heating value of the gas. The installation of this furnace at altitudes above 2,000 feet must meet the requirements of the National Fuel Gas

Code or local jurisdiction. In Canada, the requirements for high altitude are different and governed by CSA B149.1. Always consult your local code authority.

This furnace is shipped from the factory with orifices and gas regulator settings for natural gas operation at sea level altitudes. At 2,000 feet, the NFGC requires that this appliance be derated 4% for each 1000 feet of altitude. For example, the input needs to be reduced 8% at 2,000 feet, 12% at 3,000 feet and etc. This deration is in reference to the input rate and gas heating value at sea level.

To derate the furnace requires knowing the heating value of the gas at the installation site. Heating values at particular job sites vary for two reasons:

1. The chemical mixture of the gas varies from region to region and is expressed as the “sea level heating value”.
2. The heating value varies by altitude. For this reason, especially in high altitude areas, the local gas utility specifies the heating value at the residence’s gas meter as the “local value”.

For added flexibility, two tables have been provided for natural gas installations with high or low heating values at sea level. [Table 11, \(page 24\)](#) & [Table 12, \(page 24\)](#) contain the manifold pressure and orifice sizes to use at various altitudes. [Table 11 \(HIGH\)](#) is for natural gas installations with a heating value of more than 1,000 Btu per cubic foot and [Table 12 \(LOW\)](#) is for less than 1,000 Btu per cubic foot. To determine which table to use:

1. Consult the local utility for the local heating value at your installation site.
2. From [Table 10, \(page 24\)](#), find your local heating value as supplied by the utility company. Follow down the column and stop at your altitude level.
3. If your sea level heating value is HIGH, use [Table 11](#) or if it’s LOW, use [Table 12](#). See [Example](#).

After changing the orifices, it is required that you measure the gas input rate. This may be accomplished in the usual way, by clocking the gas meter and using the local gas heating value. See [Verifying Input Rate \(page 19\)](#).

IMPORTANT NOTE:

Observe the action of the burners to make sure there is no yellowing, lifting or flashback of the flame.

Installation Example	
Elevation:	5,000 feet
Type of Gas:	Natural Gas
Local Heating Value of Gas:	750
Determine which natural gas table to use. From Table 10, (page 24) , find 750 and follow down the column, stop at the 5,000 feet row. The heating value listed is LOW. Table 12, (page 24) will be used to determine orifice size and verify manifold pressure.	

Conversion to Propane (LP) Gas

WARNING:

This furnace was shipped from the factory equipped to operate on natural gas. Conversion to LP/propane gas must be performed by qualified service personnel using factory supplied conversion parts. Failure to use the proper conversion kit can cause fire, explosion, property damage, carbon monoxide poisoning, personal injury, or death.

WARNING:

Shut off the gas supply at the manual gas shutoff valve, before disconnecting the electrical power. A fire or explosion may result causing property damage, personal injury or loss of life. Failure to follow the safety warnings exactly could result in serious injury, death or property damage.

WARNING:

To avoid electric shock, personal injury, or death, turn off the electric power at the disconnect or the main service panel before making any electrical connections.

This furnace can be converted from factory-equipped natural gas to liquid propane gas. Conversion of this valve requires replacement of the burner orifice and flipping the regulator cap to the side marked LP. The orifice required for conversion is supplied with the furnace. See [Figure 27](#).

For altitudes between 0 and 1,999 feet, use the factory supplied LP orifice as shown in [Table 6, \(page 16\)](#).

Altitudes between 2,000 and 10,000 feet require the orifice to be changed. [Table 13, \(page 24\)](#) lists the correct orifice size and manifold pressure at different altitudes.

Atmospheric & Direct Ignition Furnaces

1. Follow the instructions in “How to Shut Off Gas - Direct Ignition” on [page 19](#).
2. Disconnect the gas pipe union and the electrical wires connected to the gas valve.
3. Remove the gas valve assembly:
4. Remove screw(s) from gas valve bracket. Gas valve and spud may be removed. Orifice is located at the end of the spud.
5. Replace the main orifice with the L.P. gas orifice supplied in the envelope located by the gas valve. Verify the orifice size matches the nameplate or [Table 6, \(page 16\)](#).
6. Unscrew the pressure regulator cap and check for the letters NAT or LP. See [Figure 27 \(page 15\)](#).
7. Invert the cap and tighten until snug.
8. Reassemble the burner assembly into the furnace.

9. Reconnect the gas piping and electrical wires to the gas valve.
10. Open the manual shut-off valve and follow the Operating Instructions on [page 19](#).

Measuring the Supply Gas Pressure

To obtain an accurate pressure reading, turn off all gas appliances (i.e. Dryers, water heaters, stoves, etc.) at their ON/OFF control or individual gas valves.

1. Remove the inlet pressure plug from the INLET side of the gas valve with a 3/16 Allen wrench. See [Figure 27](#).
2. Install a 1/8 NPT fitting, which is compatible with a manometer or similar pressure gauge.
3. Connect the manometer or pressure gauge to the inlet pressure tap.
4. Turn on all electrical power to the furnace.
5. Turn the main gas supply valve (on the outside of the unit) to the ON position.
6. Start the furnace by adjusting the thermostat to it's highest setting. Allow the furnace to run for 10 minutes.
7. Check the incoming gas line pressure. Propane gas furnaces must be between 11.0"-14.0" W.C. Natural gas installations must be between 4.5"-10.0" W.C. If the pressure is not between these specified ranges, contact your local gas supplier for adjustment.
8. Adjust the thermostat to it's lowest setting and allow the unit to cycle off.
9. Turn the main gas supply valve (on the outside of the unit) to the OFF position.
10. Turn off all electrical power to the furnace.
11. Disconnect the manometer or pressure gauge.
12. Remove the NPT fitting and reinstall the inlet pressure plug. **NOTE:** To prevent cross threading, hand tighten the plug first, then tighten with 3/16 Allen wrench.

Measuring the Manifold Pressure

The manifold pressure must be measured by installing a pressure gauge (Manometer, Magnehelic Meter, etc.) to the outlet end of the gas valve.

1. Remove the manifold pressure plug from the outlet side of the gas valve with a 3/16 Allen wrench. See [Figure 27 \(page 15\)](#).
2. Install a 1/8 NPT fitting, which is compatible with a Manometer or similar pressure gauge.
3. Connect the manometer or pressure gauge to the pipe thread fitting.
4. Start the furnace by adjusting the thermostat 5 degrees above room temperature. Allow the furnace to operate for 3 minutes.
5. Measure the manifold pressure on the manometer or pressure gauge. Compare the measured value to the value in [Table 11, \(page 24\)](#), [Table 12, \(page 24\)](#), or [Table 13, \(page 24\)](#).
6. Replace the cap so that the letters facing up represent the type of gas being used for the furnace. See [Figure 27 \(page 15\)](#).
7. Adjust the thermostat to its lowest setting.
8. Turn off the main gas supply to the unit at the manual shut-off valve, which is located outside of the unit.

9. Turn off all of the electrical power to the furnace.
10. Disconnect the manometer or pressure gauge.
11. Remove the 1/8 NPT fitting and reinstall the manifold pressure plug. **NOTE:** To prevent cross threading, hand tighten the plug first then tighten with 3/16 Allen wrench.

STARTUP & ADJUSTMENTS

PLEASE READ ALL SAFETY INFORMATION BEFORE LIGHTING THE FURNACE

WARNING:

FIRE OR EXPLOSION HAZARD

- **Failure to follow safety warnings exactly could result in serious injury or property damage.**
- **Installation and service must be performed by a qualified installer, service agency or the gas supplier.**
- **Do not store or use gasoline or other flammable vapors and liquids in the vicinity of this or any other appliance.**

WHAT TO DO IF YOU SMELL GAS

- **Do not try to light any appliance.**
- **Do not touch any electrical switch; do not use any phone in your building.**
- **Leave the building immediately.**
- **Immediately call your gas supplier from a neighbor's phone. Follow the gas supplier's instructions.**
- **If you cannot reach your gas supplier, call the fire department.**

AVERTISSEMENT :

RISQUE D'INCENDIE OU D'EXPLOSION

- **Le non-respect des avertissements de sécurité pourrait entraîner des blessures graves ou des dommages matériels importants.**
- **L'installation et l'entretien doivent être effectués par un installateur qualifié, un organisme de service ou le fournisseur de gaz.**
- **N'entrez pas ni n'utilisez de l'essence ni d'autres vapeurs ou liquides inflammables dans le voisinage de cet appareil, ni de tout autre appareil.**

QUE FAIRE S'IL Y A UNE ODEUR DE GAZ

- **N'essayez d'allumer aucun appareil.**
- **Ne touchez à aucun interrupteur électrique; n'utilisez aucun téléphone dans le bâtiment.**
- **Évacuez l'immeuble immédiatement.**
- **Appelez immédiatement votre fournisseur de gaz à l'aide du téléphone d'un voisin. Respectez les instructions du fournisseur de gaz.**
- **Si personne ne répond, appelez le service des incendies.**

⚠ WARNING:

Before placing the furnace in service, it must be checked to ensure it is equipped for the type of gas being used. The burner flame must be observed and adjusted if necessary. Failure to observe this caution may result in unsafe operation, explosion and/or fire, or asphyxiation. See the Gas Supply and Combustion Air sections.

- **The first operation of the furnace after any home setup must be performed by a qualified service technician.**
 - **BEFORE STARTUP:** Smell all around the furnace for gas and next to the floor. Some gas is heavier than air and may settle on the floor.
 - Do not use this furnace if any part has been under water. Immediately call a service technician to inspect the furnace and to replace any part of the gas valve or control system which has been under water.
-

⚠ WARNING:

Close the hinged fire door. If door is left open or spring is broken it may allow products of combustion into the living space by the furnace blower, resulting in possible asphyxiation.

⚠ WARNING:

Should overheating occur, or the gas supply fails to shut off, shut off the manual gas valve to the furnace before shutting off the electrical supply.

⚠ AVERTISSEMENT :

En cas de surchauffe, ou si l'alimentation de gaz omet de s'arrêter, fermez le robinet de gaz manuel à la fournaise avant de couper l'alimentation électrique.

Operating Instructions (Direct Ignition Furnaces)

Direct ignition furnaces do not have a pilot. Ignition is accomplished by a hot surface ignitor. A circuit board takes care of all timing functions. After lighting, the circuit board uses the ignitor as a flame sensor, shutting off gas should the flame go out. There are no external relays or timing devices. **Do not try to light this furnace by hand. The circuit board is not field serviceable.**

1. Set the thermostat to the lowest setting.
2. Turn off all electric power to the appliance.
3. Remove the furnace door and turn off the gas valve. Push in and turn the gas control knob clockwise to **OFF**. See [Figure 28 \(page 20\)](#).
4. Wait ten (10) minutes to clear out any gas. If you smell gas, **STOP!** and follow the Safety Information. If you do not smell gas, proceed to step 5.

5. Set the thermostat MODE the **ON** position.
6. Turn the gas valve ON. Push in and turn gas control knob counter-clockwise to **ON** ([Figure 28](#)).
7. Replace the furnace door.
8. Turn on all electric power to the appliance.
9. Change the thermostat mode to **HEAT** and the temperature selector to a desired temperature level. The igniter should light in approximately 75 seconds. If the appliance will not operate, see "How to Shut Off Gas - Direct Ignition" on [page 19](#) and call your service technician or gas supplier.

NOTE: In the event of any flashback or explosion, immediately shut off the furnace and call your service technician.

How to Shut Off Gas - Direct Ignition Models

1. Set the thermostat to the lowest setting.
2. Turn off all electric power to the appliance before servicing unit.
3. Set the furnace On-Off Switch to **OFF**.
4. Turn gas control knob clockwise to **OFF** ([Figure 28](#)).
5. Replace the furnace door.

Verifying Input Rate

IMPORTANT NOTE:

The input rate must not exceed the rate shown on the furnace rating plate. At altitudes above 2,000 feet, it must not exceed that on the rating plate less 4% for each 1,000 feet.

The input rate must be verified for each installation to prevent over-firing of the furnace. To determine the exact input rate, perform the following procedures:

1. Shut off all other gas fired appliances.
2. Start the furnace and run it for at least 3 minutes.
3. Measure the time (in seconds) required for the gas meter to complete one revolution.
4. Convert the time per revolution to cubic feet of gas per hour using [Table 8, \(page 23\)](#).
5. Multiply the gas flow rate in cubic ft per hr by the heating value of the gas in Btu per cubic ft to obtain the input rate in Btuh. See example.

Example:

- Time for 1 revolution of a gas meter with a 1 cubic ft dial = 40 seconds.
- From [Table 8](#) read 90 cubic ft gas per hr.
- Local heating value of the gas (obtained from gas supplier) = 1,040 Btu per cubic ft.
- Input rate = 1,040 x 90 = 93,600 Btuh.

6. The manifold pressure must be verified for each installation by a qualified installer, service agency or the gas supplier. See [page 18](#).

Verifying & Adjusting Temperature Rise

Confirm the temperature rise through the furnace is within the limits specified on the furnace rating plate. Any temperature rise outside the specified limits could result in premature failure of the heat exchanger.

1. Place thermometers in the return and supply air stream as close to the furnace as possible. To avoid false

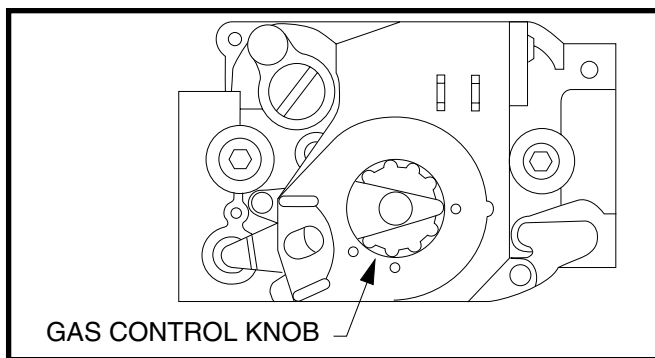


Figure 28. Direct Ignition Gas Valve - Honeywell

readings, the thermometer on the supply air side must be shielded from direct radiation from the heat exchanger.

- Adjust all registers and duct dampers to the desired position and run the furnace for 10 to 15 minutes in high fire before taking any temperature readings. The temperature rise is the difference between the supply and return air temperatures.

For typical duct systems, the temperature rise will fall within the limits specified on the rating plate with the blower speed at the factory recommended setting. If the measured temperature rise is outside the specified limits, it may be necessary to change the speed of the blower. **NOTE:** Lowering the blower speed increases the temperature rise and a higher blower speed will decrease the temperature rise.

The furnace is equipped with a multi-tap ECM motor. For alternate motor tap selections see [Table 14, \(page 26\)](#) & [Table 15, \(page 27\)](#).

Burner Adjustments

⚠ CAUTION:

- Adjustment must be made only by a qualified technician. Improper air adjustment may cause unsafe operation, explosion and/or fire asphyxiation.**
- If the input to the furnace is too great because of excessive gas pressure, wrong size nozzle or orifice, high altitude, etc., the burner flame will be sooty and can produce carbon monoxide, which could result in unsafe operation, explosion and/or fire or asphyxiation.**

Burner settings are made at the factory. However, these settings may change during shipping, handling, and installation. The following items should be checked and readjusted if necessary.

Gas Pressure

The gas pressure can be checked with a manometer at the pressure tap located on the top of the gas valve. Natural gas manifold pressure should be 3.5" W.C. and L.P. gas manifold pressure should be 10" W.C. Replace the gas pressure tap plug on the gas valve. See [Figure 27 \(page 15\)](#).

OPERATING SEQUENCE

Direct Ignition Furnaces

- On a call for heat, the thermostat contacts close, supplying 24 VAC between terminals **C** and **W** of the control module.
- When the inducer starts, the air pressure switch closes at -0.30 W.C. differential pressure and energizes the gas valve.
- After a 45 second purge, the ignitor is energized for a 30 second warm-up period. After warm up, the gas valve opens. **NOTE:** The time for ignition is approximately 6 seconds, after which the gas valve either remains open if flame is sensed, or closes if flame is not sensed.
- If flame is not sensed, the sequence repeats four more times before a lockout occurs. To reset, wait 30 seconds and then interrupt the 24 VAC power by turning the room thermostat below room temperature, then returning it to the original set point.
- If flame does not establish on the 5th attempt (initial fire + 4 re-tries), the control de-energizes the gas valve, the **red** LED flashes 4 times, and the furnace locks out heat operation for 1 hour. See [Table 7, \(page 21\)](#).
- If a flame is present, the control energizes the main blower on heat speed 30 seconds after the gas valve opens.

⚠ WARNING:

Should overheating occur or the gas supply fails to shut off, shut off the manual gas valve to the furnace before shutting off the electrical supply.

- When call for heat is satisfied the thermostat contacts open, the gas valve shuts off gas flow and the combustion blower remains on for a 30 second post-purge period.
- The main blower is de-energized after a 120 second blower off delay.

TROUBLESHOOTING

High Gas Bills

- Verify the proper orifice is being used. See [Table 6, \(page 16\)](#).
- Check the return air system. Is it clear and free of blockage?
- Check the furnace filter. Is it clean or need replacing?
- Verify the home is insulated, windows and doors fit tightly, and there are no leaks in the heating duct system.
- Check the room thermostat. Is the setting higher than necessary? Low humidity requires higher temperatures for the same level of comfort. Check for proper humidity level in the home.

Burner Motor won't Run - T-stat Calls for Heat

- Check the electrical supply to the furnace.
- Verify the furnace On-Off switch is in the ON position. See [Figure 27 \(page 15\)](#) or [Figure 28 \(page 20\)](#).
- Defective thermostat circuit - white and red thermostat low voltage leads. If the combustion fan runs, check:
 - Thermostat connections
 - Thermostat

CONTROL MODULE STATUS INDICATORS - MG1 SERIES	
RED LED INDICATOR	STATUS
Steady ON	Control OK
Steady OFF	No power
Rapid flash	False flame or internal control fault
One flash	Limit switch is open
Two flashes	Pressure switch is open
Three flashes	Pressure switch is stuck closed
Four flashes	Lockout due to failed ignition
Five flashes	L1 neutral reversed or L1 voltage not present on L1

Flame Status - A Yellow LED labeled "Flame" is provided to indicate flame status. When flame is sensed, the flame LED is lit. If flame sense is weak, yellow LED will flash.

Table 7. Control Module Status Indicators

- No voltage to control module - determine if 24 volts (or 120 volts) is available to the control module. If voltage is not available check for:
 - Blown fuse, defective transformer, circuit breaker, no electrical supply.
 - Limit switch open.
 - Loose connections.

Combustion Blower Runs, Ignitor Heats Up But No Flame

- Defective pressure switch - check air tube and electrical connections.
- Burner in purge mode - allow 75 seconds for flame establishing period.
- Check for proper electrical connections at purge timer, control box, or gas valve.
- Check for gas supply - gas line valve on, control lever on.
- Check for blockage in combustion / vent pipe or heat exchanger.

120 VAC Is Available At AMP Plug - Ignitor Does Not Heat Up

- Disconnect power to the furnace.
- Disconnect AMP plug to the ignitor, and check ignitor resistance with an ohm meter. Set on RX1 scale.
 - Normal reading should be 40 - 75 ohms.
 - If above or below this rating at room temperature change ignitor.
- Check for continuity from ignitor receptacle to burner.
- Disconnect ignitor leads at AMP receptacle and check for 120 volts at the plug during ignition sequence.
- Replace ignition control if 120 volts is not available at AMP plug during ignition sequence.

Main Flame Ignites - Burner Locks Out

- Ignition control is not properly grounded.
- Defective ignition control.
- Improper polarity of 120 volt power supply.
- Ignitor has hairline crack.
- Improper gas pressure or burner air adjustment is not allowing flame to contact ignitor tip for flame rectification.
- Misaligned ignitor does not allow flame to contact ignitor tip for flame rectification.

Burner Short Cycling - Thermostat Calls for Heat, Limit Switches Closed

- Check for polarity.
- Check ground.
- Check flue.
- Check combustion air.
- Check gas pressure.
- Check orifice.
- Check the position of ignitor, a normal reading should be 40-75 ohms.

24 Volts Supplied To Gas Valve During Ignition - No Main Gas Flow

- Gas valve may be defective. Replace if necessary.
- Gas piping may be plugged. Check for adequate gas supply to gas valve at union.

Burner Operates - Insufficient Heat

- Check thermostat for proper setting and location. Thermostat should not be located where it will be affected by another heat source.
- Check for clean filter and proper air flow.
- Check burner for proper gas firing rate.
- Be sure unit is not undersized for its thermal load.
- Check thermostat anticipator. The nominal setting is 0.4.

Burner Flame Without Motor Running

- Gas valve stuck open, check gas valve for proper operation (replace if necessary) and inspect heat exchanger.
- Check for 115 volts to the combustion blower motor; replace if necessary.
- If no power to combustion blower then check wiring and control module; replace if necessary.

Circulation Air Blower Will Not Operate Even Though The Burner Does Operate

- Check thermostat **G** connection to the motor.
- Check 115 Volts wiring to motor.
- Check for a defective motor.

FURNACE CONTROLS & FUNCTIONS

Furnace On / Off Switch: This switch turns electrical power to the furnace on and off. The switch must be set in the ON position for the furnace to operate. If blower operation is not desired, the furnace On-Off switch may be set in the Off position to cut the electrical power to the furnace. See [Figure 26 \(page 15\)](#).

Limit Control: This furnace is protected by two high temperature safety limit switches. The auxiliary (upper) limit switch and the high temperature (lower) limit switch are automatic reset types. If either limit trips, the burner will shut off. If either limit switch trips off again soon after resetting, set the furnace On-Off switch to the Off position and call your authorized serviceman. See [Figure 26](#).

Blower Off Delay: When the blower fan operates under cooling mode, there is a 40 second delay after the call for cooling (from the thermostat) is satisfied before the blower turns off.

Gas Valve: The gas valves for the gas furnaces are a 100% shut-off type and will fail safe, if for some reason the gas is turned off. The valve is a “slow-open” for MG1 models which means it opens to a low-fire position, and after a few seconds, “steps-open” to high-fire.

Summer Cooling : The unit is equipped to use a 4-wire thermostat. When using a 5-wire thermostat, RC and RH should be jumped (see instructions included with thermostat). **NOTE:** The MG1 furnace requires a Y connection to the furnace. See [Figure 31 \(page 25\)](#).

MAINTENANCE

Installer Information

All furnaces need periodic service at the beginning of each heating season. Call your qualified service contractor for these items:

- Remove the air circulator and clean all dust and lint from the unit with a stiff bristle brush.
- Inspect the combustion chamber blower compartment, flue collar and Roof Jack.
- Check the gas valve (if applicable) and fuel line connections for leaks.
- Make any adjustments necessary for good operation.

WARNING:

Use of furnace or air conditioning components that are not included in the certification of this appliance may create a hazard, invalidate the certification, and in many states, make installations illegal. Listed air conditioning components are specified on the furnace label.

OPTIONAL ACCESSORIES

Necessary when the furnace is used with packaged air conditioners

If an air conditioner is installed that does not use the furnace blower for air distribution and operates independently of the furnace, the thermostat system must have an interlock to prevent the furnace and air conditioner from operating at the same time. This interlock system usually contains either a “Heat-Cool” switch which must be turned to one of the positions to activate heat or cool operation, or a positive “OFF” switch on the cooling thermostat.

The furnace must also be equipped with an automatic damper to prevent cold air from being discharged up around the heat exchanger (p/n 901996 for furnaces without coil cavity, or p/n 901083 with coil cavity). See [Figure 29](#) or [Figure 30](#). Cold air may cause condensation inside the heat exchanger which can rust and lead to early failure.

Optional Add-On Air Conditioning

Whether split system or single package, an energy-saving air conditioner is available that has been designed specifically for manufactured housing applications and can best handle your home comfort needs. Ask your dealer or contractor about add-on central air conditioning systems.

Single package unit includes cooling coils, compressor, and vertical discharge fan. This type of unit connects with the existing home air duct system (an optional close-off damper is required with the furnace).

Split system unit with vertical discharge for quiet operation connects with cooling coil furnace (optional coil cavity required with “A” model furnaces).

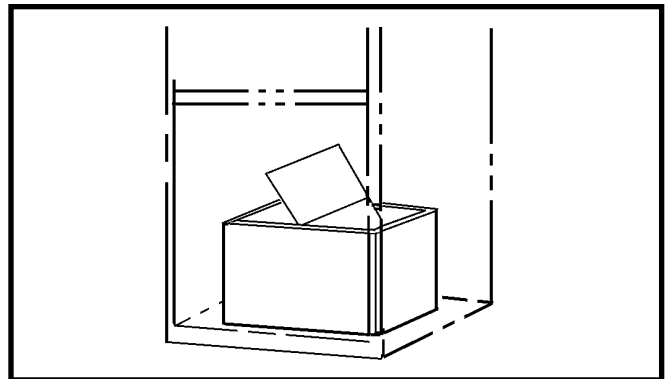


Figure 29. With Coil Cavity Damper

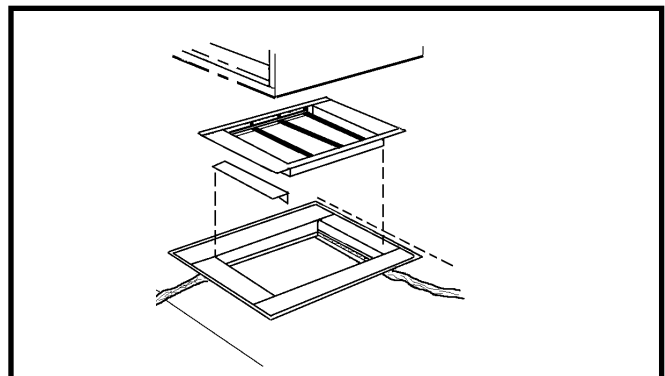


Figure 30. Without Coil Cavity Damper

FIGURES & TABLES

Gas Information

GAS FLOW RATES (CUBIC FEET PER HOUR)				GAS FLOW RATES (CUBIC FEET PER HOUR)			
TIME FOR ONE REVOLUTION (SECONDS)	CUBIC FEET PER REVOLUTION OF GAS METER			TIME FOR ONE REVOLUTION (SECONDS)	CUBIC FEET PER REVOLUTION OF GAS METER		
	1	5	10		1	5	10
10	360	1,800	3,600	66	55	273	545
12	300	1,500	3,000	68	53	265	529
14	257	1,286	2,571	70	51	257	514
16	225	1,125	2,250	72	50	250	500
18	200	1,000	2,000	74	49	243	486
20	180	900	1,800	76	47	237	474
22	164	818	1,636	78	46	231	462
24	150	750	1,500	80	45	225	450
26	138	692	1,385	82	44	220	439
28	129	643	1,286	84	43	214	429
30	120	600	1,200	86	42	209	419
32	113	563	1,125	88	41	205	409
34	106	529	1,059	90	40	200	400
36	100	500	1,000	92	39	196	391
38	95	474	947	94	38	191	383
40	90	450	900	96	38	188	375
42	86	429	857	98	37	184	367
44	82	409	818	100	36	180	360
46	78	391	783	102	35	176	353
48	75	375	750	104	35	173	346
50	72	360	720	106	34	170	340
52	69	346	692	108	33	167	333
54	67	333	667	110	33	164	327
56	64	321	643	112	32	161	321
58	62	310	621	114	32	158	316
60	60	300	600	116	31	155	310
62	58	290	581	118	31	153	305
64	56	281	563	120	30	150	300

Table 8. Gas Flow Rates

CAPACITY OF BLACK IRON GAS PIPE (CU. FT. PER HOUR) FOR NATURAL GAS (SPECIFIC GRAVITY - 0.60)								
NOMINAL PIPE DIAMETER (IN.)	LENGTH OF PIPE RUN (FEET)							
	10	20	30	40	50	60	70	80
1/2	130	90	75	65	55	50	45	40
3/4	280	190	150	130	115	105	95	90
1	520	350	285	245	215	195	180	170
1 1/4	1,050	730	590	500	440	400	370	350
1 1/2	1,600	1,100	890	760	670	610		

$$\text{Cubic Feet Per Hour Required} = \frac{\text{Input To Furnace (Btu/hr)}}{\text{Heating Value of Gas (Btu/Cu. Ft.)}}$$

NOTE: The cubic feet per hour listed in the table above must be greater than the cubic feet per hour of gas flow required by the furnace. To determine the cubic feet per hour of gas flow required by the furnace, divide the input rate of the furnace by the heating value (from gas supplier) of the gas.

Table 9. Gas Pipe Capacities

LOCAL HEATING VALUES FOR NATURAL GAS									
ALTITUDE ABOVE SEA LEVEL	BTU PER CUBIC FOOT								
	650	700	750	800	850	900	950	1,000	1,050
2,000 FT	LOW	LOW	LOW	LOW	LOW	LOW	HIGH	HIGH	HIGH
3,000 FT	LOW	LOW	LOW	LOW	LOW	LOW	HIGH	HIGH	HIGH
4,000 FT	LOW	LOW	LOW	LOW	LOW	HIGH	HIGH	HIGH	HIGH
5,000 FT	LOW	LOW	LOW	LOW	LOW	HIGH	HIGH	HIGH	HIGH
6,000 FT	LOW	LOW	LOW	LOW	HIGH	HIGH	HIGH	HIGH	HIGH
7,000 FT	LOW	LOW	LOW	LOW	HIGH	HIGH	HIGH	HIGH	HIGH
8,000 FT	LOW	LOW	LOW	HIGH	HIGH	HIGH	HIGH	HIGH	HIGH
9,000 FT	LOW	LOW	LOW	HIGH	HIGH	HIGH	HIGH	HIGH	HIGH
10,000 FT	LOW	LOW	HIGH	HIGH	HIGH	HIGH	HIGH	HIGH	HIGH

Table 10. Natural Gas Heating Values

NATURAL GAS - HIGH HEATING VALUE					
ALTITUDE ABOVE SEA LEVEL	FURNACE MODELS				MANIFOLD PRESSURE IS 3.5 IN WC (GAS VALVE SETTING FOR NAT. GAS)
	MG1-056	MG1-070	MG1-077	MG1-090	
0 to 1,999 FT	29	24	21	17	Factory Orifice Size
2,000 to 2,999 FT	29	26	23	18	Service Orifice Size
3,000 to 3,999 FT	30	26	24	19	Service Orifice Size
4,000 to 4,999 FT	30	27	25	20	Service Orifice Size
5,000 to 5,999 FT	30	28	26	21	Service Orifice Size
6,000 to 6,999 FT	30	28	27	22	Service Orifice Size
7,000 to 7,999 FT	31	29	27	23	Service Orifice Size
8,000 to 8,999 FT	31	29	28	24	Service Orifice Size
9,000 to 9,999 FT	32	30	29	25	Service Orifice Size

Table 11. High Altitude Deration Chart for Natural Gas - High Heating Value

NATURAL GAS - LOW HEATING VALUE					
ALTITUDE ABOVE SEA LEVEL	FURNACE MODELS				MANIFOLD PRESSURE IS 3.5 IN WC (GAS VALVE SETTING FOR NAT. GAS)
	MG1-056	MG1-070	MG1-077	MG1-090	
0 to 1,999 FT	29	24	21	17	Factory Orifice Size
2,000 to 2,999 FT	29	24	20	17	Service Orifice Size
3,000 to 3,999 FT	29	25	21	18	Service Orifice Size
4,000 to 4,999 FT	29	26	22	19	Service Orifice Size
5,000 to 5,999 FT	30	27	23	20	Service Orifice Size
6,000 to 6,999 FT	30	27	24	21	Service Orifice Size
7,000 to 7,999 FT	30	28	25	22	Service Orifice Size
8,000 to 8,999 FT	31	29	26	23	Service Orifice Size
9,000 to 9,999 FT	31	29	27	24	Service Orifice Size

Table 12. High Altitude Deration Chart for Natural Gas - Low Heating Value

PROPANE GAS					
ALTITUDE ABOVE SEA LEVEL	FURNACE MODELS				MANIFOLD PRESSURE IS 10 IN WC (GAS VALVE SETTING FOR LP GAS)
	MG1-056	MG1-070	MG1-077	MG1-090	
0 to 1,999 FT	45	42	40	36	Conversion Orifice Size
2,000 to 2,999 FT	47	42	41	37	Service Orifice Size
3,000 to 3,999 FT	47	43	42	38	Service Orifice Size
4,000 to 4,999 FT	47	43	42	39	Service Orifice Size
5,000 to 5,999 FT	48	44	43	40	Service Orifice Size
6,000 to 6,999 FT	48	44	43	41	Service Orifice Size
7,000 to 7,999 FT	49	44	43	42	Service Orifice Size
8,000 to 8,999 FT	49	45	44	42	Service Orifice Size
9,000 to 9,999 FT	50	46	45	43	Service Orifice Size

NOTES: Includes 4% Input Reduction for Each 1,000 Feet. Reference Sources: ANSI Z223.1, CSA B149.1, NFPA 54, National Fuel Gas Code.

Table 13. High Altitude Deration Chart for Propane Gas

Electrical Information

WIRING DIAGRAM

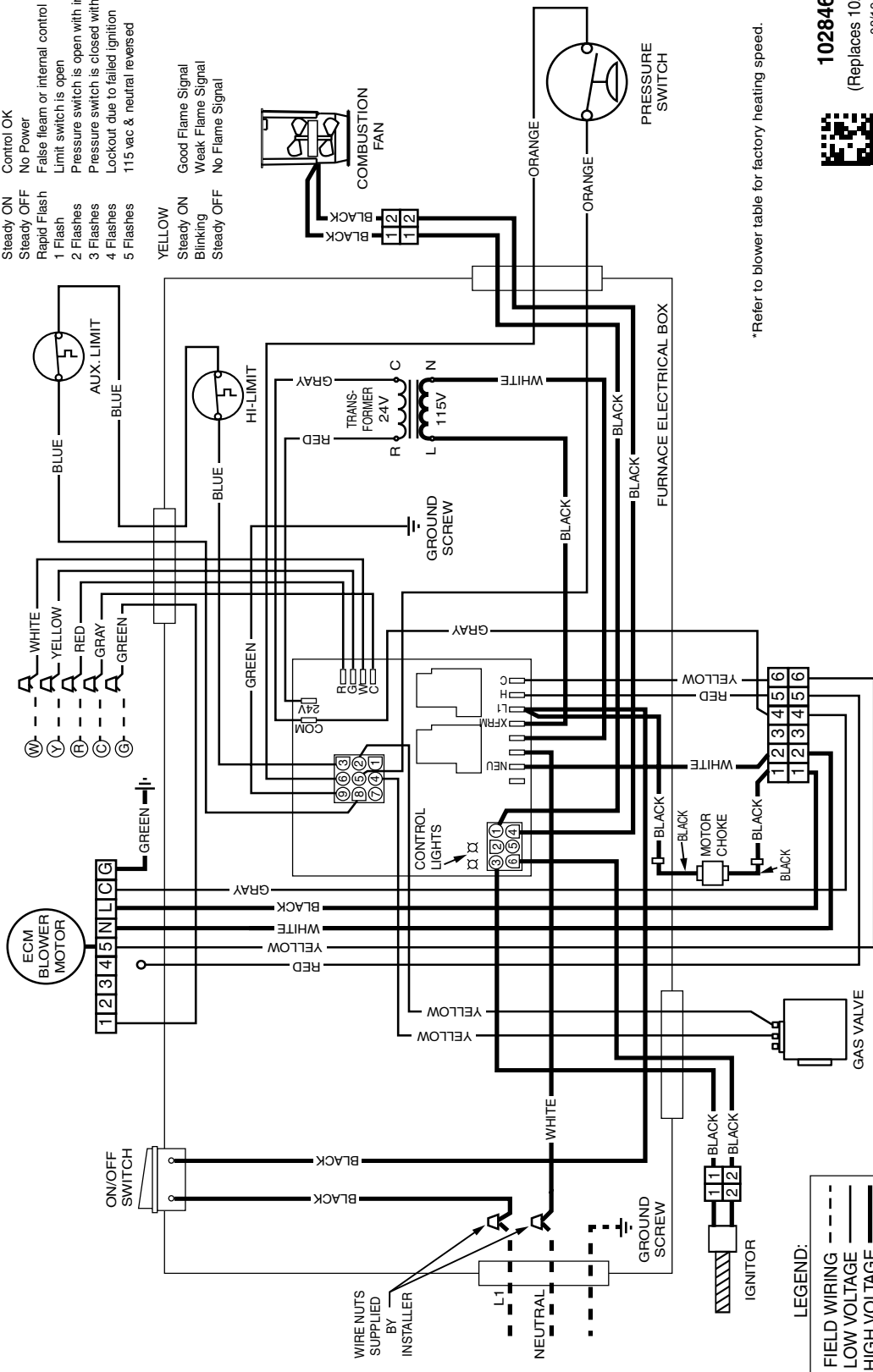
Gas Direct Ignition Furnace, Heating & A/C Ready, MG1E All Models.

NOTES:

1. Incoming power must be polarized. Observe color coding. (See furnace data label for electrical information.)
2. If any of the original wires (as supplied with the appliance) must be replaced, use 105°C Thermoplastic type wire or its equivalent.
3. A wire from "Y" on the thermostat to the furnace is required.

CONTROL LIGHT STATUS

RED	Steady ON	Control OK
	Steady OFF	No Power
	Rapid Flash	False flame or internal control fault
	1 Flash	Limit switch is open
	2 Flashes	Pressure switch is open with inducer on
	3 Flashes	Pressure switch is closed with inducer off
	4 Flashes	Lockout due to failed ignition
	5 Flashes	115 vac & neutral reversed
YELLOW	Steady ON	Good Flame Signal
	Blinking	Weak Flame Signal
	Steady OFF	No Flame Signal



*Refer to blower table for factory heating speed.



10284610
(Replaces 1027325A)
08/19

Figure 31. Gas Direct Ignition Furnace, Heating & A/C Ready - All MG1 Models

Airflow Data

MG1E-056F1A(A,B)M1											
MODEL NAME/ HEATING INPUT	MOTOR SPEED	EXTERNAL STATIC PRESSURE (IN. W.C.)									
		0.1		0.2		0.3		0.4		0.5	
		CFM	RISE	CFM	RISE	CFM	RISE	CFM	RISE	CFM	RISE
MG1E-056F1AAM1 56,000 BTU/Hr	5 - High										
	4 - Alternate										
	3 - Med-Hi*					928	45	876	47	829	50
	2 - Med-Low	890	47	843	49	790	53	735	56	683	61
	1 - Low	798	52	749	55	695	60	629	66		

MG1E-070F1A(A,B)M1											
MODEL NAME/ HEATING INPUT	MOTOR SPEED	EXTERNAL STATIC PRESSURE (IN. W.C.)									
		0.1		0.2		0.3		0.4		0.5	
		CFM	RISE	CFM	RISE	CFM	RISE	CFM	RISE	CFM	RISE
MG1E-070F1AAM1 70,000 BTU/Hr	5 - High										
	4 - Alternate										
	3 - Med-High*	1,212	43	1,178	44	1,148	45	1,114	47	1,079	48
	2 - Med-Low	931	56	886	59	836	62	782	66	732	71
	1 - Low										

MG1E-077F1AAM1											
MODEL NAME/ HEATING INPUT	MOTOR SPEED	EXTERNAL STATIC PRESSURE (IN. W.C.)									
		0.1		0.2		0.3		0.4		0.5	
		CFM	RISE	CFM	RISE	CFM	RISE	CFM	RISE	CFM	RISE
MG1E-077F1AAM1 77,000 BTU/Hr	5 - High										
	4 - Alternate										
	3 - Med-High*	1,212	47	1,178	48	1,148	50	1,114	51	1,079	53
	2 - Med-Low	996	57	960	59	924	62	885	64	848	67
	1 - Low										

MG1E-090F1AAM1											
MODEL NAME/ HEATING INPUT	MOTOR SPEED	EXTERNAL STATIC PRESSURE (IN. W.C.)									
		0.1		0.2		0.3		0.4		0.5	
		CFM	RISE	CFM	RISE	CFM	RISE	CFM	RISE	CFM	RISE
MG1E-090F1AAM1 85,000 BTU/Hr	5 - High										
	4 - Med-High										
	3 - Med-Low*	1,188	56	1,154	58	1,119	60	1,091	61	1,054	63
	2 - Alternate	1,015	66	978	68	956	70	917	73		
	1 - Low										

NOTES:

1. To comply with government mandated efficiency standards, two openings are required for airflows above 1,600 CFM.
2. Data is shown without filter.
3. Temperature rises in the table are approximate. Actual temperature rises may vary.
4. Individual cells shaded in gray indicate a temperature rise outside of the recommended range.
5. To comply with government mandated efficiency standards, speed settings shaded in gray are not allowed in HEAT mode.
6. The “**” denotes the factory heat and cool setting. If a different motor speed is needed, the appropriate wire from the “HEAT” or “COOL” tap on the control board must be connected to the desired Tap (1-5) at the motor.

Table 14. Heating Airflow (CFM) & Temperature Rise (°F)

MG1E-056F1AAM1									
MODEL NAME/ HEATING INPUT	MOTOR SPEED	EXTERNAL STATIC PRESSURE (IN. W.C.)							
		0.1	0.2	0.3	0.4	0.5	0.6	0.7	0.8
		CFM	CFM	CFM	CFM	CFM	CFM	CFM	CFM
MG1E-056F1AAM1 56,000 BTU/Hr	5 - High*	1,524	1,491	1,458	1,421	1,385	1,348	1,308	1,270
	4 - Alternate	1,199	1,160	1,122	1,080	1,037	993	946	899
	3 - Med-High	1,013	972	928	876	829	780	728	675
	2 - Med-Low	890	843	790	735	683	615	566	510
	1 - Low	798	749	695	629	442	369		

MG1E-070F1AAM1									
MODEL NAME/ HEATING INPUT	MOTOR SPEED	EXTERNAL STATIC PRESSURE (IN. W.C.)							
		0.1	0.2	0.3	0.4	0.5	0.6	0.7	0.8
		CFM	CFM	CFM	CFM	CFM	CFM	CFM	CFM
MG1E-070F1AAM1 70,000 BTU/Hr	5 - High*	1,573	1,541	1,511	1,479	1,452	1,419	1,388	1,358
	4 - Alternate	1,387	1,353	1,321	1,289	1,254	1,216	1,183	1,148
	3 - Med-High	1,212	1,178	1,148	1,114	1,079	1,036	1,005	964
	2 - Med-Low	931	886	836	782	732	670	620	565
	1 - Low	640	599	562	513	476	425		

MG1E-077F1AAM1									
MODEL NAME/ HEATING INPUT	MOTOR SPEED	EXTERNAL STATIC PRESSURE (IN. W.C.)							
		0.1	0.2	0.3	0.4	0.5	0.6	0.7	0.8
		CFM	CFM	CFM	CFM	CFM	CFM	CFM	CFM
MG1E-077F1AAM1 77,000 BTU/Hr	5 - High*	1,573	1,541	1,511	1,479	1,452	1,419	1,388	1,358
	4 - Alternate	1,333	1,300	1,268	1,236	1,201	1,162	1,129	1,093
	3 - Med-High	1,212	1,178	1,148	1,114	1,079	1,036	1,005	964
	2 - Med-Low	996	960	924	885	848	814	772	734
	1 - Low	683	642	599	540	498	451	386	

MG1E-090F1AAM1									
MODEL NAME/ HEATING INPUT	MOTOR SPEED	EXTERNAL STATIC PRESSURE (IN. W.C.)							
		0.1	0.2	0.3	0.4	0.5	0.6	0.7	0.8
		CFM	CFM	CFM	CFM	CFM	CFM	CFM	CFM
MG1E-085F1AAM1 85,000 BTU/Hr	5 - High*	1,590	1,555	1,521	1,493	1,458	1,426	1,397	1,371
	4 - Med-High	1,337	1,306	1,274	1,243	1,210	1,182	1,142	1,104
	3 - Med-Low	1,188	1,154	1,119	1,091	1,054	1,023	984	941
	2 - Alternate	1,015	978	956	917	871	834	792	740
	1 - Low	779	742	698	654	617	564	516	472

NOTES:

1. To comply with government mandated efficiency standards, two openings are required for airflows above 1,600 CFM.
2. Data is shown without filter.
3. The "*" denotes the factory heat and cool setting. If a different motor speed is needed, the appropriate wire from the "HEAT" or "COOL" tap on the control board must be connected to the desired Tap (1-5) at the motor.

Table 15. Cooling Airflow (CFM)

INSTALLATION CHECKLIST

INSTALLATION ADDRESS:		
CITY:	STATE:	
UNIT MODEL #		
UNIT SERIAL #		
Unit Installed Minimum clearances per Table 1, (page 5)?	YES	NO
INSTALLER NAME:		
CITY:	STATE:	
Has the owner's information been reviewed with the customer?	YES	NO
Has the Literature Package been left with the unit?	YES	NO

ATTENTION INSTALLERS:

It is your responsibility to know this product better than your customer. This includes being able to install the product according to strict safety guidelines and instructing the customer on how to operate and maintain the equipment for the life of the product. Safety should always be the deciding factor when installing this product and using common sense plays an important role as well. Pay attention to all safety warnings and any other special notes highlighted in the manual. Improper installation of the furnace or failure to follow safety warnings could result in serious injury, death, or property damage.

These instructions are primarily intended to assist qualified individuals experienced in the proper installation of this appliance. Some local codes require licensed installation/service personnel for this type of equipment. Please read all instructions carefully before starting the installation. Return these instructions to the customer's package for future reference.

ELECTRICAL SYSTEM		
Electrical connections tight?	YES	NO
Line voltage polarity correct?	YES	NO
Supply Voltage: _____ VOLTS		
Has the thermostat been calibrated?	YES	NO
Is the thermostat level?	YES	NO
Is the heat anticipator setting correct?	YES	NO

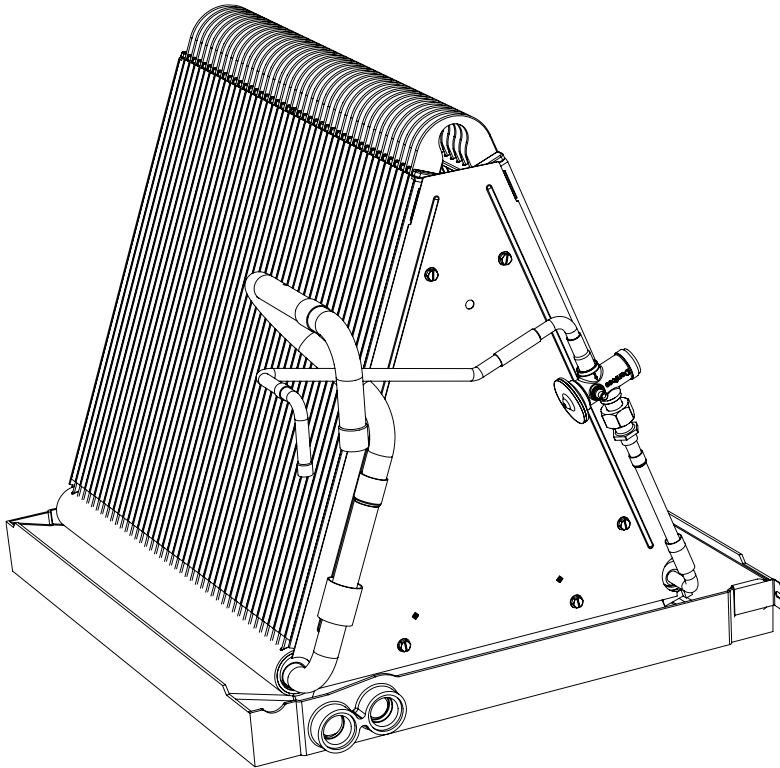
GAS SYSTEM		
Gas Type: (circle one)	Natural Gas	Propane
Gas pipe connections leak-tested?	YES	NO
Gas Line Pressure: (in - W.C.)		
Installation Altitude: (FT.)		
Deration Percentage: (%)		
Furnace Input: (Btuh)		
Supply Air Temperature: (° F)		
Return Air Temperature: (° F)		
Temperature Rise: (° F)		

COMBUSTION AIR & VENTING SYSTEM		
Is there adequate fresh air supply for combustion & ventilation?	YES	NO
Vent free from restrictions?	YES	NO
Filter(s) secured in place?	YES	NO
Filter(s) clean?	YES	NO
Flue connections tight?	YES	NO
Is there proper draft?	YES	NO



INSTALLATION INSTRUCTIONS

C84DA Series Split System Uncased Indoor Coils - Downturn



IMPORTANT

For installation only in or with a mobile home furnace, modular blower, or designated air mover that complies with HUD Manufactured Home Construction Safety Standard 24 CFR part 3280.

IMPORTANT

ATTENTION INSTALLERS:

It is your responsibility to know this product better than your customer. This includes being able to install the product according to strict safety guidelines and instructing the customer on how to operate and maintain the equipment for the life of the product. Safety should always be the deciding factor when installing this product and using common sense plays an important role as well. Pay attention to all safety warnings and any other special notes highlighted in the manual. Improper installation of the furnace or failure to follow safety warnings could result in serious injury, death, or property damage.

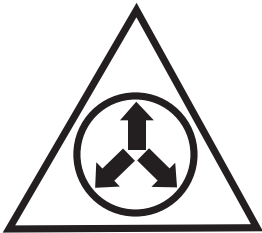
These instructions are primarily intended to assist qualified individuals experienced in the proper installation of this appliance. Some local codes require licensed installation/service personnel for this type of equipment. Please read all instructions carefully before starting the installation. Return these instructions to the customer's package for future reference.

DO NOT DESTROY. PLEASE READ CAREFULLY AND KEEP IN A SAFE PLACE FOR FUTURE REFERENCE.

IMPORTANT SAFETY INFORMATION

Please read all instructions before servicing this equipment. Pay attention to all safety warnings and any other special notes highlighted in the manual. Safety markings are used frequently throughout this manual to designate a degree or level of seriousness and should not be ignored. **WARNING** indicates a potentially hazardous situation that if not avoided, could result in personal injury or death. **CAUTION** indicates a potentially hazardous situation that if not avoided, may result in minor or moderate injury or property damage.

WARNING:



NITROGEN	
HEALTH	1
FLAMMABILITY	0
REACTIVITY	0
0 Minimal Hazard 1 Slight Hazard	

C84DA coils are pressurized with Nitrogen at the factory. Avoid direct face exposure or contact with valve when gas is escaping. Always ensure adequate ventilation is present during the depressurization process. Any uncertainties should be addressed before proceeding.

WARNING:

PROPOSITION 65 WARNING: This product contains chemicals known to the state of California to cause cancer, birth defects or other reproductive harm.

WARNING:

Improper installation, service, adjustment, or maintenance may cause explosion, fire, electrical shock or other hazardous conditions which may result in personal injury or property damage. Unless otherwise noted in these instructions, only factory authorized kits or accessories may be used with this product.

WARNING:

This unit must be installed in accordance with the instructions outlined in this manual during the installation, service, and operation of this unit. Unqualified individuals should not attempt to interpret these instructions or install this equipment. If you do not possess mechanical skills or tools, call your local dealer for assistance. Under no circumstances should the equipment owner attempt to install and/or service this equipment. Failure to follow safety recommendations could result in possible damage to the equipment, serious personal injury or death.

- The installer must comply with all local codes and regulations which govern the installation of this type of equipment. Local codes and regulations take precedence over any recommendations contained in these instructions. Consult local building codes for special installation requirements.
- Familiarize yourself with the controls that shut off the electrical power to the unit. If the unit needs to be shut down for an extended period of time, turn off electrical power at the circuit breaker. For your safety always turn off the electrical power before performing service or maintenance on the unit.
- Installation of equipment may require brazing operations. Installer must comply with safety codes and wear appropriate safety equipment (safety glasses, work gloves, fire extinguisher, etc.) when performing brazing operations.
- Read the Installation Instructions supplied with the furnace or air handler. Always observe all safety requirements outlined in this manual and on the furnace or air handler markings before installing the coil.
- Follow all precautions in the literature, on tags, and on labels provided with the equipment. Read and thoroughly understand the instructions provided with the equipment prior to performing the installation and operational checkout of the equipment.

GENERAL INFORMATION

C84DA series coils are designed for upflow or downflow applications and are equipped with down turned refrigerant connections and are ready for brazing.

- Check the coils orifice size and confirm that it's suitable for application with the intended outdoor unit. Depending on application, additional installer supplied orifice or TXV may be required.
- Optional cooling/heating equipment must be properly sized and installed in accordance with the furnace manufacturer's specifications and approved recommendations.
- Heating only furnace air circulators may have to be replaced with multi-speed Heating/Cooling blowers to upgrade the air delivery (CFM) when an add-on coil is installed. Refer to Table 1 (page 6) for coil specifications, recommended CFM, and allowances for pressure drop across the coil and filters.
- Verify that the air delivery of the furnace/air handler is adequate to handle the static pressure drop of the coil, filter, and duct work.
- If precise forming of refrigerant lines is required, a copper tubing bender is recommended. Avoid sharp bends and contact of the refrigerant lines with metal surfaces.
- Refrigerant lines should be wrapped with pressure sensitive neoprene or other suitable material where they pass against sharply edged sheet metal.
- The coil enclosure (if provided) and suction line must be insulated as needed to prevent condensate from forming and causing property damage.
- Do not remove seals from the coil until the tubing connections are ready to be made.
- Close-off plates are available in some air filter kits. Refer to the Replacement Parts List for available part numbers. Install the necessary close-off plates around the refrigerant lines and drain line where required. Reinstall all inner and outer panels of the furnace/air handler that were previously removed when installing the indoor coil.

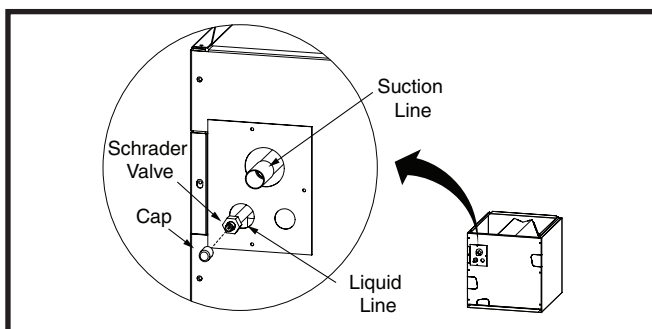


Figure 1. Suction & Liquid Line Locations

COIL INSTALLATION

⚠ WARNING:

ELECTRICAL SHOCK, FIRE OR EXPLOSION HAZARD

Failure to follow safety warnings exactly could result in serious injury or property damage.

Improper servicing could result in dangerous operation, serious injury, death or property damage.

- **Before servicing, disconnect all electrical power to the furnace and outdoor condensing unit.**
- **When servicing controls, label all wires prior to disconnecting. Reconnect wires correctly.**
- **Verify proper operation after servicing.**

⚠ CAUTION:

The coil must be level to ensure proper condensate drainage. An unlevel installation may result in structural damage, premature equipment failure, or possible personal injury.

⚠ IMPORTANT:

For installation only in or with a mobile home furnace, modular blower, or designated air mover that complies with HUD Manufactured Home Construction Safety Standard 24 CFR part 3280.

Upflow Installations

1. Disconnect all electrical power to the furnace.
2. Install the coil case on the furnace air discharge opening and level it as needed to ensure proper condensate drainage. If needed, make a plate to adapt the coil to the air discharge opening. See Figure 2 (page 6) for coil dimensions.
3. Make and install the plenum over the coil. Insulate as required.
4. Seal the enclosure as required to minimize air leakage.
5. Connect the refrigerant lines as outlined in the Refrigerant Line Connection section.

Downflow Installations

These coils may be installed in downflow applications. It is required that the furnace and coil cabinets are securely mounted together before setting in place. Fossil fuel applications require the coil to be placed in the supply air stream only.

Refrigerant Line Connections System Depressurization

1. Remove the cap (Figure 1) from the end of the liquid line.
2. Verify pressurization by depressing the Schrader valve on the end of the liquid line. Listen for any escaping gas. If there is no pressure, test the coil for leakage.
 - If leakage is found, clearly mark the location of the leak and return the coil to the distributor for processing.
 - If no leaks are found, the coil may be installed.
3. Depress the valve to relieve all pressure from the coil.

Connecting the Linesets

1. Route and cut both lineset tubes to proper length in accordance with the outdoor unit specifications. Verify the ends are round, clean, and free of any burrs.
2. Cut off the fitting on the 3/8" line of the coil. Swage as needed to fit the line set.
3. Connect the suction and liquid lineset tubes.

CAUTION:

It is recommended that a wet rag be wrapped around the suction line in front of the close off plate before applying heat. Failure to keep components cool during brazing may result in structural damage, premature equipment failure, or possible personal injury.

4. Braze the individual connections with dry nitrogen flowing through the joints. This will prevent internal oxidation and scaling from occurring.

IMPORTANT: To prevent internal oxidation and scaling from occurring, braze all connections with dry nitrogen flowing through the joints.

5. Wrap the refrigerant lines with pressure sensitive neoprene or other suitable material especially where the lines enter the opening in the sheet metal.
6. Evacuate the system of moisture and non-condensables to prevent low efficiency operation or damage to the unit. The suggested range of evacuation is 250 - 500 microns.
7. Charge the system with refrigerant. **Please Refer to the outdoor unit installation manual for additional charging instructions.**
8. Check the system for leaks, including the lineset and the brazed joints.

NOTE: Apply a soap and water solution on each joint or union with a small paintbrush. If bubbling is observed, the connection is not adequately sealed.

9. Properly dispose of all removed parts.

Condensate Drain

CAUTION:

The coil must be level to ensure proper condensate drainage. Improper condensate disposal may result in structural damage, premature equipment failure, or possible personal injury.

- Methods for disposing of condensate vary according to local codes. Refer to local codes or authority having jurisdiction for restrictions and proper condensate disposal requirements.
- All condensate pans have primary and secondary drain connections to meet FHA requirements. If the application is located in or above a living space where damage may result from condensate overflow, a separate 3/4 inch drain must be provided from the secondary drain connection and a secondary drain pan must be installed under the entire unit. Run secondary drain lines to a place where they are noticeable if used.
- The coil condensate pan is designed with 3/4" NPSC drain connections. Use a PVC or similar material fitting to attach the drain line to the pan. **NOTE:** The fitting should be hand tightened only. Overtightening may crack the drain pan and cause condensate to leak.
- The drain pan **MUST** be drained with field supplied tubing and looped to form a trap.

IMPORTANT: Failure to install a trap may result in condensation overflowing the drain pan, resulting in substantial water damage to surrounding area.

- Prime the trap with water. Insulate the drain if it is located in an unconditioned space, and test the condensate line for leaks. Consult local codes for additional restrictions or precautions.
- Route the lines to a suitable drain, avoiding sharp bends and pinching of the lines. The drain should maintain a minimum horizontal slope in the direction of discharge of not less than 1" vertical for every 10 ft of horizontal run.
- During system checkout, inspect the drain line and connections to verify proper condensate drainage.

Air Filter

Air filters are not supplied as an integral part of this coil; however, an air filter kit is available. Refer to the Replacement Parts List for available part numbers.

The filter must be installed upstream of the coil and inspected frequently. When the filter becomes clogged with dust or lint, it should be replaced (disposable type) or cleaned (washable type). It is recommended that filters be inspected and replaced at least twice during the year. Generally it is best to replace or clean the filters at the start of each heating and cooling season.

MAINTENANCE & SERVICE

WARNING:

ELECTRICAL SHOCK, FIRE OR EXPLOSION HAZARD

Failure to follow safety warnings exactly could result in serious injury or property damage.

Improper servicing could result in dangerous operation, serious injury, death or property damage.

- **Before servicing, disconnect all electrical power to the furnace and outdoor condensing unit.**
 - **When servicing controls, label all wires prior to disconnecting. Reconnect wires correctly.**
 - **Verify proper operation after servicing.**
-

CAUTION:

Do not operate the system without a suitable filter in the return air duct system. Always replace the filter with the same size and type.

To ensure optimum performance and to minimize possible equipment failure, the following maintenance tasks should be performed periodically on this equipment:

1. The air filter installed with the system should be checked and cleaned or replaced twice per year.
2. Check the coil, drain pan, and condensate drain line for cleanliness at the start of each heating and cooling season. Clean as needed.

COIL SPECIFICATIONS & DIMENSIONS

C84DA-	X24	X30	X36	X42	X43	X48	X49	X60
Nominal Capacity (BTU/hour)	24,000	30,000	36,000	42,000	42,000	48,000	48,000	60,000
Nominal Airflow (CFM)	800	1,000	1,200	1,400	1,400	1,600	1,600	2,000
W - Width (in.)	18 1/8	18 1/8	18 1/8	18 1/8	18 1/8	18 1/8	18 1/8	18 1/8
H - Height (in.)	18	18	18	18	25	25	29	29
D - Depth (in.)	19 1/2	19 1/2	19 1/2	19 1/2	19 1/2	19 1/2	19 1/2	19 1/2
Connection - Liquid Line (in.)	3/8	3/8	3/8	3/8	3/8	3/8	3/8	3/8
Connection - Suction Line (in.)	3/4	3/4	3/4	7/8	7/8	7/8	7/8	7/8

NOTES:

1. Individual restrictors are available by part number - PN 664*** (where *** represents the size).
Example: 664103 is a restrictor 0.103 in diameter.
2. Refer to sales specification sheets for Listed/Certified combinations of equipment and required accessories.
3. Refer to the current AHRI directory for certified ratings of split systems.

Table 1. Coil Specifications

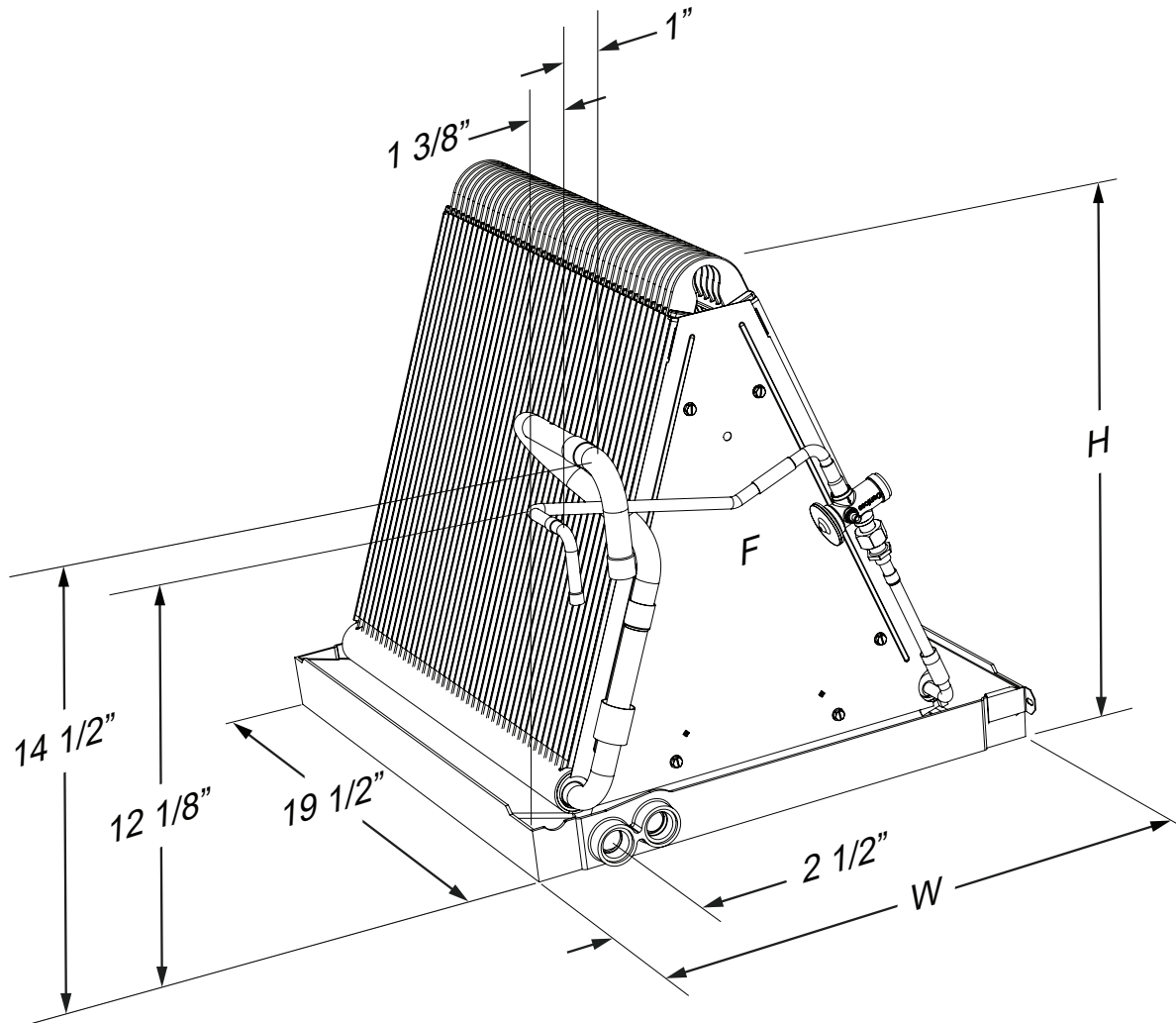


Figure 2. C84DA Coil Dimensions

**INSTALLER: PLEASE LEAVE THESE
INSTRUCTIONS WITH THE EQUIPMENT OWNER.**

