



Indoor Comfort Products Brought to You  
by the Manufactured Home Experts!

## Heat Pump Sweat Fit MC-Coil Split Systems (SEER2)



Micro-Channel Condenser

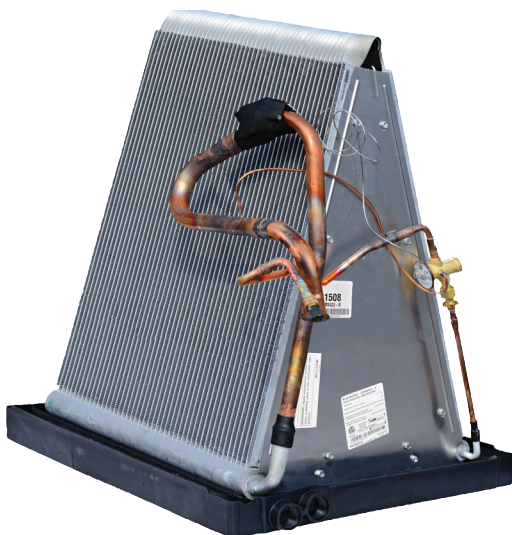
**Robust Post and Jacket Design** has independent louvered panels that are easily removed for service and maintenance, while protecting the coil from yard debris and extreme weather.

**Corner-Post Packaging** creates a gap around the entire unit, distributes the load evenly, and minimizes contact with the carton; so the unit arrives safely to your customer.

**Micro-Channel Coils** minimize refrigerant charge and cost; while mounted on a rugged, composite drain pan with damage-preventing molded steps and drainage holes, in a single competitive footprint.

**2023-MI DOE Compliance** for new performance minimums and unique MH testing standards, exclusively designed and labelled for use in manufactured homes.

**Dependable Warranty** handled directly by Style Crest's dedicated HVAC Team, offering the most competitive warranty coverage and service in the Manufactured Housing Industry.



Micro-Channel Coil



Coil Accessory Kit



Sweat Fit Line Set



[www.stylecrestinc.com](http://www.stylecrestinc.com) | 800.945.4440

# Heat Pump Sweat Fit MC-Coil Split Systems (SEER2)

Nominal Tons <sup>1</sup>	Style Crest Item #	AHRI Model #	Cooling Capacity	SEER2	EER2	Heating Capacity	HSPF2	R-410A Charge	MCA	MOP	Sound
2	RSH3ME4MIRP24	RSH3ME4MIRP24K	23.4 MBH	14.3	11.8	23.4 MBH	7.5	103 Oz	12.4	<b>20 A</b>	75 dB
2.5	RSH3ME4MIRP30	RSH3ME4MIRP30K	30 MBH	14.3	11.8	30 MBH	7.5	106 Oz	15	25 A	75 dB
3	RSH3ME4MISP36	RSH3ME4MISP36K	34 MBH	14.3	11.8	35.4 MBH	7.5	108 Oz	18.7	30 A	75 dB
3.5	RSH3ME4MISP42	RSH3ME4MISP42K	39 MBH	14.3	11.8	41 MBH	7.5	119 Oz	23.6	40 A	79 dB
4	RSH3ME4MISP48	RSH3ME4MISP48K	44.5 MBH	14.3	11.8	46.5 MBH	7.5	130 Oz	26.3	<b>40 A</b>	79 dB

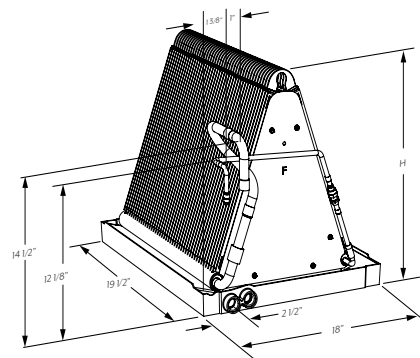
1) Refer to AHRI listings for actual capacities and performance data.

Nom. Tons <sup>1</sup>	Style Crest Item #	Item Width	Item Depth	Item Height	Minimum Pad Size	Liquid Line $\phi$	Suction Line $\phi$	Ship Width	Ship Depth	Ship Height	Ship Weight	UPC/GTIN
2	RSH3ME4MIRP24	31 3/4"	31 3/4"	37 1/4"	32" x 32"	3/8"	3/4"	35 1/2"	35 1/2"	38 3/4"	125 lbs	663132453061
2.5	RSH3ME4MIRP30	31 3/4"	31 3/4"	45 1/4"	32" x 32"	3/8"	3/4"	35 1/2"	35 1/2"	46 3/4"	165 lbs	663132453047
3	RSH3ME4MISP36	31 3/4"	31 3/4"	45 1/4"	32" x 32"	3/8"	3/4" <sup>2</sup>	35 1/2"	35 1/2"	46 3/4"	169 lbs	663132453023
3.5	RSH3ME4MISP42	31 3/4"	31 3/4"	45 1/4"	32" x 32"	3/8"	7/8"	35 1/2"	35 1/2"	46 3/4"	201 lbs	663132452507
4	RSH3ME4MISP48	31 3/4"	31 3/4"	45 1/4"	32" x 32"	3/8"	7/8"	35 1/2"	35 1/2"	46 3/4"	218 lbs	663132452484

2) Line set vapor line increases to 7/8" over **39 ft** equivalent length.

## Micro-Channel Indoor (Evaporator) A-Coil Matches with TXV

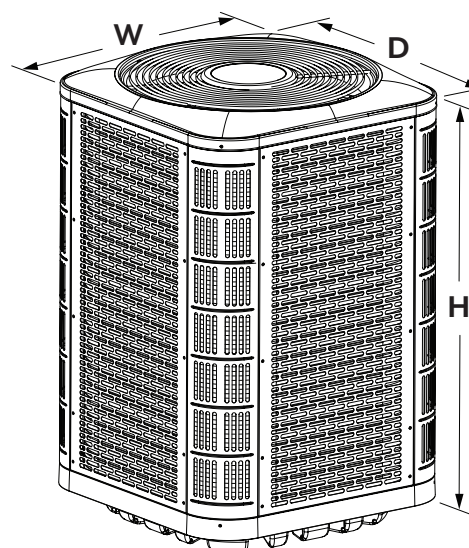
Nom. Tons <sup>1</sup>	Condenser Item #	Indoor Coil Item #	AHRI Cert. #	Coil Height	Min. Coil Box Ht.
2	RSH3ME4MIRP24	C84DAMX24U-B	209851996	18"	20"
2.5	RSH3ME4MIRP30	C84DAMX30U-B	209851997	18"	20"
3	RSH3ME4MISP36	C84DAMX36U-B	209851998	18"	20"
3.5	RSH3ME4MISP42	C84DAMX43U-B	209851999	25"	26"
4	RSH3ME4MISP48 <sup>3</sup>	C84DAMX49U-B <sup>3</sup>	210589004 <sup>3</sup>	29"	31"



3) REQUIRES an E7\* furnace model with high-static blower #1044062.

## Sweat Fit Line Sets

Primary Item #	Alternate Item #	Line Length	Liquid Line $\phi$	Suction Line $\phi$	Suction Insulation
6463S2041	N/A	20 ft	3/8"	3/4"	1/2"
13S7525	6463S2541	25 ft	3/8"	3/4"	1/2"
13S7530	6463S3041	30 ft	3/8"	3/4"	1/2"
13S7550	6463S5041	50 ft	3/8"	3/4"	1/2"
6473S2041	N/A	20 ft	3/8"	7/8"	1/2"
13S7825	6473S2541	25 ft	3/8"	7/8"	1/2"
13S7830	6473S3041	30 ft	3/8"	7/8"	1/2"
13S7850	6473S5041	50 ft	3/8"	7/8"	1/2"



Note: A furnace blower upgrade and/or time delay relay-TDR may be required to achieve the published AHRI-rated performance.