



Indoor Comfort Products Brought to You
by the Manufactured Home Experts!

Heat Pump Sweat Fit MC-Coil Split Systems (SEER2)



Micro-Channel Condenser

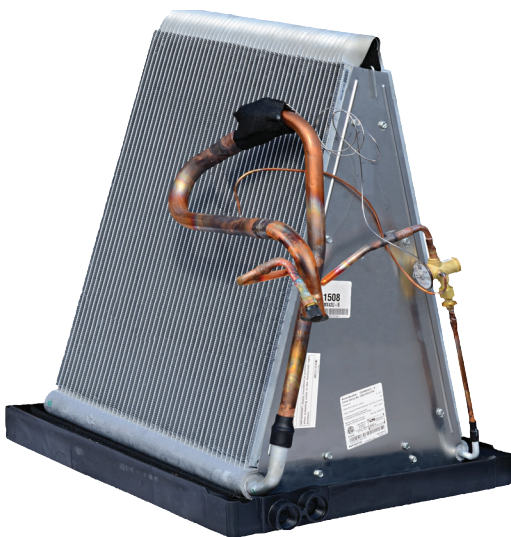
Robust Post and Jacket Design has independent louvered panels that are easily removed for service and maintenance, while protecting the coil from yard debris and extreme weather.

Corner-Post Packaging creates a gap around the entire unit, distributes the load evenly, and minimizes contact with the carton; so the unit arrives safely to your customer.

Micro-Channel Coils minimize refrigerant charge and cost; while mounted on a rugged, composite drain pan with damage-preventing molded steps and drainage holes, in a single competitive footprint.

2023-M1 DOE Compliance for new performance minimums and unique MH testing standards, exclusively designed and labelled for use in manufactured homes.

Dependable Warranty handled directly by Style Crest's dedicated HVAC Team, offering the most competitive warranty coverage and service in the Manufactured Housing Industry.



Micro-Channel Coil



Coil Accessory Kit



Sweat Fit Line Set



www.stylecrestinc.com | 800.945.4440

Heat Pump Sweat Fit MC-Coil Split Systems (SEER2)

Nominal Tons ¹	Style Crest Item #	AHRI Model #	Cooling Capacity	SEER2	EER2	Heating Capacity	HSPF2	R-410A Charge	MCA	MOP	Sound
2	RSH3ME4MIRP24	RSH3ME4MIRP24K	23.4 MBH	14.3	11.8	23.4 MBH	7.5	103 Oz	12.4	20 A	75 dB
2.5	RSH3ME4MIRP30	RSH3ME4MIRP30K	30 MBH	14.3	11.8	30 MBH	7.5	106 Oz	15	25 A	75 dB
3	RSH3ME4MISP36	RSH3ME4MISP36K	34 MBH	14.3	11.8	35.4 MBH	7.5	108 Oz	18.7	30 A	75 dB
3.5	RSH3ME4MISP42	RSH3ME4MISP42K	39 MBH	14.3	11.8	41 MBH	7.5	119 Oz	23.6	40 A	79 dB
4	RSH3ME4MISP48	RSH3ME4MISP48K	44.5 MBH	14.3	11.8	46.5 MBH	7.5	130 Oz	26.3	40 A	79 dB

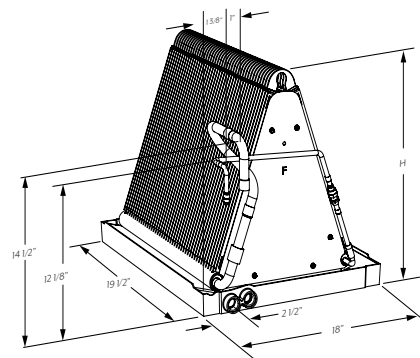
1) Refer to AHRI listings for actual capacities and performance data.

Nom. Tons ¹	Style Crest Item #	Item Width	Item Depth	Item Height	Minimum Pad Size	Liquid Line ϕ	Suction Line ϕ	Ship Width	Ship Depth	Ship Height	Ship Weight	UPC/GTIN
2	RSH3ME4MIRP24	31 3/4"	31 3/4"	37 1/4"	32" x 32"	3/8"	3/4"	35 1/2"	35 1/2"	38 3/4"	125 lbs	663132453061
2.5	RSH3ME4MIRP30	31 3/4"	31 3/4"	45 1/4"	32" x 32"	3/8"	3/4"	35 1/2"	35 1/2"	46 3/4"	165 lbs	663132453047
3	RSH3ME4MISP36	31 3/4"	31 3/4"	45 1/4"	32" x 32"	3/8"	3/4" ²	35 1/2"	35 1/2"	46 3/4"	169 lbs	663132453023
3.5	RSH3ME4MISP42	31 3/4"	31 3/4"	45 1/4"	32" x 32"	3/8"	7/8"	35 1/2"	35 1/2"	46 3/4"	201 lbs	663132452507
4	RSH3ME4MISP48	31 3/4"	31 3/4"	45 1/4"	32" x 32"	3/8"	7/8"	35 1/2"	35 1/2"	46 3/4"	218 lbs	663132452484

2) Line set vapor line increases to 7/8" over **39 ft** equivalent length.

Micro-Channel Indoor (Evaporator) A-Coil Matches with TXV

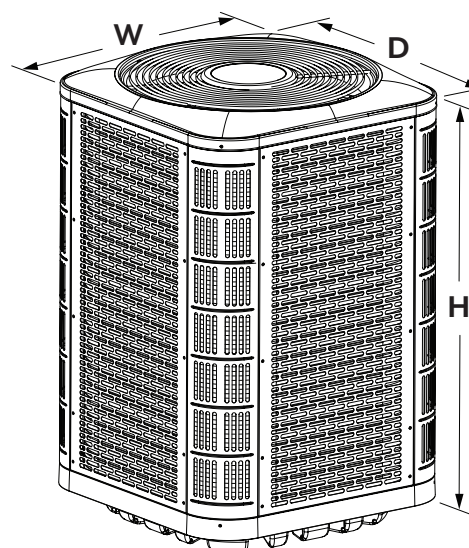
Nom. Tons ¹	Condenser Item #	Indoor Coil Item #	AHRI Cert. #	Coil Height	Min. Coil Box Ht.
2	RSH3ME4MIRP24	C84DAMX24U-B	209851996	18"	20"
2.5	RSH3ME4MIRP30	C84DAMX30U-B	209851997	18"	20"
3	RSH3ME4MISP36	C84DAMX36U-B	209851998	18"	20"
3.5	RSH3ME4MISP42	C84DAMX43U-B	209851999	25"	26"
4	RSH3ME4MISP48 ³	C84DAMX49U-B ³	210589004 ³	29"	31"



3) REQUIRES an E7* furnace model with high-static blower #1044062.

Sweat Fit Line Sets

Primary Item #	Alternate Item #	Line Length	Liquid Line ϕ	Suction Line ϕ	Suction Insulation
6463S2041	N/A	20 ft	3/8"	3/4"	1/2"
13S7525	6463S2541	25 ft	3/8"	3/4"	1/2"
13S7530	6463S3041	30 ft	3/8"	3/4"	1/2"
13S7550	6463S5041	50 ft	3/8"	3/4"	1/2"
6473S2041	N/A	20 ft	3/8"	7/8"	1/2"
13S7825	6473S2541	25 ft	3/8"	7/8"	1/2"
13S7830	6473S3041	30 ft	3/8"	7/8"	1/2"
13S7850	6473S5041	50 ft	3/8"	7/8"	1/2"



Note: A furnace blower upgrade and/or time delay relay-TDR may be required to achieve the published AHRI-rated performance.