



Indoor Comfort Products Brought to You
by the Manufactured Home Experts!

South-AC Sweat Fit Split Systems (SEER2)



Micro-Channel Condenser

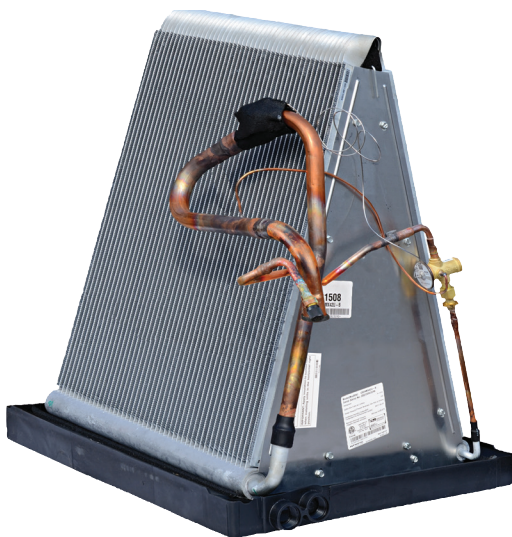
Robust Post and Jacket Design has independent louvered panels that are easily removed for service and maintenance, while protecting the coil from yard debris and extreme weather.

Corner-Post Packaging creates a gap around the entire unit, distributes the load evenly, and minimizes contact with the carton; so the unit arrives safely to your customer.

Micro-Channel Coils minimize refrigerant charge and cost; while mounted on a rugged, composite drain pan with damage-preventing molded steps and drainage holes, in a single competitive footprint.

All DOE Regions can use these same condensers for simplified stocking approach throughout your entire distribution and installation networks.

Dependable Warranty handled directly by Style Crest's dedicated HVAC Team, offering the most competitive warranty coverage and service in the Manufactured Housing Industry.



Micro-Channel Coil



Coil Accessory Kit



Sweat Fit Line Set



www.stylecrestinc.com | 800.945.4440

South-AC Sweat Fit Split Systems (SEER2)

Nominal Tons ¹	Style Crest Item #	AHRI Model #	Cooling Capacity	SEER2	EER2	R-410A Charge	MCA	MOP	Sound
2	RSA3ME4MIRN24	RSA3ME4MIRN24K	23.4 MBH	14.3	11.7	68 Oz	12.4	20 A	75 dB
2.5	RSA3ME4MIRN30	RSA3ME4MIRN30K	28.4 MBH	14.3	11.7	74 Oz	15.7	25 A	75 dB
3	RSA3ME4MISN36	RSA3ME4MISN36K	35 MBH	14.3	11.7	69 Oz	17.2	30 A	75 dB
3.5	RSA3ME4MISN42	RSA3ME4MISN42K	39.5 MBH	14.3	11.7	84 Oz	23.5	40 A	79 dB
4	RSA3ME4MISN48	RSA3ME4MISN48K	45 MBH	13.8	11.2	83 Oz	26.2	45 A	79 dB

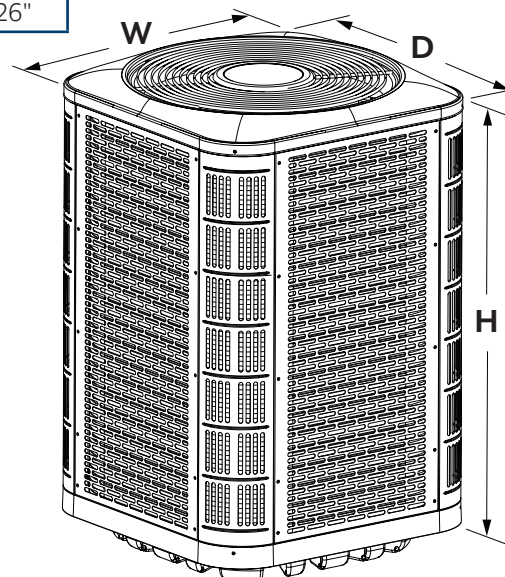
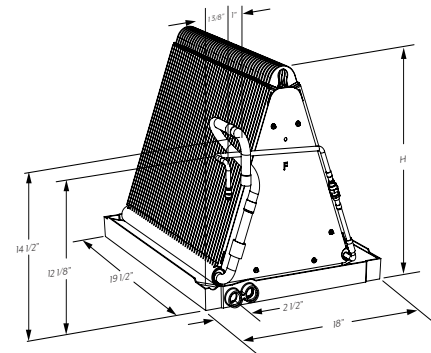
1) Refer to AHRI listings for actual capacities and performance data.

Nom. Tons ¹	Style Crest Item #	Item Width	Item Depth	Item Height	Minimum Pad Size	Liquid Line ϕ	Suction Line ϕ	Ship Width	Ship Depth	Ship Height	Ship Weight	UPC/GTIN
2	RSA3ME4MIRN24	31 3/4"	31 3/4"	29 1/4"	32" x 32"	3/8"	3/4"	35 1/2"	35 1/2"	30 3/4"	152 lbs	663132442270
2.5	RSA3ME4MIRN30	31 3/4"	31 3/4"	33 1/4"	32" x 32"	3/8"	3/4"	35 1/2"	35 1/2"	34 3/4"	161 lbs	663132442287
3	RSA3ME4MISN36	31 3/4"	31 3/4"	33 1/4"	32" x 32"	3/8"	3/4" ²	35 1/2"	35 1/2"	34 3/4"	167 lbs	663132442294
3.5	RSA3ME4MISN42	31 3/4"	31 3/4"	41 1/4"	32" x 32"	3/8"	7/8"	35 1/2"	35 1/2"	42 3/4"	205 lbs	663132442300
4	RSA3ME4MISN48	31 3/4"	31 3/4"	41 1/4"	32" x 32"	3/8"	7/8"	35 1/2"	35 1/2"	42 3/4"	205 lbs	663132442317

2) Line set vapor line increases to 7/8" over 24 ft equivalent length.

Micro-Channel Indoor (Evaporator) A-Coil Matches with TXV

Nom. Tons ¹	Condenser Item #	Indoor Coil Item #	AHRI Cert. #	Coil Height	Min. Coil Box Ht.
2	RSA3ME4MIRN24	C84DAMX24U-B	208404143	18"	20"
2.5	RSA3ME4MIRN30	C84DAMX30U-B	208404144	18"	20"
3	RSA3ME4MISN36	C84DAMX36U-B	208404147	18"	20"
3.5	RSA3ME4MISN42	C84DAMX42U-B	208404145	18"	20"
4	RSA3ME4MISN48	C84DAMX48U-B	208404146	25"	26"



Sweat Fit Line Sets

Primary Item #	Alternate Item #	Line Length	Liquid Line ϕ	Suction Line ϕ	Suction Insulation
N/A	6463S2041	20 ft	3/8"	3/4"	1/2"
13S7525	6463S2541	25 ft	3/8"	3/4"	1/2"
13S7530	6463S3041	30 ft	3/8"	3/4"	1/2"
13S7550	6463S5041	50 ft	3/8"	3/4"	1/2"
N/A	6473S2041	20 ft	3/8"	7/8"	1/2"
13S7825	6473S2541	25 ft	3/8"	7/8"	1/2"
13S7830	6473S3041	30 ft	3/8"	7/8"	1/2"
13S7850	6473S5041	50 ft	3/8"	7/8"	1/2"

Note: A furnace blower upgrade and/or time delay relay-TDR may be required to achieve the published AHRI-rated performance.