



Indoor Comfort Products Brought to You  
by the Manufactured Home Experts!

## North-AC Sweat Fit MC-Coil Split Systems (SEER2)



Micro-Channel Condenser

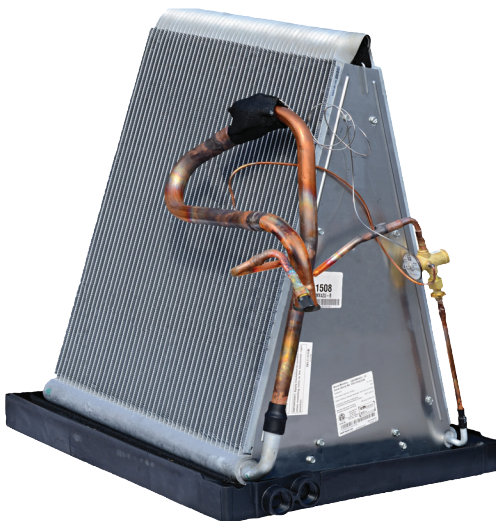
**Robust Post and Jacket Design** has independent louvered panels that are easily removed for service and maintenance, while protecting the coil from yard debris and extreme weather.

**Corner-Post Packaging** creates a gap around the entire unit, distributes the load evenly, and minimizes contact with the carton; so the unit arrives safely to your customer.

**Micro-Channel Coils** minimize refrigerant charge and cost; while mounted on a rugged, composite drain pan with damage-preventing molded steps and drainage holes, in two competitive footprints.

**2023-MI DOE Compliance** for new performance minimums and unique MH testing standards, exclusively designed and labelled for use in manufactured home applications.

**Dependable Warranty** handled directly by Style Crest's dedicated HVAC Team, offering the most competitive warranty coverage and service in the Manufactured Housing Industry.



Micro-Channel Coil



Coil Accessory Kit



Sweat Fit Line Set

**13.4 SEER2 split systems can only be installed in the Northern DOE Region after 12/31/2022.**



www.stylecrestinc.com | 800.945.4440

# North-AC Sweat Fit MC-Coil Split Systems (SEER2)

| Nominal Tons <sup>1</sup> | Style Crest Item # | AHRI Model #   | Cooling Capacity | SEER2 | EER2 | R-410A Charge | MCA  | MOP         | Sound |
|---------------------------|--------------------|----------------|------------------|-------|------|---------------|------|-------------|-------|
| 2                         | RSA3MD4MIRN24      | RSA3MD4MIRN24K | 23 MBH           | 13.4  | 11.0 | 67 Oz         | 12.2 | <b>20 A</b> | 74 dB |
| 2.5                       | RSA3MD4MIRN30      | RSA3MD4MIRN30K | 29 MBH           | 13.4  | 11.0 | 72 Oz         | 14.7 | <b>25 A</b> | 75 dB |
| 3                         | RSA3MD4MISN36      | RSA3MD4MISN36K | 34.8 MBH         | 13.4  | 11.0 | 65 Oz         | 17.7 | <b>30 A</b> | 74 dB |
| 3.5                       | RSA3MD4MISN42      | RSA3MD4MISN42K | 40 MBH           | 13.4  | 11.0 | 71 Oz         | 24.7 | 40 A        | 79 dB |
| 4                         | RSA3MD4MISN48      | RSA3MD4MISN48K | 45.5 MBH         | 13.4  | 11.0 | 74 Oz         | 32.7 | <b>40 A</b> | 79 dB |

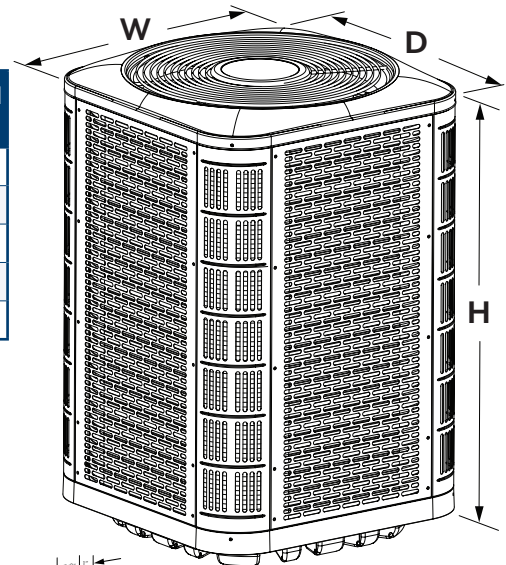
1) Refer to AHRI listings for actual capacities and performance data.

| Nom. Tons <sup>1</sup> | Style Crest Item # | Item Width | Item Depth | Item Height | Minimum Pad Size | Liquid Line $\phi$ | Suction Line $\phi$ | Ship Width | Ship Depth | Ship Height | Ship Weight | UPC/GTIN     |
|------------------------|--------------------|------------|------------|-------------|------------------|--------------------|---------------------|------------|------------|-------------|-------------|--------------|
| 2                      | RSA3MD4MIRN24      | 23 3/4"    | 23 3/4"    | 28 1/2"     | 24" x 24"        | 3/8"               | 3/4"                | 27 1/2"    | 27 1/2"    | 30 3/4"     | 115 lbs     | 663132448883 |
| 2.5                    | RSA3MD4MIRN30      | 23 3/4"    | 23 3/4"    | 36 1/2"     | 24" x 24"        | 3/8"               | 3/4"                | 27 1/2"    | 27 1/2"    | 38 3/4"     | 131 lbs     | 663132448869 |
| 3                      | RSA3MD4MISN36      | 23 3/4"    | 23 3/4"    | 36 1/2"     | 24" x 24"        | 3/8"               | 3/4" <sup>2</sup>   | 27 1/2"    | 27 1/2"    | 38 3/4"     | 133 lbs     | 663132448845 |
| 3.5                    | RSA3MD4MISN42      | 31 3/4"    | 31 3/4"    | 29 1/4"     | 32" x 32"        | 3/8"               | 7/8"                | 35 1/2"    | 35 1/2"    | 30 3/4"     | 174 lbs     | 663132448821 |
| 4                      | RSA3MD4MISN48      | 31 3/4"    | 31 3/4"    | 33 1/4"     | 32" x 32"        | 3/8"               | 7/8"                | 35 1/2"    | 35 1/2"    | 34 3/4"     | 179 lbs     | 663132448807 |

2) Line set vapor line increases to 7/8" over 24 ft equivalent length.

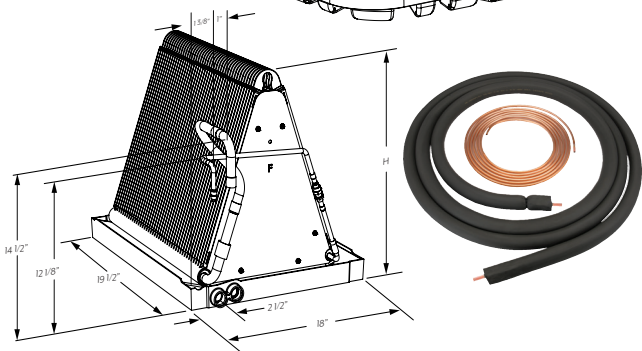
## Micro-Channel Indoor (Evaporator) A-Coil Matches with TXV

| Nom. Tons <sup>1</sup> | Condenser Item # | Indoor Coil Item # | AHRI Cert. # | Coil Height | Min. Coil Box Ht. |
|------------------------|------------------|--------------------|--------------|-------------|-------------------|
| 2                      | RSA3MD4MIRN24    | C84DAMX24U-B       | 209439705    | 18"         | 20"               |
| 2.5                    | RSA3MD4MIRN30    | C84DAMX30U-B       | 209439706    | 18"         | 20"               |
| 3                      | RSA3MD4MISN36    | C84DAMX36U-B       | 209439707    | 18"         | 20"               |
| 3.5                    | RSA3MD4MISN42    | C84DAMX42U-B       | 209439708    | 18"         | 20"               |
| 4                      | RSA3MD4MISN48    | C84DAMX48U-B       | 209439709    | 25"         | 26"               |



## Sweat Fit Line Sets

| Primary Item # | Alternate Item # | Line Length | Liquid Line $\phi$ | Suction Line $\phi$ | Suction Insulation |
|----------------|------------------|-------------|--------------------|---------------------|--------------------|
| N/A            | 6463S2041        | 20 ft       | 3/8"               | 3/4"                | 1/2"               |
| 13S7525        | 6463S2541        | 25 ft       | 3/8"               | 3/4"                | 1/2"               |
| 13S7530        | 6463S3041        | 30 ft       | 3/8"               | 3/4"                | 1/2"               |
| 13S7550        | 6463S5041        | 50 ft       | 3/8"               | 3/4"                | 1/2"               |
| N/A            | 6473S2041        | 20 ft       | 3/8"               | 7/8"                | 1/2"               |
| 13S7825        | 6473S2541        | 25 ft       | 3/8"               | 7/8"                | 1/2"               |
| 13S7830        | 6473S3041        | 30 ft       | 3/8"               | 7/8"                | 1/2"               |
| 13S7850        | 6473S5041        | 50 ft       | 3/8"               | 7/8"                | 1/2"               |



Note: A furnace blower upgrade and/or time delay relay-TDR may be required to achieve the published AHRI-rated performance.